



**LG Digital Signage**  
(MONITOR SIGNAGE)

**Affichage dynamique numérique LG**  
(MONITEUR DE SIGNALISATION)

**Señalización digital LG**  
(MONITOR DE SEÑALIZACIÓN)

32SM5D    43SM5D    49SM5D    55SM5D    65SM5D  
32SM5KD    43SM5KD    49SM5KD    55SM5KD    65SM5KD  
43SM3D    49SM3D    55SM3D

**ENGLISH Easy Setup Guide**

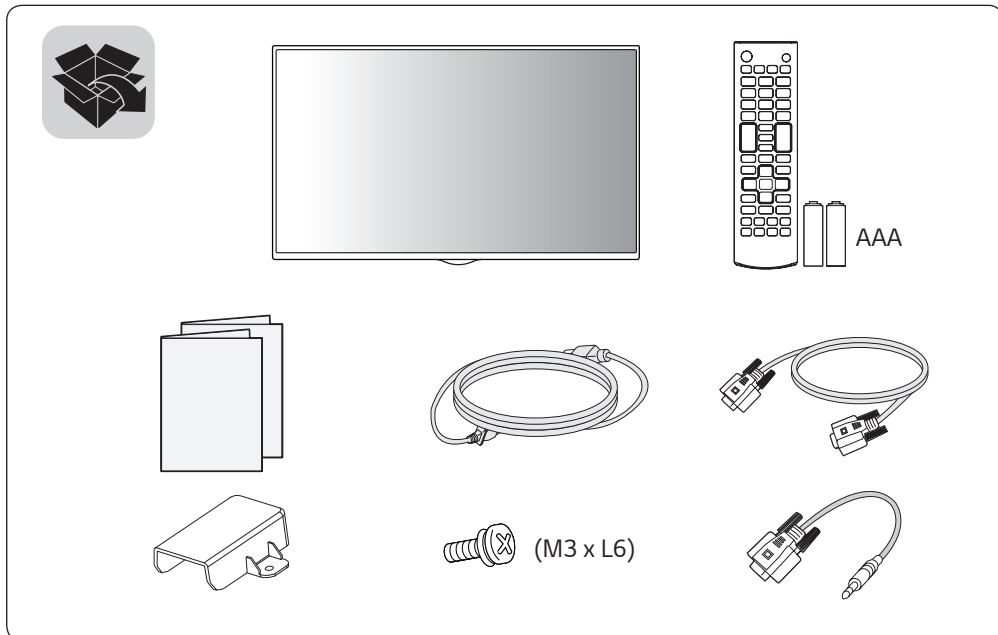
Please read this manual carefully before operating your set and retain it for future reference.

**FRANÇAIS Guide de configuration rapide**

Veillez lire ce manuel attentivement avant d'utiliser l'appareil et conservez-le pour pouvoir vous y reporter ultérieurement.

**ESPAÑOL Guía Rápida**

Lea atentamente este manual antes de poner en marcha el equipo y consérvelo para futuras consultas.



P/No: MFL69868302 (1704-REV00)

Printed in Korea

**English**

You can download the web manuals for this product at the following websites. (Keyword : SM5D, SM3D, SM5KD)

**Français**

Vous pouvez télécharger en ligne les guides pour ce produit à partir des sites Web suivants. (Mot-clé : SM5D, SM3D, SM5KD)

**Español**

Puede descargar los manuales web de este producto en los siguientes sitios web. (Palabra clave : SM5D, SM3D, SM5KD)

• [www.lg.com](http://www.lg.com)



SuperSign : <http://partner.lge.com>

**WARNING:** This product contains chemicals known to the State of California to cause cancer and birth defects or other reproductive harm. ***Wash hands after handling.***



## English

Dimensions (Width x Height x Depth) / Weight	32SM5D	Head	729.4 mm x 428.9 mm x 55.5 mm / 5.2 kg (28.7 inches x 16.8 inches x 2.1 inches / 11.4 lbs)
		Head + Stand	729.4 mm x 481 mm x 154.2 mm / 6 kg (28.7 inches x 18.9 inches x 6.0 inches / 13.2 lbs)
		Head + Speaker	729.4 mm x 428.9 mm x 95.7 mm / 5.7 kg (28.7 inches x 16.8 inches x 3.7 inches / 12.5 lbs)
		Head + Speaker + Stand	729.4 mm x 481 mm x 154.2 mm / 6.5 kg (28.7 inches x 18.9 inches x 6.0 inches / 14.3 lbs)
	43SM5D/ 43SM3D	Head	969.6 mm x 563.9 mm x 38.6 mm / 9.8 kg (38.1 inches x 22.2 inches x 1.5 inches / 21.6 lbs)
		Head + Stand	969.6 mm x 622.2 mm x 193 mm / 12.3 kg (38.1 inches x 24.4 inches x 7.5 inches / 27.1 lbs)
		Head + Speaker	969.6 mm x 563.9 mm x 67.9 mm / 10.3 kg (38.1 inches x 22.2 inches x 2.6 inches / 22.7 lbs)
		Head + Speaker + Stand	969.6 mm x 622.2 mm x 193 mm / 12.8 kg (38.1 inches x 24.4 inches x 7.5 inches / 28.2 lbs)
	49SM5D/ 49SM3D	Head	1102.2 mm x 638.5 mm x 38.6 mm / 14.1 kg (43.3 inches x 25.1 inches x 1.5 inches / 31.0 lbs)
		Head + Stand	1102.2 mm x 696.8 mm x 219.6 mm / 17.4 kg (43.3 inches x 27.4 inches x 8.6 inches / 38.3 lbs)
		Head + Speaker	1102.2 mm x 638.5 mm x 67.9 mm / 14.6 kg (43.3 inches x 25.1 inches x 2.6 inches / 32.1 lbs)
		Head + Speaker + Stand	1102.2 mm x 696.8 mm x 219.6 mm / 17.9 kg (43.3 inches x 27.4 inches x 8.6 inches / 39.4 lbs)
	55SM5D/ 55SM3D	Head	1238 mm x 714.9 mm x 38.6 mm / 17.3 kg (48.7 inches x 28.1 inches x 1.5 inches / 38.1 lbs)
		Head + Stand	1238 mm x 773.4 mm x 219.6 mm / 20.6 kg (48.7 inches x 30.4 inches x 8.6 inches / 45.4 lbs)
		Head + Speaker	1238 mm x 714.9 mm x 67.9 mm / 17.8 kg (48.7 inches x 28.1 inches x 2.6 inches / 39.2 lbs)
		Head + Speaker + Stand	1238 mm x 773.4 mm x 219.6 mm / 21.1 kg (48.7 inches x 30.4 inches x 8.6 inches / 46.5 lbs)
65SM5D	Head	1456.9 mm x 838 mm x 41.1 mm / 27.7 kg (57.3 inches x 32.9 inches x 1.6 inches / 61.0 lbs)	
	Head + Stand	1456.9 mm x 898.1 mm x 293.7 mm / 32.9 kg (57.3 inches x 35.3 inches x 11.5 inches / 72.5 lbs)	
	Head + Speaker	1456.9 mm x 838 mm x 70.4 mm / 28.2 kg (57.3 inches x 32.9 inches x 2.7 inches / 62.1 lbs)	
	Head + Speaker + Stand	1456.9 mm x 898.1 mm x 293.7 mm / 33.4 kg (57.3 inches x 35.3 inches x 11.5 inches / 73.6 lbs)	

Dimensions (Width x Height x Depth) / Weight	32SM5KD	Head	729.4 mm x 428.9 mm x 55.5 mm / 5.4 kg (28.7 inches x 16.8 inches x 2.1 inches / 11.9 lbs)
		Head + Stand	729.4 mm x 481 mm x 154.2 mm / 6.2 kg (28.7 inches x 18.9 inches x 6.0 inches / 13.6 lbs)
	43SM5KD	Head	969.6 mm x 563.9 mm x 54 mm / 10.0 kg (38.1 inches x 22.2 inches x 2.1 inches / 22.0 lbs)
		Head + Stand	969.6 mm x 622.2 mm x 193 mm / 12.5 kg (38.1 inches x 24.4 inches x 7.5 inches / 27.5 lbs)
	49SM5KD	Head	1102.2 mm x 638.5 mm x 54 mm / 14.3 kg (43.3 inches x 25.1 inches x 2.1 inches / 31.5 lbs)
		Head + Stand	1102.2 mm x 696.8 mm x 219.6 mm / 17.6 kg (43.3 inches x 27.4 inches x 8.6 inches / 38.8 lbs)
	55SM5KD	Head	1238 mm x 714.9 mm x 54 mm / 17.5 kg (48.7 inches x 28.1 inches x 2.1 inches / 38.5 lbs)
		Head + Stand	1238 mm x 773.4 mm x 219.6 mm / 20.8 kg (48.7 inches x 30.4 inches x 8.6 inches / 45.8 lbs)
	65SM5KD	Head	1456.9 mm x 838 mm x 56.5 mm / 27.9 kg (57.3 inches x 32.9 inches x 2.2 inches / 61.5 lbs)
		Head + Stand	1456.9 mm x 898.1 mm x 293.7 mm / 33.1 kg (57.3 inches x 35.3 inches x 11.5 inches / 72.9 lbs)

## Français

Dimensions (largeur x hauteur x profondeur) / Poids	32SM5D	Ecran	729,4 mm x 428,9 mm x 55,5 mm / 5,2 kg (28,7 po x 16,8 po x 2,1 po / 11,4 lb)
		Ecran + socle	729,4 mm x 481 mm x 154,2 mm / 6 kg (28,7 po x 18,9 po x 6,0 po / 13,2 lb)
		Ecran + enceintes	729,4 mm x 428,9 mm x 95,7 mm / 5,7 kg (28,7 po x 16,8 po x 3,7 po / 12,5 lb)
		Ecran + enceintes + socle	729,4 mm x 481 mm x 154,2 mm / 6,5 kg (28,7 po x 18,9 po x 6,0 po / 14,3 lb)
	43SM5D/ 43SM3D	Ecran	969,6 mm x 563,9 mm x 38,6 mm / 9,8 kg (38,1 po x 22,2 po x 1,5 po / 21,6 lb)
		Ecran + socle	969,6 mm x 622,2 mm x 193 mm / 12,3 kg (38,1 po x 24,4 po x 7,5 po / 27,1 lb)
		Ecran + enceintes	969,6 mm x 563,9 mm x 67,9 mm / 10,3 kg (38,1 po x 22,2 po x 2,6 po / 22,7 lb)
		Ecran + enceintes + socle	969,6 mm x 622,2 mm x 193 mm / 12,8 kg (38,1 po x 24,4 po x 7,5 po / 28,2 lb)
	49SM5D/ 49SM3D	Ecran	1102,2 mm x 638,5 mm x 38,6 mm / 14,1 kg (43,3 po x 25,1 po x 1,5 po / 31,0 lb)
		Ecran + socle	1102,2 mm x 696,8 mm x 219,6 mm / 17,4 kg (43,3 po x 27,4 po x 8,6 po / 38,3 lb)
		Ecran + enceintes	1102,2 mm x 638,5 mm x 67,9 mm / 14,6 kg (43,3 po x 25,1 po x 2,6 po / 32,1 lb)
		Ecran + enceintes + socle	1102,2 mm x 696,8 mm x 219,6 mm / 17,9 kg (43,3 po x 27,4 po x 8,6 po / 39,4 lb)
	55SM5D/ 55SM3D	Ecran	1238 mm x 714,9 mm x 38,6 mm / 17,3 kg (48,7 po x 28,1 po x 1,5 po / 38,1 lb)
		Ecran + socle	1238 mm x 773,4 mm x 219,6 mm / 20,6 kg (48,7 po x 30,4 po x 8,6 po / 45,4 lb)
		Ecran + enceintes	1238 mm x 714,9 mm x 67,9 mm / 17,8 kg (48,7 po x 28,1 po x 2,6 po / 39,2 lb)
		Ecran + enceintes + socle	1238 mm x 773,4 mm x 219,6 mm / 21,1 kg (48,7 po x 30,4 po x 8,6 po / 46,5 lb)
65SM5D	Ecran	1456,9 mm x 838 mm x 41,1 mm / 27,7 kg (57,3 po x 32,9 po x 1,6 po / 61,0 lb)	
	Ecran + socle	1456,9 mm x 898,1 mm x 293,7 mm / 32,9 kg (57,3 po x 35,3 po x 11,5 po / 72,5 lb)	
	Ecran + enceintes	1456,9 mm x 838 mm x 70,4 mm / 28,2 kg (57,3 po x 32,9 po x 2,7 po / 62,1 lb)	
	Ecran + enceintes + socle	1456,9 mm x 898,1 mm x 293,7 mm / 33,4 kg (57,3 po x 35,3 po x 11,5 po / 73,6 lb)	

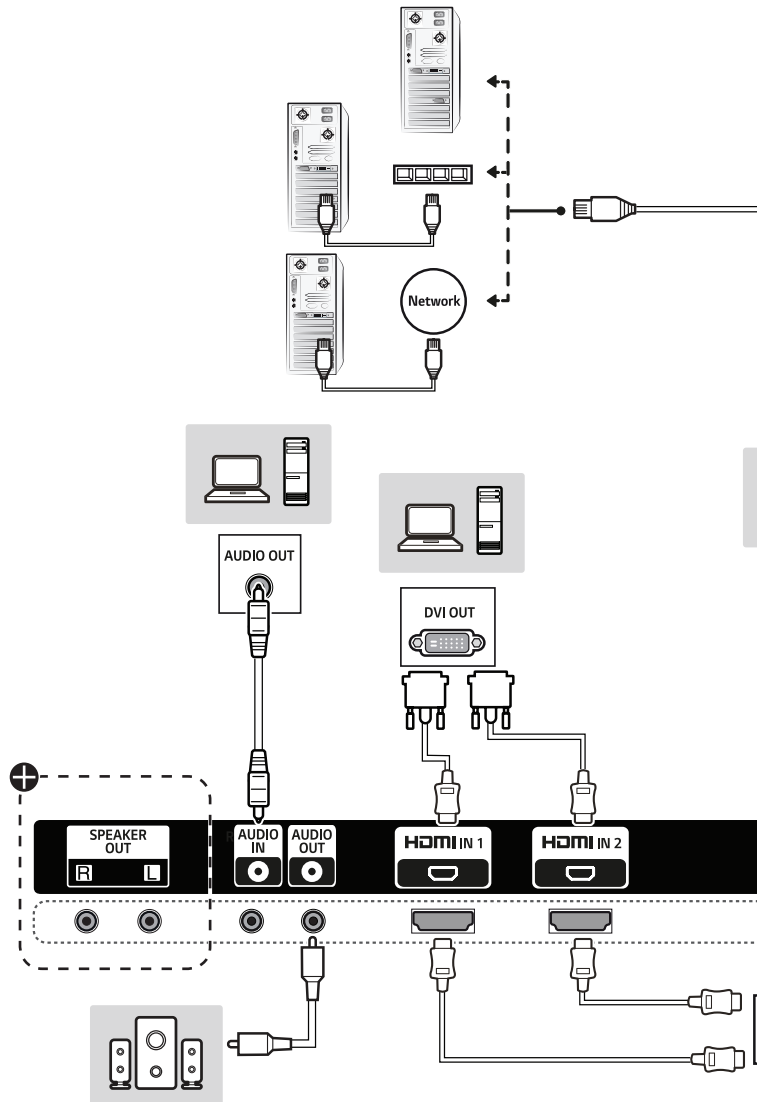
Dimensions (largeur x hauteur x profondeur) / Poids	32SM5KD	Ecran	729,4 mm x 428,9 mm x 55,5 mm / 5,4 kg (28,7 po x 16,8 po x 2,1 po / 11,9 lb)
		Ecran + socle	729,4 mm x 481 mm x 154,2 mm / 6,2 kg (28,7 po x 18,9 po x 6,0 po / 13,6 lb)
	43SM5KD	Ecran	969,6 mm x 563,9 mm x 54 mm / 10,0 kg (38,1 po x 22,2 po x 2,1 po / 22,0 lb)
		Ecran + socle	969,6 mm x 622,2 mm x 193 mm / 12,5 kg (38,1 po x 24,4 po x 7,5 po / 27,5 lb)
	49SM5KD	Ecran	1102,2 mm x 638,5 mm x 54 mm / 14,3 kg (43,3 po x 25,1 po x 2,1 po / 31,5 lb)
		Ecran + socle	1102,2 mm x 696,8 mm x 219,6 mm / 17,6 kg (43,3 po x 27,4 po x 8,6 po / 38,8 lb)
	55SM5KD	Ecran	1238 mm x 714,9 mm x 54 mm / 17,5 kg (48,7 po x 28,1 po x 2,1 po / 38,5 lb)
		Ecran + socle	1238 mm x 773,4 mm x 219,6 mm / 20,8 kg (48,7 po x 30,4 po x 8,6 po / 45,8 lb)
	65SM5KD	Ecran	1456,9 mm x 838 mm x 56,5 mm / 27,9 kg (57,3 po x 32,9 po x 2,2 po / 61,5 lb)
		Ecran + socle	1456,9 mm x 898,1 mm x 293,7 mm / 33,1 kg (57,3 po x 35,3 po x 11,5 po / 72,9 lb)

## Español

Dimensiones (ancho x alto x profundidad) / Peso	32SM5D	Cabezal	729,4 mm x 428,9 mm x 55,5 mm / 5,2 kg
		Cabezal + Soporte	729,4 mm x 481 mm x 154,2 mm / 6 kg
		Cabezal + Altavoz	729,4 mm x 428,9 mm x 95,7 mm / 5,7 kg
		Cabezal + Altavoz + Soporte	729,4 mm x 481 mm x 154,2 mm / 6,5 kg
	43SM5D/ 43SM3D	Cabezal	969,6 mm x 563,9 mm x 38,6 mm / 9,8 kg
		Cabezal + Soporte	969,6 mm x 622,2 mm x 193 mm / 12,3 kg
		Cabezal + Altavoz	969,6 mm x 563,9 mm x 67,9 mm / 10,3 kg
		Cabezal + Altavoz + Soporte	969,6 mm x 622,2 mm x 193 mm / 12,8 kg
	49SM5D/ 49SM3D	Cabezal	1 102,2 mm x 638,5 mm x 38,6 mm / 14,1 kg
		Cabezal + Soporte	1 102,2 mm x 696,8 mm x 219,6 mm / 17,4 kg
		Cabezal + Altavoz	1 102,2 mm x 638,5 mm x 67,9 mm / 14,6 kg
		Cabezal + Altavoz + Soporte	1 102,2 mm x 696,8 mm x 219,6 mm / 17,9 kg
	55SM5D/ 55SM3D	Cabezal	1 238 mm x 714,9 mm x 38,6 mm / 17,3 kg
		Cabezal + Soporte	1 238 mm x 773,4 mm x 219,6 mm / 20,6 kg
		Cabezal + Altavoz	1 238 mm x 714,9 mm x 67,9 mm / 17,8 kg
		Cabezal + Altavoz + Soporte	1 238 mm x 773,4 mm x 219,6 mm / 21,1 kg
	65SM5D	Cabezal	1 456,9 mm x 838 mm x 41,1 mm / 27,7 kg
		Cabezal + Soporte	1 456,9 mm x 898,1 mm x 293,7 mm / 32,9 kg
		Cabezal + Altavoz	1 456,9 mm x 838 mm x 70,4 mm / 28,2 kg
		Cabezal + Altavoz + Soporte	1 456,9 mm x 898,1 mm x 293,7 mm / 33,4 kg
	32SM5KD	Cabezal	729,4 mm x 428,9 mm x 55,5 mm / 5,4 kg
		Cabezal + Soporte	729,4 mm x 481 mm x 154,2 mm / 6,2 kg
	43SM5KD	Cabezal	969,6 mm x 563,9 mm x 54 mm / 10,0 kg
		Cabezal + Soporte	969,6 mm x 622,2 mm x 193 mm / 12,5 kg
	49SM5KD	Cabezal	1 102,2 mm x 638,5 mm x 54 mm / 14,3 kg
		Cabezal + Soporte	1 102,2 mm x 696,8 mm x 219,6 mm / 17,6 kg
	55SM5KD	Cabezal	1 238 mm x 714,9 mm x 54 mm / 17,5 kg
		Cabezal + Soporte	1 238 mm x 773,4 mm x 219,6 mm / 20,8 kg
65SM5KD	Cabezal	1 456,9 mm x 838 mm x 56,5 mm / 27,9 kg	
	Cabezal + Soporte	1 456,9 mm x 898,1 mm x 293,7 mm / 33,1 kg	

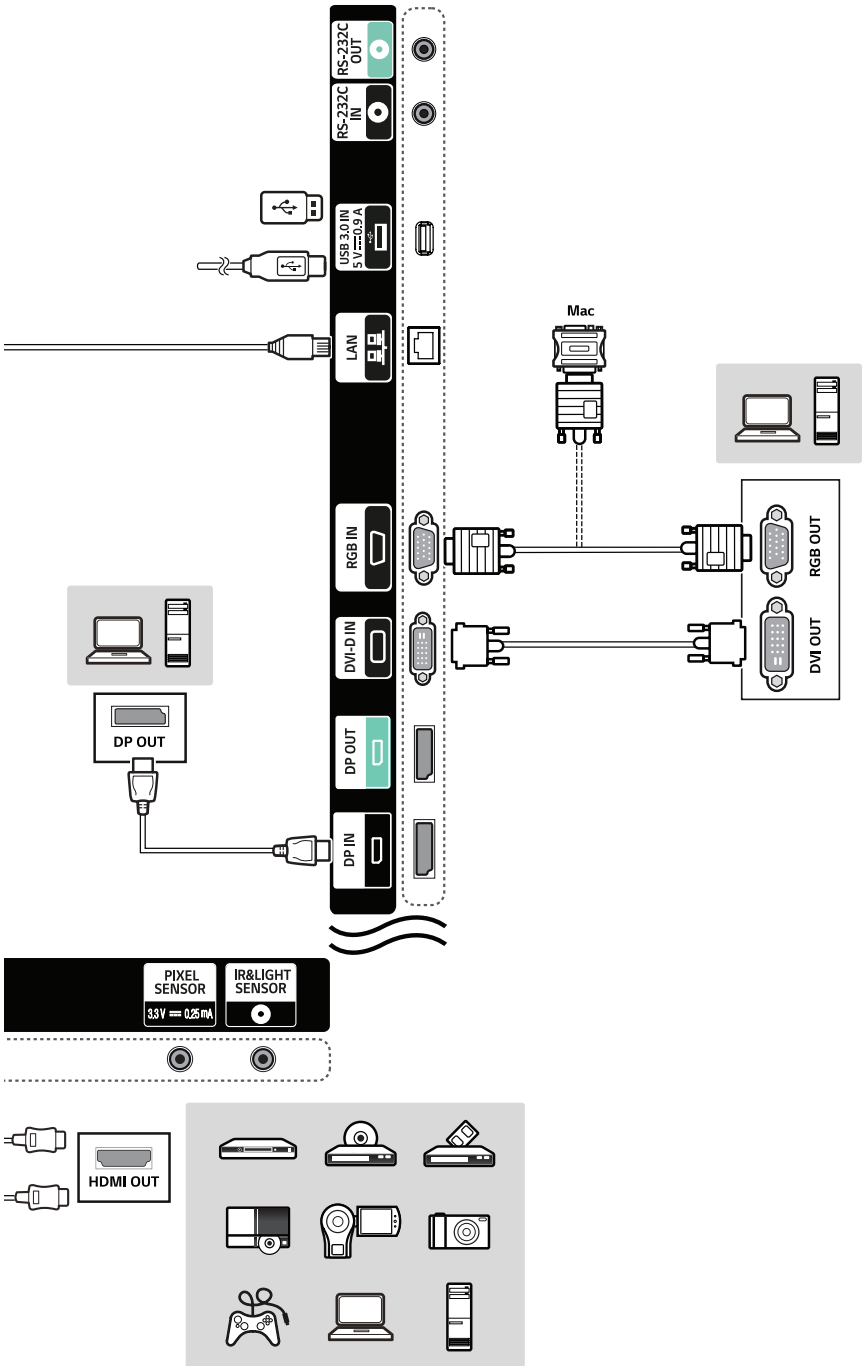


32SM5D	43SM5D	49SM5D	55SM5D
32SM5KD	43SM5KD	49SM5KD	55SM5KD
43SM3D	49SM3D	55SM3D	



**+** \*\*SM5D, \*\*SM3D

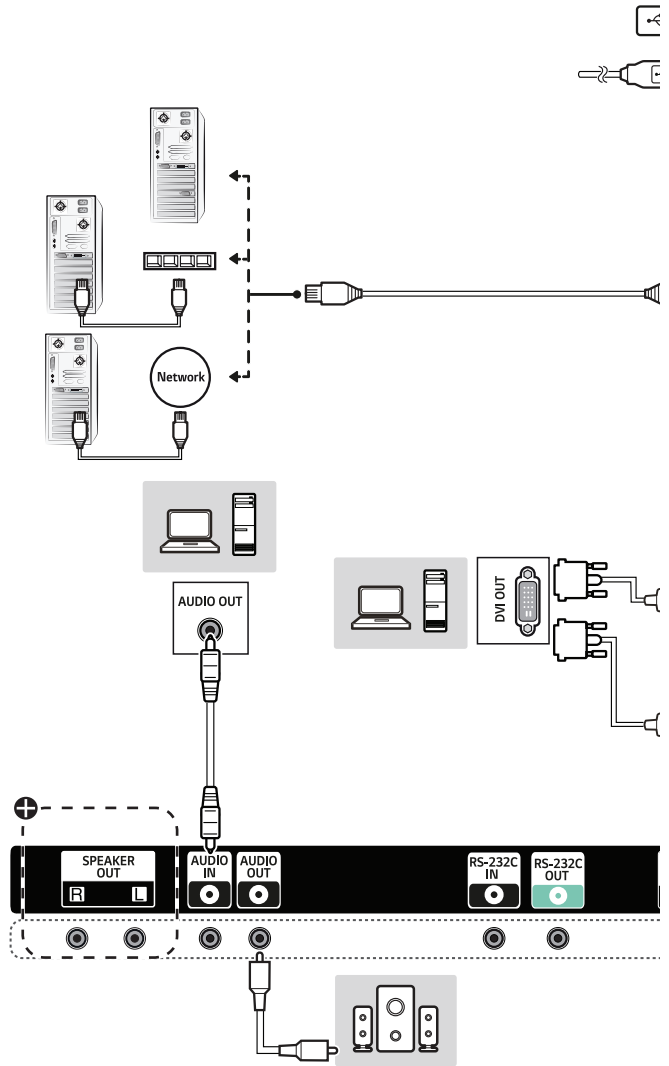




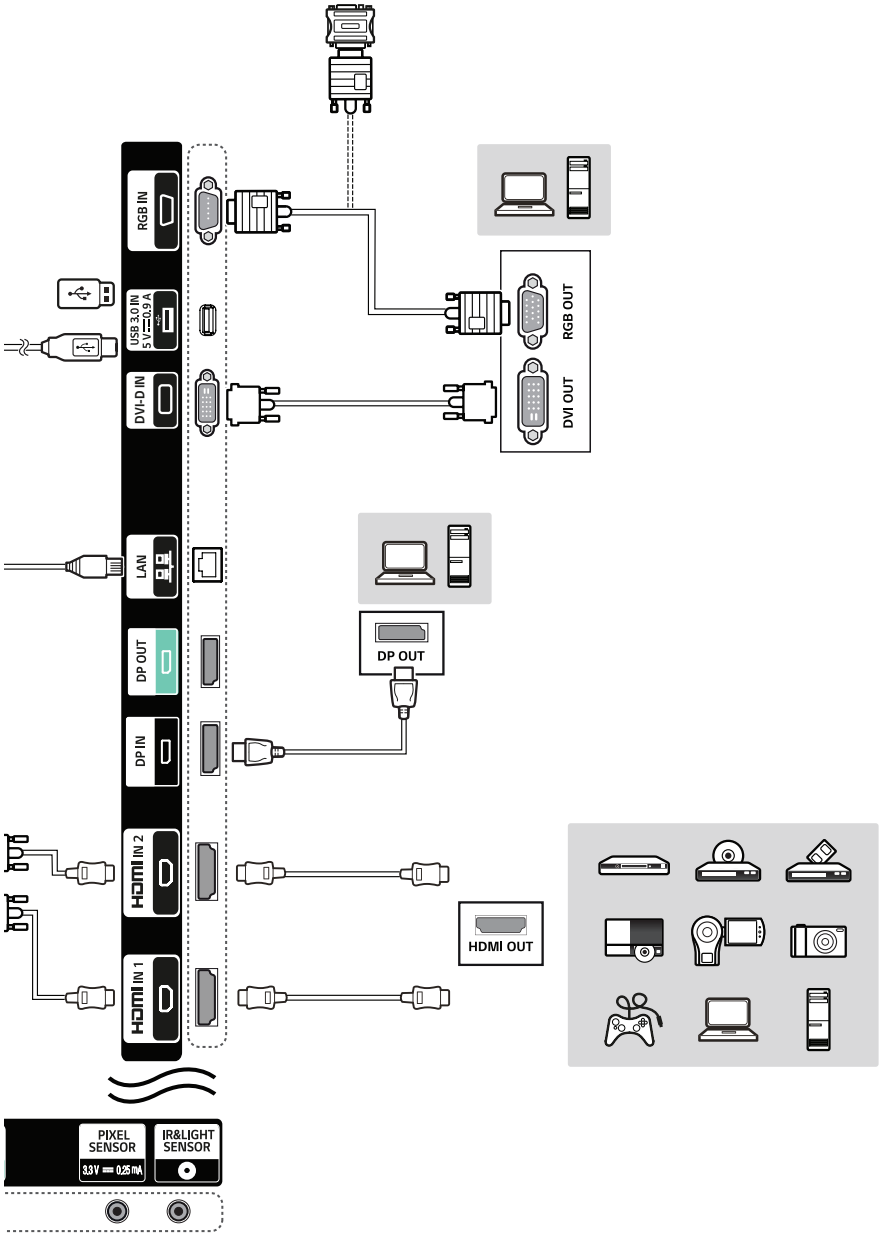


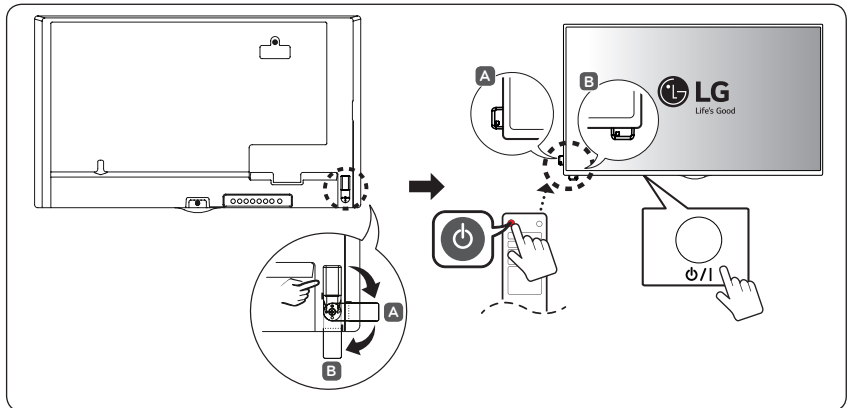
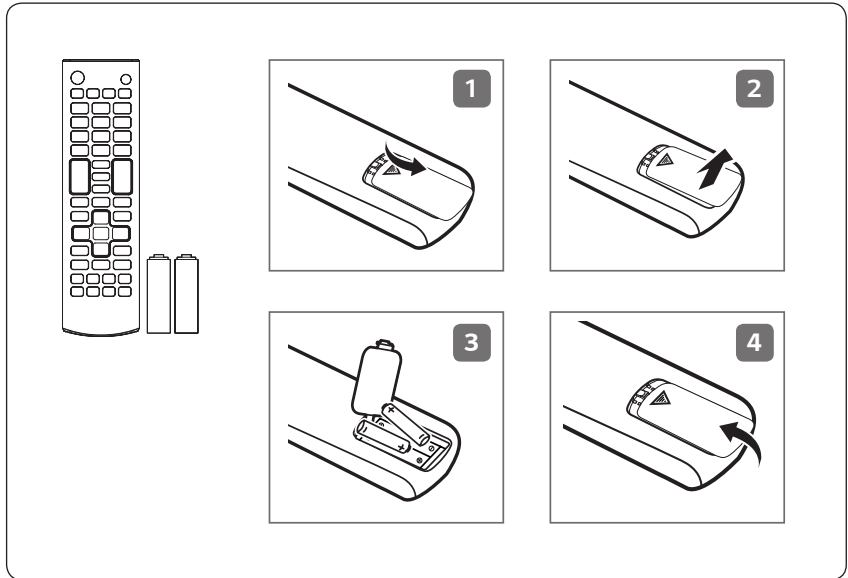
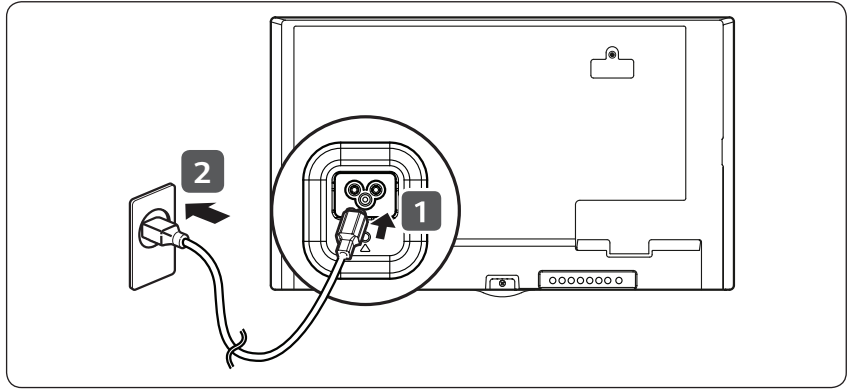
65SM5D

65SM5KD



⊕ 65SM5D







# REGULATORY INFORMATION

(INFORMACION REGULATIVA)



\* M F L 6 9 0 4 0 9 0 3 \*

[www.lg.com](http://www.lg.com)

P/NO : MFL69040903 (1705-REV07)

## USA(FCC) Notice

This equipment has been tested and found to comply with the limits for a Class A digital device, pursuant to part 15 of the FCC Rules. These limits are designed to provide reasonable protection against harmful interference when the equipment is operated in a commercial environment. Operation of this equipment in a residential area is likely to cause harmful interference in which case the user will be required to correct the interference at his own expense. You are cautioned that changes or modifications not expressly approved by the part responsible for compliance could void the user's authority to operate the equipment.

This equipment generates, uses and can radiate radio frequency energy and, if not installed and used in accordance with the instructions, may cause harmful interference to radio communications. However, there is no guarantee that interference will not occur in a particular installation. If this equipment does cause harmful interference to radio or television reception, which can be determined by turning the equipment off and on, the user is encouraged to try to correct the interference by one or more of the following measures:

- Reorient or relocate the receiving antenna.
- Increase the separation between the equipment and receiver.
- Connect the equipment into an outlet on a circuit different from that to which the receiver is connected.
- Consult the dealer or an experienced radio technician for help.

This device complies with Part 15 of the FCC Rules. Operation is subject to the following two conditions:

- 1) this device may not cause harmful interference, and
- 2) this device must accept any interference received, including interference that may cause undesired operation of the device of the device

Caution: Any changes or modifications in construction of this device are not expressly approved by the party responsible for compliance could void the user's authority to operate the equipment.

## Indoor use only

FCC Caution: Any changes or modifications not expressly approved by the party responsible for compliance could void the user's authority to operate this equipment and for indoor use only, use outdoors or in other modes not covered by this manual may violate the FCC regulation and violate the user authority to use the product.

Specially, within the 5.15-5.25 GHz band, U-NII device is restricted to indoor operations to reduce any potential for harmful interference to co-channel MSS operations.

## FCC RF Radiation Exposure Statement:

This equipment complies with FCC radiation exposure limits set forth for an uncontrolled environment. This transmitter must not be co-located or operating in conjunction with any other antenna or transmitter.

## CANADA(IC) Notice

### Industry Canada Statement

(For Canada)

#### [For having wireless function (WLAN, Bluetooth,...)]

This device complies with Industry Canada's applicable licence-exempt RSSs. Operation is subject to the following two conditions:

- (1) This device may not cause interference; and
- (2) This device must accept any interference, including interference that may cause undesired operation of the device.

### Avis d'Industrie Canada

(Pour le Canada)

#### [Pour la fonction sans fil (WLAN, Bluetooth, etc.)]

Cet appareil est conforme aux normes CNR d'Industrie Canada applicables aux dispositifs exempts de licence. L'exploitation est autorisée aux deux conditions suivantes :

- 1) l'appareil ne doit pas produire de brouillage;
- 2) l'utilisateur de l'appareil doit accepter tout brouillage radioélectrique subi, même si le brouillage est susceptible d'en compromettre le fonctionnement.

### IC Radiation Exposure Statement

(For Canada)

#### [For having wireless function (WLAN, Bluetooth,...)]

This equipment complies with IC radiation exposure limits set forth for an uncontrolled

environment. This equipment should be installed and operated with minimum distance 20 cm (7.8 inches) between the antenna & your body.

NOTE: THE MANUFACTURER IS NOT RESPONSIBLE FOR ANY RADIO OR TV INTERFERENCE CAUSED BY UNAUTHORIZED MODIFICATIONS TO THIS EQUIPMENT. SUCH MODIFICATIONS COULD VOID THE USER'S AUTHORITY TO OPERATE THE EQUIPMENT.

### Avis d'Industrie Canada sur l'exposition aux rayonnements

(Pour le Canada)

#### [Pour la fonction sans fil (WLAN, Bluetooth, etc.)]

Cet appareil est conforme aux limites d'exposition aux rayonnements d'Industrie Canada pour un environnement non contrôlé. Cet appareil doit être installé de façon à garder une distance minimale de 20 cm (7,8 po) entre la source de rayonnement et votre corps.

REMARQUE : LE FABRICANT N'EST PAS RESPONSABLE DES INTERFERENCES

RADIOÉLECTRIQUES CAUSÉES PAR DES MODIFICATIONS NON AUTORISÉES APPORTÉES À CET APPAREIL. DE TELLES MODIFICATIONS POURRAIENT ANNULER L'AUTORISATION ACCORDÉE À L'UTILISATEUR DE FAIRE FONCTIONNER L'APPAREIL.

**WARNING****(For Canada)****[For product having the wireless function using 5 GHz frequency bands]**

- (i) the device for operation in the band 5150–5250 MHz is only for indoor use to reduce the potential for harmful interference to co-channel mobile satellite systems;
- (ii) for devices with detachable antenna(s), the maximum antenna gain permitted for devices in the bands 5250–5350 MHz and 5470–5725 MHz shall be such that the equipment still complies with the e.i.r.p. limit;
- (iii) for devices with detachable antenna(s), the maximum antenna gain permitted for devices in the bands 5725–5850 MHz shall be such that the equipment still complies with the e.i.r.p. limits specified for point-to-point and non-point-to-point operation as appropriate; and
- (iv) the worst-case tilt angle(s) necessary to remain compliant with the e.i.r.p. elevation mask requirement set forth in Section 6.2.2(3) shall be clearly indicated. (devices operating in the band 5250–5350 MHz with a maximum e.i.r.p. greater than 200 mW)
- (v) High-power radars are allocated as primary users (i.e. priority users) of the bands 5250–5350 MHz and 5650–5850 MHz and that these radars could cause interference and/or damage to LE-LAN devices.

**AVERTISSEMENTS****(Pour le Canada)****[Pour un produit doté de la fonction sans fil utilisant la bande de fréquences 5 GHz]**

- i) les dispositifs fonctionnant dans la bande de 5 150 à 5 250 MHz sont réservés uniquement pour une utilisation à l'intérieur afin de réduire les risques de brouillage préjudiciable aux systèmes de satellites mobiles utilisant les mêmes canaux;
- ii) pour les dispositifs munis d'antennes amovibles, le gain maximal d'antenne permis pour les dispositifs utilisant les bandes de 5 250 à 5 350 MHz et de 5 470 à 5 725 MHz doit être conforme à la limite de la p.i.r.e.;
- iii) pour les dispositifs munis d'antennes amovibles, le gain maximal d'antenne permis (pour les dispositifs utilisant la bande de 5 725 à 5 850 MHz) doit être conforme à la limite de la p.i.r.e. spécifiée pour l'exploitation point à point et l'exploitation non point à point, selon le cas;
- iv) les pires angles d'inclinaison nécessaires pour rester conforme à l'exigence de la p.i.r.e. applicable au masque d'élévation, et énoncée à la section 6.2.2.3), doivent être clairement indiqués. (les dispositifs fonctionnant dans la bande de 5 250 à 5 350 MHz et dont la p.i.r.e. maximale dépasse 200 mW)
- v) les utilisateurs de radars de haute puissance sont désignés utilisateurs principaux (c.-à-d., qu'ils ont la priorité) des bandes de 5 250 à 5 350 MHz et de 5 650 à 5 850 MHz et, d'autre part, que ces radars pourraient causer du brouillage et/ou des dommages aux dispositifs de RL-EL.

**한국 (KOREA)**

해당 무선설비는 전파 혼신 가능성이 있으므로 인명 안전과 관련된 서비스는 할 수 없음.

**TAIWAN**

[關於具有無線功能 (無線區域網路、藍牙、...)]  
根據NCC低功率電波輻射性電機管理辦法 規定

第十二條

經型式認證合格之低功率射頻電機，非經許可，公司、商號或使用者均不得擅自變更頻率、加大功率或變更原設計之特性及功能。

第十四條

低功率射頻電機之使用不得影響飛航安全及干擾合法通信；經發現有干擾現象時，應立即停用，並改善至無干擾時方得繼續使用。

前項合法通信，指依電信法規定作業之無線電通信。

低功率射頻電機須忍受合法通信或工業、科學及醫療用電波輻射性電機設備之干擾。

**日本 (JAPAN)**

電波法により 5GHz 帯は屋内使用に限ります。

## Information for Environmental Preservation

### ENGLISH

#### Information for Environmental Preservation

LGE. announced the 'LG Declaration for a Cleaner Environment' in 1994, and this ideal has served as a guiding managerial principle ever since. The Declaration is a foundation that has allowed us to undertake environmentally friendly activities in careful consideration of economic, environmental, and social aspects.

We promote activities for environmental preservation, and we specifically develop our products to embrace the concept of environment-friendly. We minimize the hazardous materials contained in our products. For example, there is no cadmium to be found in our product.

#### Information for recycling

This product may contain parts which could be hazardous to the environment. It is important that this product be recycled after use. LGE. handles all waste product through an environmentally acceptable recycling method. There are several take-back and recycling systems currently in operation worldwide. Many parts will be reused and recycled, while harmful substances and heavy metals are treated by an environmentally friendly method.

If you want to find out more information about our recycling program, please contact your local LG vendor or a corporate representative of LG.

We set our vision and policies on a cleaner world by selecting the issue of the global environment as a task for corporate improvement. Please visit our website for more information about our 'green' policies. <http://www.lg.com/global/sustainability/environment/take-back-recycling.jsp>

### DEUTSCH

#### Informationen zur Erhaltung der Umwelt

Im Jahr 1994 verkündete LGE die 'LG Declaration for a Cleaner Environment' (LG Erklärung für eine sauberere Umwelt). Seitdem dient dieses Ideal als führendes Prinzip des Unternehmens. Diese Erklärung war die Basis für die Durchführung von umweltfreundlichen Aktivitäten, wobei wirtschaftliche, umweltbezogene und soziale Aspekte in die Überlegungen mit einbezogen wurden.

Wir fördern Aktivitäten zum Schutz der Umwelt und die Entwicklung unserer Produkte ist darauf ausgerichtet, unserem Konzept bezüglich Umweltfreundlichkeit gerecht zu werden.

Wir sind darauf bedacht, den Anteil der in unseren Produkten enthaltenen schädlichen Materialien zu minimieren. So ist in unseren produkt beispielsweise kein Cadmium zu finden.

#### Informationen zum Thema Recycling

Dieser produkt enthält Teile, die umweltschädlich sein können. Es ist unbedingt erforderlich, dass der produkt recycelt wird, nachdem er außer Dienst gestellt wurde.

Bei LGE. werden alle ausrangierten produkt in einem unter umweltbezogenen Aspekten geeigneten Verfahren recycelt. Augenblicklich sind weltweit mehrere Rücknahme- und Recyclingsysteme im Einsatz. Viele Teile werden wieder verwendet und recycelt. Schädliche Substanzen und Schwermetalle werden durch umweltverträgliche Verfahren behandelt. Falls Sie mehr über unser Recyclingprogramm erfahren möchten, wenden Sie sich bitte an Ihren lokalen LGHändler oder einen Unternehmensvertreter von LG.

Wir richten unsere Firmenpolitik auf eine sauberere Umwelt hin aus, indem wir umweltspezifische Aspekte als wichtigen Punkt in die Weiterentwicklung unseres Unternehmens einfließen lassen. Zusätzliche Informationen über unsere 'grüne' Firmenpolitik erhalten Sie auf unserer Website.

<http://www.lg.com/global/sustainability/environment/take-back-recycling.jsp>

### FRANÇAIS

#### Information sur la protection de l'environnement

LGE. a publié sa 'Déclaration en faveur d'un environnement plus propre' en 1994 et celle-ci est restée, depuis lors, un principe directeur de notre entreprise. Cette déclaration a servi de base à notre réflexion et nous a permis de prendre en compte à la fois les aspects économiques et sociaux de nos activités, tout en respectant l'environnement.

Nous encourageons les activités en faveur de la préservation de l'environnement et c'est dans cet esprit que nous développons nos produits : nous réduisons au minimum les matières dangereuses qui entrent dans leur composition et l'on ne trouve pas de cadmium, par exemple, dans nos produit.



## Information sur le recyclage

Ce produit peut contenir des composants qui présentent un risque pour l'environnement. Il est donc important que celui-ci soit recyclé après usage.

LGE. traite le produit en fin de cycle conformément à une méthode de recyclage respectueuse de l'environnement. Nous reprenons nos produits et les recyclons dans plusieurs sites répartis dans le monde entier. De nombreux composants sont réutilisés et recyclés, et les matières dangereuses, ainsi que les métaux lourds, sont traités selon un procédé écologique. Si vous souhaitez plus de renseignements sur notre programme de recyclage, veuillez contacter votre revendeur LG ou un l'un de nos représentants.

Nous voulons agir pour un monde plus propre et croyons au rôle de notre entreprise dans l'amélioration de l'environnement. Pour plus de renseignements sur notre politique "verte", rendez visite à notre site : <http://www.lg.com/global/sustainability/environment/take-back-recycling.jsp>

## ITALIANO

### Informazioni per la tutela dell'ambiente

La LGE. ha annunciato nel 1994 la cosiddetta 'LG Declaration for a Cleaner Environment' (Dichiarazione di LG a favore di un ambiente più pulito), un ideale che da allora funge da principio ispiratore della gestione aziendale. La dichiarazione rappresenta il fondamento che consente di intraprendere attività a favore dell'ambiente tenendo conto degli aspetti economici, ambientali e sociali. Noi della LG, promuoviamo attività a favore della tutela dell'ambiente sviluppando appositamente i nostri prodotti per cogliere il concetto del rispetto dell'ambiente riducendo i materiali dannosi presenti nei nostri prodotti. Ad esempio nei nostri prodotto non è presente il cadmio.

### Informazioni per il riciclaggio

Il prodotto può presentare componenti che potrebbero risultare eventualmente dannosi per l'ambiente. È importante che il prodotto sia riciclato al termine del suo utilizzo.

La LGE. gestisce tutti i prodotto di rifiuto con un metodo di riciclaggio soddisfacente dal punto di vista ambientale. In tutto il mondo sono attualmente in funzione numerosi sistemi di riciclaggio e recupero.

I diversi componenti sono riutilizzati e riciclati, mentre le sostanze dannose e i metalli pesanti vengono trattati con un metodo rispettoso dell'ambiente.

Se si desiderano maggiori informazioni in merito al programma di riciclaggio, è consigliabile rivolgersi al proprio rivenditore LG o ad un rappresentante aziendale della LG.

Noi della LG impostiamo la nostra visione e le nostre politiche a favore di un mondo più pulito ponendo la questione dell'ambiente dal punto di vista globale come una mansione rivolta al miglioramento della nostra azienda. Vi invitiamo a visitare il nostro sito internet per ulteriori informazioni sulla nostra politica "verde".

<http://www.lg.com/global/sustainability/environment/take-back-recycling.jsp>

## ESPAÑOL

### Información para la conservación medioambiental

LGE. presentó la 'Declaración para un entorno más limpio de LG' en 1994 y este ideal ha servido para guiar nuestros principios empresariales desde entonces. La Declaración es la base que nos ha permitido llevar a cabo tareas que respetan el medio ambiente siempre teniendo en cuenta aspectos sociales, económicos y medioambientales.

Promocionamos actividades orientadas a la conservación del medio ambiente y desarrollamos nuestros productos específicamente para que se ajusten a la filosofía que protege el entorno.

Reducimos al máximo el uso de materiales de riesgo en nuestros productos. Un ejemplo de ello es la ausencia total de cadmio en nuestros producto.

### Información para el reciclaje

Este producto puede contener piezas que entrañen riesgos medioambientales. Es importante reciclar este producto después de su utilización.

LGE. trata todos los producto usados siguiendo un método de reciclaje que no daña al entorno. Contamos con diversos sistemas de recuperación y reciclaje que funcionan a nivel mundial en la actualidad. Es posible reciclar y reutilizar muchas de las piezas, mientras que las sustancias dañinas y los metales pesados se tratan siguiendo un método que no perjudique al medio ambiente. Si desea obtener más información acerca del programa de reciclaje, póngase en contacto con su proveedor local de LG o con un representante empresarial de nuestra marca.

Basamos nuestra visión y nuestras políticas en un mundo más limpio y para ellos optamos por un entorno global como tarea principal de nuestra evolución como empresa. Visite nuestra página Web para obtener más información sobre nuestras políticas ecológicas. <http://www.lg.com/global/sustainability/environment/take-back-recycling.jsp>

## PORTUGUÊS

### Informações relacionadas à preservação ambiental

A LGE. anunciou a 'LG Declaration for a Cleaner Environment' (Declaração da LG para um ambiente mais limpo) em 1994 e esse ideal tem servido desde então como um princípio administrativo de orientação. A Declaração é a base que nos tem permitido realizar atividades favoráveis ao ambiente com consideração atenta aos aspectos econômicos, ambientais e sociais.

Promovemos atividades de preservação ambiental e desenvolvemos nossos produtos para englobar especificamente o conceito de favorável ao ambiente. Reduzimos os materiais perigosos contidos em nossos produtos. Por exemplo, não há cádmio em nossos produto.

## Informações relacionadas à reciclagem

Este produto pode conter peças que podem representar riscos ao ambiente. É importante que ele seja reciclado após o uso.

A LGE. cuida de todos os produtos descartados através de um método de reciclagem agradável ao ambiente. Há vários sistemas de devolução e reciclagem atualmente em operação no mundo. Muitas peças serão reutilizadas e recicladas e as substâncias nocivas e os metais pesados passarão por tratamento através de um método favorável ao ambiente.

Para obter mais informações sobre nosso programa de reciclagem, entre em contato com seu fornecedor LG local ou com um representante corporativo da LG.

Definimos nossa visão e nossas políticas relacionadas a um mundo mais limpo selecionando a questão do ambiente global como uma tarefa de aprimoramento corporativo. Visite nosso site para obter mais informações sobre nossas políticas de meio ambiente.

<http://www.lg.com/global/sustainability/environment/take-back-recycling.jsp>

## NEDERLANDS

### Informatie met betrekking tot het behoud van het milieu

LGE. publiceerde in 1994 de 'LG Declaration for a Cleaner Environment' (de LG-verklaring met betrekking tot een schoner milieu). Deze verklaring en het ideaal van een schoner milieu fungeren sindsdien als een bestuurlijke leidraad voor onze onderneming. Op basis van deze verklaring ontplooiën wij milieuvriendelijke activiteiten, waarbij er zowel met sociale en economische aspecten, als met milieuaspecten zorgvuldig rekening wordt gehouden.

Wij ondersteunen activiteiten die zijn gericht op het behoud van het milieu en wij houden bij het ontwikkelen onze producten specifiek rekening met de milieuvriendelijkheid van onze producten.

Wij minimaliseren het gebruik van schadelijke stoffen in onze producten. Er wordt bijvoorbeeld geen cadmium verwerkt in onze producten.

### Informatie met betrekking tot recycling

Deze product bevat materialen die schadelijk zouden kunnen zijn voor het milieu. Het is belangrijk dat deze product aan het einde van zijn levensduur wordt gerecycled.

LGE. verwerkt alle afval product via een milieuvriendelijke recyclingmethode. Hiervoor worden er momenteel wereldwijd verscheidene inname- en recyclingsystemen gehanteerd. Een groot aantal onderdelen wordt opnieuw gebruikt en gerecycled, waarbij schadelijke stoffen en zware metalen volgens een milieuvriendelijke methode worden verwerkt.

Voor meer informatie over ons recyclingprogramma kunt u contact opnemen met uw plaatselijke LGvertegenwoordiger of een LG-vestiging.

Onze visie en ons beleid met betrekking tot een schonere wereld vloeien voort uit het feit dat wij het milieu hebben aangemerkt als een onderwerp dat speciale aandacht verdient binnen onze onderneming. Bezoek onze website voor meer informatie over ons 'groene' beleid.

<http://www.lg.com/global/sustainability/environment/take-back-recycling.jsp>

## РУССКИЙ

### Информация по охране окружающей среды

В 1994 году корпорация LGE опубликовала «Декларацию LG по охране окружающей среды», которая с тех пор служит основным принципом управления. На основе этой декларации мы смогли предпринять действия, обеспечивающие безопасность окружающей среды, уделяя при этом должное внимание экономическим, экологическим и социальным аспектам.

Мы стимулируем деятельность по охране окружающей среды, уделяя особое внимание разработке нашей продукции в соответствии с концепцией экологической безопасности.

Мы сводим к минимуму содержание опасных веществ в нашей продукции. Например, в наших продуктах вы не найдете кадмия.

### Информация по утилизации отходов.

Этот продукт может содержать компоненты, которые могут нанести ущерб окружающей среде. Необходимо утилизировать продукт после использования.

Корпорация LGE перерабатывает все бракованные продукты с помощью экологически приемлемого метода утилизации отходов. По всему миру действуют системы утилизации отходов и возврата использованной продукции. Многие компоненты будут вторично использованы и утилизированы, в то время как вредные вещества и тяжелые металлы будут обработаны с помощью экологически приемлемого метода.

За более подробной информацией по нашей программе утилизации отходов обращайтесь к местному поставщику или представителю корпорации LG.

Мы ориентируемся на обеспечение экологической безопасности, ставя себе целью глобальную защиту окружающей среды. Дополнительную информацию о нашей политике по охране окружающей среды вы можете найти на нашем сайте:

<http://www.lg.com/global/sustainability/environment/take-back-recycling.jsp>

## 한국어

### 환경 보존 정보

LG전자는 1994년 LG환경 선언문을 발표한 후 현재까지 이를 기업경영의 이념으로 삼아왔습니다. 이 선언문을 바탕으로 LG전자는 모든 경영활동에서 경제성뿐만 아니라 환경성 및 사회성을 주요 의사 결정의 기준으로 삼음으로써 지속적으로 환경친화적인 경영을 전개하고 있습니다.

본사는 더욱 활발한 환경 보존 활동과 더불어 환경친화적 제품 개발에 주력해 왔습니다.

또한, 제품에 포함되는 환경 위해 요소를 최소화하는데에도 노력을 게을리하지 않고 있습니다. LG전자 기기의 경우 카드뮴을 전혀 사용하지 않는 것에서도 이러한 노력을 알 수 있습니다.

### 재활용 정보

본 기기에는 환경에 위해를 주는 부품이 포함되어 있을 수도 있습니다. 따라서 사용이 끝난 기기는 재활용하는 것이 좋습니다.

폐기기는 모두 환경 친화적 방식으로 처리됩니다. 현재 세계적으로 운영되고 있는 회수 및 재활용 시스템에는 여러 가지가 있습니다. 대부분의 부품의 경우 재사용 또는 재활용되지만 환경 위해 물질과 중금속은 환경 친화적 방법으로 처리됩니다.

본사의 재활용 프로그램에 대한 자세한 정보는 각 지역의 LG 공급업체나 LG기업 대표부에 문의하시기 바랍니다.

LG전자는 기업 개선 정책의 하나로 지구 환경 문제를 채택함으로써 보다 나은 환경을 만들어 나가기 위한 비전과 정책을 수립했습니다. 본사의 친환경 정책에 대한 자세한 정보를 보시려면 아래의 웹 사이트를 방문하십시오.

<http://www.lg.com/global/sustainability/environment/take-back-recycling.jsp>

### 업무용 방송통신기자재

이 기기는 업무용 환경에서 사용할 목적으로 적합성평가를 받은 기기로서 가정용 환경에서 사용하는 경우 전파간섭의 우려가 있습니다.

### VCCI (for Japan)

この装置は、クラスA情報技術装置です。この装置を家庭環境で使用すると電波妨害を引き起こすことがあります。この場合には使用者が適切な対策を講ずるよう要求されることがあります。VCCI - A

### 警告使用者 (for Taiwan)

此為甲類資訊技術設備，於居住環境中使用時，可能會造成射頻擾動，在此種情況下，使用者會被要求採取某些適當的對策。

### 警告 (for Taiwan)

- 使用過度恐傷害視力。
- 如果更換不正確之電池型式會有爆炸的風險請依製造商說明書處理用過之電池。(僅限有內建電池的機種)

### 注意事項 (for Taiwan)

- 使用30分鐘請休息10分鐘。
- 未滿2歲幼兒不看螢幕，2歲以上每天看螢幕不要超過1小時。

### 警告 (for China)

此为A级产品。在生活环境中，该产品可能会造成无线电干扰。在这种情况下，可能需要用户对干扰采取切实可行的措施。

### NOM MARK (Mexico only)

#### (MARCA NOM (Solo para México))



### UKRAINE only



001

Продукти без  
радіочастотних модулів.



032

Продукти з радіочастотними  
модулями.

#### Обмеження України на наявність небезпечних речовин

Устаткування відповідає вимогам технічного регламенту щодо обмеженого використання небезпечних речовин в електричному і електронному обладнанні.

#### Ukraine Restriction of Hazardous Substances

The equipment complies with requirements of the Technical Regulation, in terms of restrictions for the use of certain dangerous substances in electrical and electronic equipment.

**EPEAT**

"EPEAT registered where applicable/supported. EPEAT registration varies by country - see [www.epeat.net](http://www.epeat.net) for registration status by country."

**GREEN MARK (for Japan)**

本製品は、日本工業規格（JIS C0950:2008）における「電気・電子機器の特定の化学物質の含有表示方法」（通称J-Moss）の規定する特定化学物質の含有率が

基準値以下に管理された製品あるため、J-Moss グリーンマークを表示しています。特定の化学物質（鉛、水銀、カドミウム、六価クロム、PBB、PBDE）の含有についての情報は下記Webサイトをご覧ください。

Webサイト：

<http://www.lg.com/jp/eco/j-moss>

**CU CONFORMITY NOTICE**

(Eurasian Customs Union only)

**PACKING INFORMATION  
(CUSTOMS UNION)**

**Русский**



Символ «не для пищевой продукции» применяется в соответствии с техническим регламентом Таможенного союза «О безопасности упаковки» 005/2011 и указывает на то, что упаковка данного продукта не предназначена для повторного использования и подлежит утилизации. Упаковку данного продукта запрещается использовать для хранения пищевой продукции.



Символ «петля Мебиуса» указывает на возможность утилизации упаковки. Символ может быть дополнен обозначением материала упаковки в виде цифрового и/или буквенного обозначения.

**Қазақша**



Символ Кедендік одақтың 005/2011 техникалық регламентіне сәйкес қолданылады және осы өнімнің қаптамасын екінші рет пайдалануға арналмағанын және жоюға жататынын көрсетеді. Осы өнімнің қаптамасын азық-түлік өнімдерін сақтау үшін пайдалануға тыйым салынады.



Символ қаптаманы жою мүмкіндігін көрсетеді. Символ сандық код және/немесе әріп белгілері түріндегі қаптама материалының белгісімен толықтырылуы мүмкін.

**English****Removal of waste batteries and accumulators (Product with embedded battery ONLY)**

In case this product contains a battery incorporated within the product which cannot be readily removed by end-users, LG recommends that only qualified professionals remove the battery, either for replacement or for recycling at the end of this product's working life. To prevent damage to the product, and for their own safety, users should not attempt to remove the battery and should contact LG Service Helpline, or other independent service providers for advice.

Removal of the battery will involve dismantling of the product case, disconnection of the electrical cables/contacts, and careful extraction of the battery cell using specialized tools. If you need the instructions for qualified professionals on how to remove the battery safely, please visit <http://www.lge.com/global/sustainability/environment/take-back-recycling>

**Deutsch****Entfernen von Abfallbatterien und -Akkus (Nur für Produkte mit integrierter Batterie)**

Falls dieses Produkt eine im Produkt eingearbeitete Batterie/Akku enthält, die nicht ohne weiteres durch den Endbenutzer entfernt werden kann, empfiehlt LG, dass nur qualifizierte Fachkräfte Batterie oder Akku entfernen, die/der entweder wegen einer Ersatzlieferung oder für ein Recycling am Ende der Lebensdauer dieses Produkts ausgetauscht werden muss. Um Schäden am Produkt zu vermeiden, und für ihre eigene Sicherheit, sollten Benutzer nicht versuchen, Batterie oder Akku zu entfernen und diesbezüglich die LG-Beratungsstelle oder einen anderen unabhängigen Dienstleister zwecks Beratung kontaktieren.

Das Entfernen von Batterie oder Akku erfordert ein Zerlegen des Produkts, die Trennung der elektrischen Leitungen/Kontakte und eine sorgfältige Entnahme der Batterie-/Akkuzelle mit Spezialwerkzeugen. Wenn Sie die Anweisungen für qualifizierte Fachkräfte benötigen, wie man Batterie/Akku sicher entfernen kann, besuchen Sie bitte <http://www.lge.com/global/sustainability/environment/take-back-recycling>

**Français****Retrait de batteries et d'accumulateurs à mettre au rebut (produit avec batterie intégrée UNIQUEMENT)**

Dans le cas où ce produit contiendrait une batterie intégrée impossible à retirer facilement par les utilisateurs finaux, LG recommande de confier exclusivement à des professionnels qualifiés le soin de retirer la batterie, que ce soit pour la remplacer ou pour la recycler lorsque le produit est arrivée en fin de vie. Pour éviter d'endommager le produit et pour leur propre sécurité, les utilisateurs

ne doivent pas tenter de retirer la batterie et ils doivent demander conseil à l'aide en ligne de LG Service ou à d'autres prestataires de services indépendants.

Le retrait de la batterie implique de démonter le boîtier du produit, de débrancher les câbles/contacts électriques et d'extraire avec précaution la cellule de la batterie en s'aidant d'outils spécialisés. En allant sur <http://www.lge.com/global/sustainability/environment/take-back-recycling>, vous trouverez des instructions destinées aux professionnels qualifiés sur les procédures à employer pour retirer la batterie en toute sécurité.

**Italiano****Rimozione di batterie e accumulatori (SOLO prodotti con batteria incorporata)**

Nel caso in cui il prodotto contenga una batteria incorporata nel prodotto che non può essere facilmente rimossa dall'utente finale, LG raccomanda che la batteria venga rimossa solo da professionisti qualificati, sia per la sostituzione sia per il riciclaggio al termine della vita del prodotto. Per evitare danni al prodotto, e per la propria sicurezza, gli utenti non devono tentare di rimuovere la batteria, ma contattare il Servizio clienti di LG o altri fornitori di servizi indipendenti per ottenere consiglio.

La rimozione della batteria comporta lo smantellamento della custodia del prodotto, la disconnessione di cavi/contatti elettrici, e l'attenta estrazione della cella batteria utilizzando strumenti specifici. In caso di bisogno di istruzioni per professionisti qualificati su come rimuovere la batteria in modo sicuro, si prega di visitare <http://www.lge.com/global/sustainability/environment/take-back-recycling>

**Español****Eliminación de las baterías y acumuladores usados (SOLO para productos con batería integrada)**

En caso de que este producto contenga una batería incorporada que los usuarios finales no pueda retirar fácilmente, LG recomienda que sólo profesionales cualificados retiren la batería, ya sea para su sustitución que para reciclar la batería al final de la vida útil del producto.

Para evitar daños en el producto, y por su propia seguridad, el usuario no debe intentar retirar la batería, debe ponerse en contacto con la Línea de Ayuda de Servicios de LG, o con otros proveedores de servicios independientes para su asesoramiento.

La eliminación de la batería implicará desmontar la carcasa del producto, la desconexión de los cables/contactos eléctricos, y una cuidadosa extracción de la célula de la batería utilizando herramientas especializadas. Si necesita instrucciones de profesionales cualificados sobre cómo retirar la batería de manera segura, por favor visite <http://www.lge.com/global/sustainability/environment/take-back-recycling>

**Português****Remoção de resíduos de pilhas e acumuladores (APENAS produtos com bateria incorporada)**

No caso de este produto conter uma bateria incorporada que não possa ser removida prontamente pelos utilizadores finais, seja para substituição ou reciclagem no fim da vida útil deste produto, a LG recomenda que a sua remoção seja efetuada apenas por técnicos qualificados. Para evitar danificar o produto e para sua própria segurança, os utilizadores não deverão tentar remover a bateria, devendo contactar o Serviço de Assistência LG ou outros fornecedores de serviços independentes.

A remoção da bateria implica a desmontagem da estrutura do produto, a retirada dos cabos/contactos elétricos e a extração cuidadosa da célula da bateria utilizando ferramentas específicas. Se pretender obter instruções de técnicos qualificados sobre o modo de remoção seguro da bateria, visite <http://www.lge.com/global/sustainability/environment/take-back-recycling>

**Nederlands****Verwijdering van afgedankte batterijen en accu's (ALLEEN product ingebedde batterij)**

In het geval dat dit product een binnen het product opgenomen batterij bevat, die niet gemakkelijk kan worden verwijderd door eindgebruikers, raadt LG aan om de batterij alleen door gekwalificeerde professionals te laten verwijderen, zijnde voor vervanging of voor recycling aan het einde van de levensduur van dit product. Om schade aan het product te voorkomen, en voor hun eigen veiligheid, moeten gebruikers niet proberen om de batterij te verwijderen en moeten contact opnemen met de LG-servicehulplijn of andere onafhankelijke serviceproviders voor advies.

Het verwijderen van de batterij betreft demontage van de productbehuizing, verbreken van de verbinding van elektriciteitskabels/contacten en het zorgvuldig uitnemen van de batterijcel met gebruik van gespecialiseerd gereedschap. Als u de instructies voor gekwalificeerde professionals nodig hebt betreffende het veilig verwijderen van de batterij, gaat u naar <http://www.lge.com/global/sustainability/environment/take-back-recycling>

**Ελληνικά****Αφαίρεση χρησιμοποιημένων μπαταριών και συσσωρευτών (ΜΟΝΟ για το προϊόν με την ενσωματωμένη μπαταρία)**

Στην περίπτωση που το προϊόν διαθέτει ενσωματωμένη μπαταρία που δε μπορεί να αφαιρεθεί από το χρήστη, η LG σας προτείνει να απευθυνθείτε σε επαγγελματία για την αφαίρεση της μπαταρίας, εάν πρόκειται να την αντικαταστήσετε ή να τη στείλετε για ανακύκλωση στο τέλος της ζωής της. Για την πρόληψη βλάβης στο προϊόν, και για την ασφάλεια του χρήστη, μην επιχειρήσετε να αφαιρέσετε τη μπαταρία. Απευθυνθείτε στη Γραμμή Βοήθειας της LG, ή σε άλλο επαγγελματία.

Η αφαίρεση της μπαταρίας προϋποθέτει αποσυναρμολόγηση του περιβλήματος του προϊόντος, αποσύνδεση των ηλεκτρικών καλωδίων/επαφών, και προσεκτική απομάκρυνση της μπαταρίας με εξειδικευμένα εργαλεία. Εάν χρειάζεστε τις επαγγελματικές οδηγίες για την αφαίρεση της μπαταρίας, επισκεφθείτε τη διεύθυνση <http://www.lge.com/global/sustainability/environment/take-back-recycling>

**Magyar****Elhasznált elemek és akkumulátorok eltávolítása (KIZÁRÓLAG beágyazott elemmel rendelkező termékek esetében)**

Ha a termék olyan beágyazott elemet tartalmaz, amelyet a termékből a végfelhasználó nem tud könnyedén eltávolítani, az LG azt javasolja, hogy elemcseréhez vagy a termék élettartamának végén az újrahaznosításhoz azt csak szakemberrel távolíttassák el. A termék sérülésének megakadályozása és a saját biztonsága érdekében a felhasználók ne kíséreljék meg az elem eltávolítását, és tanácsadásért vegyék fel a kapcsolatot az LG Service segélyvonalával vagy más független szolgáltatóval.

Az elem eltávolítása során fel kell nyitni a termékházat, le kell csatlakoztatni az elektromos kábeleket/érintkezőket, és speciális szerszámmal óvatosan ki kell emelni az elemcellát. Ha szakember tanácsára van szüksége ahhoz, hogy biztonságosan távolítsa el az elemet, látogasson el a következő webhelyre: <http://www.lge.com/global/sustainability/environment/take-back-recycling>

**Polski****Usuwanie zużytych baterii i akumulatorów (Dotyczy TYLKO produktów z wbudowaną baterią)**

Jeśli ten produkt ma wbudowaną baterię, której konsument nie powinien usuwać samodzielnie, LG zaleca, aby usunięcie baterii (w celu jej wymiany lub recyklingu po zakończeniu cyklu życia produktu) zlecić osobie wykwalifikowanej. Aby uniknąć uszkodzenia produktu i ewentualnego niebezpieczeństwa, użytkownik nie powinien próbować usuwać baterii. Zamiast tego, powinien skontaktować się z LG Service Helpline lub innym niezależnym dostawcą usług w celu uzyskania porady.

Proces usuwania baterii z urządzenia obejmuje zdjęcie obudowy z urządzenia, odłączenie przewodów i styków elektrycznych oraz ostrożne usunięcie ogniw baterii za pomocą specjalistycznych narzędzi. Jeśli potrzebujesz instrukcji bezpiecznego usuwania baterii przeznaczonej dla wykwalifikowanych pracowników, odwiedź stronę <http://www.lge.com/global/sustainability/environment/take-back-recycling>

**Česky****Vyjmutí starých baterií a akumulátorů (POUZE pro výrobek s integrovanou baterií)**

V případě, že tento výrobek obsahuje v produktu integrovanou baterii, kterou koncový uživatel nemůže snadno odstranit, je doporučeno společností LG, aby buď při výměně, nebo za účelem recyklace na konci životnosti tohoto produktu, bylo vyjmutí baterie ponecháno pouze kvalifikovaným odborníkům. Aby nedošlo k poškození výrobku, nebo kvůli vlastní bezpečnosti by se uživatelé neměli pokoušet vyjmout baterii, ale naopak se obrátit o radu na servisní linku LG, nebo na jiné nezávislé poskytovatele služeb.

Vyjmutí baterie bude zahrnovat rozebrání krytu produktu, odpojení elektrických kabelů/kontaktů a pečlivé vyjmutí baterie pomocí specializovaných nástrojů. Potřebujete-li pokyny pro kvalifikované odborníky o tom, jak bezpečně vyjmout baterii, navštivte prosím webové stránky <http://www.lge.com/global/sustainability/environment/take-back-recycling>

**Slovenčina****Vybratie odpadových batérií a akumulátorov (LEN produkt so vstavanou batériou)**

V prípade, ak tento produkt obsahuje batériu vstavanú v produkte, ktorú nedokáže koncový používateľ jednoducho vybrať, spoločnosť LG odporúča, aby batériu na účel výmeny alebo recyklovania po skončení prevádzkovej životnosti tohto produktu vybrali kvalifikovaní odborníci. S cieľom zabrániť poškodeniu produktu a kvôli vlastnej bezpečnosti sa používatelia nesmú pokúšať vyberať batériu a o pomoc musia požiadať linku pomoci servisu LG alebo iných nezávislých poskytovateľov servisu.

Súčasťou vybratia batérie bude rozmontovanie skrinky produktu, odpojenie elektrických káblov/kontaktov a opatrné vybratie článku batérie pomocou špeciálneho náradia. Ak potrebujete pokyny o spôsobe bezpečného vybratia batérie určené pre kvalifikovaných odborníkov, navštívte <http://www.lge.com/global/sustainability/environment/take-back-recycling>

**Română****Eliminarea bateriilor uzate și acumulatorilor uzate (DOAR în cazul produselor cu baterie încorporate)**

În cazul în care bateria este încorporată în produs și nu poate fi îndepărtată de utilizatorul final, LG recomandă ca bateria să fie îndepărtată doar de către un personal calificat; bateria astfel îndepărtată trebuie înlocuită și reciclată la sfârșitul duratei de viață a produsului. Pentru a preveni deteriorarea produsului și producerea oricărei accidente, utilizatorilor li se recomandă să nu îndepărteze bateria, și să contacteze Serviciul de Asistență LG, sau orice altă unitate de servicii individuală.

Eliminarea bateriei implică demontarea carcasei produsului, deconectarea cablurilor/racordurilor electrice și îndepărtarea cu atenție a bateriei, cu folosirea sculelor speciale. Pentru instrucțiunile de îndepărtare în condiții de siguranță a bateriei, destinate personalului calificat, vă rugăm accesați <http://www.lge.com/global/sustainability/environment/take-back-recycling>

**Български****Изхвърляне на отпадъци съдържащи батерии и акумулатори (САМО за продукти с вградена батерия)**

В случай, че този продукт съдържа батерия включена в него, която не може лесно да бъде отстранена от крайните потребители, LG препоръчва само квалифицирани специалисти да изваждат батерията и да я заменят, и продуктът да се даде за рециклиране в края на работния си живот. За да предотвратят повреда на продукта, както и за собствената си безопасност, потребителите не трябва да се опитват да изваждат батерията и трябва да се свържат с LG Service „Гореща линия“, или други независими доставчици на услуги за съвет.

Изваждането на батерията включва демонтаж на кутията на продукта, разединяване на електрическите кабели/контакти, внимателни извличане на клетката на батерията, като се използват специализирани инструменти. Ако имате нужда от инструкциите за квалифицирани специалисти относно това, как да извадите батерията безопасно, моля посетете: <http://www.lge.com/global/sustainability/environment/take-back-recycling>

**Svenska****Kassering av förbrukade batterier och ackumulatörer (Endast produkt med inbyggt batteri)**

Om den här produkten innehåller ett batteri som sitter inbyggt i produkten och inte enkelt kan tas bort av användarna rekommenderar LG att endast behöriga personer tar ur batteriet, antingen för byte eller återvinning i slutet av produktens livslängd. För att förhindra skada på produkten och av säkerhetsskäl får användarna inte försöka ta ur batteriet och ska kontakta LG Service Helpline, eller en annan oberoende tjänsteleverantör för att få hjälp.

Borttagning av batteriet inkluderar demontering av produktens kåpa, frånkoppling av elektriska kablar/kontakter och försiktig uttag av batteriet med specialverktyg. Vid behov av instruktioner från behöriga fackmän kring hur batteriet avlägsnas på ett säkert sätt, besök sidan <http://www.lge.com/global/sustainability/environment/take-back-recycling>

**Norsk****Fjerning av brukte batterier og akkumulatører (KUN produkt med integrert batteri)**

I tilfelle dette produktet inneholder et batteri innlemmet i produktet som ikke enkelt kan fjernes av sluttbrukere, anbefaler LG at kun kvalifisert fagpersonale fjerner batteriet, enten for bytte eller for resirkulering ved slutten av dette produktets brukstid. For å unngå skade på produktet, og for deres egen sikkerhet, bør brukere ikke prøve å fjerne batteriet, og bør kontakte LG Service Helpline, eller andre uavhengige serviceleverandører for råd.

Fjerning av batteriet vil involvere demontering av produktets deksel, frakobling av elektriske kabler/kontakter, og forsiktig uttrekking av battericellen med spesialverktøy. Hvis du trenger instruksjonene for kvalifisert fagpersonale om hvordan batteriet fjernes trygt, gå til <http://www.lge.com/global/sustainability/environment/take-back-recycling>

**Dansk****Fjernelse af opbrugte batterier og akkumulatører (KUN produkter med integreret batteri)**

Hvis produktet har et indbygget batteri, som ikke nemt kan fjernes af sluttbrugere, anbefaler LG, at batteriet kun bliver fjernet af kvalificerede teknikere, både hvis det er til udskiftning eller genbrug i slutning af produktets levetid. Med henblik på at forhindre skade på produktet og af hensyn til brugernes sikkerhed må sidstnævnte ikke selv forsøge at fjerne batteriet, og de bør kontakte LG Service Helpline eller en anden uafhængig serviceleverandør angående råd herom.

Fjernelse af batteriet involverer demontering af produkthuset, afbrydelse af de elektriske kabler/kontakter og forsigtig udtagning af battericellen ved hjælp af specialværktøjer. Hvis du har brug for vejledningen for kvalificerede teknikere om, hvordan batteriet sikkert skal fjernes, kan du besøge <http://www.lge.com/global/sustainability/environment/take-back-recycling>

**Suomi****Käytettyjen paristojen/akkujen poisto (Tuote VAIN kiinteällä akulla)**

Tässä tapauksessa tuote pitää sisällään akun joka on liitetty kiinteästi tuotteeseen ja jota ei voida välittömästi poistaa loppukäyttäjien toimesta, LG suosittelee että vain pätevöityt ammattilaiset poistavat akun, joko vaihtoa varten tai kierrätettäväksi tämän tuotteen käyttöänsä päätyttyä. Estääkseen tuotteelle tapahtuvaa vahinkoa ja taatakseen oman turvallisuutensa, käyttäjien ei pidä yrittää irrottaa akkua vaan ottaa yhteyttä LG-palvelulinjaan tai muuhun itsenäiseen palveluomittajaan saadakseen ohjeistusta.

Akun irrotus käsittää tuotteen kuoren purkamisen, sähköjohtojen/-liitäntöjen irrotuksen, ja akkukennon irrotuksen erikoistyökaluilla. Jos tarvitset ohjeita pätevöityttä ammattilaisia varten koskien akun turvallista irrotusta, vieraille osoitteessa <http://www.lge.com/global/sustainability/environment/take-back-recycling>



**Eesti****Kasutatud patareide ja akude eemaldamine (AINULT kaetud akudega toote korral)**

Juhul, kui tootel on toote sisemuses asuv aku, mida lõppkasutaja ei saa lihtsalt eemaldada, soovitab LG aku eemaldamiseks, nii vahetamise kui toote kasutusea lõppedes hävitamiseks, kasutada ainult kvalifitseeritud personali abi. Selleks, et vältida toote kahjustusi ning tagada enda ohutus, ei tohi kasutaja akut ise eemaldada ning abi saamiseks tuleb ühendust võtta LG teenuste kasutajatoega või mistahes muu edasimüüjaga

Aku eemaldamisel tuleb eemaldada toote korpus, katkestada elektrijuhmete/-kontaktide ühendus ning vastava tööriistaga eemaldada ettevaatlikult akuelement. Kui vajate aku ohutuks eemaldamiseks professionaalset abiinfot, külastage veebilehte <http://www.lge.com/global/sustainability/environment/take-back-recycling>

**Lietuvių k.****Baterijų ir akumuliatorių atliekų pašalinimas (TIK produktams su integruotu akumulatoriumi)**

Jei šiam produktui įmontuotas akumulatorius, kurio tiesioginis naudotojas lengvai pašalinti negali, „LG“ rekomenduoja kad akumulatorių, jo keitimo atveju arba perdirbimo produkto tarnavimo laiko pabaigoje, pašalintų tik kvalifikuoti specialistai. Siekiant apsaugoti įrenginį nuo apgadinimo ir jūsų pačių saugumui, naudotojai neturėtų bandyti patys pašalinti akumulatoriaus ir norėdami gauti patarimų turėtų susisiekti su „LG“ Paslaugų pagalbos linija ar kitais nepriklausomais paslaugų tiekėjais.

Akumulatoriaus pašalinimas apima produkto korpuso išardymą, elektrinių kabelių/kontaktų atjungimą ir atsargų akumulatoriaus elemento išėmimą naudojant specialius įrankius. Jei jums reikia kvalifikuotiems specialistams skirtų instrukcijų kaip saugiai pašalinti akumulatorių, prašome apsilankyti <http://www.lge.com/global/sustainability/environment/take-back-recycling>

**Latviešu****Nederīgo bateriju un akumulatoru izņemšana (TIKAI produktiem ar iebūvētu akumulatoru)**

Ja šim produktam ir akumulators, kas iebūvēts produktā tā, ka gala lietotājs to nevar vienkārši izņemt, LG iesaka akumulatora izņemšanu nomaiņas vai pārstrādes nolūkos produkta dzīves cikla beigās uzticēt tikai kvalificētiem speciālistiem. Lai nenodarītu kaitējumu produktam un pasargātu sevi, lietotājiem nevajadzētu mēģināt izņemt akumulatoru un vajadzētu konsultēties ar LG palīdzības dienestu vai kādu neatkarīgu pakalpojumu sniedzēju.

Lai izņemtu produkta akumulatoru, ir jānoņem produkta korpus, jāatvieno vadi un kontakti un ar īpašiem darbarikiem uzmanīgi jāizņem akumulators. Ja jums nepieciešamas kvalificētiem speciālistiem paredzētās norādes par akumulatora drošu izņemšanu, dodieties uz <http://www.lge.com/global/sustainability/environment/take-back-recycling>

**Slovenščina****Odstranjevanje odpadnih baterij in akumulatorjev (SAMO izdelki z vgrajeno baterijo)**

Če izdelek vsebuje v izdelek vgrajene baterije in jih končni uporabnik ne more zlahka odstraniti, vam LG priporoča, da poiščete pomoč usposobljenega strokovnjaka, bodisi za zamenjavo baterije ali za recikliranje ob koncu delovne dobe tega izdelka. Za preprečevanje poškodb na izdelku in varnost uporabnika, ne odstranjujte baterij sami, ampak si poiščite pomoč servisa LG Service Helpline, ali drugega neodvisnega servisa, ki nudi takšne storitve.

Odstranitev baterije bo vključevala, v primeru odstranitve izdelka, prekinitev električnih kablov/kontaktov in previdno odstranitev baterije, z uporabo ustreznega specialnega orodja. Če potrebujete navodila za kvalificirane strokovnjake o tem, kako varno odstraniti baterijo, obiščite spletno stran <http://www.lge.com/global/sustainability/environment/take-back-recycling>

**Srpski****Uklanjanje starih istrošenih baterija i akumulatora (JEDINO proizvod sa ugrađenom baterijom)**

U slučaju da ovaj proizvod sadrži bateriju koju krajnji korisnik ne može jednostavno da izvadi, LG preporučuje da to uradi samo kvalifikovana osoba, bilo da se radi o zameni ili recikliranju baterije nakon što se istroši. Kako bi se sprečio nastanak bilo kakvog oštećenja na proizvodu, a i zbog svoje lične sigurnosti, korisnici nikako ne treba da pokušavaju da sami izvade bateriju, već treba da pozovu LG pomoćni servis ili nekog drugog nezavisnog provajdera za savet.

Vađenje baterije će podrazumevati demontiranje kutije proizvoda, isključivanje električnih kablova i oprezno vađenje stanice baterije koristeći posebne alate. Ako Vam je potrebna pomoć kvalifikovane osobe da biste videli kako se to radi, molimo Vas da pogledate veb stranicu <http://www.lge.com/global/sustainability/environment/take-back-recycling>

**Hrvatski****Uklanjanje potrošenih baterija/ akumulatora (SAMO uređaji s ugrađenim baterijama/akumulatorima)**

U slučaju kada uređaj sadrži ugrađenu bateriju/akumulator unutar proizvoda koju ne može izvaditi krajni korisnik, LG preporučuje neka bateriju/akumulator izvadi samo kvalificirano osoblje, bilo radi zamjene ili recikliranja na kraju vijeka trajanja proizvoda. Radi sprječavanja oštećenja proizvoda i radi vlastite sigurnosti, korisnici ne smiju pokušavati izvaditi bateriju/akumulator i trebaju kontaktirati telefonsku liniju za pomoć LG servisa ili druge nezavisne pružatelje servisa i zatražiti savjet.

Uklanjanje baterije/akumulatora uključuje rastavljanje kućišta proizvoda, odspajanje električnih kabela/priključaka i pažljivo vađenje ćelije baterije pomoću posebnog alata. Ako trebate upute kvalificiranih profesionalaca kako izvaditi bateriju na siguran način, molimo posjetite <http://www.lge.com/global/sustainability/environment/take-back-recycling>

**Türkçe****Atık batarya ve akülerin çıkarılması (SADECE gömülü bataryalı üründe)**

Bu üründe, nihai kullanıcılar tarafından kolaylıkla çıkarılamayan bataryanın ürünle birleşik konumda olması halinde LG, ister batarya değişiminde ister bu ürünün kullanım süresinin sonunda gerçekleşecek olan bataryanın geri dönüşümünde bataryanın sadece nitelikli ve uzman kişiler tarafından çıkarılmasını tavsiye eder. Kullanıcılar, ürünün zarar görmesini engellemek ve kendi güvenliklerini sağlamak için bataryayı çıkarmaya kalkışmamalı ve öneri konusunda LG Servis Yardım Hattı ya da diğer bağımsız servis sağlayıcıları ile iletişime geçmelidir.

Bataryayı çıkarma işlemi, ürün kasasının sökülmesini, elektrik kablo/bağlantılarının kesilmesini ve özel aletler kullanılarak bataryanın dikkatli bir şekilde çıkarılmasını kapsar. Nitelikli ve uzman kişilerin bataryayı güvenli bir şekilde çıkarmalarına yönelik talimatlara ihtiyaç duymanız halinde lütfen <http://www.lge.com/global/sustainability/environment/take-back-recycling/baglantisina gidiniz>.

**Македонски****Отстранување на потрошените батерии и акумулатори (САМО производи со вградена батерија)**

Доколку производот содржи батерија што е вградена во производот и што не можат крајните корисници да ја отстранат, LG препорачува батеријата да ја отстранат само квалификувани професионални лица, било да е за менување или за рециклирање по истекот на животниот век на производот. За да спречат оштетување на производот и поради нивна сопствена безбедност, корисниците не треба да се обидуваат да ја отстрануваат батеријата и треба да ја контактираат линијата за помош при услуги на LG или други независни испорачувачи на услуги.

Отстранувањето на батеријата значи и расклопување на кукиштето на производот, исклучување на електричните кабли/ контакти и внимателно вадење на батеријата со специјализиран алат. Доколку ви се потребни инструкциите за квалификувани професионални лица за тоа како да ја отстраните батеријата безбедно, посетете ја веб-страницата <http://www.lge.com/global/sustainability/environment/take-back-recycling>

**Русски****Извлечение отработанных батарей и аккумуляторов (ТОЛЬКО для продуктов со встроенной батареей)**

В случае, если данный продукт имеет встроенную батарею, которую конечные пользователи не могут без труда извлечь, компания LG рекомендует для извлечения батареи обращаться только к квалифицированным профессионалам для ее замены или утилизации по окончании срока службы данного продукта. Во избежание повреждения продукта и в целях обеспечения собственной безопасности пользователям следует избегать попыток извлечь батарею и следует связаться со Службой поддержки LG или другими независимыми поставщиками услуг для получения совета.

Извлечение батареи включает в себя демонтаж корпуса продукта, отключение электрических кабелей/контактов и осторожное извлечение элемента батареи, используя специализированные инструменты. Для получения инструкций по безопасному извлечению батареи для квалифицированных профессионалов, пожалуйста, посетите <http://www.lge.com/global/sustainability/environment/take-back-recycling>

**WEEE****ENGLISH****Disposal of your old appliance**

- 1 This crossed-out wheeled bin symbol indicates that waste electrical and electronic products (WEEE) should be disposed of separately from the municipal waste stream.
- 2 Old electrical products can contain hazardous substances so correct disposal of your old appliance will help prevent potential negative consequences for the environment and human health. Your old appliance may contain reusable parts that could be used to repair other products, and other valuable materials that can be recycled to conserve limited resources.
- 3 You can take your appliance either to the shop where you purchased the product, or contact your local government waste office for details of your nearest authorised WEEE collection point. For the most up to date information for your country please see [www.lg.com/global/recycling](http://www.lg.com/global/recycling)

**БЪЛГАРСКИ****Изхвърляне на стария уред**

- 1 Символът със зачертания контейнер показва, че отпадъците от електрическите и електронните продукти (WEEE) трябва да се изхвърлят отделно от битовите отпадъци.
- 2 Старите електрически продукти могат да съдържат опасни вещества и правилното изхвърляне на Вашия уред ще помогне за предотвратяване на негативните последици за околната среда и човешкото здраве. Вашият стар уред може да съдържа части за многократна употреба, които биха могли да бъдат използвани за ремонт на други продукти, както и други ценни материали, които могат да бъдат рециклирани с цел запазване на ограничените ресурси.
- 3 Можете да занесете Вашия уред или в магазина, от който сте го закупили или можете да се свържете с местния държавен офис за отпадъците, за да получите информация за най-близкия РАЗРЕШЕН WEEE пункт за събиране на отпадъци. За най-актуална информация от Вашата държава, моля, погледнете тук: [www.lg.com/global/recycling](http://www.lg.com/global/recycling)

**HRVATSKI****Zbrinjavanje starog uređaja**

- 1 Ovaj simbol prekržižene kante za smeće na kotačićima označava kako se otpadni električni i električni proizvodi (WEEE) moraju zbrinjavati odvojeno od komunalnog otpada.
- 2 Dotrajali električni proizvodi mogu sadržavati opasne tvari stoga će ispravno zbrinjavanje vaših dotrajalih uređaja pomoći u sprječavanju potencijalnih negativnih posljedica na okoliš i ljudsko zdravlje. Vaš dotrajao uređaj može sadržavati dijelove koji se mogu ponovo iskoristiti za popravak drugih proizvoda te druge vrijedne materijale koji se mogu reciklirati i tako sačuvati ograničene resurse.
- 3 Ovisno o razini smetnje / štete i dobi stavke, stari proizvodi mogu se popraviti za više radnog života koji će spriječiti izbjeci otpada. Proizvodi koji nisu prikladni za ponovnu uporabu može se reciklirati da se oporavim vrijedne resurse i pomoći da se smanji globalno potrošnju novih sirovina.
- 4 Uređaj možete odnijeti u trgovinu u kojoj ste kupili proizvod ili možete kontaktirati ured za zbrinjavanje otpada kod vaših mjesnih nadležnih tijela te od njih saznati više informacija o najbližem ovlaštenom WEEE sabirnom centru. Za najnovije informacije iz vaše države molimo pogledajte internetske stranice [www.lg.com/global/recycling](http://www.lg.com/global/recycling).

**ČESKY****Likvidace starého přístroje**

- 1 Tento symbol přeškrtnutého koše značí, že odpad z elektrických a elektronických výrobků (WEEE) je nutné likvidovat odděleně od linky komunálního odpadu.
- 2 Staré elektrické výrobky mohou obsahovat nebezpečné látky, takže správná likvidace starých přístrojů pomůže zabránit potenciálním negativním důsledkům pro životní prostředí a lidské zdraví. Staré přístroje mohou obsahovat znovu použitelné díly, které lze použít k opravě dalších výrobků a další cenné materiály, které lze recyklovat a šetřit tak omezené zdroje.
- 3 Přístroj můžete zanést buď do obchodu, kde jste ho zakoupili nebo se obrátit na místní správu komunálních odpadů, kde získáte podrobné informace o autorizovaném sběrném místě WEEE. Pro poslední aktuální informace z vaší země si prosím prostudujte web [www.lg.com/global/recycling](http://www.lg.com/global/recycling)

**DANSK****Bortskaffelse af dit gamle apparat**

- 1 Dette symbol med en affaldsspand med kryds over angiver at elektrisk og elektronisk affald (WEEE) skal bortskaffes og genbruges korrekt, adskilt fra kommunens husholdningsaffald.
- 2 Gamle elektriske produkter kan indeholde farlige stoffer, så når du bortskaffer dit gamle apparat på korrekt vis, hjælper du med at forhindre mulige negative konsekvenser for miljø og mennesker. Dit gamle apparat kan indeholde dele som kan genbruges, fx til at reparere andre produkter, eller værdifulde materialer som kan genbruges og derved begrænse spild af værdifulde ressourcer.
- 3 Du kan enten tage apparatet til den butik hvor du købte det, eller kontakte dit lokale affaldskontor angående oplysninger om det nærmeste, autoriserede WEEE-samlingspunkt. Find de sidste nye oplysninger for dit land på [www.lg.com/global/recycling](http://www.lg.com/global/recycling)

**EESTI****Teie vana seadme hävitamine**

- 1 Läbitõmmatud ristiga prügikasti sümbol tähendab, et elektriliste ja elektrooniliste toodete (WEEE) jäätmeid tuleb olmeprügist eraldi hävitada.
- 2 Vanad elektriseadmed võivad sisaldada ohtlikke koostisosi, seega aitab prügi nõuetekohane hävitamine vältida võimalikku negatiivset mõju loodusele ja inimeste tervisele. Teie kasutatud seade võib sisaldada taaskasutatavaid osi, millega saab parandada teisi seadmeid ning muid väärtuslikke materjale, mida saab taaskasutada, et säilitada piiratud ressursse.
- 3 Saate viia oma seadme kas kauplusesse, kust see on ostetud või võtta ühendust kohaliku prügiveo ettevõttega, et saada lisainfot oma lähima WEEE jäätmete kogumiskoha kohta. Kõige ajakohasemat infot oma riigi kohta vaadake [www.lg.com/global/recycling](http://www.lg.com/global/recycling)

**SUOMI****Vanhan laitteesi hävittäminen**

- 1 Tämä yliristitettü jätteenmerkki ilmaisee, että sähkö- ja elektroniikkalaitteiden jätteet (WEEE) tulee pitää erillään kotitalousjätteestä ja viedä kunnalliseen kierrätyskeskukseen.
- 2 Vanhat sähkötuotteet voivat pitää sisällään vaarallisia aineita, joten loppuun käytetyn laitteen oikea hävittäminen ehkäisee ympäristö- ja terveyshaittoja. Vanha laitteesi saattaa pitää sisällään uudelleen käytettäviä osia, joita voidaan käyttää korjaamaan muita tuotteita sekä arvokkaita materiaaleja, joita voidaan kierrättää rajoitettujen resurssien säästämiseksi.
- 3 Voit viedä laitteesi joko liikkeeseen, josta hankit laitteen, tai ottaa yhteyttä paikallishallintosi ympäristötoimistoon koskien lähintä valtuutettua WEEE-keräyspistettä. Kaikkein viimeisimmät tiedot koskien maatasi, ks. osoitteessa [www.lg.com/global/recycling](http://www.lg.com/global/recycling)

**FRANÇAIS****Recyclage de votre ancien appareil**

- 1 Ce symbole de poubelle barrée d'une croix indique que votre équipement électrique et électronique (EEE) ne doit pas être jeté avec les ordures ménagères. Il doit faire l'objet d'un tri et d'une collecte sélective séparée.
- 2 Les équipements électriques que vous jetez peuvent contenir des substances dangereuses. Il est donc important de les jeter de façon appropriée afin d'éviter des impacts négatifs sur l'environnement et la santé humaine. L'équipement que vous jetez peut également contenir des pièces réutilisables pour la réparation d'autres produits ainsi que des matériaux précieux pouvant être recyclés pour préserver les ressources de la planète.
- 3 Vous pouvez rapporter votre appareil au commerçant qui vous l'a vendu ou contacter votre collectivité locale pour connaître les points de collecte de votre EEE. Vous trouverez également des informations à jour concernant votre pays en allant sur [www.quefairedemesdechets.fr](http://www.quefairedemesdechets.fr)

**DEUTSCH****Entsorgung Ihrer Altgeräte**

- 1 Das durchgestrichene Symbol eines fahrbaren Abfallbehälters weist darauf hin, dass Elektro- und Elektronik-Produkte (WEEE) getrennt vom Hausmüll entsorgt werden müssen.
- 2 Alte elektrische Produkte können gefährliche Substanzen enthalten, die eine korrekte Entsorgung dieser Altgeräte erforderlich machen, um schädliche Auswirkungen auf die Umwelt und die menschliche Gesundheit zu vermeiden. Ihre ausgedienten Geräte können wiederverwendbare Teile enthalten, mit denen möglicherweise andere Produkte repariert werden können, aber auch sonstige wertvolle Materialien enthalten, die zur Schonung knapper Ressourcen recycelt werden können.
- 3 Sie können Ihr Gerät entweder in den Laden zurückbringen, in dem Sie das Produkt ursprünglich erworben haben oder Sie kontaktieren Ihre Gemeindeabfallstelle für Informationen über die nächstgelegene autorisierte WEEE Sammelstelle. Die aktuellsten Informationen für Ihr Land finden Sie unter [www.lg.com/global/recycling](http://www.lg.com/global/recycling)

**ΕΛΛΗΝΙΚΑ****Απόρριψη της παλιάς σας συσκευής**

- 1 Αυτό το διαγραμμένο σύμβολο του τροχοφόρου κάδου υποδεικνύει ότι τα απόβλητα ηλεκτρικών και ηλεκτρονικών προϊόντων (ΑΗΗΕ) πρέπει να απορρίπτονται χωριστά από τα γενικά οικιακά απορρίμματα.
- 2 Τα παλιά ηλεκτρικά προϊόντα μπορεί να περιέχουν επικίνδυνες ουσίες και ως εκ τούτου η σωστή απόρριψη της παλιάς σας συσκευής αποτρέπει ενδεχόμενες αρνητικές συνέπειες για το περιβάλλον και την ανθρώπινη υγεία. Η παλιά σας συσκευή μπορεί να περιέχει επαναχρησιμοποιήσιμα ανταλλακτικά που θα μπορούσαν να χρησιμοποιηθούν για την επισκευή άλλων προϊόντων, καθώς και άλλα υλικά αξίας που μπορούν να ανακυκλωθούν για εξοικονόμηση των περιορισμένων φυσικών πόρων.
- 3 Μπορείτε να πάτε τη συσκευή σας, είτε στο κατάστημα από το οποίο αγοράσατε το προϊόν, ή να επικοινωνήσετε το τοπικό γραφείο απορριμμάτων για λεπτομέρειες σχετικά με το πλησιέστερο εγκεκριμένο σημείο συλλογής ΑΗΗΕ (Απόβλητα Ηλεκτρικών και Ηλεκτρονικών Συσκευών). Για τις πιο πρόσφατες πληροφορίες για τη χώρα σας επισκεφθείτε τη διεύθυνση [www.lg.com/global/recycling](http://www.lg.com/global/recycling)

**MAGYAR****A régi készülék ártalmatlanítása**

- 1 A leselejtezett elektromos és elektronikai termékeket a háztartási hulladéktól elkülönítve kell begyűjteni, a jogszabályok által kijelölt módon és helyen.
- 2 Régi készülékeinek megfelelő leselejtezése segíthet megelőzni az esetleges egészségre vagy környezetre ártalmas hatásokat.
- 3 Ha további információra van szüksége régi készülékeinek leselejtezésével kapcsolatban, lépjen kapcsolatba velünk a [szelektalok.hu](http://szelektalok.hu) oldalon ahol tájékoztatjuk Önt visszavételi, átvételi, gyűjtési és kezelési kötelezettségeinkről.

**ITALIANO****Smaltimento delle apparecchiature obsolete**

- 1 Tutte le apparecchiature elettriche ed elettroniche, contrassegnate da questo simbolo ("bidone della spazzatura barrato da una croce"), devono essere raccolte e smaltite separatamente rispetto agli altri rifiuti urbani misti mediante impianti di raccolta specifici installati da enti pubblici o dalle autorità locali. Si ricorda che gli utenti finali domestici possono consegnare gratuitamente le apparecchiature elettriche ed elettroniche a fine vita presso il punto vendita all'atto dell'acquisto di una nuova apparecchiatura equivalente. Gli utenti finali domestici possono inoltre consegnare gratuitamente apparecchiature elettriche ed elettroniche di piccolissime dimensioni (non eccedenti i 25 cm) a fine vita direttamente presso un punto vendita a ciò abilitato, senza obbligo di acquistare una apparecchiatura nuova di tipo equivalente. Si prega di informarsi previamente presso il punto vendita prescelto circa tale ultima modalità di conferimento dell'apparecchiatura a fine vita.
- 2 Il corretto smaltimento dell'unità obsoleta contribuisce a prevenire possibili conseguenze negative sulla salute degli individui e sull'ambiente. Una gestione responsabile del fine vita delle apparecchiature elettriche ed elettroniche da parte degli utenti contribuisce al riutilizzo, al riciclaggio ed al recupero sostenibile dei prodotti obsoleti e dei relativi materiali.
- 3 Per informazioni più dettagliate sullo smaltimento delle apparecchiature obsolete, contattare l'ufficio del comune di residenza, il servizio di smaltimento rifiuti o il punto vendita in cui è stato acquistato il prodotto. ([www.lg.com/global/recycling](http://www.lg.com/global/recycling))

**LATVIEŠU****Jūsu vecās ierīces likvidēšana**

- 1 Šis simbols – pārsvītrotā atkritumu tvertne uz rītniem – norāda, ka elektrisko un elektronisko iekārtu atkritumi (EEIA) jālikvidē atsevišķi no sadzīves atkritumu plūsmas.
- 2 Veci elektriskie izstrādājumi var saturēt bīstamas vielas, tādēļ jūsu vecās ierīces pareiza likvidēšana palīdzēs novērst iespējamās negatīvās sekas videi un cilvēka veselībai. Jūsu vecā ierīce var saturēt vairākkārt izmantojamas detaļas, kuras var izmantot citu izstrādājumu remontam, un citus vērtīgus materiālus, kurus var pārstrādāt, tādējādi saglabājot ierobežotus resursus.
- 3 Jūs varat aiznest ierīci vai nu uz veikalu, kurā šo izstrādājumu iegādājāties, vai sazināties ar vietējās pašvaldības atkritumu savākšanas iestādi un uzzināt sīkāku informāciju par tuvāko oficiālo EEIA savākšanas punktu. Jaunāko informāciju par savu valsti skatiet vietnē [www.lg.com/global/recycling](http://www.lg.com/global/recycling).

**LIETUVIŲ****Seno prietaiso utilizavimas**

- 1 Išbrauktos šiukšlių dėžės simbolis rodo, kad elektros ir elektronikos įrangos atliekos (EEJA) turėtų būti utilizuojamos atskirai nuo komunalinių atliekų.
- 2 Senoje elektrinėje įrangoje gali būti pavojingų medžiagų, taigi tinkamas seno prietaiso utilizavimas padės apsaugoti nuo galimų neigiamų pasekmių aplinkai ir žmonių sveikatai. Jūsų sename prietaise gali būti dalių, kurias galima panaudoti dar kartą taisant kitą įrangą ir kitų vertingų medžiagų, kurios gali būti perdirbamos siekiant tausoti ribotus išteklius.
- 3 Savo prietaisą galite nugabenti į parduotuvę, kurioje įrangą įsigijote, arba susisieki su vietos valdžios atliekų tarnyba norėdami gauti artimiausio EEJA surinkimo vietos informaciją. Norėdami gauti daugiau informacijos savo šalyje, apsilankykite [www.lg.com/global/recycling](http://www.lg.com/global/recycling)

**NETHERLANDS****Verwijdering van uw oude apparaat**

- 1 Dit symbool van de doorgekruste vuilnisbak geeft aan dat afgedankte elektrische en elektronische producten (WEEE) afzonderlijk van het huishoudelijke afval moeten worden verwijderd.
- 2 Oude elektrische producten kunnen gevaarlijke stoffen bevatten, dus een juiste verwijdering van uw oude apparaat helpt bij het voorkomen van mogelijke negatieve gevolgen voor het milieu en de volksgezondheid. Uw oude apparaat kan herbruikbare onderdelen bevatten die gebruikt zouden kunnen worden voor het repareren van andere producten, en andere waardevolle materialen die kunnen worden gerecycleerd voor het behoud van beperkte grondstoffen.
- 3 U kunt uw apparaat meenemen naar de winkel waar u het product hebt gekocht, of u kunt contact opnemen met uw plaatselijke afvalinstantie voor de gegevens van uw dichtstbijzijnde geautoriseerde WEEE-verzamelpunt. Voor de meest geactualiseerde informatie voor uw land wordt verwezen naar [www.lg.com/global/recycling](http://www.lg.com/global/recycling)

**NORSK****Avhending av gamle apparater**

- 1 Dette symbolet av en utkrysset avfallsdunk indikerer at kasserte elektriske og elektroniske produkter (WEEE) skal kastes separat fra husholdningsavfall og leveres til den kommunale resirkulering.
- 2 Gamle elektriske produkter kan inneholde farlige stoffer, så korrekt avfallshåndtering av det gamle apparatet bidrar til å hindre potensielt negative konsekvenser for miljøet og andres helse. Gamle apparater kan inneholde gjenbrukbare deler som kan brukes til å reparere andre produkter og andre verdifulle materialer som kan resirkuleres for å bevare begrensede ressurser.
- 3 Du kan bringe apparatet enten til butikken der du kjøpte produktet, eller ta kontakt med den lokale myndighetens avfallskontor for informasjon om nærmeste autoriserte innsamlingspunkt for el-avfall (WEEE-avfall). For den mest oppdaterte informasjonen for ditt land, gå til [www.lg.com/global/recycling](http://www.lg.com/global/recycling)

**POLSKI****Utylizacja starego urządzenia**

- 1 Symbol przekreślonego pojemnika na odpady na kółkach oznacza, że produkty elektryczne lub elektroniczne (WEEE) należy zutylizować poza obiegiem odpadów komunalnych.
- 2 Stare produkty elektroniczne mogą zawierać niebezpieczne substancje. Właściwa utylizacja starego urządzenia pozwoli uniknąć potencjalnych negatywnych skutków dla środowiska i zdrowia. Stare urządzenie może zawierać części wielokrotnego użytku, które mogą zostać wykorzystane do naprawy innych produktów lub inne wartościowe materiały, które można przetworzyć, aby oszczędzać zasoby naturalne.
- 3 Możesz zanieść urządzenie do sklepu, w którym zostało kupione lub skontaktować się z lokalnym urzędem gospodarki odpadami, aby uzyskać informacje o najbliższym punkcie zbiórki WEEE. Aby uzyskać aktualne informacje z zakresu gospodarki odpadami obowiązującej w Twoim kraju, odwiedź stronę <http://www.lg.com/global/sustainability/environment/take-back-recycling/global-network-europe> (plik PDF : „For more information about how to recycle LG products in your country“).

**PORTUGUÊS****Eliminação do seu aparelho usado**

- 1 Este símbolo de um caixote do lixo com rodas e linhas cruzadas sobrepostas indica que os resíduos de produtos elétricos e eletrônicos (WEEE) devem ser eliminados separadamente do lixo doméstico.
- 2 Os produtos elétricos usados podem conter substâncias perigosas, pelo que, a eliminação correta do seu aparelho usado pode contribuir para evitar potenciais danos para o ambiente e saúde humana. O seu aparelho usado pode conter peças reutilizáveis que podem ser usadas para reparar outros aparelhos e materiais úteis que podem ser reciclados para preservar os recursos limitados.
- 3 Pode levar o seu aparelho à loja onde o adquiriu ou contactar a sua entidade local de recolha e tratamento de resíduos para obter mais informações sobre o ponto de recolha WEEE autorizado mais próximo. Para obter informações mais atualizadas relativas ao seu país, visite [www.lg.com/global/recycling](http://www.lg.com/global/recycling)

**ROMÂNĂ****Eliminarea aparatului vechi**

- 1 Simbolul de peșteră indică faptul că deșeurile electrice și electronice (WEEE) trebuie eliminate separat de celelalte deșeuri.
- 2 Produsele electrice și electronice vechi conțin substanțe periculoase. Astfel, prin eliminarea corespunzătoare veți contribui la prevenirea deteriorării mediului înconjurător și al sănătății umane. Este posibil ca dispozitivul dvs. vechi să conțină piese componente, care pot fi folosite pentru repararea altor produse sau materiale importante care pot fi reciclate în scopul economisirii resurselor limitate.
- 3 Dispozitivul vechi poate fi returnat magazinului de unde a fost achiziționat, sau puteți contacta firma responsabilă pentru eliminarea deșeurilor, în scopul aflării locației unității autorizate pentru reciclarea deșeurilor electrice și electronice (WEEE). Pentru informații mereu actualizate și referitoare la țara dvs. vă rugăm vizitați pagina web [www.lg.com/global/recycling](http://www.lg.com/global/recycling)

**SRPSKI****Odlaganje starog aparata**

- 1 Ovaj simbol precrtna kanta za smeće pokazuje da električni i elektronski otpad (WEEE) treba da se odlaže odvojeno od običnog komunalnog otpada.
- 2 Stari električni aparati mogu da sadrže otrovne supstance, tako da će pravilno odlaganje Vašeg starog aparata pomoći sprečavanju pojave negativnih posledica po životnu sredinu i zdravlje ljudi. Vaš stari aparat može da sadrži delove za višekratnu upotrebu koji se mogu koristiti za zamenu drugih proizvoda i druge vredne materijale koji se mogu reciklirati radi očuvanja ograničenih resursa.
- 3 Vaš aparat možete da odnesete u radnju gde ste ga kupili ili da kontaktirate lokalnu vladinu kancelariju za otpad kako biste dobili informaciju o najbližjoj autorizovanoj WEEE stanici za odlaganje ovog otpada. Za najnovije informacije za Vašu zemlju, molimo Vas da pogledate web stranicu [www.lg.com/global/recycling](http://www.lg.com/global/recycling)

**SLOVENSKY****Zneškodnenie starého spotrebiča**

- 1 Tento symbol prečiarknutého odpadkového koša na kolieskach znamená, že odpad z elektrických a elektronických zariadení (WEEE) musí byť zneškodnený samostatne od komunálneho odpadu.
- 2 Staré elektrické produkty môžu obsahovať nebezpečné latky, preto správne zneškodnenie vášho starého spotrebiča pomôže zabrániť potenciálnym negatívnym dopadom na prostredie a ľudské zdravie. Váš starý spotrebič môže obsahovať diely, ktoré možno opätovne použiť na opravu iných produktov, a iné cenné materiály, ktoré možno recyklovať s cieľom chrániť obmedzené zdroje.
- 3 Svoj spotrebič môžete zaniest do predajne, kde ste produkt zakúpili, alebo sa môžete obrátiť na oddelenie odpadov miestnej samosprávy a požiadať o informácie o najbližšom zbernom mieste odpadu z elektrických a elektronických zariadení (WEEE). Najnovšie informácie platné pre vašu krajinu nájdete na stránke [www.lg.com/global/recycling](http://www.lg.com/global/recycling)

**SLOVENŠČINA****Odstranjevanje vašega starega aparata**

- 1 Na izdelku prečrtan simbol smetnjaka opozarja, da je treba odpadne električne in elektronske izdelke (OEEL) odstranjevati ločeno od ostalih komunalnih odpadkov.
- 2 Odpadni električni izdelki lahko vsebujejo nevarne snovi, zato s pravilnim odstranjevanjem starega aparata pripomorete k preprečevanju morebitnih negativnih vplivov na okolje in zdravje ljudi. Vaš stari aparat lahko vsebuje dele, ki bi jih bilo mogoče uporabiti za popravilo drugih izdelkov, in druge dragocene materiale, ki jih je mogoče reciklirati in s tem ohranjati omejene vire.
- 3 Vaš aparat lahko odnesete bodisi v trgovino, kjer ste kupili ta izdelek, ali pa se obrnite na lokalni urad za odstranjevanje odpadkov glede podrobnosti o najbližjem pooblaščenem zbirnem mestu za OEEL. Za najnovjše informacije za vašo državo si ogledjte [www.lg.com/global/recycling](http://www.lg.com/global/recycling)

**ESPAÑOL****Símbolo para marcar AEE**

- 1 El símbolo del contenedor de basura tachado con un aspa indica que la recogida separada de aparatos eléctricos y electrónicos (AEE) debe realizarse de manera separada.
- 2 Los productos eléctricos antiguos pueden contener sustancias peligrosas de modo que la correcta eliminación del antiguo aparato ayudará a evitar posibles consecuencias negativas para el medio ambiente y para la salud humana. El antiguo aparato puede contener piezas reutilizables que podrían utilizarse para reparar otros productos y otros materiales valiosos que pueden reciclarse para conservar los recursos limitados.
- 3 Puede llevar el aparato a cualquiera de los centros autorizados para su recogida. Para obtener la información más actualizada para su país por favor visite [www.lg.com/global/recycling](http://www.lg.com/global/recycling)

**SVENSKA****Kassera den gamla apparaten**

- 1 Den överkorsade soptunnesymbolen indikerar att elektroniskt och elektriskt avfall (WEEE) ska kasseras separat från hushållsavfallet och lämnas in till av kommunen anvisat ställe för återvinning.
- 2 Gamla elektroniska och elektriska produkter kan innehålla farliga substanser så korrekt avfallshandling av produkten förhindrar negativa konsekvenser för miljön och den mänskliga hälsan. Din gamla apparat kan innehålla återanvändningsbara delar som används för att reparera andra produkter och andra värdefulla material som kan återvinnas för att spara begränsade resurser.
- 3 Du kan ta din gamla apparat till butiken där du köpte produkten, eller kontakta din kommun för information om närmaste WEEE-uppsamlingsställe. För den mest uppdaterade informationen i ditt land, gå till [www.lg.com/global/recycling](http://www.lg.com/global/recycling)



**РУССКИЙ****Утилизация старого оборудования**

- 1 Этот перечеркнутый символ мусорной корзины указывает на то, что отработанные электрические и электронные изделия (WEEE) следует утилизировать отдельно от бытовых отходов.
- 2 Старые электрические изделия могут содержать опасные вещества, поэтому правильная утилизация старого оборудования поможет предотвратить возможные негативные последствия для окружающей среды и здоровья человека. Старое оборудование может содержать детали, которые могут быть повторно использованы для ремонта других изделий, а также другие ценные материалы, которые можно переработать, чтобы сохранить ограниченные ресурсы.
- 3 Вы можете отнести свой прибор в магазин, где он был приобретен, либо связаться с органами местного самоуправления для получения подробных сведений о ближайшем пункте приема отходов электрического и электронного оборудования (WEEE). Для получения самой свежей информации относительно вашей страны обращайтесь по адресу: [www.lg.com/global/recycling](http://www.lg.com/global/recycling)

**TÜRKÇE****WEEE/RoHS****Eski cihazınızın atılması**

- 1 Tüm elektrikli ve elektronik atıklar, devlet ya da yerel yetkililer tarafından belirlenen toplama merkezlerinde ayrı olarak imha edilmelidir. Atık elektrikli ve elektronik aletler belediyeler tarafından kurulan toplama noktalarına teslim edilmeli veya aldığınız yeni ürünü satıcınız adresinize teslim ederken, satıcınızdan atık elektrikli ve elektronik aletinizi teslim almasını istemelisiniz.
- 2 Atık ürünün doğru imhası çevre ve insan sağlığı üzerindeki potansiyel olumsuz sonuçların engellenmesine yardımcı olacaktır.
- 3 Eski ürününüzün imhası hakkında daha fazla bilgi için lütfen belediyeniz ya da ürünü aldığını mağaza ile iletişime geçiniz.
- 4 AEEE Yönetmeliğine Uygundur.
- 5 Bu işareti içeren ürünler tehlikeli madde içerebilir. Ürünler içerisindeki tehlikeli maddeler çevre kirlenmesine veya yaralanma/ölüme sebebiyet verebilir.  
([www.lg.com/global/recycling](http://www.lg.com/global/recycling))

## INDIA ONLY

### Disposal of your old appliance (as per e-waste Rules)



1. When this crossed out wheeled bin symbol is depicted on the product and its operator's manual, it means the product is covered by the e-waste Management and Handling Rules, 2011 and are meant to be recycled, dismantled, refurbished or disposed off.

2.

#### Do's

- a. The product is required to be handed over only to the authorized recycler for disposal.
- b. Keep the product in isolated area, after it becomes non-functional/unrepairable so as to prevent its accidental breakage.

#### Don't

- a. The product should not be opened by the user himself/herself, but only by authorized service personnel.
  - b. The product is not meant for re-sale to any unauthorized agencies/scrap dealer/kabariwalah.
  - c. The product is not meant for mixing into household waste stream.
  - d. Do not keep any replaced spare part(s) from the product in exposed area.
3. Any disposal through unauthorized agencies/person will attract action under Environment (Protection) Act 1986.
4. "This product is complied with the requirement of Hazardous Substances as specified under Rule 13 (1) & (2) of the E-Waste (Management & Handling) Rules, 2011".
5. To locate a nearest collection centre or call for pick-up (limited area only) for disposal of this appliance, please contact Toll Free No. **1800-315-9999 / 1800-180-9999** for details. All collection centre and pick up facilities are done by third parties with **LG Electronics India Pvt. Ltd.** Merely as a facilitator.  
For more detailed information , please visit : <http://www.lge.com/in>.

## अपने पुराने निपटान के उपकरण ( ई-अपशिष्ट नियम के अनुसार )



- जब इस काटे गए पहिये वाले बिन का चिन्ह किसी उपकरण और इसके ओपरेटर की पुस्तिका के साथ संलग्न होता है तो इसका मतलब है कि इसे "ई- अपशिष्ट" (प्रबंधन और हथालन ) नियम २०११ के अंतर्गत सम्मिलित किया गया है , और इसे नवीनीकरणकरण ,विघटन और निपटान के लिए बनाया गया है ।
- करें :**
  - उपकरण को सिर्फ अधिकृत पुनः नवीनीकरणकर्ता को ही निपटारण करने हेतु हस्तांतरित करें ।
  - जब उपकरण कार्यरत न हो इसे अलग क्षेत्र में रखें ताकि उपकरण से होने वाली दुर्घटनाओं से बचा जा सके ।
- न करें :**
  - इस उपकरण को स्वयं/खुद नहीं खोलना चाहिए ! उपकरण को केवल अधिकृत अधिकारी के द्वारा ही खोला जाना चाहिए ।
  - इस उपकरण को पुनः बिक्री के लिए किसी भी कबाड़ीवाला / भंगार-वाला / अनाधिकृत संस्था को न दें ।
  - इस उपकरण को किसी घरेलू अपशिष्ट सामान के साथ मिलाकर न रखें ।
  - उपकरण के बदले हुए या आंतरिक पुरजो को खुले क्षेत्र में न रखें ।
- यदि किसी अनाधिकृत विभाग या व्यक्ति के द्वारा निपटारण किया जाता है तो यह पर्यावरण (सुरक्षा) धारा १९८६ के अंतर्गत आता है ।
- यह उत्पाद ई-अपशिष्ट (प्रबंधन और हथालन) नियम 2011 के अन्तर्गत 13(1) एवं (2) के तहत निर्दिष्ट खतरनाक पदार्थों की आवश्यकता का पालन करता है
- उपरोक्त पदार्थों के निपटारण के लिए नजदीकी निपटारण संस्थान (संकीर्ण क्षेत्र )में कॉल करें। अधिक जानकारी के लिए हमारे टोल फ्री नंबर **1800-315-9999 / 1800-180-9999** पर कॉल करें, सभी संग्रहण केंद्र व पिक-अप की सुविधाएं किसी थर्ड- पार्टी जो **LG Electronics India Pvt. Ltd.** को अपनी सेवाएं प्रदान कर रही हों, से करवाएं । ज्यादा जानकारी के लिए देखें वेब:साईट : <http://www.lge.com/in>

## JORDAN ONLY WEEE



### Disposal of your appliance

The symbol indicating separate collection for electrical and electronic equipment consists of the crossed-out wheeled bin.

## الأردن فقط

### WEEE

التخلص من الجهاز الخاص بك.

الرمز الذي يشير إلى مجموعة منفصلة من المعدات الإلكترونية والكهربائية هو عبارة عن صندوق قمامة بعجلات ومشطوب.



## BATTERY



### ENGLISH

#### Disposal of waste batteries/accumulators

This symbol may be combined with chemical symbols for mercury (Hg), cadmium (Cd) or lead (Pb) if the battery contains more than 0.0005% of mercury, 0.002% of cadmium or 0.004% of lead. All batteries/accumulators should be disposed separately from the municipal waste stream via designated collection facilities appointed by the government or the local authorities.

The correct disposal of Your old batteries/accumulators will help to prevent potential negative consequences for the environment, animal and human health.

For more detailed information about disposal of Your old batteries/accumulators, please contact Your city office, waste disposal service or the shop where You purchased the product. (<http://www.lg.com/global/sustainability/environment/take-back-recycling/global-network-europe>)

### DEUTSCH

#### Entsorgung alter Batterien/Akkus

Dieses Symbol kann mit chemischen Symbolen für Quecksilber (HG), Kadmium (Cd) oder Blei kombiniert sein, wenn die Batterie mehr als 0,0005 % Quecksilber, 0,002 % Kadmium oder 0,004 % Blei enthält. Alle Batterien/Akkus sollten getrennt vom Hausmüll über die ausgewiesenen Sammelstellen entsorgt werden, die von staatlichen oder regionalen Behörden dazu bestimmt wurden.

Die ordnungsgemäße Entsorgung Ihrer alten Batterien/Akkus hilft bei der Vermeidung möglicher negativer Folgen für Mensch, Tier und Umwelt.

Beim Wunsch nach ausführlicheren Informationen über die Entsorgung Ihrer alten Batterien/Akkus wenden Sie sich bitte an Ihre Stadt- / oder Gemeindeverwaltung, die für Sie zuständige Abfallbehörde oder das Geschäft, in dem Sie das Produkt gekauft haben. (<http://www.lg.com/global/sustainability/environment/take-back-recycling/global-network-europe>)

### FRANÇAIS

#### Mis au rebut des piles ou batteries usagées

Ce symbole peut être associé au symbole chimique du mercure (Hg), du cadmium (Cd) ou du plomb (Pb) si la batterie contient plus de 0,0005% de mercure, 0,002% de cadmium ou 0,004% de plomb. Toutes les piles et batteries doivent être collectées séparément et emportées par les services de voirie municipaux vers des installations spécifiques de collecte des déchets, identifiées en conséquence par le gouvernement ou par les autorités locales.

Le traitement correct de vos piles ou batteries usagées contribue à protéger l'environnement et la santé des personnes et des animaux. Pour plus d'informations sur le traitement de vos piles ou batteries usagées, merci de bien vouloir vous adresser à votre mairie, au service de la voirie ou au magasin où vous avez acheté le produit. (<http://www.lg.com/global/sustainability/environment/take-back-recycling/global-network-europe>)

### ITALIANO

#### Smaltimento di batterie/accumulatori esausti

Questo simbolo può essere combinato con i simboli di mercurio (Hg), cadmio (Cd) o piombo (Pb) se la batteria contiene più di 0,0005% di mercurio, 0,002% di cadmio, 0,004% di piombo.

Tutte le batterie/accumulatori devono essere smaltiti separatamente dai rifiuti domestici e nei punti di raccolta designati dal governo o dalle autorità locali.

Il corretto smaltimento delle vecchie batterie/accumulatori consente di evitare conseguenze potenziali negative per l'ambiente e la salute umana.

Per informazioni più dettagliate relative allo smaltimento di vecchie batterie/accumulatori rivolgersi alla propria azienda di servizi ambientali o al servizio di smaltimento del negozio in cui avete acquistato il prodotto. (<http://www.lg.com/global/sustainability/environment/take-back-recycling/global-network-europe>)

### ESPAÑOL

#### Eliminación de baterías o acumuladores agotados

Este símbolo puede aparecer junto con símbolos químicos de mercurio (Hg), cadmio (Cd) o plomo (Pb) si la batería contiene más de un 0,0005% de mercurio, un 0,002% de cadmio o un 0,004% de plomo.

Las baterías o acumuladores no deberán tirarse junto con la basura convencional, sino a través de los puntos de recogida designados por el gobierno o las autoridades locales.

La correcta recogida y tratamiento de las baterías o acumuladores antiguos contribuye a evitar las potenciales consecuencias negativas para el medio ambiente, los animales y la salud pública.

Para más información sobre la eliminación de baterías o acumuladores antiguos, póngase en contacto con su ayuntamiento, el servicio de recogida de basuras o el comercio en el que adquirió el producto. (<http://www.lg.com/global/sustainability/environment/take-back-recycling/global-network-europe>)

**PORTUGUÊS****Eliminação do baterias/acumuladores**

Este símbolo pode ser combinado com símbolos químicos para mercúrio (Hg), cádmio (Cd) ou chumbo (Pb) se a bateria contiver mais de 0,0005% de mercúrio, 0,002% de cádmio ou 0,004% de chumbo. Todos as baterias/acumuladores devem ser eliminados em separado do lixo municipal através dos serviços de recolha designados pelas autoridades locais ou nacionais.

A eliminação correcta das baterias/acumuladores usadas ajuda a prevenir consequências negativas potenciais para o ambiente e para a saúde humana e animal.

Para informações mais detalhadas sobre a eliminação das suas baterias/acumuladores, contacte por favor os serviços de reciclagem locais, ou o local onde adquiriu o produto. (<http://www.lg.com/global/sustainability/environment/take-back-recycling/global-network-europe>)

**NEDERLANDS****Afdanken lege batterijen/ accu's**

Dit symbool kan samen met de chemische symbolen voor kwik (Hg), cadmium (Cd) en lood (Pb) worden gebruikt als de batterij of de accu meer dan 0,0005% kwik, 0,002% cadmium of 0,004% lood bevat. Batterijen en accu's moeten altijd gescheiden van het normale huisvuil worden afgevoerd via door de overheid aangewezen inzamelpunten.

Door lege batterijen en accu's op de juiste manier af te voeren, helpt u mogelijke negatieve gevolgen voor het milieu en de gezondheid van mens en dier te voorkomen.

Bel voor meer informatie over het afvoeren van lege batterijen en accu's de afdeling Milieudienst van het gemeentehuis van uw woonplaats, het dichtstbijzijnde erkende inleveradres of de winkel waar u het product hebt gekocht. (<http://www.lg.com/global/sustainability/environment/take-back-recycling/global-network-europe>)

**ΕΛΛΗΝΙΚΑ****Απόρριψη παλαιών μπαταριών/συσσωρευτών**

Αυτό το σύμβολο ενδέχεται να συνδυάζεται με χημικά σύμβολα για υδράργυρο (Hg), κάδμιο (Cd) ή μόλυβδο (Pb) εάν η μπαταρία περιέχει περισσότερο από 0,0005% υδράργυρο, 0,002% κάδμιο ή 0,001% μόλυβδο.

Όλες οι μπαταρίες /συσσωρευτές θα πρέπει να απορρίπτονται χωριστά από τα οικιακά απορρίμματα στις προβλεπόμενες εγκαταστάσεις συλλογής που έχει δημιουργήσει το κράτος ή οι τοπικές αρχές.

Η σωστή απόρριψη των παλαιών μπαταριών / συσσωρευτών συμβάλλει στην πρόληψη αρνητικών επιπτώσεων για το περιβάλλον, τα ζώα και την υγεία ανθρώπων.

Για αναλυτικότερες πληροφορίες σχετικά με την απόρριψη των παλιών μπαταριών / συσσωρευτών, επικοινωνήστε με το δημαρχείο σας, την υπηρεσία αποκομιδής απορριμμάτων ή το κατάστημα όπου αγοράσατε το προϊόν. (<http://www.lg.com/global/sustainability/environment/take-back-recycling/global-network-europe>)

**MAGYAR****Használt elemek/akkumulátorok hulladékkezelése**

Ezt a szimbólumot a higany (Hg), a kadmium (Cd), illetve az ólom (Pb) vegyjelével is lehet kombinálni, ha az adott elem 0,0005%-nál több higanyt, 0,002%-nál több kadmiumot, illetve 0,004%-nál több ólmot tartalmaz.

Minden elemet/akkumulátort a háztartási hulladéktól elkülönítve kell kezelni, a kormány, illetve állatok és emberek egészségére gyűjtőlétesítményeken.

A régi elemek/akkumulátorok megfelelő hulladékkezelése segít megelőzni a környezetre, illetve állatok és emberek egészségére gyakorolt lehetséges negatív következményeket.

A régi elemek/akkumulátorok hulladékkezelésével kapcsolatos részletes tájékoztatásért forduljon az önkormányzat irodájához, a hulladékkezelő szolgáltatóhoz, illetve ahhoz az üzlethez, ahol a terméket vásárolta. (<http://www.lg.com/global/sustainability/environment/take-back-recycling/global-network-europe>)

**POLSKI****Utylizacja zużytych baterii/akumulatorów**

Symbol ten może znajdować się w obecności chemicznych oznaczeń rtęci (Hg), kadmu (Cd) lub ołowiu (Pb), jeżeli bateria zawiera ponad 0,0005% rtęci, 0,002% kadmu lub 0,004% ołowiu.

Wszystkie baterie/akumulatory powinny być utylizowane w oddzieleniu od innych odpadów komunalnych przez jednostki wyznaczone do tego celu przez władze rządowe lub lokalne. Poprawna utylizacja zużytych baterii/akumulatorów pomoże zapobiec możliwym negatywnym wpływom na środowisko, zwierzęta i ludzkie zdrowie.

W celu uzyskania więcej informacji na temat utylizacji zużytych baterii/akumulatorów należy skontaktować się z lokalnym urzędem miasta, zakładem usług komunalnych lub sklepem, w którym produkt został zakupiony. (<http://www.lg.com/global/sustainability/environment/take-back-recycling/global-network-europe>)

**ČESKY****Likvidace nepoužitelných baterií/akumulátorů**

Tento symbol může být kombinován s chemickou značkou rtuti (Hg), kadmia (Cd) nebo olova (Pb), pokud baterie obsahuje více než 0,0005 % rtuti, 0,002 % kadmia nebo 0,004 % olova.

Všechny baterie/akumulátory je nutno likvidovat odděleně od běžného domovního odpadu, využijte k tomu určená sběrná místa dle pokynů národních nebo místních úřadů.

Správná likvidace starých baterií/akumulátorů pomůže zabránit možným negativním dopadům na životní prostředí a zdraví lidí a zvířat.

Podrobnější informace o likvidaci starých baterií/akumulátorů vám sdělí váš místní úřad, zpracovatel odpadu nebo obchod, kde jste produkt zakoupili. (<http://www.lg.com/global/sustainability/environment/take-back-recycling/global-network-europe>)

**SLOVENČINA****Likvidácia odpadových batérii/akumulátorov**

Tento symbol môže byť kombinovaný s chemickými symbolmi pre ortuť (Hg), kadmium (Cd) alebo olovo (Pb) v prípade, ak batéria obsahuje viac ako 0,0005 % ortuti, 0,002 % kadmia alebo 0,004 % olova.

Všetky batérie/akumulátory by sa mali likvidovať oddelene od komunálneho odpadu prostredníctvom určených zberných zariadení ustanovených štátnymi alebo miestnymi úradmi.

Správna likvidácia vašich starých batérii/akumulátorov pomôže zabrániť negatívnym následkom na životné prostredie, zdravotný stav ľudí a zvierat.

Viac informácií o likvidácii vašich starých batérii/akumulátorov vám poskytne váš mestský úrad, firma na likvidáciu odpadu alebo obchod, kde ste si výrobok kúpili. (<http://www.lg.com/global/sustainability/environment/take-back-recycling/global-network-europe>)

**ROMÂNĂ****Eliminarea deșeurilor de baterii/acumulatori**

Acest simbol poate fi asociat cu simboluri de elemente chimice pentru mercur (Hg), cadmiu (Cd) sau plumb (Pb) dacă bateria conține o cantitate mai mare de 0,0005% de mercur, 0,002% de cadmiu sau 0,004% de plumb.

Toate bateriile/acumulatorii trebuie eliminate separat de deșeurile menajere municipale prin unități de colectare dedicate, desemnate de guvern sau de autoritățile locale.

Eliminarea corectă a vechilor dvs. baterii/acumulatori va ajuta la prevenirea potențialelor consecințe negative asupra mediului înconjurător și sănătății oamenilor.

Pentru informații mai detaliate despre eliminarea vechilor dvs. baterii/acumulatori, contactați biroul local, serviciul de eliminare a deșeurilor sau magazinul de la care ați achiziționat produsul. (<http://www.lg.com/global/sustainability/environment/take-back-recycling/global-network-europe>)

**БЪЛГАРСКИ****Изхвърляне на батерии/акумулатори след изтичане на срока им на годност**

Ако батерията съдържа над 0,0005% живак, 0,002% кадмий или 0,004% олово, този символ може да е придружен от химически знак, обозначаващи живак (Hg), кадмий (Cd) или олово (Pb).

Всички батерии/акумулатори трябва да бъдат изхвърляни отделно от битовите отпадъци чрез определени за това от правителството и местните власти съоръжения.

Правилното изхвърляне на непотребните батерии/акумулатори ще помогне за предотвратяване на възможни негативни последици за околната среда, животните и човешкото здраве.

За по-подробна информация за изхвърлянето на непотребни батерии/акумулатори се обърнете към местната община, услугите по изхвърляне на отпадъци или магазина, откъдето сте закупили продукта. (<http://www.lg.com/global/sustainability/environment/take-back-recycling/global-network-europe>)

**SVENSKA****Avfallshantering batterier/ackumulatorer**

Denna symbol kan vara kombinerad med kemiska symboler för kvicksilver (Hg), kadmium (Cd) eller bly (Pb) om batteriet innehåller mer än, 0,0005% kvicksilver, 0,002% kadmium eller 0,004% bly. Alla batterier/ackumulatorer skall hanteras åtskilda från vanligt tushållsavfall och föras till särskilt för ändamålet avsedda uppsamlingsplatser utsedda av myndigheterna.

Rätt avfallshantering av dina gamla batterier/ackumulatorer medverkar till att förhindra negativa konsekvenser för miljön, för djurs och människors hälsa.

För ytterligare, detaljerad information om hanteringen av dina gamla batterier/ackumulatorer ber vi dig ta kontakt med berörd myndighet på din plats eller med den affär där du köpt din apparat. (<http://www.lg.com/global/sustainability/environment/take-back-recycling/global-network-europe>)

**NORSK****Kaste brukte batterier/akkumulatorer**

Dette symbolet kan være kombinert med de kjemiske tegnene for kvikksølv (Hg), kadmium (Cd) eller bly (Pb) hvis batteriene inneholder mer enn 0,0005% kvikksølv, 0,002% kadmium eller 0,004% bly.

Alle batterier/akkumulatorer skal kastes atskilt fra restavfall og leveres ved offentlige spesialavfallsstasjoner.

Riktig håndtering av brukte batterier/akkumulatorer som avfall bidrar til å forhindre skader på miljøet og dyrs og menneskers helse.

Hvis du vil ha mer informasjon om hvordan du bør håndtere brukte batterier/akkumulatorer som avfall, kan du ta kontakt med lokale myndigheter, renovasjonstjenesten på stedet eller butikken der du kjøpte produktet. (<http://www.lg.com/global/sustainability/environment/take-back-recycling/global-network-europe>)

**DANSK****Bortskaffelse af batterier/akkumulatorer**

Symbolet kan være kombineret med de kemiske symboler for kviksølv (Hg), kadmium (Cd) eller bly (Pb), hvis batteriet indeholder mere end 0,0005% kviksølv, 0,002% kadmium eller 0,004% bly.

Alle batterier/akkumulatorer bør bortskaffes på separat vis, og ikke som husholdningsaffald, men via specielle opsamlingssteder, der er udpeget af de offentlige eller lokale myndigheder.

Når du bortskaffer dine gamle batterier/akkumulatorer på korrekt vis, hjælper du med til at forhindre mulige negative konsekvenser på miljøet samt på dyrs og menneskers sundhed.

Ønsker du yderligere oplysninger om bortskaffelse af dine gamle batterier/akkumulatorer, skal du kontakte de offentlige myndigheder, genbrugspladsen eller butikken, hvor du købte produktet. (<http://www.lg.com/global/sustainability/environment/take-back-recycling/global-network-europe>)

**SUOMI****Käytettyjen paristojen/akkujen hävitys**

Mikäli paristo tai akku sisältää yli 0,0005% elohopeaa, 0,002% kadmiumia tai yli 0,004% lyijyä, voi tämä symboli sisältää näiden kemiallisten aineiden lyhenteet kuten elohopea (Hg), kadmium (Cd) tai lyijy (Pb).

Kaikki paristot/akut tulisi hävittää erikseen kotitalousjätteestä, ja ne tulisi toimittaa hävitettäväksi valtion tai paikallisten viranomaisten osoittamaan keräyspisteeseen.

Käytettyjen paristojen/akkujen oikea hävitystapa auttaa estämään mahdollisia negatiivisia vaikutuksia ympäristölle, eläin- ja ihmisterveydelle.

Käytettyjen paristojen/akkujen hävityksestä saat lisätietoja ottamalla yhteyttä paikallisiin viranomaisiin, jätteenkäsittely-yhtiöön tai tuotteen hankintapaikkaan. (<http://www.lg.com/global/sustainability/environment/take-back-recycling/global-network-europe>)

**EESTI****Kasutatud patareide/akude käitlemine**

Seda sümbolit võbeda (Hg), kaadmiumi (Cd) või plii (Pb) keemiline tähis, kui patarei/aku sisaldab üle 0,0005% elavhõbedat, üle 0,002% kaadmiumi või üle 0,004% pliid.

Kõigi patareide/akude käitlemine peab toimuma olmeprügiveost eraldi, riiklikult või kohaliku omavalitsuse poolt määratud spetsiaalsete kogumispunktide kaudu.

Teie vanade patareide/akude nõuetekohane käitlemine aitab ära hoida võimalikke negatiivseid tagajärgi keskkonnale ja inimeste tervisele.

Täpsema teabe saamiseks oma vanade patareide/akude käitlemise kohta pöörduge palun kohaliku omavalitsuse/jäätmekäitlusettevõtte poole või kauplusesse, kust te antud toote ostsite. (<http://www.lg.com/global/sustainability/environment/take-back-recycling/global-network-europe>)

**LIETUVIŲ K.****Panaudotų maitinimo elementų/akumuliatorių išmetimas**

Jeigu maitinimo elemente yra daugiau nei 0,0005 % gyvsidabrio, kadmio (Cd) arba 0,004 % švino, šis ženklas gali būti naudojamas kartu su cheminiais gyvsidabrio (Hg), 0,002% kadmio arba švino (Pb) ženklais.

Visi maitinimo elementai/akumuliatoriaus turi būti išmetami atskirai, ne su buitiniems atliekomis; juos reikia atiduoti į tam skirtus surinkimo punktus, kuriuos įrengia vyriausybė arba vietos valdžios institucijos.

Tinkamai išmetę senus maitinimo elementus/akumuliatorius, padėsite apsaugoti aplinką, gyvūnų ir žmonių sveikatą nuo galimų neigiamų padarinių.

Išsamesnės informacijos apie senų maitinimo elementų/akumuliatorių išmetimą teiraukitės savo miesto savivaldybės administracijoje, atliekų tvarkymo tarnyboje arba parduotuviėje, kurioje įsigijote šį gaminį. (<http://www.lg.com/global/sustainability/environment/take-back-recycling/global-network-europe>)

**LATVIEŠU****Izlietoto bateriju/akumulatoru likvidēšana**

Šo simbolu var papildināt dzīvsudraba (Hg), kadmija (Cd) vai svina (Pb) ķīmisko elementu simboli, ja akumulators satur vairāk kā 0,0005% dzīvsudraba, 0,002% kadmija vai 0,004% svina.

Visas baterijas/akumulatori ir jālikvidē valsts vai pašvaldības nozīmētās speciālās atkritumu savākšanas vietās, atsevišķi no mājsaimniecības atkritumiem.

Pareizi atbrīvojoties no vecajām baterijām/akumulatoriem, tiks novērsta iespējami nelabvēlīgās sekas uz apkārtejo vidi un cilvēku veselību.

Lai saņemtu sīkāku informāciju par atbrīvošanas no vecajām baterijām/akumulatoriem, lūdzu, sazinieties ar savas pašvaldības biroju, atkritumu iznīcināšanas dienestu vai veikalu, kur nopirkāt šo izstrādājumu. (<http://www.lg.com/global/sustainability/environment/take-back-recycling/global-network-europe>)

**SLOVENŠČINA****Odlaganje odpadnih baterij/akumulatorjev**

Simbolu so lahko dodane tudi kemične oznake za živo srebro (Hg), kadmij (Cd) ali svinec (Pb), če baterija vsebuje več kot 0,0005 % živega srebra, 0,002 % kadmija ali 0,004 % svina.

Vse baterije/akumulatorje odstranjujte ločeno od običajnih komunalnih odpadkov na namenskih zbirnih mestih, ki jih določijo vlada ali krajevne oblasti.

S pravilnim odlaganjem starih baterij/akumulatorjev pomagate preprečevati negativne posledice za okolje ter zdravje ljudi in živali. Podrobnejše informacije o odstranjevanju starih baterij/akumulatorjev poiščite pri mestnem uradu, komunalni službi ali prodajalni, kjer ste izdelke kupili. (<http://www.lg.com/global/sustainability/environment/take-back-recycling/global-network-europe>)

**SRPSKI****Odlaganje baterija/akumulatora**

Simbol može biti kombinovan sa hemijskim simbolima za živu (Hg), kadmijum (Cd) ili olovo (Pb) ako baterija sadrži više od 0,0005% žive, 0,002% kadmijuma ili 0,004% olova.

Sve baterije/akumulatore treba odložiti odvojeno od opšteg gradskog otpada, i to preko namenskih tačaka za prikupljanje, ustanovljenih od strane vlade ili lokalne uprave.

Ispravnim odlaganjem starih baterija/akumulatora sprečavate potencijalne negativne efekte na okolinu, zdravlje životinja i ljudi.

Dodatne informacije o odlaganju starih baterija/akumulatora zatražite od gradske uprave, komunalnog preduzeća ili prodavnice u kojoj ste kupili proizvod. (<http://www.lg.com/global/sustainability/environment/take-back-recycling/global-network-europe>)

**HRVATSKI****Odlaganje baterija/akumulatora na otpad**

Taj simbol može se pojaviti u kombinaciji s kemijskim simbolom za živu (Hg), kadmij (Cd) ili olovo (Pb) ako baterija sadrži više od 0,0005% žive, 0,002% kadmija ili 0,004% olova.

Sve baterije/akumulatore treba odvojiti od kućanskog otpada i odložiti ih na mjesto koje je za otpad odredila vlada ili lokalna uprava. Ispravnim odlaganjem starih baterija/akumulatora sprječavate negativan utjecaj na okoliš, zdravlje životinja i ljudi.

Dodatne informacije o odlaganju starih baterija/akumulatora zatražite od gradske uprave, komunalne službe ili trgovine u kojoj ste kupili proizvod. (<http://www.lg.com/global/sustainability/environment/take-back-recycling/global-network-europe>)

**TÜRKÇE****Kullanılmış pil ve akümülatörlerin elden çıkarılması**

Bu sembol pillerin %0,0005 oranında cıva, %0,002 oranında kadmium veya %0,004 oranında kurşun içermesi durumunda cıva (Hg), kadmium (Cd) veya kurşun (Pb) kimyasal sembolleri ile bir arada bulunabilir. Tüm piller ve akümülatörler, normal atıl çöplerden ayrı olarak, hükümet veya yerel idareler tarafından belirlenmiş olan toplama merkezlerinde atılmalıdır.

Bu tip kullanılmış pil/akümülatörlerin doğru olarak atılması hem çevreye hem de hayvan ve insan sağlığına verilebilecek potansiyel olumsuz sonuçları önleyecektir. Kullanılmış pillerinizin/akümülatörlerinizin atılması ile ilgili olarak, bulunduğunuz yerdeki belediye, çöp atım hizmeti veren kuruluşlara veya ürünü satın aldığınız yerlere başvurabilirsiniz. (<http://www.lg.com/global/sustainability/environment/take-back-recycling/global-network-europe>)

**РУССКИЙ****Утилизация старых батарей и аккумуляторов**

Данный символ может быть совмещен со значком химического элемента: ртути(Hg), кадмия(Cd) или свинца(Pb), если батарея содержит более 0,0005% ртути, 0,002% кадмия или 0,004% свинца.

Все аккумуляторы и батареи следует утилизировать отдельно от бытового мусора, в специальных местах сбора, назначенных правительственными или местными органами власти. Правильная утилизация старых батарей и аккумуляторов поможет предотвратить потенциально вредное воздействие на окружающую среду и здоровье человека.

Для получения более подробных сведений об утилизации батарей и аккумуляторов обратитесь в администрацию города, службу, занимающуюся утилизацией или в магазин, где был приобретен продукт. (<http://www.lg.com/global/sustainability/environment/take-back-recycling/global-network-europe>)

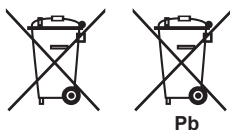


**МАКЕДОНСКИ****Отстранување на старите батерии/  
акумулатори**

Овој симбол може да биде комбиниран со хемиските симболи за жива(Hg), кадмиум(Cd) или олово(Pb) ако батеријата содржи повеќе од 0,0005% жива, 0,002% кадмиум или 0,004% олово. Сите батерии/акумулатори треба да бидат отстранети одделно од другиот отпад, на посебни места назначени од страна на владата или локалните власти.

Правилното отстранување на вашите стари батерии/акумулатори ќе ги спречи потенцијалните негативни последици за околината, животните и здравјето на луѓето.

За повеќе информации околу отстранувањето на вашите стари батерии/акумулатори, ве молиме обратете се до локалните власти, службата за отстранување отпад или продавницата од која сте го купиле производот. (<http://www.lg.com/global/sustainability/environment/take-back-recycling/global-network-europe>)

**BRAZIL ONLY****Pilhas e Baterias**

- 1 Não é recomendável o descarte de pilhas, baterias em lixo comum. Após o uso, estes itens devem ser descartados de forma adequada, sob pena de ocasionarem danos ao meio ambiente e à saúde humana.
- 2 A LG criou o Programa Coleta Inteligente, para facilitar e viabilizar o descarte adequado de aparelhos celulares, pilhas e baterias.
- 3 Através do Programa Coleta Inteligente, a LG disponibiliza pontos de coleta em localidades diversas, incluindo assistências técnicas autorizadas da LG Electronics. Para mais informações visite o site [www.lge.com/br/coleta-seletiva](http://www.lge.com/br/coleta-seletiva) ou contate nosso SAC através do número 4004-5400 (Capitais e Regiões metropolitanas) ou 0800-707-5454 (demais localidades).

## Conformity Notice



### English

[For Equipment Under Radio Equipment Directive]

Hereby, LG Electronics declares that the radio equipment type monitor signage is in compliance with Directive 2014/53/EU. The full text of the EU declaration of conformity is available at the following internet address:

<http://www.lg.com/global/support/cedoc/cedoc#>

LG Electronics European Shared Service Center B.V.  
Krijgsman 1  
1186 DM Amstelveen  
The Netherlands

The use of the 5150 – 5350 MHz band is restricted to indoor use only.  
(For Wi-Fi/Bluetooth built-in model or Wi-Fi built-in model)

### Deutsch

[Für Geräte, die der Richtlinie für Funktechnik entsprechen]

Hiermit erklärt LG Electronics, dass der Funkanlagentyp monitor signage der Richtlinie 2014/53/EU entspricht. Der vollständige Text der EU-Konformitätserklärung ist unter der folgenden Internetadresse verfügbar:

<http://www.lg.com/global/support/cedoc/cedoc#>

LG Electronics European Shared Service Center B.V.  
Krijgsman 1  
1186 DM Amstelveen  
The Netherlands

Die Nutzung des Frequenzbands 5150 – 5350 MHz ist auf den Innenbereich beschränkt. (Für Modelle mit eingebautem Wi-Fi/Bluetooth oder Modelle mit eingebautem Wi-Fi)

### Français

[Pour les équipements dépendant de la directive sur les équipements radio]

Le soussigné, LG Electronics, déclare que l'équipement radioélectrique du type moniteur de signalisation est conforme à la directive 2014/53/UE. Le texte complet de la déclaration UE de conformité est disponible à l'adresse internet suivante:

<http://www.lg.com/global/support/cedoc/cedoc#>

LG Electronics European Shared Service Center B.V.  
Krijgsman 1  
1186 DM Amstelveen  
The Netherlands

L'utilisation de la bande 5150 - 5350 MHz est limitée à une utilisation en intérieur uniquement. (Pour modèle avec Wi-Fi/Bluetooth intégrés ou modèle avec Wi-Fi intégré)

### Italiano

[Apparecchi conformi alla direttiva sulle apparecchiature radio]

Il fabbricante, LG Electronics, dichiara che il tipo di apparecchiatura radio monitor signage è conforme alla direttiva 2014/53/UE. Il testo completo della dichiarazione di conformità UE è disponibile al seguente indirizzo Internet:

<http://www.lg.com/global/support/cedoc/cedoc#>

LG Electronics European Shared Service Center B.V.  
Krijgsman 1  
1186 DM Amstelveen  
The Netherlands

La banda 5150 - 5350 MHz è limitata esclusivamente all'utilizzo domestico. (Per il modello con Wi-Fi/Bluetooth integrato o per il modello con Wi-Fi integrato)

**Español**

[Para equipos bajo la Directiva de equipos de radio]

Por la presente, LG Electronics declara que el tipo de equipo radioeléctrico monitor signage es conforme con la Directiva 2014/53/UE. El texto completo de la declaración UE de conformidad está disponible en la dirección Internet siguiente:

<http://www.lg.com/global/support/cedoc/cedoc#>

LG Electronics European Shared Service Center B.V.  
Krijgsman 1  
1186 DM Amstelveen  
The Netherlands

El uso de la banda de 5150 - 5350 MHz está restringido únicamente a interiores. (Para el modelo con Wi-Fi/Bluetooth incorporado o el modelo con Wi-Fi incorporado)

**Português**

[Para equipamento ao abrigo da Diretiva para equipamento rádio]

O(a) abaixo assinado(a) LG Electronics declara que o presente tipo de equipamento de rádio monitor signage está em conformidade com a Diretiva 2014/53/UE. O texto integral da declaração de conformidade está disponível no seguinte endereço de Internet:

<http://www.lg.com/global/support/cedoc/cedoc#>

LG Electronics European Shared Service Center B.V.  
Krijgsman 1  
1186 DM Amstelveen  
The Netherlands

A utilização da banda de 5150 - 5350 MHz está restringida à utilização em interiores. (Para modelos com Wi-Fi/Bluetooth incorporados ou modelos com Wi-Fi incorporado)

**Nederlands**

[Voor apparatuur onder Richtlijn voor radioapparatuur]

Hierbij verklaar ik, LG Electronics, dat het type radioapparatuur monitor signage conform is met Richtlijn 2014/53/EU. De volledige tekst van de EU-conformiteitsverklaring kan worden geraadpleegd op het volgende internetadres:

<http://www.lg.com/global/support/cedoc/cedoc#>

LG Electronics European Shared Service Center B.V.  
Krijgsman 1  
1186 DM Amstelveen  
The Netherlands

De 5150 - 5350 MHz-band kan alleen binnenshuis worden gebruikt. (Voor modellen met ingebouwde Wi-Fi/Bluetooth, en modellen met ingebouwde Wi-Fi)

**Magyar**

[A rádióberendezésekről szóló irányelv alá tartozó berendezésekhez]

LG Electronics igazolja, hogy a signage monitor típusú rádióberendezés megfelel a 2014/53/EU irányelvnek. Az EU-megfelelőségi nyilatkozat teljes szövege elérhető a következő internetes címen:

<http://www.lg.com/global/support/cedoc/cedoc#>

LG Electronics European Shared Service Center B.V.  
Krijgsman 1  
1186 DM Amstelveen  
The Netherlands

Az 5150–5350 MHz-es sáv használata csak beltéren megengedett. (A beépített Wi-Fi/Bluetooth kapcsolattal, vagy a csak Wi-Fi kapcsolattal rendelkező modellekhez)

**Polski**

[Dotyczy urządzeń, do których zastosowanie ma dyrektywa w sprawie urządzeń radiowych]

LG Electronics niniejszym oświadcza, że typ urządzenia radiowego monitor informacyjny jest zgodny z dyrektywą 2014/53/UE. Pełny tekst deklaracji zgodności UE jest dostępny pod następującym adresem internetowym:

<http://www.lg.com/global/support/cedoc/cedoc#>

LG Electronics European Shared Service Center B.V.  
Krijgsman 1  
1186 DM Amstelveen  
The Netherlands

Pasma 5150–5350 MHz można używać wyłącznie w pomieszczeniach. (Modele z wbudowanym modułem sieci Wi-Fi/Bluetooth lub modele z wbudowanym modułem sieci Wi-Fi)

**Česky**

[Pro zařízení podléhající směrnici pro rádiová zařízení]

Tímto LG Electronics prohlašuje, že typ rádiového zařízení monitor pro reklamní panely je v souladu se směrnicí 2014/53/EU. Úplné znění EU prohlášení o shodě je k dispozici na této internetové adrese:

<http://www.lg.com/global/support/cedoc/cedoc#>

LG Electronics European Shared Service Center B.V.  
Krijgsman 1  
1186 DM Amstelveen  
The Netherlands

Použití pásma 5 150–5 350 MHz je omezeno pouze na interiér. (Pro model s integrovaným rozhraním Wi-Fi/Bluetooth nebo pro model s integrovaným rozhraním Wi-Fi)

**Slovenčina**

[Pre zariadenia podliehajúce smernici o rádiových zariadeniach]

LG Electronics týmto vyhlasuje, že rádiové zariadenie typu monitor signage je v súlade so smernicou 2014/53/EÚ. Úplné EÚ vyhlásenie o zhode je k dispozícii na tejto internetovej adrese:

<http://www.lg.com/global/support/cedoc/cedoc#>

LG Electronics European Shared Service Center B.V.  
Krijgsman 1  
1186 DM Amstelveen  
The Netherlands

Pásmo 5 150 – 5 350 MHz je povolené používať iba v interiéri. (Pre model so zabudovaným rozhraním Wi-Fi/Bluetooth alebo model so zabudovaným rozhraním Wi-Fi)

**Română**

[Pentru echipamentul aflat sub incidența Directivei referitoare la echipamentele radio]

Prin prezenta, LG Electronics declară că tipul de echipamente radio monitorul de semnalizare este în conformitate cu Directiva 2014/53/UE. Textul integral al declarației UE de conformitate este disponibil la următoarea adresă internet:

<http://www.lg.com/global/support/cedoc/cedoc#>

LG Electronics European Shared Service Center B.V.  
Krijgsman 1  
1186 DM Amstelveen  
The Netherlands

Banda de 5150 - 5350 MHz este restricționată doar la utilizarea în interior. (Pentru modelul integrat Wi-Fi/Bluetooth sau modelul integrat Wi-Fi)

**Svenska**

[För utrustning som omfattas av direktivet om radioutrustning]

Härmed försäkrar LG Electronics att denna typ av radioutrustning Signage Bildskärm överensstämmer med direktiv 2014/53/EU. Den fullständiga texten till EU-försäkran om överensstämmelse finns på följande webbadress:

<http://www.lg.com/global/support/cedoc/cedoc#>

LG Electronics European Shared Service Center B.V.  
Krijgsman 1  
1186 DM Amstelveen  
The Netherlands

5150–5350 MHz-bandet får bara användas inomhus. (För modeller med inbyggd Wi-Fi/Bluetooth eller endast Wi-Fi)

**Norsk**

[For utstyr under direktivet for radioutstyr]

LG Electronics erklærer herved at radioutstyret av typen digitalskiltmonitor er i samsvar med direktiv 2014/53/EU. Du finner hele EU-samsvarserklæringen på nettet her:

<http://www.lg.com/global/support/cedoc/cedoc#>

LG Electronics European Shared Service Center B.V.  
Krijgsman 1  
1186 DM Amstelveen  
The Netherlands

Båndet på 5150–5350 MHz kan bare brukes innendørs. (For modell med innebygd Wi-Fi/Bluetooth eller Wi-Fi)

**Dansk**

[For udstyr i radioudstyrsdirektivet]

Hermed erklærer LG Electronics, at radioudstyrtypen signage-skærm er i overensstemmelse med direktiv 2014/53/EU. EU-overensstemmelseerklæringens fulde tekst kan findes på følgende internetadresse:

<http://www.lg.com/global/support/cedoc/cedoc#>

LG Electronics European Shared Service Center B.V.  
Krijgsman 1  
1186 DM Amstelveen  
The Netherlands

Brugen af 5150-5350 MHz-båndet er kun forbeholdt indendørs brug. (Til indbygget Wi-Fi/Bluetooth-model eller indbygget Wi-Fi-model)

**Suomi**

[radiolaitteita koskevan direktiivin mukaiseen laitteeseen]

LG Electronics vakuuttaa, että radiolaitetyyppi näyttötäulu on direktiivin 2014/53/EU mukainen. EU-vaatimustenmukaisuusvakuutuksen täysimittainen teksti on saatavilla seuraavassa internetosoitteessa:

<http://www.lg.com/global/support/cedoc/cedoc#>

LG Electronics European Shared Service Center B.V.  
Krijgsman 1  
1186 DM Amstelveen  
The Netherlands

Taajuusalueen 5150 – 5350 MHz käyttö on sallittua vain sisätiloissa. (Malleille, joissa on sisäinen Wi-Fi/Bluetooth tai sisäinen Wi-Fi)

**Eesti**

[Raadioseadmete direktiivis käsitletud seadmete puhul]

Käesolevaga deklareerib LG Electronics, et käesolev raadioseadme tüüp graafikamonitori vastab direktiivi 2014/53/EU nõuetele. Eli vastavusdeklaratsiooni täielik tekst on kättesaadav järgmisel internetiaadressil:

<http://www.lg.com/global/support/cedoc/cedoc#>

LG Electronics European Shared Service Center B.V.  
Krijgsman 1  
1186 DM Amstelveen  
The Netherlands

Sagedusriba 5150–5350 MHz kasutamise on piiratud ainult siseruumides kasutamiseks. (Sisseehitatud Wi-Fi-/Bluetoothiga mudelil või sisseehitatud Wi-Fi-ga mudelil)

**Lietuvių K.**

[Skirta įrangai, remiantis Direktyva dėl radijo ryšio įrenginių]

Aš, „LG Electronics“, patvirtinu, kad radijo įrenginių tipas „Monitoriaus ženklinimas“ atitinka Direktyvą 2014/53/ES. Visas ES atitikties deklaracijos tekstas prieinamas šiuo interneto adresu:

<http://www.lg.com/global/support/cedoc/cedoc#>

LG Electronics European Shared Service Center B.V.  
Krijgsman 1  
1186 DM Amstelveen  
The Netherlands

5150–5350 MHz ryšys turi būti naudojamas tik patalpose. (Skirta modeliui su integruotu „Wi-Fi“ / „Bluetooth“ arba „Wi-Fi“)

**Latviešu**

[Iekārtām atbilstoši Radioiekārtu direktīvai]

Ar šo LG Electronics deklarē, ka radioiekārtā Signage monitora atbilst Direktīvai 2014/53/ES. Pilns ES atbilstības deklarācijas teksts ir pieejams šādā interneta vietnē:

<http://www.lg.com/global/support/cedoc/cedoc#>

LG Electronics European Shared Service Center B.V.  
Krijgsman 1  
1186 DM Amstelveen  
The Netherlands

5150 – 5350 MHz josla ir paredzēta tikai lietošanai iekšējās. (Modelim ar iebūvētu Wi-Fi/Bluetooth vai iebūvētu Wi-Fi)

**Slovenščina**

[Za opremo, za katero velja direktiva za radijsko opremo]

LG Electronics potrjuje, da je tip radijske opreme "monitor signage" skladen z Direktivo 2014/53/EU. Celotno besedilo izjave EU o skladnosti je na voljo na naslednjem spletnem naslovu:

<http://www.lg.com/global/support/cedoc/cedoc#>

LG Electronics European Shared Service Center B.V.  
Krijgsman 1  
1186 DM Amstelveen  
The Netherlands

Uporaba pasu od 5150 od 5350 MHz je omejena na uporabo v zaprtih prostorih. (Za modele z vgrajenima vmesnikoma za Wi-Fi in Bluetooth ter modele z vgrajenim vmesnikom za Wi-Fi.)

**Srpski**

[Za opremu na koju se odnosi Direktiva o opremi koja proizvodi radio talase]

Kompanija LG Electronics ovim izjavljuje da je oprema koja proizvodi radio talase za "monitor signage" za prikaz digitalnog uskladeni sa Direktivom 2014/53/EU. Celokupan tekst izjave o uskladenosti za EU dostupan je na sledećoj internet adresi:

<http://www.lg.com/global/support/cedoc/cedoc#>

LG Electronics European Shared Service Center B.V.  
Krijgsman 1  
1186 DM Amstelveen  
The Netherlands

Opseg frekvencije 5150–5350 MHz predviđen je samo za upotrebu u zatvorenim prostorima. (Za modele koji imaju ugrađen Wi-Fi/Bluetooth ili modele koji imaju ugrađen Wi-Fi)

**Hrvatski**

[За опрему на коју се односи Директива о радијској опреми]

LG Electronics овиме изјављује да је радијска опрема типа монитор за приказ дигиталног садржаја у складу с Директивом 2014/53/EU. Цјеловити текст ЕУ изјаве о сукладности доступан је на слjedeћој интернетској адреси:

<http://www.lg.com/global/support/cedoc/cedoc#>

LG Electronics European Shared Service Center B.V.  
Krijgsman 1  
1186 DM Amstelveen  
The Netherlands

Кориштење фреквенције 5150 – 5350 MHz ограничено је искључиво на затворени простор. (За моделе с уграђеном Wi-Fi/Bluetooth функцијом или за моделе с уграђеном Wi-Fi функцијом)

**Shqip**

[Për pajisjet në pajtueshmëri me Direktivën për radiopajisjet]

Me anë të këtyj dokumenti, "LG Electronics" deklaron se radiopajisja e tipit "Signage" është në pajtim me direktivën 2014/53/BE. Teksti i plotë i deklaratës pajtueshmërisë së BE-së jepet në adresën e mëposhtme të internetit:

<http://www.lg.com/global/support/cedoc/cedoc#>

LG Electronics European Shared Service Center B.V.  
Krijgsman 1  
1186 DM Amstelveen  
The Netherlands

Përdorimi i brezit 5150–5350 MHz lejohet vetëm në ambiente të mbyllura. (Për modelet me Wi-Fi/Bluetooth ose Wi-Fi të integruar)

**Македонски**

[За опрема која спаѓа под Директивата за радио опрема]

Со ова, LG Electronics изјавува дека типот на радио опрема „рекламно-информативен монитор“ е во согласност со Директивата 2014/53/EU. Целосниот текст на Декларацијата за усогласеност на ЕУ можете да ја најдете на следната интернет адреса:

<http://www.lg.com/global/support/cedoc/cedoc#>

LG Electronics European Shared Service Center B.V.  
Krijgsman 1  
1186 DM Amstelveen  
The Netherlands

Кориштењето на појасот 5150 – 5350 MHz е ограничено само за во затворени простории. (За моделот со вграден Wi-Fi/Bluetooth или моделот со вграден Wi-Fi)

**Ελληνικά**

[Για τον εξοπλισμό που περιγράφεται στην Οδηγία περί Ραδιοεξοπλισμού]

Με την παρούσα ο/η LG Electronics, δηλώνει ότι ο ραδιοεξοπλισμός "Ψηφιακή Σημανση Οθονής" πληροί την οδηγία 2014/53/ΕΕ. Το πλήρες κείμενο της δήλωσης συμμόρφωσης ΕΕ διατίθεται στην ακόλουθη ιστοσελίδα στο διαδίκτυο:

<http://www.lg.com/global/support/cedoc/cedoc#>

LG Electronics European Shared Service Center B.V.  
Krijgsman 1  
1186 DM Amstelveen  
The Netherlands

Η χρήση της ζώνης 5150 – 5350 MHz επιτρέπεται μόνο σε εσωτερικούς χώρους. (Για το μοντέλο με ενσωματωμένο Wi-Fi/Bluetooth ή για το μοντέλο με ενσωματωμένο Wi-Fi)

**Български**

[За оборудване, обхванато от Директивата за радиооборудване]

С настоящото LG Electronics декларира, че този тип радиосъоръжение „Монитор табло“ е в съответствие с Директива 2014/53/ЕС. Цялостният текст на ЕС декларацията за съответствие може да се намери на следния интернет адрес:

<http://www.lg.com/global/support/cedoc/cedoc#>

LG Electronics European Shared Service Center B.V.  
Krijgsman 1  
1186 DM Amstelveen  
The Netherlands

Честотната лента от 5150 – 5350 MHz е ограничена за използване само на закрито. (За модел с вграден Wi-Fi/Bluetooth или модел с вграден Wi-Fi)

**Қазақша**

[Радиобайланыс құрылғыларына қатысты директива талаптарына жүгінетін жабдық үшін] Осымен LG Electronics компаниясы Бейне Мониторы атты радио жабдық түрінің 2014/53/EU директивасына сәйкес келетіндігін жариялайды. ЕО сәйкестілік декларациясының толық мәтіні келесі веб-мекенжай бойынша қолжетімді:

<http://www.lg.com/global/support/cedoc/cedoc#>

LG Electronics European Shared Service Center B.V.  
Krijgsman 1  
1186 DM Amstelveen  
The Netherlands

5150 – 5350 МГц жиілігін тек бөлме ішінде пайдалануға рұқсат етіледі. (Wi-Fi/Bluetooth кірістірілген үлгісі немесе Wi-Fi кірістірілген режимі үшін)

**Русский**

[Для оборудования, на которое распространяется действие Директивы о радиоборудовании.]

Настоящим компания LG Electronics заявляет, что тип радиоборудования «Монитор Signage» соответствует Директиве 2014/53/ЕС. Полный текст декларации ЕС о соответствии доступен по следующему адресу в сети Интернет:

<http://www.lg.com/global/support/cedoc/cedoc#>

LG Electronics European Shared Service Center B.V.  
Krijgsman 1  
1186 DM Amstelveen  
The Netherlands

Полоса частот 5150–5350 МГц предназначена для использования только в помещениях. (Для моделей со встроенным Wi-Fi/Bluetooth или со встроенным Wi-Fi)

**Українська**

[Для обладнання, яке відповідає Директиві щодо радіобладнання] Ця компанія LG Electronics засвідчує, що це радіобладнання, а саме Монітор Signage, відповідає Директиві 2014/53/EU. Повний текст декларації ЄС про відповідність читайте за адресою:

<http://www.lg.com/global/support/cedoc/cedoc#>

LG Electronics European Shared Service Center B.V.  
Krijgsman 1  
1186 DM Amstelveen  
The Netherlands

Діапазон 5150–5350 МГц можна використовувати лише у приміщенні. (Для моделей із вбудованою функцією Wi-Fi/Bluetooth або Wi-Fi)

**العربية**

[للمعدات تحت توجيه المعاداة الراديوية]

بجهاز لاسلكي متوافق مع توجيه الاتحاد الأوروبي 2014/53/EU. توفر النص الكامل لإعلان الاتحاد الأوروبي حول التوافق على الموقع الإلكتروني التالي:

<http://www.lg.com/global/support/cedoc/cedoc#>

لمركز الأوروبي للخدمة المشتركة لشركة  
LG Electronics  
Krijgsman 1  
DM Amstelveen 1186  
هولندا

يمكن استخدام نطاق التردد الذي يتراوح ما بين 5150 و5350 ميغاهرتز إلا في الأماكن الداخلية فقط (للحصول على نموذج المدمج في واي فاي / بلوتوث أو مدمجة في نموذج واي فاي)

**Türkçe**

[Radyo Ekipmanı Direktifi Kapsamındaki Ekipmanlar İçin]

İşbu belgeyle LG Electronics, radyo ekipmanı tipi [Televizyonun] 2014/53/EU Direktifi ile uyumlu olduğunu beyan eder. AB uygunluk beyanının tam metnine şu internet adresinden ulaşabilirsiniz:

<http://www.lg.com/global/support/cedoc/cedoc#>

LG Electronics European Shared Service Center  
B.V.

Krijgsman 1

1186 DM Amstelveen

The Netherlands

5150 – 5350 MHz bant yalnızca kapalı alanda kullanılabilir. (Wi-Fi/Bluetooth dahili model veya Wi-Fi dahili model)



# НАИМЕНОВАНИЕ И АДРЕС ПРОИЗВОДИТЕЛЯ/ АТАУЫ ЖӘНЕ ӨНДІРУШІНІҢ МЕКЕНЖАЙЫ/ НАЙМЕНУВАННЯ ТА АДРЕСА ВИРОБНИКА

English				
<b>Name</b>	LG ELECTRONICS INC.	LG Electronics Nanjing New Technology Co.,Ltd.	LG Electronics Mława Sp. zo. o.	LG Electronics RUS, LLC
<b>Address</b>	LG Electronics Inc. 77, Sanho-daero, Gumi-Si, Gyeongsangbuk-Do, 730-709, Korea  (299, Gongdan-Dong, Gumi, Gyeongsangbuk-Do, 730-906, Korea)	No.346 Yaoxin Road, Economic & Technical Development Zone, Nanjing, 210038, China	7 LG Electronics St., 06-500, Mława, Poland	b. 9, 86 km of Minskoe highway, Rural village, Dorokhovskoe, Ruza District, Moscow Region , 143160, Russian Federation
Russia				
<b>Name</b>	Эл Джи Электроникс Инк.	ЛГ Электроникс Нанджин Нью Технолоджи Ко., Лтд.	ООО «ЛГ Электроникс Млава»	ООО «ЛГ Электроникс РУС»
<b>Address</b>	ЛГ Электроникс Инк. 730-709, Корея, Гьёнсангбук-до, Гуми-щи, Санхо-даеро, 77  (Корея, 730-906, Гиёнгансангбук-До, г. Гуми, Гондан-Донг, 299)	Китай, 210038, г. Нанджин, Зона Экономического и Технического Развития, Яоксин Роуд, 346	06-500, Польша, Млава, ул.ЛГ Электроникс 7.	143160, РФ, Московская область, Рузский район, СП Дороховское, 86-й км. Минского шоссе, д.9.
Ukraine				
<b>Name</b>	ЛГ Електронікс Інк.	ЛГ Електронікс Нанджін Нью Технолоджі Ко., Лтд	«ЛГ Електронікс Млава СП. зо. о»	ТОВ «ЛГ Електронікс РУС»
<b>Address</b>	ЛГ Електронікс Інк. 77, Санхо-даеро, Гуми-си, Гуеонгсангбук-До, 730-709, Корея  (Гондан-Донг 299, Гумі, Гуеонгсангбук-До, 730-906, Корея.)	Яоксин Роуд, Економік енд Технікал Девелопмент Зоун 346, Нянджін, 210038, Китай	ул. ЛГ Електронікс 7, 06-500 Млава, Польша.	Адреса: 143160, РФ, Московська область, Рузьский район, СП Дороховське, 86-й км. Мінського шоссе, д.9.
Kazakhstan				
<b>Name</b>	LG ELECTRONICS INC.	LG Electronics Nanjing New Technology Co.,Ltd.	«ЛГ Электроникс Польша»	ООО «ЛГ Электроникс РУС»
<b>Address</b>	ЛГ Электроникс Инк. 730-709, Корея республикасы, Гьёнсангбук-до, Гуми- щи, Санхо-даеро, 77  (Корея, 730-906, Гиёнгансангбук-До, Гуми қаласы, Гондан-Донг, 299)	Қытай, 210038, Нанджин қаласы, Экономикалық және Техникалық даму аймағы, Яоксин Роуд, 346	06-500, Польша, Млава, көшесі. ЛГ Электроникс 7.	Ресей, 143160, Мәскеу облысы, Руза ауданы, Дороховское ауылы, Минск тасжолы, 86 км, 9-үй.

## НАИМЕНОВАНИЕ И АДРЕС ИМПОРТЕРА/ АТАУЫ ЖӘНЕ ИМПОРТЕРДІҢ МЕКЕНЖАЙЫ

	Russia	Kazakhstan	Belarus
<b>Name</b>	000 «ЛГ Электроник РУС»	АО «Эл Джи Электроник Алматы Казахстан»	000 «ЛГ Электроник РУС»
<b>Address</b>	143160, РФ, Московская область, Рузский район, СП Дороховское, 86-й км. Минского шоссе, д.9.	050061, Қазақстан, Алматы қаласы, Құрылысшы ық. ауд., Көкөрай көшесі, 2А	143160, РФ, Московская область, Рузский район, СП Дороховское, 86-й км. Минского шоссе, д.9.

## НАИМЕНОВАНИЕ И АДРЕС СЕРВИСНОГО ПРЕДСТАВИТЕЛЬСТВА/ ҚЫЗМЕТІ ӨКІЛІНІҢ АТЫ МЕН МЕКЕН-ЖАЙЫ/ НАЙМЕНУВАННЯ ТА АДРЕСА СЕРВІСНОГО ПРЕДСТАВНИЦТВА

### РОССИЯ

Претензии (предложения) по качеству товара, ремонту и техническому обслуживанию товара принимает: Сервисный филиал ООО «ЛГ Электроник РУС», 125047, Россия, Москва, 4-й Лесной переулок, 4.  
Информацию о сервисных центрах можно получить в службе поддержки клиентов по тел.: 8-800-200-76-76

### ҚАЗАҚША

Қазақстан Республикасы территориясында тұтынушылардан келіп түскен талаптар мен ұсыныстарды қарайтын және тауарды жөндеу мен техникалық қызмет көрсететін ұжым: АҚ «Эл Джи Электроник Алматы Казахстан», 050061, Қазақстан Республикасы, Алматы қ., Көкөрай, 2А. Басқа сервис орталықтары жайында мағлұматты «Тұтынушыға қызмет көрсету орталығына» телефон шалу арқылы білуге болады.

### Українська

Претензії (пропозиції) щодо якості товару, ремонту чи технічного обслуговування ви можете надіслати за адресою: ПП «ЛГ Електронік Україна», вул. Басейна, 6, м. Київ, 01004 (тел.: +38 (044) 201-43-50). Інформацію про адреси сервісних центрів ви можете отримати, звернувшись до Служби підтримки клієнтів.



