

Intel® NUC7 Home, a Mini PC with Windows® 10 – NUC7i5BNKP

Intel® NUC7 Enthusiast, a Mini PC with Windows® 10 – NUC7i7BNKQ

User Guide

Before You Begin



CAUTION

The procedures in this guide assume familiarity with the general terminology associated with personal computers and with the safety practices and regulatory compliance required for using and modifying electronic equipment.

Always disconnect the computer from its power source and from any network before performing any of the procedures described in this guide.

Failure to disconnect power or networks before you open the computer or perform any procedures can result in personal injury and/or equipment damage. Some circuitry on the board can continue to operate even though the front panel power button is off.

Follow these guidelines before you begin:

- Always follow the steps in each procedure in the correct order.
- Create a log to record information about your computer, such as model, serial numbers, installed options, and configuration information.
- Electrostatic discharge (ESD) can damage components. Perform the procedures described in this chapter only at an ESD workstation using an antistatic wrist strap and a conductive foam pad. If such a station is not available, you can provide some ESD protection by wearing an antistatic wrist strap and attaching it to a metal part of the computer chassis.

Installation Precautions

When you install and test the Intel NUC, observe all warnings and cautions in the installation instructions.

To avoid injury, be careful of:

- Sharp pins on connectors
- Sharp pins on circuit boards
- Rough edges and sharp corners on the chassis
- Hot components (such as SSDs, processors, voltage regulators, and heat sinks)
- Damage to wires that could cause a short circuit

Observe Safety and Regulatory Requirements

If you do not follow these instructions, you increase your safety risk and the possibility of noncompliance with regional laws and regulations.

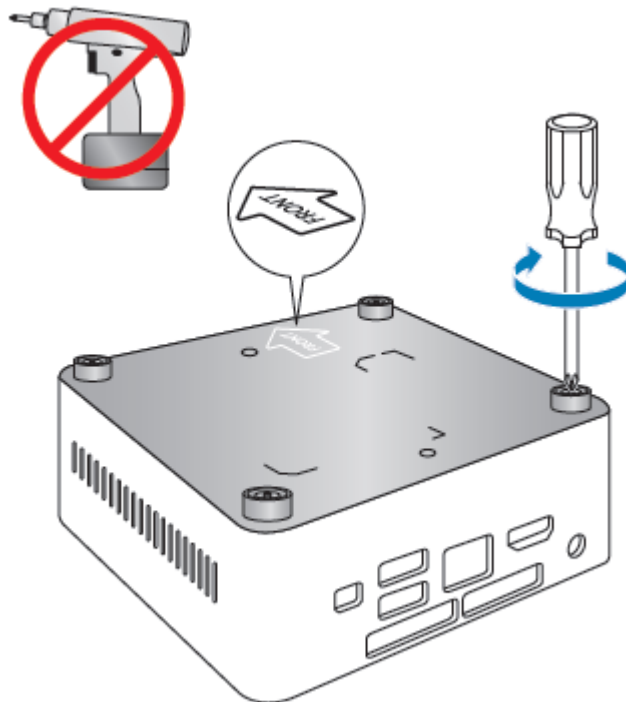
This guide tells you how to:

- [Upgrade memory \(RAM\)](#)
- [Change/install an M.2 SSD](#)
- [Use a VESA mount bracket](#)
- [Identify the correct power adapter](#)
- [Installing an operating system](#)
- [Keeping device drivers current](#)

Open the Intel NUC Chassis

To open the Intel NUC chassis, follow these steps:

1. Using a screwdriver, unscrew the four corner screws on the bottom cover of the chassis and lift the cover (using an electric or battery operated screw driver can damage the NUC).



Upgrading System Memory

The Intel NUC Mini PCs NUC7i5BNKP and NUC7i7BNKQ have two 260-pin DDR4 SO-DIMM sockets. Both mini PCs come with pre-installed memory.

Pre-installed memory

NUC7i5BNKP	Two - 4GB memory modules – 8GB Total
NUC7i7BNKQ	Two - 8GB memory modules – 16GB Total

To upgrade memory, be sure to select memory modules that meet these requirements:

- 1.2V low voltage memory
- 2133 MHz SO-DIMMs
- Non-ECC

Find compatible memory modules in the Intel Product Compatibility Tool

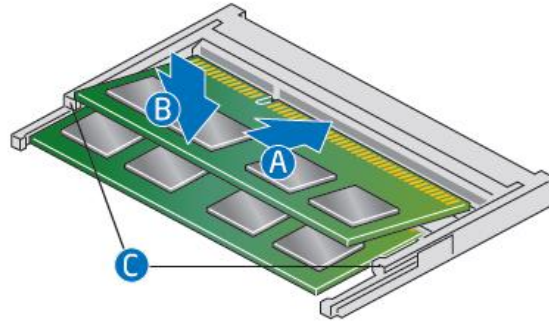
- [NUC7i5BNKP](#)
- [NUC7i7BNKQ](#)

To upgrade or add memory, follow these steps:

1. Observe the precautions in "Before You Begin" on page 2.
2. Turn off all peripheral devices connected to the computer. Turn off the computer and disconnect the power cord.
3. Remove the computer's bottom chassis cover.

Upgrade to different memory

- a. Remove the pre-installed memory module
 - i. Gently spread the retaining clips at each end of the memory socket, which causes the module to pop out of the socket (C).
 - ii. Holding the module by the edges, lift it away from the socket, and store it in an anti-static package.
- b. Install the new memory module
 - i. Align the space at the bottom edge of the memory module with the key in the socket.
 - ii. Insert the bottom edge of the module at a 45 degree angle into the socket (A).
 - iii. When the module is inserted, push down on the outer edges of the module until the retaining clips snap into place (B). Make sure the clips are firmly in place (C).



Install an additional memory module

- a. Align the space at the bottom edge of the memory module with the key on the socket.
 - b. Insert the bottom edge of the module at a 45 degree angle into the socket (A).
 - c. When the module is inserted, push down on the outer edges of the module until the retaining clips snap into place (B). Make sure the clips are firmly in place (C).
4. Reinstall and reconnect any parts you removed or disconnected to reach the memory sockets.
 5. Replace the computer's cover and reconnect the power cord.

Changing an M.2 SSD

The Intel NUC Kits NUC7i5BNKP and NUC7i7BNKQ support either an 80mm or 42mm SSD. Both mini PCs come pre-installed with an m.2 SSD.

Pre-installed M.2

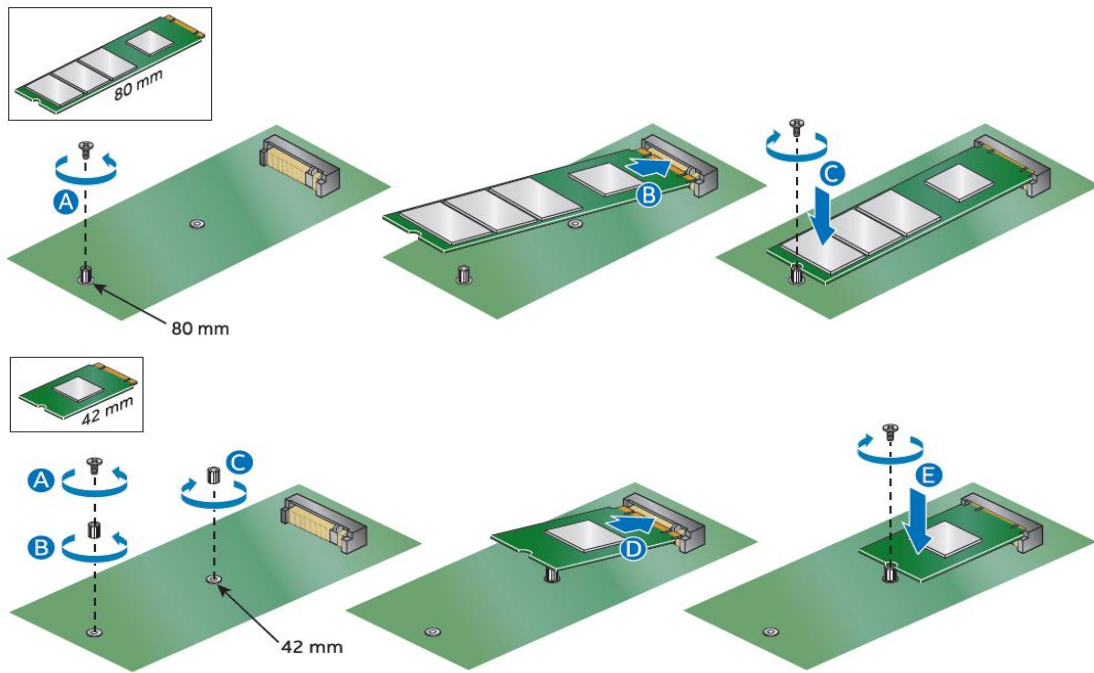
NUC7i5BNKP	One - 256GB Intel® 600p NVMe SSD
NUC7i7BNKQ	One - 512GB Intel® 600p NVMe SSD

Find compatible M.2 SSDs in the Intel Product Compatibility Tool

- [NUC7i5BNKP](#)
- [NUC7i7BNKQ](#)

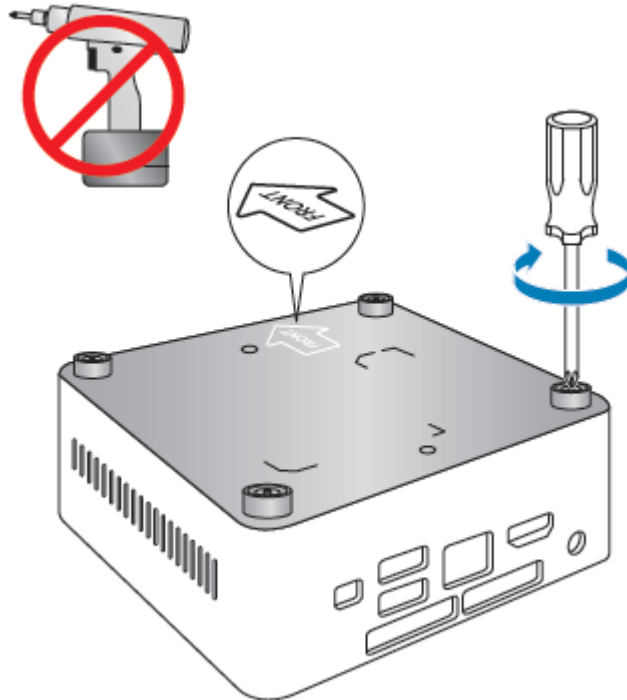
To Change an M.2 SSD:

1. Remove the small silver screw from the 80mm or 42mm metal standoff on the board (A).
2. Remove the pre-installed SSD from the connector.
3. Align the space at the bottom of the new M.2 SSD to the key on the connector.
4. Insert the bottom edge of the M.2 SSD into the connector (B).
5. Secure the card to the standoff with the small silver screw (C).



Close the Chassis

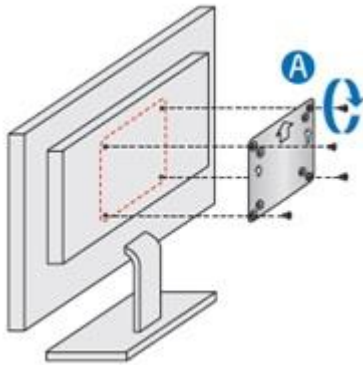
After all components have been installed, close the Intel NUC chassis (using an electric or battery operated screw driver can damage the NUC).



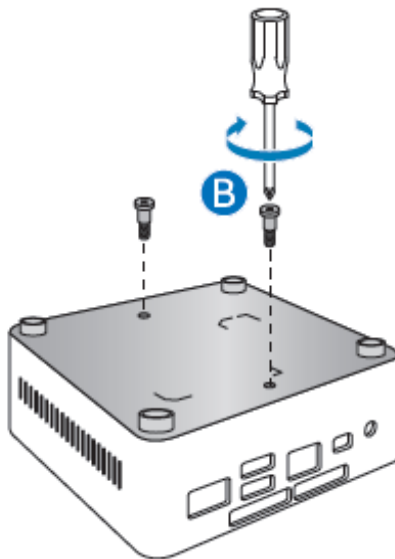
Attach and Use the VESA Bracket (Optional)

Follow these instructions to attach and use the VESA mount bracket:

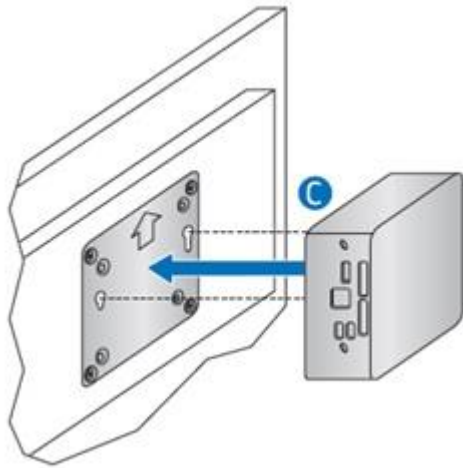
1. Using the four small black screws that are included in the box, attach the VESA bracket to the back of the monitor or TV.



2. Attach the two slightly larger black screws to the bottom chassis cover of the Intel NUC.



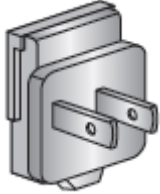
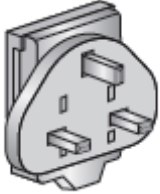
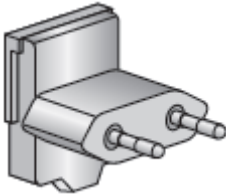
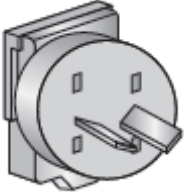
3. Slide the Intel NUC onto the VESA mount bracket.

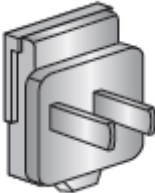
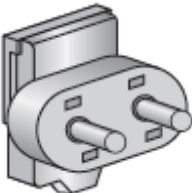
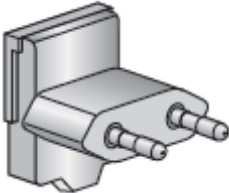
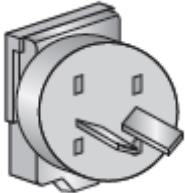


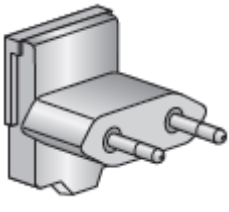
Power Adapters

Country-specific power plug adapters are included in the Intel NUC Mini PC box.

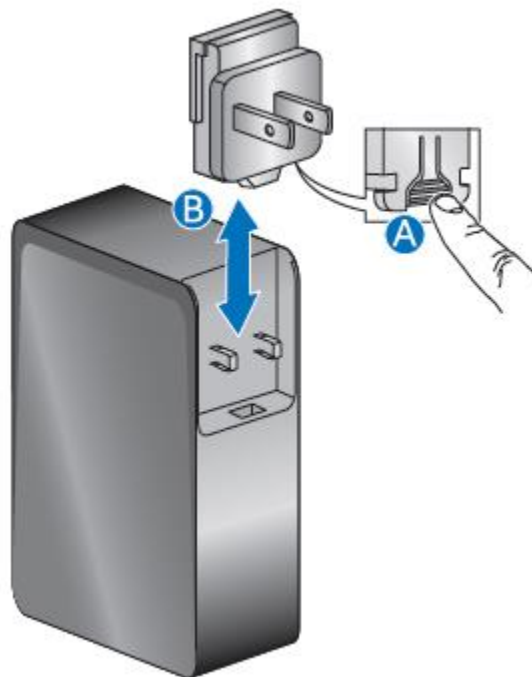
1. Choose the correct adapter for your region.

Plug				
Code	US	UK	EU	AUS
Country	United States	United Kingdom	European Union	Australia

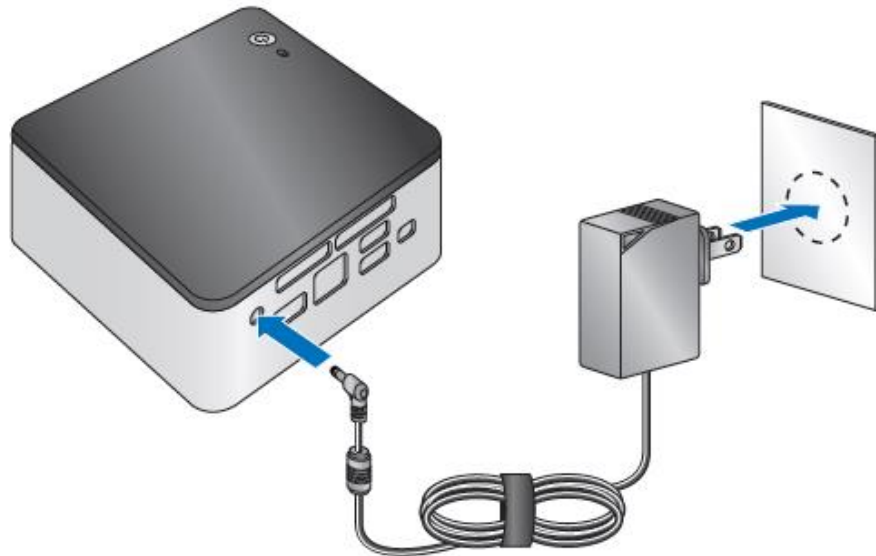
Plug				
Code	CHN	IND	KOR	ARG
Country	China	India	South Korea	Argentina

Plug	
Code	BRA
Country	Brazil

- Slide the adapter (B) onto the power plug, locking it into place (A).



3. Connect AC power.



Installing an Operating System

If a Hard drive or SSD has been removed or replaced, it may be necessary to reinstall the Windows® 10 operating system. Refer to [Operating System Installation](#) page for installation steps.

Keeping Intel NUC Drivers Current

To download the latest Microsoft* Windows* drivers and BIOS updates, use the [Intel® Driver & Support Assistant \(Intel® DSA\)](#) or the specific Download Center page:

- [Intel® NUC 7 Home, a Mini PC with Windows® 10 – NUC7i5BNKP](#)
- [Intel® NUC 7 Enthusiast, a Mini PC with Windows® 10 – NUC7i7BNKQ](#)

The following Drivers are available:

- Realtek* Audio
- Intel® Bluetooth
- Intel® Chipset
- ITE* Consumer Infrared
- Intel® Graphics
- Intel® ME
- Intel® Rapid Storage Technology
- Intel® Ready Mode Technology
- Intel® LAN (wired and wireless)
- Thunderbolt™
- Realtek Card Reader Driver