

A798 Single-Station Direct Thermal Printer



POS Receipt Printers



A798

The champion of value-priced POS printers.

The A798 represents the next generation of reliable, high performance, low priced receipt printers. Built on CognitiveTPG's reputation for delivering durable printers, the A798 combines exceptional print speed with a small footprint, standard dual interface, and monochrome printing.



Dual RS232 Serial/USB Interface Shown Above

- 150 mm/sec print speeds w/203 dpi resolution
- Monochrome thermal printing
- Steel frame modular design for greater strength and faster delivery
- Unsurpassed reliability -- 60 million printlines and 2.3 million knife cuts
- Multiple interface options
 - Dual (USB & Serial), Serial, Parallel, Powered USB
- Standard two-year warranty
- Liquid dam and drainage built-in for improved spill resistance
- RoHS & WEEE compliant (Dual, Serial, Ethernet, USB)
- Color options: Beige, Dark Gray, Black
- Small footprint to fit in tight spaces

COGNITIVE TPG

800.732.8950
sales@CognitiveTPG.com
www.CognitiveTPG.com

A798

The Champion of Value-Priced POS Printers

Fast Monochrome Printing

Sharp 203 dpi thermal printing, with print speeds of 150 mm/sec, improves transaction productivity and customer satisfaction.

Rugged and Reliable Design

Full steel modular frame built around our legendary rugged print mechanism. The steel frame adds strength and stability, extending component life. Combined with CognitiveTPG's exclusive, self-sharpening ceramic knife, the A798 offers the industry's best combination of printhead and autocutter reliability.

Versatile Modular Configuration

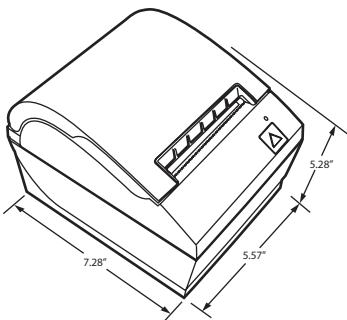
The A798's modular design means the best price/performance value in POS printers. The A798 is also backwards-compatible with earlier models and many competitive printers.

Ease of Use and Versatility

The A798 offers a small footprint to save valuable space with an easy drop-in paper loading design. The installation CD gives the choice of easy and fast basic installation or sophisticated custom installation options.

Increased Spill Resistance

The A798 was designed to withstand actual POS environments with liquid dam and unique drainage features for uninterrupted printing.



Meets strict European standards, such as RoHS & WEEE compliance, for non-toxicity of components and recyclability.

Technical Specifications

PRINT

Method	Direct Thermal
Speed (Monochrome)	150 mm/sec
Resolution	203 DPI
Knife	Self-sharpening ceramic rotary
Receipt (Columns)	44/56

MEDIA

Paper Roll Diameter	3.1" x 3.55" (80 mm x 90 mm)
Other Paper Widths	58, 60, 82.5 mm
Paper Out	Standard

MEMORY

RAM - 128 KB, Flash - 2 MB

COMMUNICATIONS

25-Pin RS-232 Serial	Yes
9-Pin RS-232 Serial	Yes, in Dual Interface
Parallel	Yes (non-RoHS)
USB	Version 2.0 compatible in Dual Interface
Powered USB	Yes

RELIABILITY

MCBF Printlines	60 million
MCBF Knife Cuts	2.3 million
Warranty	2 years

CASH DRAWER SUPPORT

1 connector drives up to 2 cash drawers

ELECTRICAL

Operating Voltage	DC 24V
Power Supply	55W External; Available without power supply
Power Consumption	2.3 A with active power management system

DIMENSIONS

Footprint (W X D X H)	5.65" x 7.27" x 5.27" (144 mm x 185 mm x 134mm)
Weight	4 lbs. (1.53 kg) printer only. 6 lbs. (2.72 kg) w/cartons, pads, and included accessories

CABINET COLORS

Beige, Dark Gray, Black

PRINTER DRIVERS

OPOS for Windows XP, & Vista, JPOS for Linux & Windows, Windows Mini Drivers for XP, Vista, & 7, Native USB Driver, RS-232 Emulation Driver for USB

CognitiveTPG Headquarters

25 Tri-State International, Suite 200, Lincolnshire, IL 60069
Toll Free: 800-732-8950 Phone: 847-383-7900 Fax: 847-383-7949
www.CognitiveTPG.com
Copyright 2008 CognitiveTPG. All Rights Reserved.

COGNITIVE TPG