

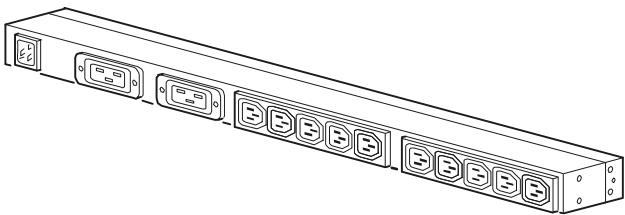
APC[®]

by Schneider Electric

Installation

Basic Rack Power Distribution Unit

AP9559





This manual is available in English on the enclosed CD.

Dieses Handbuch ist in Deutsch auf der beiliegenden CD-ROM verfügbar.

Este manual está disponible en español en el CD-ROM adjunto.

Ce manuel est disponible en français sur le CD-ROM ci-inclus.

Questo manuale è disponibile in italiano nel CD-ROM allegato.

Instrukcja obsługi w języku polskim jest dostępna na CD.

Данное руководство на русском языке имеется на прилагаемом компакт-диске.

O manual em Português está disponível no CD-ROM em anexo.

Bu kullanım kilavuzunun Türkçe'sä, äläxäkte gönderälen CD äçeräsände mevcuttur.

Contents

| | |
|--|----------|
| Before You Begin | 1 |
| Safety and grounding information | 1 |
| How to Install the Rack PDU | 2 |
| Mounting options | 2 |
| Attaching brackets to the PDU | 2 |
| Mounting the PDU (using screws) | 3 |
| Mounting the PDU (toolless mounting) | 4 |
| Operation | 5 |
| Overview | 5 |
| Specifications | 6 |
| Two-Year Factory Warranty | 7 |
| Terms of warranty | 7 |
| Non-transferable warranty | 7 |
| Exclusions | 7 |
| Warranty claims | 8 |

Before You Begin

Safety and grounding information



Electrical Hazard: Read the following information before installing or operating your APC Power Distribution Unit (PDU).

- This PDU is intended for indoor use only.
- Do not install this PDU where excessive moisture or heat is present.
- Never install any wiring, equipment, or PDU during a lightning storm.
- Plug this PDU into a three-wire, grounded power outlet only. The power outlet must be connected to appropriate branch circuit/mains protection (fuse or circuit breaker). Connection to any other type of power outlet may result in a shock hazard.
- Use only the supplied brackets for mounting.
- Do not use an additional extension cord or adapter with the primary power cord.
- Do not work alone under hazardous conditions.
- Check that the power cord, plug, and socket are in good condition.
- To reduce the risk of electric shock when you cannot verify grounding, disconnect the PDU from the power outlet before installing or connecting equipment. Reconnect it to the power outlet only after you have made all connections.
- Pluggable equipment includes a protective earth connector, which carries the leakage current from the load devices (computer equipment). Do not exceed a total leakage current of 3.5 mA.
- Do not handle any kind of metallic connector before the power has been removed.
- Use one hand, whenever possible, to connect or disconnect signal cables to avoid a possible shock from touching two surfaces with different grounds.
- This unit does not have any user-serviceable parts. Repairs are to be performed only by factory-trained service personnel.
- Always install the equipment as shown in the Installation Manual.

How to Install the Rack PDU

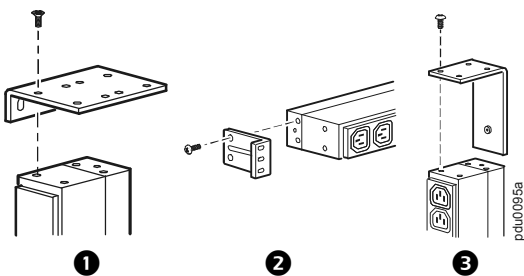
Mounting options

You can use choose three different options for mounting your PDU in an enclosure, depending on your preferences and the type of enclosure. All options require that you first attach mounting brackets to the PDU.

- Vertical mounting
 - For any standard 19-in rack, you can attach the brackets to the enclosure using the screws provided.
 - For a NetShelter VX enclosure (AR2100 series), you can mount the brackets to the enclosure by snapping them into place (toolless mounting).
- Horizontal mounting: For any NetShelter enclosure, you can mount the brackets to the enclosure using the screws provided. Horizontal mounting uses 1 U-space.

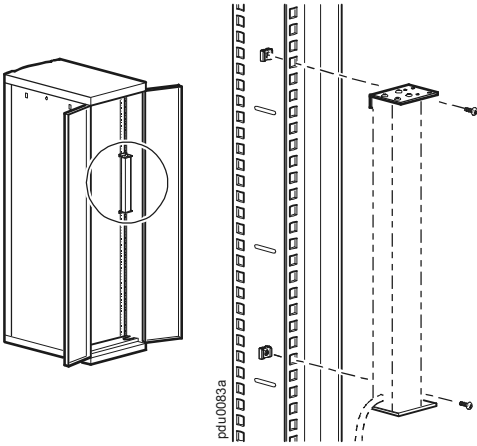
Attaching brackets to the PDU

1. Decide where and how you will mount the PDU in the enclosure. (See the figures on the following pages.)
2. Choose the appropriate mounting brackets, as shown below, for the option you chose:
 - for 19-in vertical mounting **1**
 - for horizontal mounting **2**
 - for toolless mounting **3**
3. Attach the brackets to the unit using four flat-head Phillips screws (provided) for each bracket.

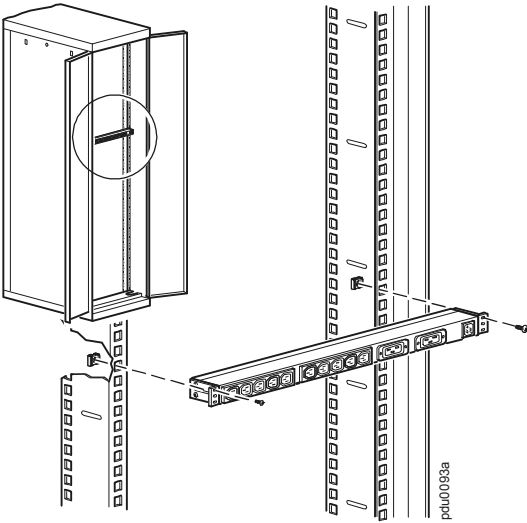


Mounting the PDU (using screws)

Vertical-mount (19-in).



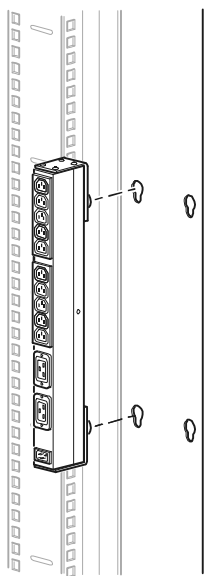
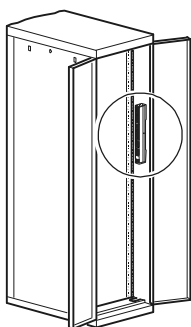
Horizontal-mount (1 U-space).



Mounting the PDU (toolless mounting)

This option for mounting the PDU is available for NetShelter VX enclosures only.

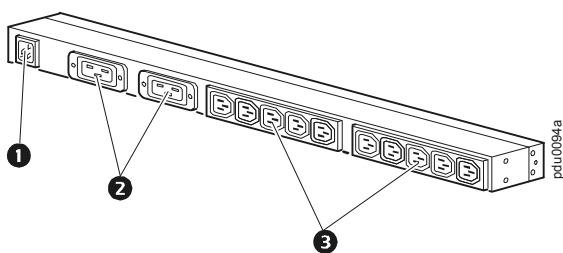
1. Holding the PDU in the direction shown below, slide the mounting pegs into the holes provided in the channel in the rear panel of the enclosure.
2. Snap the PDU into place by pushing it downward until it locks into position.



pdu0092a

Operation

Overview



- 1** Input IEC-320-C20 input connector (16 A @ 240 V; 20 A @ 120 V) used with detached power cord (supplied).
- 2** Outlets Two (2) IEC-320-C19 outlets
- 3** Outlets Ten (10) IEC-320-C13 outlets

Specifications

| Item | Specification |
|--|--|
| Power | |
| Input voltage range: | 120–240 V |
| Maximum current draw: | 208 V @ 12.8 A (UL, CUL) 120 V @ 16 A (UL, CUL) 240 V @ 16 A (VDE) |
| Physical | |
| Dimensions (L × W × D): | 17.60 × 1.75 × 2.25 in (44.70 × 4.45 × 5.72 cm) |
| Weight: | 2.15 lb (0.98 kg) |
| Shipping weight: | 5.20 lb (2.36 kg) |
| Environmental | |
| Elevation (above MSL): Operating Storage | 0 to 10,000 ft (0 to 3000 m) 0 to 50,000 ft (0 to 15 000m) |
| Temperature: Operating Storage | 32 to 113° F (0 to 45° C) –13 to 149° F (–25 to 65° C) |
| Relative humidity: Operating Storage | 0 to 95%, non-condensing 0 to 95%, non-condensing |
| Approvals/Standards | |
| UL, CUL, VDE | |

Two-Year Factory Warranty

This warranty applies only to the products you purchase for your use in accordance with this manual.

Terms of warranty

APC warrants its products to be free from defects in materials and workmanship for a period of two years from the date of purchase. APC will repair or replace defective products covered by this warranty. This warranty does not apply to equipment that has been damaged by accident, negligence or misapplication or has been altered or modified in any way. Repair or replacement of a defective product or part thereof does not extend the original warranty period. Any parts furnished under this warranty may be new or factory-remanufactured.

Non-transferable warranty

This warranty extends only to the original purchaser who must have properly registered the product. The product may be registered at the APC Web site, www.apc.com.

Exclusions

APC shall not be liable under the warranty if its testing and examination disclose that the alleged defect in the product does not exist or was caused by end user's or any third person's misuse, negligence, improper installation or testing. Further, APC shall not be liable under the warranty for unauthorized attempts to repair or modify wrong or inadequate electrical voltage or connection, inappropriate on-site operation conditions, corrosive atmosphere, repair, installation, exposure to the elements, Acts of God, fire, theft, or installation contrary to APC recommendations or specifications or in any event if the APC serial number has been altered, defaced, or removed, or any other cause beyond the range of the intended use.

THERE ARE NO WARRANTIES, EXPRESS OR IMPLIED, BY OPERATION OF LAW OR OTHERWISE, OF PRODUCTS SOLD, SERVICED OR FURNISHED UNDER THIS AGREEMENT OR IN CONNECTION HERewith. APC DISCLAIMS ALL IMPLIED WARRANTIES OF MERCHANTABILITY, SATISFACTION AND FITNESS FOR A PARTICULAR PURPOSE. APC EXPRESS WARRANTIES WILL NOT BE ENLARGED, DIMINISHED, OR AFFECTED BY AND NO OBLIGATION OR LIABILITY WILL ARISE OUT OF, APC RENDERING OF TECHNICAL OR OTHER ADVICE OR SERVICE IN CONNECTION WITH THE PRODUCTS. THE FOREGOING WARRANTIES AND REMEDIES ARE EXCLUSIVE AND IN LIEU OF ALL

OTHER WARRANTIES AND REMEDIES. THE WARRANTIES SET FORTH ABOVE CONSTITUTE APC'S SOLE LIABILITY AND PURCHASER'S EXCLUSIVE REMEDY FOR ANY BREACH OF SUCH WARRANTIES. APC WARRANTIES EXTEND ONLY TO PURCHASER AND ARE NOT EXTENDED TO ANY THIRD PARTIES.

IN NO EVENT SHALL APC, ITS OFFICERS, DIRECTORS, AFFILIATES OR EMPLOYEES BE LIABLE FOR ANY FORM OF INDIRECT, SPECIAL, CONSEQUENTIAL OR PUNITIVE DAMAGES, ARISING OUT OF THE USE, SERVICE OR INSTALLATION, OF THE PRODUCTS, WHETHER SUCH DAMAGES ARISE IN CONTRACT OR TORT, IRRESPECTIVE OF FAULT, NEGLIGENCE OR STRICT LIABILITY OR WHETHER APC HAS BEEN ADVISED IN ADVANCE OF THE POSSIBILITY OF SUCH DAMAGES. SPECIFICALLY, APC IS NOT LIABLE FOR ANY COSTS, SUCH AS LOST PROFITS OR REVENUE, LOSS OF EQUIPMENT, LOSS OF USE OF EQUIPMENT, LOSS OF SOFTWARE, LOSS OF DATA, COSTS OF SUBSTITUENTS, CLAIMS BY THIRD PARTIES, OR OTHERWISE.

NO SALESMAN, EMPLOYEE OR AGENT OF APC IS AUTHORIZED TO ADD TO OR VARY THE TERMS OF THIS WARRANTY. WARRANTY TERMS MAY BE MODIFIED, IF AT ALL, ONLY IN WRITING SIGNED BY AN APC OFFICER AND LEGAL DEPARTMENT.

Warranty claims

Customers with warranty claims issues may access the APC customer support network through the Support page of the APC Web site, www.apc.com/support. Select your country from the country selection pull-down menu at the top of the Web page. Select the Support tab to obtain contact information for customer support in your region.

APC Worldwide Customer Support

Customer support for this or any other APC product is available at no charge in any of the following ways:

- Visit the APC Web site to access documents in the APC Knowledge Base and to submit customer support requests.
 - **www.apc.com** (Corporate Headquarters)
Connect to localized APC Web sites for specific countries, each of which provides customer support information.
 - **www.apc.com/support/**
Global support searching APC Knowledge Base and using e-support.
- Contact the APC Customer Support Center by telephone or e-mail.
 - Local, country-specific centers: go to **www.apc.com/support/contact** for contact information.

For information on how to obtain local customer support, contact the APC representative or other distributors from whom you purchased your APC product.

Entire contents copyright 2008 American Power Conversion Corporation. All rights reserved. Reproduction in whole or in part without permission is prohibited. APC, the APC logo, InfraStruXure, and NetShelter are trademarks of American Power Conversion Corporation. All other trademarks, product names, and corporate names are the property of their respective owners and are used for informational purposes only.

990-7213B-001

11/2008

