

DATA SHEET



USB-C to DisplayPort Travel Adapter - 4K 60Hz

Connect a USB Type-C device to the DisplayPort input of a monitor, projector, or HDTV to display video and audio

OVERVIEW

The USB-C to DisplayPort Travel Adapter is the perfect solution for connecting a device with a USB 3.1 Type-C connector to an HDTV, projector, or other display with a DisplayPort input. With this adapter, you can rest easy knowing that you have the right connection you need while traveling or on the go.

Convenience

The compact, mobile design of this adapter and the convenient smart ring keychain make it perfect for BYOD (Bring Your Own Device) applications in any environment. Simply keep this adapter on your keychain or even in your pocket to be prepared for your next big meeting.

Performance

This adapter supports resolutions up to 4k (3840 x 2160 at 60Hz), allowing it to deliver a high-quality video image to the connected display.

FEATURES

- Supports resolutions up to 4K (3840 x 2160 at 60HZ)
- DisplayPort Alt mode
- Smart ring keychain design
- Portable design
- Foldable USB-C cable
- Compatible with USB-C and Thunderbolt™ 3 ports
- Reversible, symmetrical USB-C connector

ITEM DESCRIPTION

82109 USB-C to DisplayPort Travel Adapter

designed to be better.™



DATA SHEET

SPECIFICATIONS: USB-C to DisplayPort Travel Adapter

VIDEO SPECIFICATIONS:

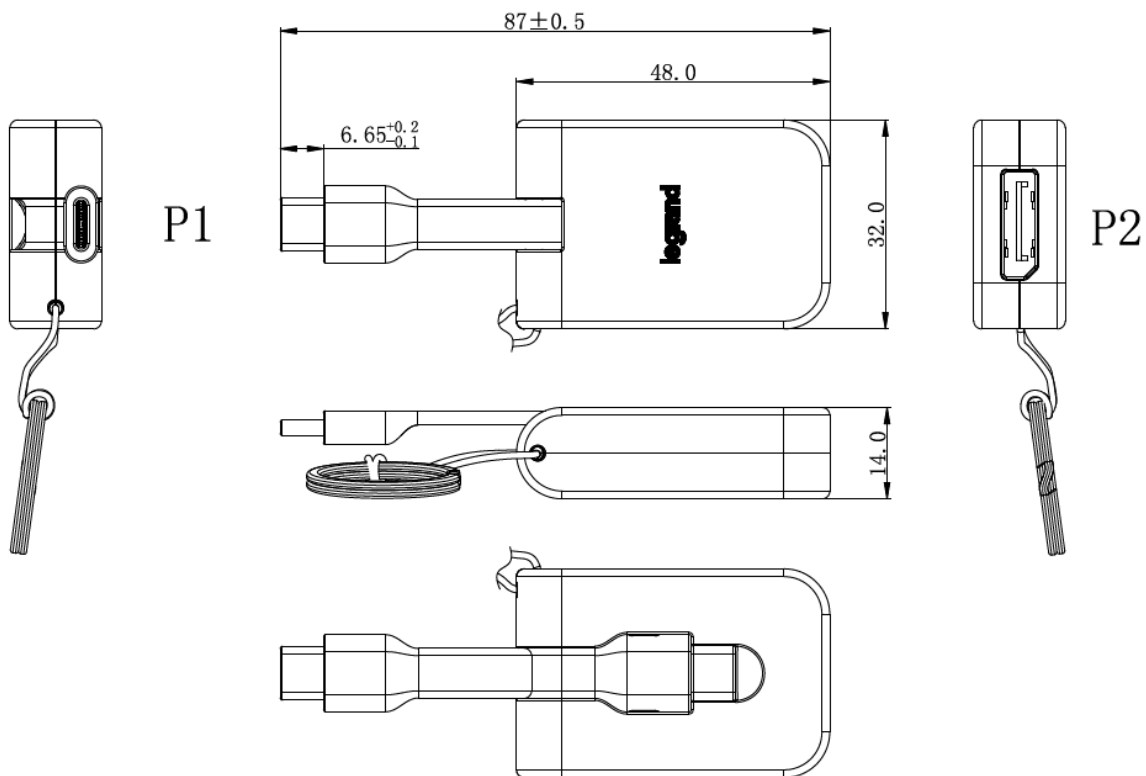
- Video Resolution: 3840x2160 60Hz
- DP ALT mode, DP1.2 spec.
- Support: HDCP (any version), HDR, DTS

PHYSICAL SPECIFICATIONS:

- Operating Temperature: 0°C~50°C
- Storage Temperature: -25°C~70°C

PHYSICAL CHARACTERISTICS:

- Connector P1: Type-C/M, nickel plated
- Connector P2: Type-C/M to DP/chip
- Cable: Type-C Black, Type-C/M+FPC
- Shell P1: Type-C black, Type-C/M+FPC integrated (black fine grain)
- Shell P2: Molded Case/ABS Cover Black/Spray Rubber Oil Type-C to DP/F
- QC Inspection



Great King Street North
Birmingham, West Midlands, B19 2LF
UK Phone (0)800 328 2916
EMEA Phone +44 (0)1952 677300
www.c2g.com/uk

Follow Us

