

K
KIOSK

Uniquely creative, uniquely responsive to your needs.

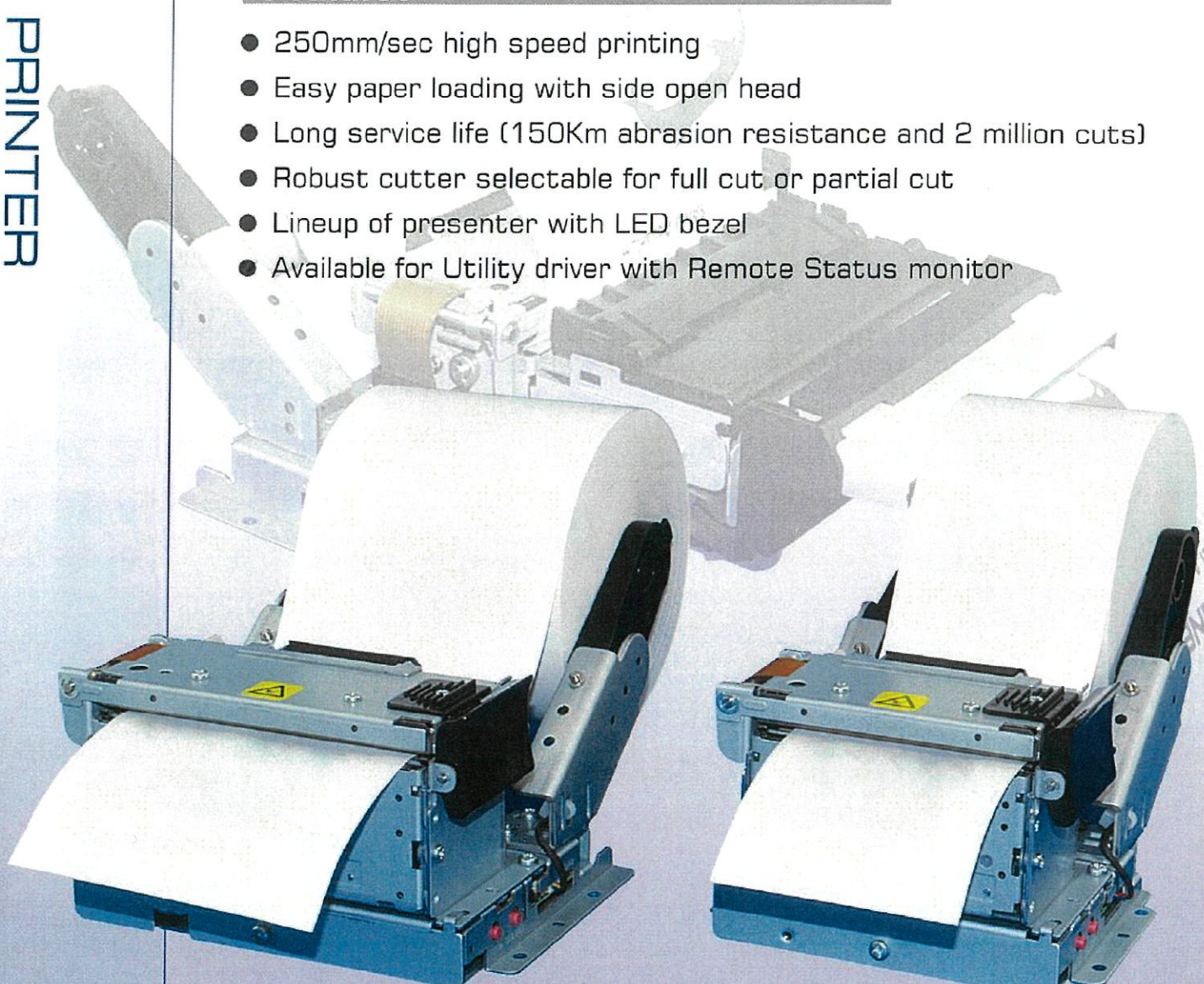
KIOSK PRINTER

SK1-211/SK1-311

HIGH-SPEED KIOSK PRINTER

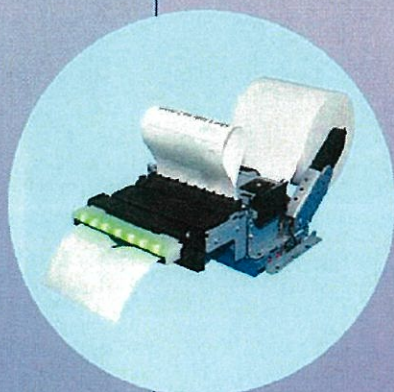
Features

- 250mm/sec high speed printing
- Easy paper loading with side open head
- Long service life (150Km abrasion resistance and 2 million cuts)
- Robust cutter selectable for full cut or partial cut
- Lineup of presenter with LED bezel
- Available for Utility driver with Remote Status monitor



SK1-311

SK1-211



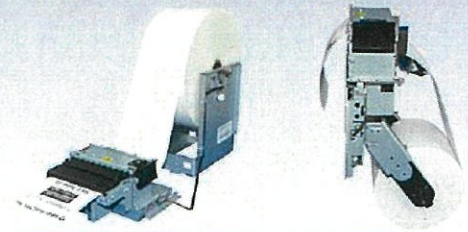
SK1-211/SK1-311

Features

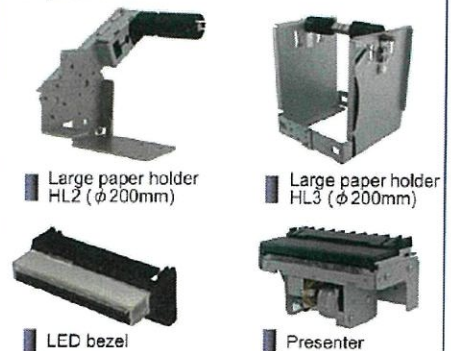
- 250mm/sec high speed printing
- Easy paper loading with side open head
- Robust cutter selectable for full cut or partial cut
- Lineup of presenter with LED bezel
- Fine graphic printing
- Utility driver with Remote Status monitor

Applications

- Gas pump
- Parking
- Self service kiosk
- Gaming and Lottery
- Queue systems
- Vending machine



Options



Specifications	SK1-211	SK1-311
Printing method	Direct line thermal	
Resolution	203dpi (8 dots/mm)	
Number of dots	Max.448 dots	Max.640 dots
Printing width	56/54mm	80/72/56/54mm
Paper width	60/58mm	83/80/60/58mm
Printing speed	Max.250mm/sec.	
Paper style	Receipt paper / Label paper	
Paper thickness	0.059 to 0.15mm (52g/m ² to 128g/m ²)	
Paper roll diameter	Max. φ 120mm (φ 200mm available)	
Character font	8x16, 12x24 dots	
Barcode	JAN8/13, CODE39, ITF, CODABAR, CODE128, UPC-A/E (Option) QR, Maxicode, PDF417	
Paper sensor	Paper end, Paper near end, Black mark & Label gap (Option)	
Paper loading	Head open or Auto loading	
Auto cutter	Full cut or partial cut (Command selectable)	
Interface	RS232C Serial + USB2.0	
Emulations	ESC/POS™ Conformity	
Power supply	24VDC±5%	
Operating temperature	-20 to 60 °C, 20% to 85%RH (Non-condensation)	
Storage temperature	-30 to 70 °C	
Reliability	Print head : 150km, 200million pulses Auto Cutter : 2,000,000 cuts (Specified paper)	
Safety standards	CE, FCC, VCCI	
Overall dimensions	104(W)×145.5(D)×85.4(H)mm	127(W)×145.5(D)×85.4(H)mm
Mass	Approx. 525g	Approx. 630g

*ESC/POS is registered trademark of Seiko Epson Corporation
*All specifications are subject to change without notice.

Star Micronics Southeast Asia

+66(0)2-631-1161-2

© 2015 Star Micronics Southeast Asia

All Rights Reserved. All trademarks are property of their respective owners. Specifications are subject to change without notice.

star

www.starmicronics.com