

BenQ



RL

**MONITOR FOR
CONSOLE e-SPORTS**

RL Series
User Manual

Copyright

Copyright © 2017 by BenQ Corporation. All rights reserved. No part of this publication may be reproduced, transmitted, transcribed, stored in a retrieval system or translated into any language or computer language, in any form or by any means, electronic, mechanical, magnetic, optical, chemical, manual or otherwise, without the prior written permission of BenQ Corporation.

Disclaimer

BenQ Corporation makes no representations or warranties, either expressed or implied, with respect to the contents hereof and specifically disclaims any warranties, merchantability or fitness for any particular purpose. Further, BenQ Corporation reserves the right to revise this publication and to make changes from time to time in the contents hereof without obligation of BenQ Corporation to notify any person of such revision or changes.

The performance of flicker-free may be affected by external factors such as poor cable quality, unstable power supply, signal interference, or poor grounding, and not limited to the above mentioned external factors. (Applicable for flicker-free models only.)

BenQ ecoFACTS

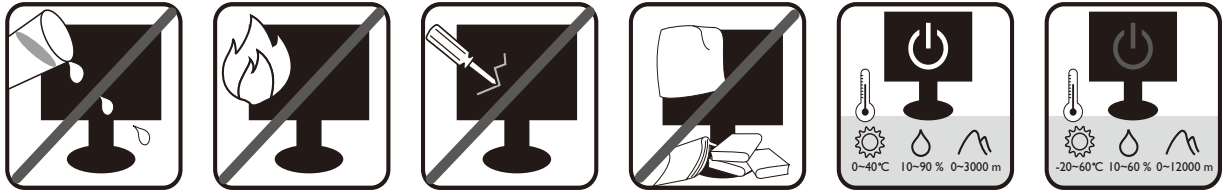
BenQ has been dedicated to the design and development of greener product as part of its aspiration to realize the ideal of the "Bringing Enjoyment 'N Quality to Life" corporate vision with the ultimate goal to achieve a low-carbon society. Besides meeting international regulatory requirement and standards pertaining to environmental management, BenQ has spared no efforts in pushing our initiatives further to incorporate life cycle design in the aspects of material selection, manufacturing, packaging, transportation, using and disposal of the products. BenQ ecoFACTS label lists key eco-friendly design highlights of each product, hoping to ensure that consumers make informed green choices at purchase. Check out BenQ's CSR Website at <http://csr.BenQ.com/> for more details on BenQ's environmental commitments and achievements.



Power Safety



Please follow these safety instructions for best performance, and long life for your monitor.



- The AC plug isolates this equipment from the AC supply.
- The power supply cord serves as a power disconnect device for pluggable equipment. The socket outlet should be installed near the equipment and be easily accessible.
- This product should be operated from the type of power indicated on the marked label. If you are not sure of the type of power available, consult your dealer or local power company.
- The Class I pluggable equipment Type A must be connected to protective earth.
- An approved power cord greater or equal to H03VV-F or H05VV-F, 2G or 3G, 0.75mm² must be used.

For Germany only:

- (If the weight of the product is less than or equal to 3 kg) An approved power cord greater or equal to H03VV-F, 3G, 0.75mm² must be used.
- (If the weight of the product is more than 3 kg) An approved power cord greater or equal to H05VV-F or H05RR-F, 3G, 0.75mm² must be used.
- (If a remote control is provided) RISK OF EXPLOSION IF BATTERY IS REPLACED BY AN INCORRECT TYPE. DISPOSE OF USED BATTERIES ACCORDING TO THE INSTRUCTIONS.

For models with adapter:

- Use only the power adapter supplied with your LCD Monitor. Use of another type of power adapter will result in malfunction and/or danger.
- Allow adequate ventilation around the adapter when using it to operate the device or charge the battery. Do not cover the power adapter with paper or other objects that will reduce cooling. Do not use the power adapter while it is inside a carrying case.
- Connect the power adapter to a proper power source.
- Do not attempt to service the power adapter. There are no service parts inside. Replace the unit if it is damaged or exposed to excess moisture.

Care And Cleaning

- Do not place the monitor face down on the floor or a desk surface directly. Otherwise, scratches on the panel surface may occur.

- The equipment is to be secured to the building structure before operation.
- (For models that support wall or ceiling mounting)
 - Install your monitor and monitor mounting kit on a wall with flat surface.
 - Ensure that the wall material and the standard wall mount bracket (purchased separately) are stable enough to support the weight of the monitor.
 - Turn off the monitor and the power before disconnecting the cables from the LCD monitor.
- Always unplug the product from the power outlet before cleaning. Clean the LCD monitor surface with a lint-free, non-abrasive cloth. Avoid using any liquid, aerosol or glass cleaners.
- Slots and openings on the back or top of the cabinet are for ventilation. They must not be blocked or covered. Your monitor should never be placed near or over a radiator or heat sources, or in a built-in installation unless proper ventilation is provided.
- Do not place heavy loads on the monitor to avoid possible personal injury or damage to the monitor.
- Consider keeping the box and packaging in storage for use in the future when you may need to transport the monitor.
- Refer to the product label for information on power rating, manufacture date, and identification markings.

Servicing

- Do not attempt to service this product yourself, as opening or removing covers may expose you to dangerous voltages or other risks. If any of the above mentioned misuse or other accident such as dropping or mishandling occurs, contact qualified service personnel for servicing.
- Contact your place of purchase or visit the local website from www.BenQ.com for more support.

Caution

- The monitor should be 50 ~ 70 cm (20 ~ 28 inches) away from your eyes.
- Looking at the screen for an extended period of time causes eye fatigue and may deteriorate your eyesight. Rest your eyes for 5 ~ 10 minutes for every 1 hour of product use.
- Reduce your eye strain by focusing on objects far way.
- Frequent blinking and eye exercise help keep your eyes from drying out.

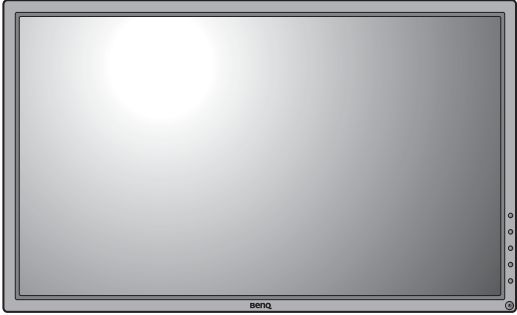
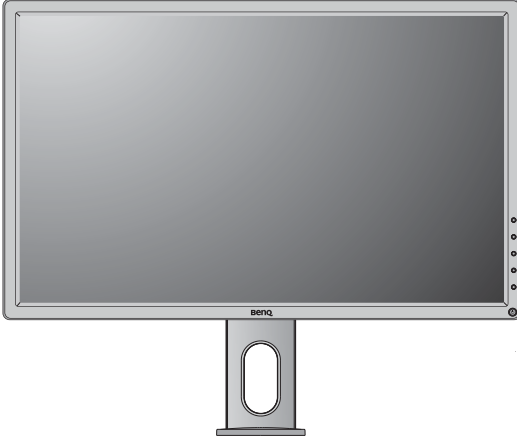
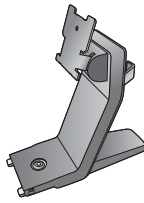
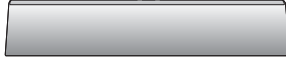
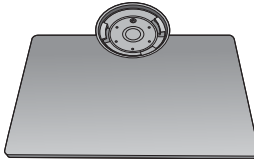
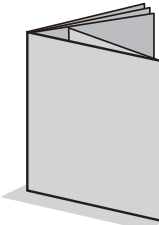
Table of Contents

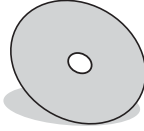
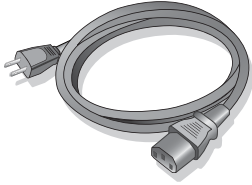
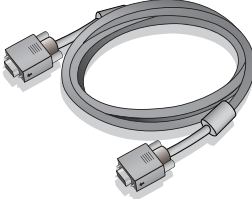
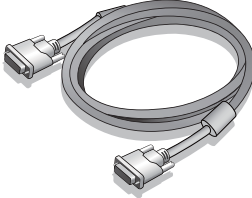
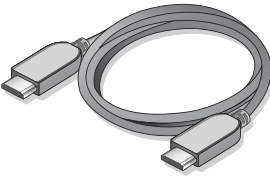


| | |
|--|----|
| Copyright | 2 |
| Getting started | 7 |
| Getting to know your monitor | 9 |
| Front view (for models without height adjustment stand) | 9 |
| Back view (for models without height adjustment stand) | 9 |
| Front view (for models with height adjustment stand) | 10 |
| Back view (for models with height adjustment stand) | 10 |
| Input and output ports | 11 |
| How to assemble your monitor hardware (for models without height adjustment stand) | 12 |
| Rest your console controller on the monitor base | 16 |
| How to detach the stand base | 17 |
| Using the monitor wall mounting kit | 19 |
| Assembling your monitor with a height adjustment stand | 20 |
| How to attach the monitor base | 20 |
| How to detach the base | 23 |
| Adjusting the monitor height | 24 |
| Rotating the monitor | 25 |
| Viewing angle adjustment | 26 |
| Using the monitor wall mounting kit | 27 |
| Getting the most from your BenQ monitor | 28 |
| How to install the monitor on a new computer | 29 |
| How to upgrade the monitor on an existing computer | 30 |
| How to install on Windows 10 system | 31 |
| How to install on Windows 8 (8.1) system | 32 |
| How to install on Windows 7 system | 33 |
| How to adjust your monitor | 34 |
| The control panel | 34 |
| Basic menu operation | 35 |
| Picture optimization | 37 |
| Customizing the hot keys | 37 |
| Setting up your own game mode | 37 |
| Adjusting display mode | 38 |
| Using Smart Scaling | 38 |
| Navigating the main menu | 39 |
| Display menu | 40 |
| Picture menu | 42 |
| Picture Advanced menu | 45 |

| | |
|--|-----------|
| Save Settings menu | 49 |
| Audio menu | 50 |
| System menu | 51 |
| Troubleshooting | 54 |
| Frequently asked questions (FAQ) | 54 |
| Need more help?..... | 56 |

Getting started

When unpacking please check you have the following items. If any are missing or damaged, please contact the place of purchase for a replacement.

| | |
|---|--|
| BenQ LCD Monitor | (for models without height adjustment stand)  (for models with height adjustment stand)  |
| Monitor Stand (for models without height adjustment stand) |  |
| Monitor Base (for models without height adjustment stand) |  |
| Monitor Base (for models with height adjustment stand) |  |
| Quick Start Guide |  |

| | |
|---|---|
| CD-ROM |  |
| Power Cord (Picture may differ from product supplied for your region.) |  |
| Video Cable: D-Sub (Optional accessory, sold separately) |  |
| Video Cable: DVI-D (Optional accessory, sold separately) |  |
| Video Cable: HDMI |  |
| Audio Cable |  |
| Headphone Hook (for models with height adjustment stand) |  |



• Available accessories and the pictures shown here may differ from the actual contents and the product supplied for your region. And the package contents may subject to change without prior notice. For cables that are not supplied with your product, you can purchase them separately.

• Consider keeping the box and packaging in storage for use in the future when you may need to transport the monitor. The fitted foam packing is ideal for protecting the monitor during transport.



Always keep the product and accessories out of reach of small children.

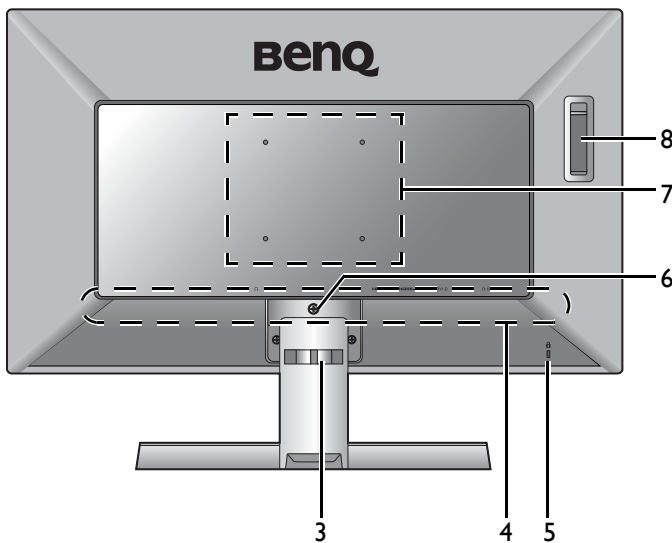
Getting to know your monitor

Front view (for models without height adjustment stand)



1. Control buttons
2. Power button

Back view (for models without height adjustment stand)



3. Cable clip
4. Input and output ports (vary by model, see [Input and output ports on page 11](#))
5. Kensington lock slot
6. Stand release
7. Wall mount holes
8. Headphone hook



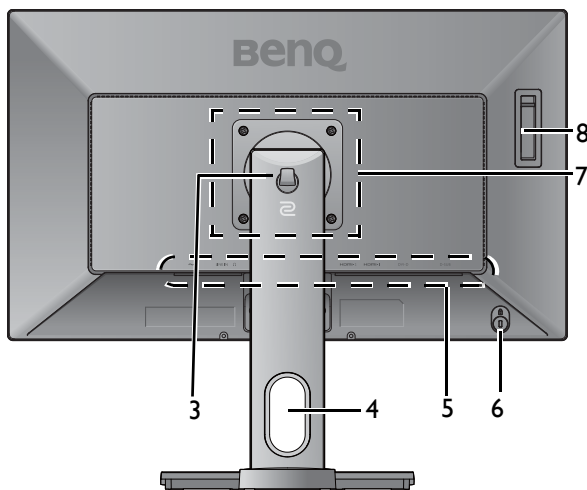
- Above diagram may vary depending on the model.
- Picture may differ from the product supplied for your region.

Front view (for models with height adjustment stand)



1. Control buttons
2. Power button

Back view (for models with height adjustment stand)



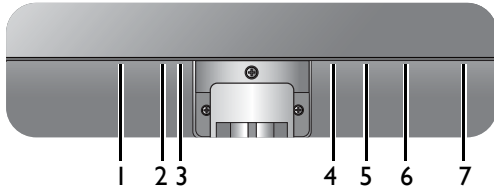
3. Headphone hook
4. Cable management hole
5. Input and output ports (vary by model, see [Input and output ports on page 11](#))
6. Kensington lock slot
7. Wall mount holes
8. Headphone hook



- Above diagram may vary depending on the model.
- Picture may differ from the product supplied for your region.

Input and output ports

Available input and output ports may vary depending on your purchased model. Check the Specification document on the provided CD for details.



1. AC power input jack
2. Audio Line In
3. Headphone jack
4. HDMI socket
5. HDMI socket
6. DVI-D socket
7. D-Sub socket

How to assemble your monitor hardware (for models without height adjustment stand)



- If your model came with a height adjustment stand (HAS), refer to [Assembling your monitor with a height adjustment stand on page 20](#) for details on hardware installation.
- If the computer is turned on you must turn it off before continuing.
Do not plug-in or turn-on the power to the monitor until instructed to do so.
- The following illustrations are for your reference only. Available input and output jacks may vary depending on the purchased model.

I. Attach the monitor base.



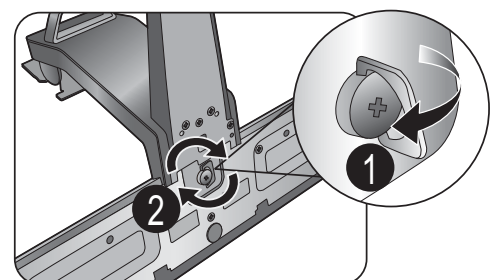
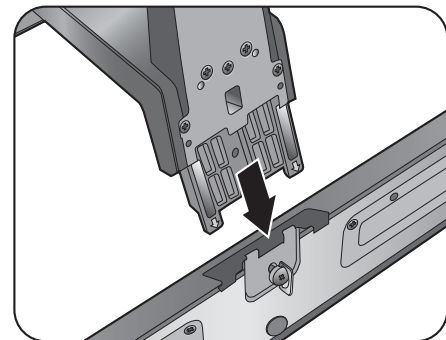
Please be careful to prevent damage to the monitor. Placing the screen surface on an object like a stapler or a mouse will crack the glass or damage the LCD substrate voiding your warranty. Sliding or scraping the monitor around on your desk will scratch or damage the monitor surround and controls.

Protect the monitor and screen by clearing a flat open area on your desk and placing a soft item like the monitor packaging bag on the desk for padding.

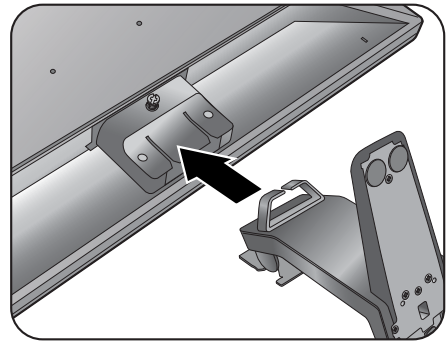
Gently lay the screen face down on a flat clean padded surface.

Attach the monitor stand to the monitor base as illustrated until it locks in place.

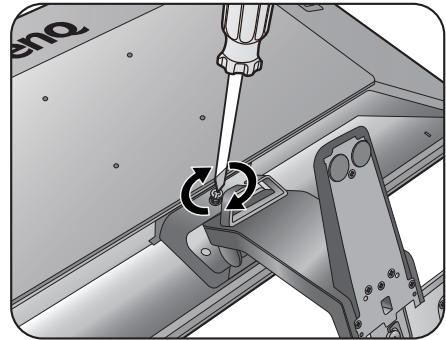
Tighten the screw on the bottom of the monitor base as illustrated.



Orient and align the stand arm with the monitor, then push them together until they click and lock into place.

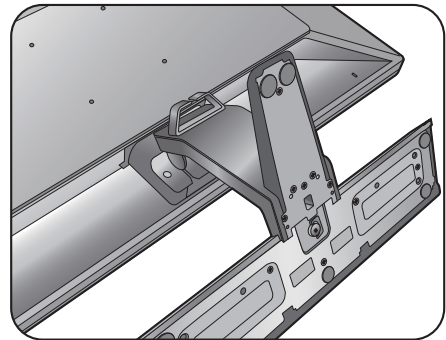


Tighten the screw that fixes the stand to the monitor.

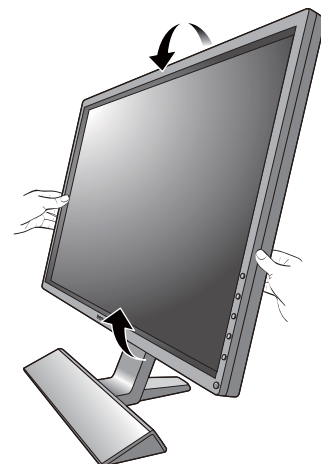


Gently attempt to pull them back apart to check that they have properly engaged.

Carefully lift the monitor, turn it over and place it upright on its stand on a flat even surface.



You should position the monitor and angle the screen to minimize unwanted reflections from other light sources.



2. Connect the PC video cable

To Connect the D-Sub Cable

Connect the plug of the D-Sub cable (at the end without the ferrite filter) to the monitor video socket. Connect the other end of the cable (at the end with the ferrite filter) to the computer video socket.

Tighten all finger screws to prevent the plugs from accidentally falling out during use.

To Connect the DVI-D Cable

Connect the plug of the DVI-D cable (at the end without the ferrite filter) to the monitor video socket. Connect the other end of the cable (at the end with the ferrite filter) to the computer video socket.

Tighten all finger screws to prevent the plugs from accidentally falling out during use.

To Connect the HDMI Cable

Connect the plug of the HDMI cable to the HDMI port on the monitor. Connect the other end of the cable to the HDMI port of a digital output device.



If there is more than one video transmission method available to you, you might want to take the picture quality of each video cable into consideration before making the connection.

- Better quality: HDMI / DVI-D
- Good quality: D-Sub

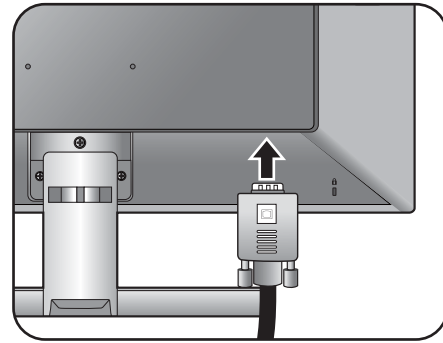


The video cables included in your package and the socket illustrations on the right may vary depending on the product supplied for your region.

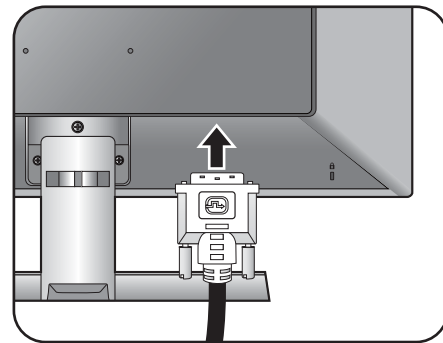
3. Connect the audio cable (for models with speakers).

Connect the audio cable between the socket on the rear of the monitor (Line In) and your computer audio outlet.

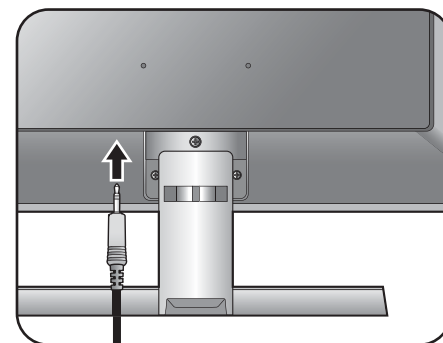
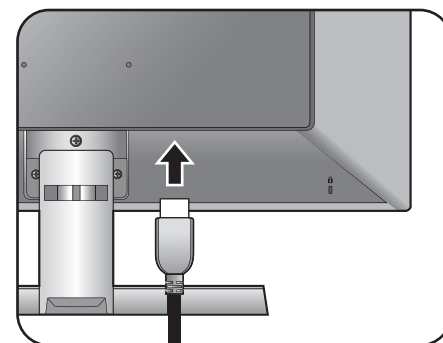
Either



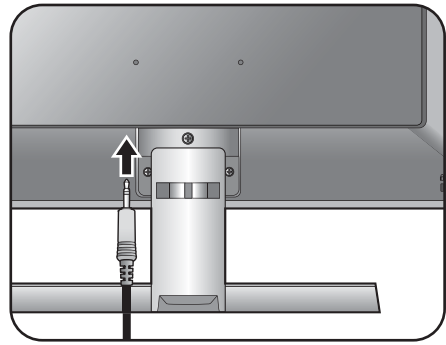
Or



Or



You may connect headphones to the headphone jack found on the back side of the monitor.

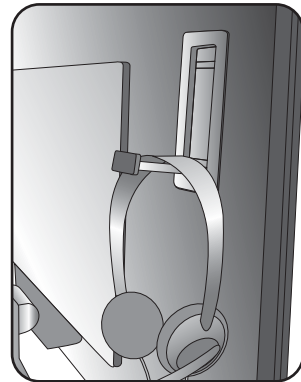


4. Using the headphone hook.

Pull out the headphone hook found on the back of the monitor.




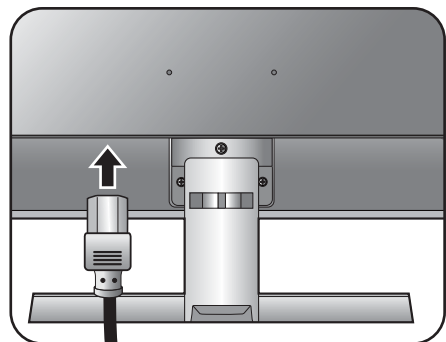
Gently leave your headset on the headphone hook if needed.



- ⓘ The maximum load capacity of the headphone hook is 400g. Excessive force on the hook is prohibited.

5. Connect the power cable to the monitor.

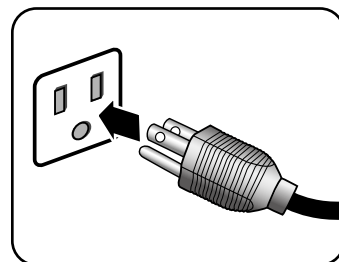
Plug one end of the power cord into the socket labelled  on the rear of the monitor. Do not connect the other end to a power outlet just yet.



6. Connect-to and turn-on the power.

Plug the other end of the power cord into a power outlet and turn it on.

- ⓘ Picture may differ from product supplied for your region.

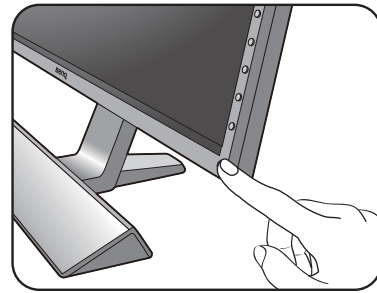


Turn on the monitor by pressing the power button on the monitor.

Turn on the computer too, and follow the instructions in [Getting the most from your BenQ monitor on page 28](#) to install the monitor software.

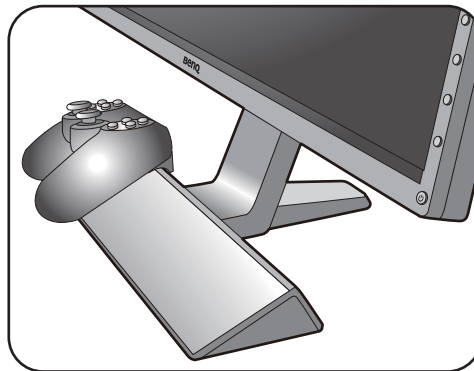


To extend the service life of the product, we recommend that you use your computer's power management function.



Rest your console controller on the monitor base

The base is designed for holding the controller. You can put the controller on the base when it is not in use.



How to detach the stand base

1. Prepare the monitor and area.

Turn off the monitor and the power before unplugging the power cable. Turn off the computer before unplugging the monitor signal cable.

Protect the monitor and screen by clearing a flat open area on your desk and placing a soft item like a towel on the desk for padding, before laying the screen face down on a flat clean padded surface.

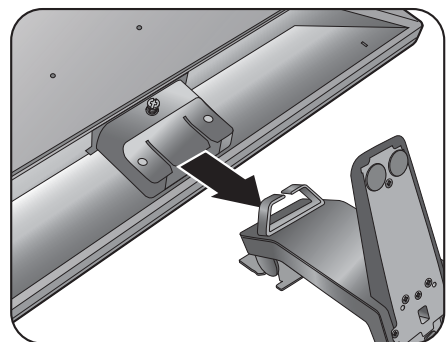
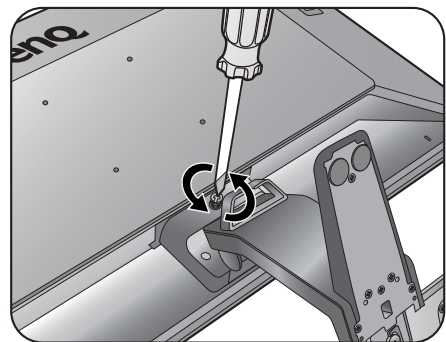
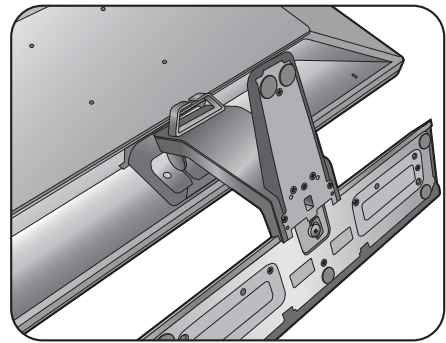


Please be careful to prevent damage to the monitor. Placing the screen surface on an object like a stapler or a mouse will crack the glass or damage the LCD substrate voiding your warranty. Sliding or scraping the monitor around on your desk will scratch or damage the monitor surround and controls.

2. Remove the monitor stand.

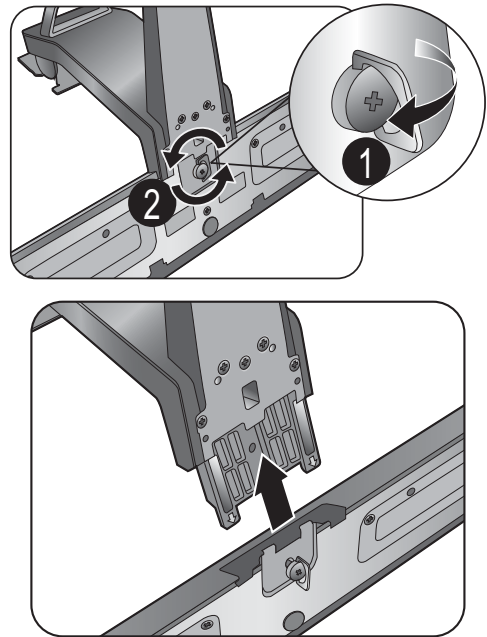
Use a cross-pointed screwdriver to release the screws that fixing the monitor stand to the monitor.

Then pull the monitor stand backward away from the monitor.



3. Remove the monitor base.

Release the thumbscrew on the bottom of the monitor base and detach the monitor base as illustrated.



Using the monitor wall mounting kit

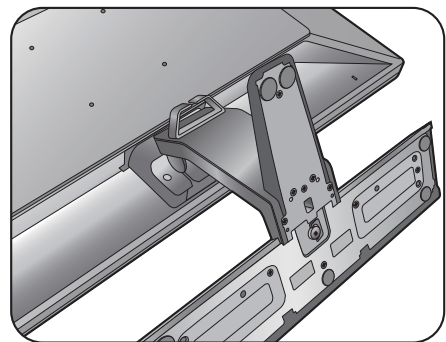
The back of your LCD monitor has a VESA standard mount with 100mm pattern, allowing the installation of a wall mount bracket. Before starting to install a monitor wall mounting kit, please read the precautions carefully.

Precautions

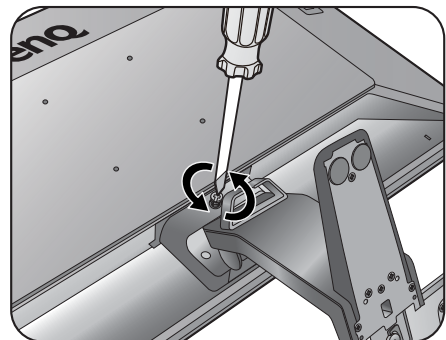
- Install your monitor and monitor mounting kit on a wall with flat surface.
- Ensure that the wall material and the standard wall mount bracket (purchased separately) are stable enough to support the weight of the monitor. Refer to the product specifications for weight information.
- Turn off the monitor and the power before disconnecting the cables from the LCD monitor.

1. Remove the monitor stand.

Lay the screen face down on a clean and well-padded surface.



Detach the monitor base as instructed in [How to detach the stand base on page 17](#).



2. Follow the instruction manuals of the wall mount bracket you purchased to complete the installation.



Use four M4 x 10 mm screws to fix a VESA standard wall mount bracket to the monitor. Make sure that all screws are tightened and secured properly. Consult a professional technician or BenQ service for wall mount installation and safety precautions.

Assembling your monitor with a height adjustment stand

How to attach the monitor base



- If the computer is turned on you must turn it off before continuing.
Do not plug-in or turn-on the power to the monitor until instructed to do so.
- The following illustrations are for your reference only. Available input and output jacks may vary depending on the purchased model.



Please be careful to prevent damage to the monitor. Placing the screen surface on an object like a stapler or a mouse will crack the glass or damage the LCD substrate voiding your warranty. Sliding or scraping the monitor around on your desk will scratch or damage the monitor surround and controls.

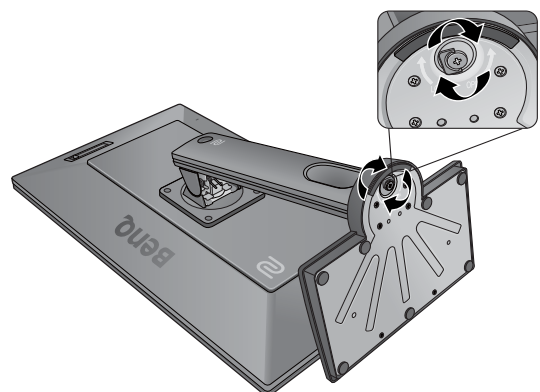
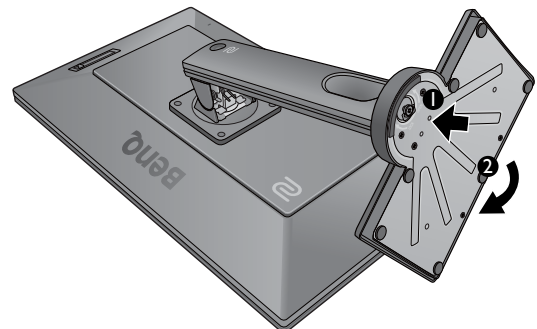
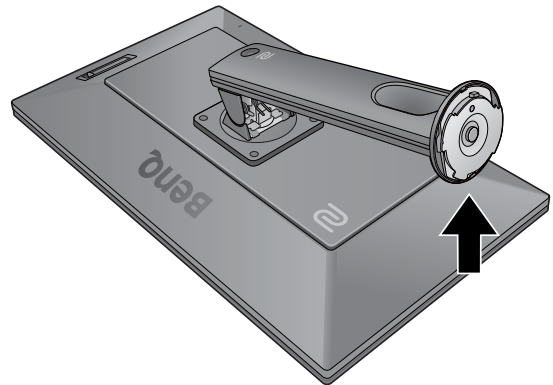
Protect the monitor and screen by clearing a flat open area on your desk and placing a soft item like the monitor packaging bag on the desk for padding.

Gently lay the screen face down on a flat clean padded surface.

While holding the monitor firmly against the desk, pull the monitor stand arm upwards clear of the monitor.

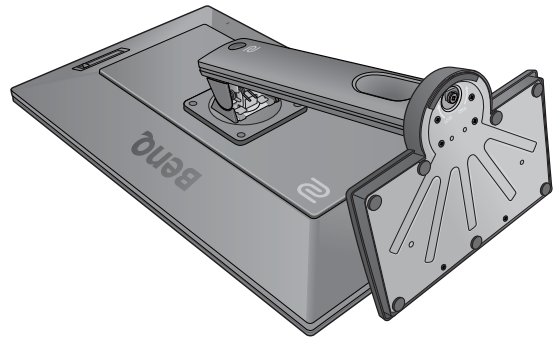
Orient and align the stand base socket with the end of the stand arm, then push them together and rotate the monitor base until it locks into place.

Tighten the thumbscrew on the bottom of the monitor base as illustrated.

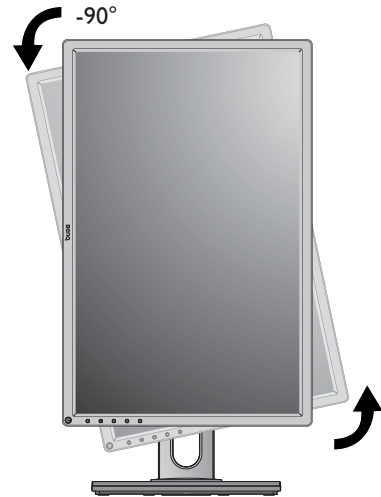


Gently attempt to pull them back apart to check that they have properly engaged.

Carefully lift the monitor, turn it over and place it upright on its stand on a flat even surface.



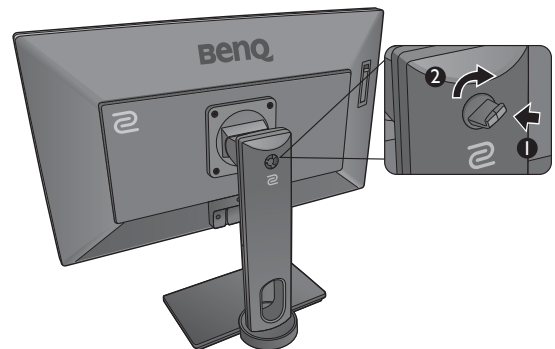
Extend the monitor to the maximum extended position. Then tilt the monitor. And rotate the monitor 90 degrees counterclockwise as illustrated.



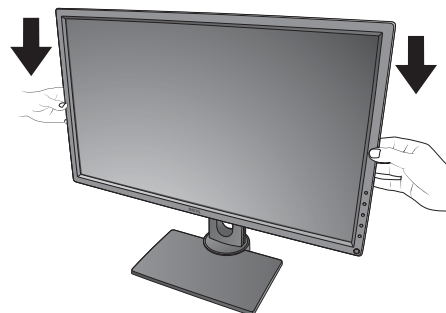
You can install the headphone hook to place your headphone. It is useful when your headphone is not in use.

Orient and align the headphone hook with the hole on the monitor stand, and attach the hook to the hole (1).

Turn the hook clockwise until you cannot go further (2). The headphone hook is ready to use.

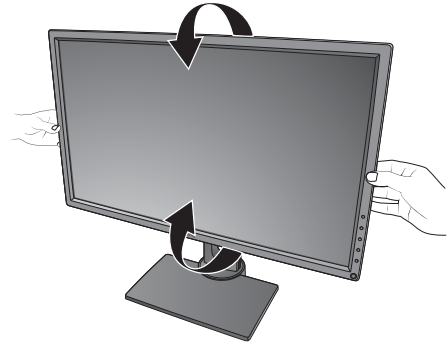


You might want to adjust the monitor stand height. See [Adjusting the monitor height on page 24](#) for more information.





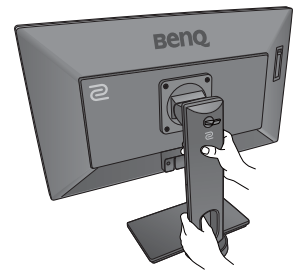
You should position the monitor and angle the screen to minimize unwanted reflections from other light sources.



How to detach the base



To move the monitor properly, you should extend the monitor to its maximum height, then place one hand on the upper part of the monitor stand and the other hand on the lower part of the stand as illustrated.

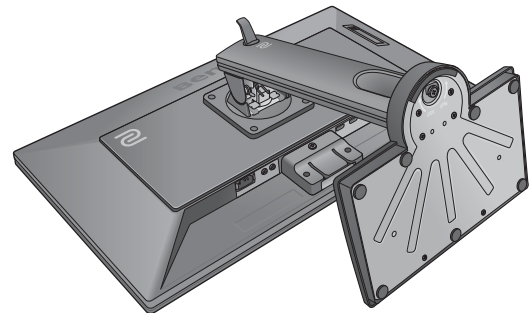


1. Prepare the monitor and area.

Turn off the monitor and the power before unplugging the power cable. Turn off the computer before unplugging the monitor signal cable.

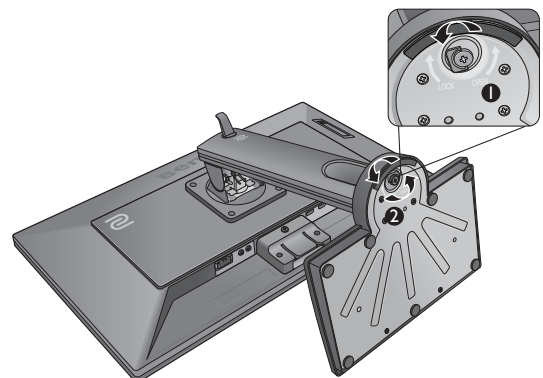
Gently lift the display up and extend the stand to the maximum extended position.

Protect the monitor and screen by clearing a flat open area on your desk and placing a soft item like a towel on the desk for padding, before laying the screen face down on a flat clean padded surface.

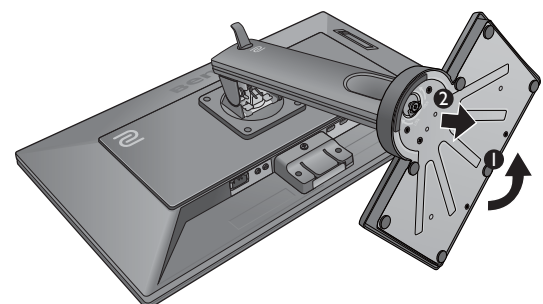


Please be careful to prevent damage to the monitor. Placing the screen surface on an object like a stapler or a mouse will crack the glass or damage the LCD substrate voiding your warranty. Sliding or scraping the monitor around on your desk will scratch or damage the monitor surround and controls.

2. Release the thumbscrew on the bottom of the monitor base and detach the monitor base as illustrated.

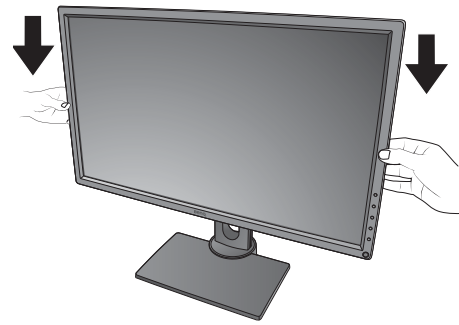


3. Remove the monitor base.

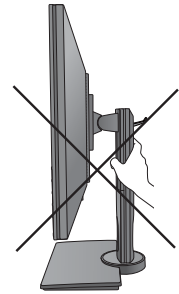
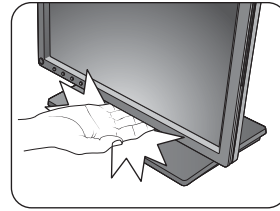


Adjusting the monitor height

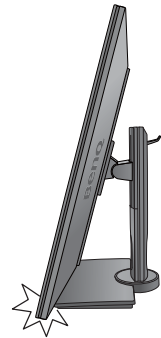
To adjust the monitor height, hold both the left and the right sides of the monitor to lower the monitor or lift it up to the desired height.



- Avoid placing hands on the upper or lower part of the height-adjustable stand or at the bottom of the monitor, as ascending or descending monitor might cause personal injuries. Keep children out of reach of the monitor while performing this operation.



- If the monitor has been rotated to portrait mode and height adjustment is desired, you should be noted that the wide screen will keep the monitor from being lowered to its minimum height.



Rotating the monitor

1. Pivot the display.

Before rotating the monitor with a portrait viewing orientation, the display has to be rotated 90 degrees.

Right-click the desktop and select **Screen resolution** from the popup menu. Select **Portrait** in **Orientation**, and apply the setting.



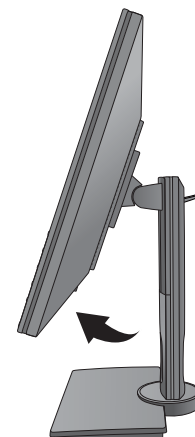
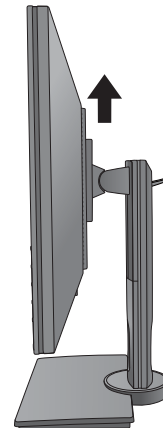
Depending on the operation system on your PC, different procedures should be followed to adjust the screen orientation. Refer to the help document of your operation system for details.

2. Fully extend the monitor and tilt it.

Gently lift the display up and extend it to the maximum extended position. Then tilt the monitor.



The monitor should be vertically extended to allow to rotate from landscape to portrait mode.

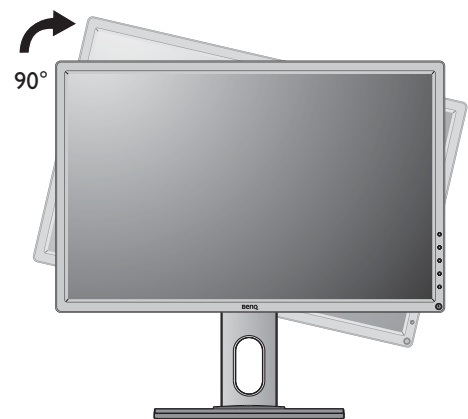


3. Rotate the monitor 90 degrees clockwise as illustrated.



To avoid the edge of the LCD display hitting the monitor base surface while it is being rotated, do tilt and extend the monitor to the highest position before you start to rotate the display.

You should also make sure there are no obstacles around the monitor and there is enough room for cables. You might need to route the cables again via the cable clip after the rotation.



4. Adjust the monitor to the desired viewing angle.

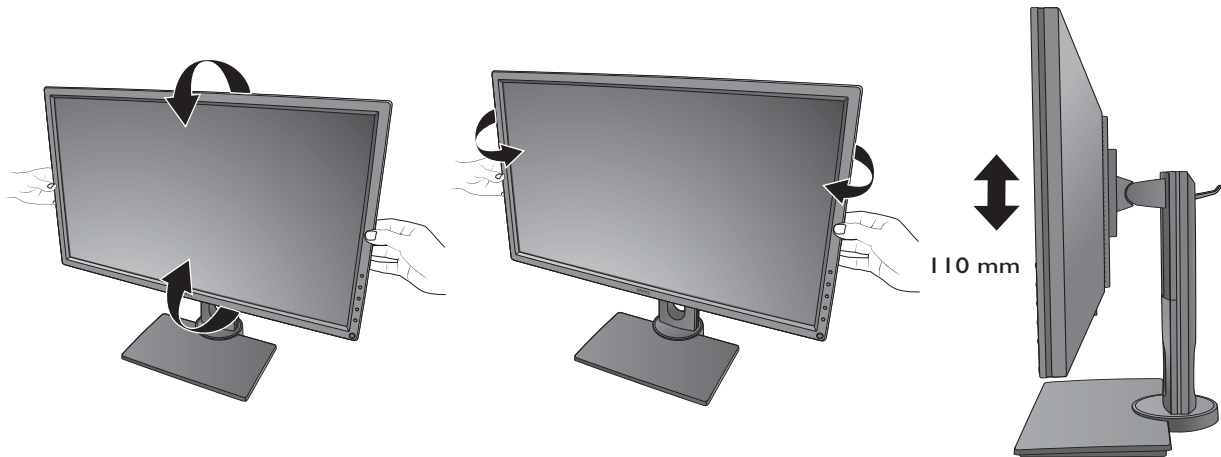


Before rotating the monitor, you must retract the headphone hook located on the display. Refrain from using the headphone hook when the monitor is rotated 90 degrees.



Viewing angle adjustment

You may position the screen to the desired angle with the monitor tilt, swivel, and height adjustment functions.



Using the monitor wall mounting kit

The back of your LCD monitor has a VESA standard mount with 100mm pattern, allowing the installation of a wall mount bracket. Before starting to install a monitor wall mounting kit, please read the precautions carefully.

Precautions:

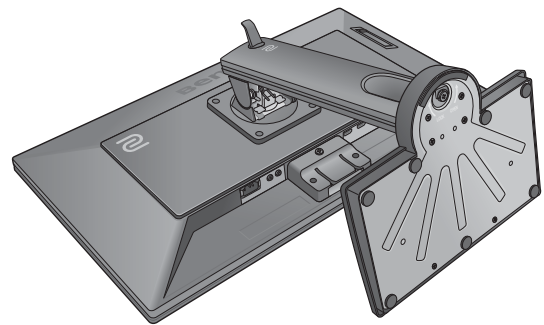
- Install your monitor and monitor mounting kit on a wall with flat surface.
- Ensure that the wall material and the standard wall mount bracket (purchased separately) are stable enough to support the weight of the monitor. Refer to the product specifications for weight information.
- Turn off the monitor and the power before disconnecting the cables from the LCD monitor.

1. Remove the monitor stand.

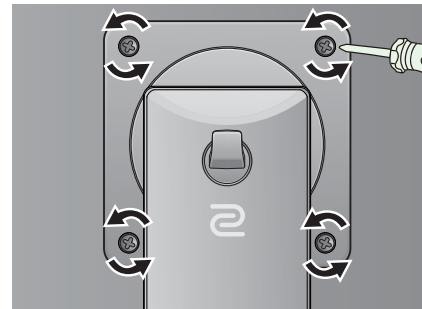
Lay the screen face down on a clean and well-padded surface.

Use a cross-pointed screwdriver to release the screws that fixing the monitor stand to the monitor. The use of a magnetic-head screwdriver is recommended to avoid losing the screws.

Then pull the monitor stand backward away from the monitor.



In case you intend to use your monitor on the stand in the future, please keep the monitor base, monitor stand, and screws somewhere safe for future use.



2. Follow the instruction manuals of the wall mount bracket you purchased to complete the installation.



Use four M4 x 10 mm screws to fix a VESA standard wall mount bracket to the monitor. Make sure that all screws are tightened and secured properly. Consult a professional technician or BenQ service for wall mount installation and safety precautions.

Getting the most from your BenQ monitor

To gain the most benefit from your new BenQ LCD monitor, you should install the custom BenQ LCD Monitor driver software as provided on the BenQ LCD Monitor CD-ROM.

The circumstances under which you connect and install your BenQ LCD Monitor will determine which process you need to follow to successfully install the BenQ LCD Monitor driver software. These circumstances relate to which version of Microsoft Windows you are using, and whether you are connecting the monitor and installing the software onto a new computer (without existing monitor driver software), or whether you are upgrading an existing installation (which already has existing monitor driver software) with a newer monitor.

In either case however, the very next time you turn on your computer (after connecting the monitor to your computer), Windows will automatically recognize the new (or different) hardware, and will launch its **Found New Hardware wizard**.

Follow the wizard instructions until it asks you to select a monitor model. At that point, click the **Have Disk** button, insert the BenQ LCD Monitor CD-ROM and select the appropriate monitor model. Further details and step-by-step instructions for either an automatic (new) or upgrade (existing) installation, see:

- [How to install the monitor on a new computer on page 29.](#)
- [How to upgrade the monitor on an existing computer on page 30.](#)



- If you require a User Name and Password to login to your Windows computer, you must be logged on as an Administrator or as a member of the Administrators group in order to install the monitor driver software. Furthermore, if your computer is connected to a network which has security access requirements, network policy settings may prevent you from installing software on your computer.
 - To check the name of the purchased model, refer to the specification label on the back of the monitor.
-

How to install the monitor on a new computer

This instruction details the procedure for selecting and installing the BenQ LCD Monitor driver software on a new computer which has never had a monitor driver installed before. This instruction is only suitable for a computer which has never been used before, and for which the BenQ LCD Monitor is the first ever monitor to be connected to it.



If you are adding the BenQ LCD Monitor to an existing computer that has already had another monitor connected to it (and has monitor driver software installed), you should not be following these instructions. You should instead be following the instructions for [How to upgrade the monitor on an existing computer](#).

1. Follow the instructions in [How to assemble your monitor hardware \(for models without height adjustment stand\) on page 12](#) or [Assembling your monitor with a height adjustment stand on page 20](#)

When Windows starts, it will automatically detect the new monitor and launch the **Found New Hardware Wizard**. Follow the prompts until it displays the option to **Install Hardware Device Drivers**.

2. Insert the BenQ LCD Monitor CD-ROM into a CD drive on the computer.
3. Check **Search for a suitable driver for my device** option, and click **Next**.
4. Check the option for CD-ROM drives (uncheck all others) and click **Next**.
5. Look to confirm that the wizard has selected the correct name of your monitor and click **Next**.
6. Click **Finish**.
7. Restart the computer.



To find the suitable driver files for the purchased model, refer to the following table.

| Driver files | Suitable models |
|--------------|------------------|
| RL2755 | RL2755HM |
| RL2755-Z | RL2755 / RL2755T |

How to upgrade the monitor on an existing computer

This instruction details the procedure for manually updating the existing monitor driver software on your Microsoft Windows computer. It is currently tested as compatible for Windows 10, Windows 8 (8.1), and Windows 7 Operating System (OS).



The BenQ LCD Monitor driver for your model may well function perfectly with other versions of Windows, however, as at the time of writing, BenQ has done no testing of this driver on other versions of Windows and cannot guarantee its operation on those systems.

Installing monitor driver software involves selecting an appropriate information file (.inf) on the BenQ LCD Monitor CD-ROM for the particular model monitor you have connected, and letting Windows install the corresponding driver files from the CD. You need only steer it in the right direction. Windows has an Upgrade Device Driver Wizard to automate the task and guide you through the file selection and installation process.

See:

- [How to install on Windows 10 system on page 31.](#)
- [How to install on Windows 8 \(8.1\) system on page 32.](#)
- [How to install on Windows 7 system on page 33.](#)

How to install on Windows 10 system

1. Open **Display Properties**.

Go to **Start, Settings, Devices, Devices and Printers** and right-click the name of your monitor from the menu.

2. Select **Properties** from the menu.

3. Click the **Hardware** tab.

4. Click **Generic PnP Monitor**, and then the **Properties** button.

5. Click the **Driver** tab and the **Update Driver** button.

6. Insert the BenQ LCD Monitor CD-ROM into a CD drive on the computer.

7. In the **Update Driver Software** window, select the option **Browse my computer for driver software**.

8. Click **Browse** and navigate to the following directory: d:\BenQ_LCD\Driver\ (where d is the drive letter designator for the CD-ROM drive).



The drive letter for your CD drive may differ from the example above depending upon your system - it may be 'D:' or 'E:' or 'F:' etc.

9. Select the correct folder name of your monitor from provided driver list, and click **Next**.

This will copy and install the appropriate monitor driver files to your computer.

10. Click **Close**.

You may be prompted to restart your computer after the driver update is complete.

How to install on Windows 8 (8.1) system

1. Open **Display Properties**.

Move the cursor to the lower-right of the screen or press the **Windows + C** buttons on the keyboard to bring up the **Charm** bar. Go to **Settings, Control Panel, Devices and Printers** and right-click the name of your monitor from the menu.

Alternatively, right-click the desktop and select **Personalize, Display, Devices and Printers**, and right-click the name of your monitor from the menu.

2. Select **Properties** from the menu.

3. Click the **Hardware** tab.

4. Click **Generic PnP Monitor**, and then the **Properties** button.

5. Click the **Driver** tab and the **Update Driver** button.

6. Insert the BenQ LCD Monitor CD-ROM into a CD drive on the computer.

7. In the **Update Driver Software** window, select the option **Browse my computer for driver software**.

8. Click **Browse** and navigate to the following directory: d:\BenQ_LCD\Driver\ (where d is the drive letter designator for the CD-ROM drive).



The drive letter for your CD drive may differ from the example above depending upon your system - it may be 'D:' or 'E:' or 'F:' etc.

9. Select the correct folder name of your monitor from provided driver list, and click **Next**.

This will copy and install the appropriate monitor driver files to your computer.

10. Click **Close**.

You may be prompted to restart your computer after the driver update is complete.

How to install on Windows 7 system

1. Open **Display Properties**.

Go to **Start, Control Panel, Hardware and Sound, Devices and Printers** and right-click the name of your monitor from the menu.

Alternatively, right-click the desktop and select **Personalize, Display, Devices and Printers**, and right-click the name of your monitor from the menu.

2. Select **Properties** from the menu.
3. Click the **Hardware** tab.
4. Click **Generic PnP Monitor**, and then the **Properties** button.
5. Click the **Driver** tab and the **Update Driver** button.
6. Insert the BenQ LCD Monitor CD-ROM into a CD drive on the computer.
7. In the **Update Driver Software** window, select the option **Browse my computer for driver software**.
8. Click **Browse** and navigate to the following directory: d:\BenQ_LCD\Driver\ (where d is the drive letter designator for the CD-ROM drive).

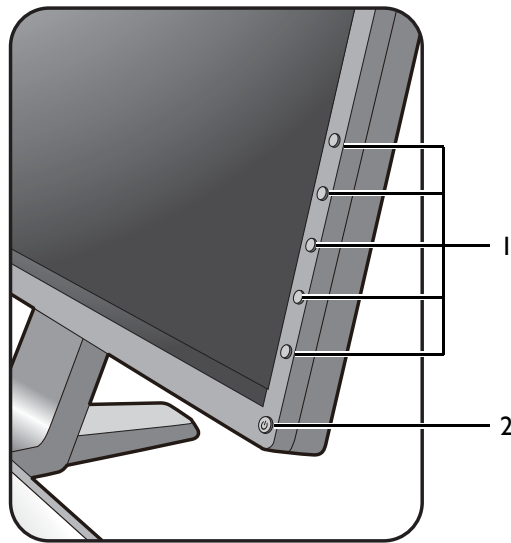


The drive letter for your CD drive may differ from the example above depending upon your system - it may be 'D:' or 'E:' or 'F:' etc.

9. Select the correct folder name of your monitor from provided driver list, and click **Next**.
This will copy and install the appropriate monitor driver files to your computer.
10. Click **Close**.
You may be prompted to restart your computer after the driver update is complete.

How to adjust your monitor

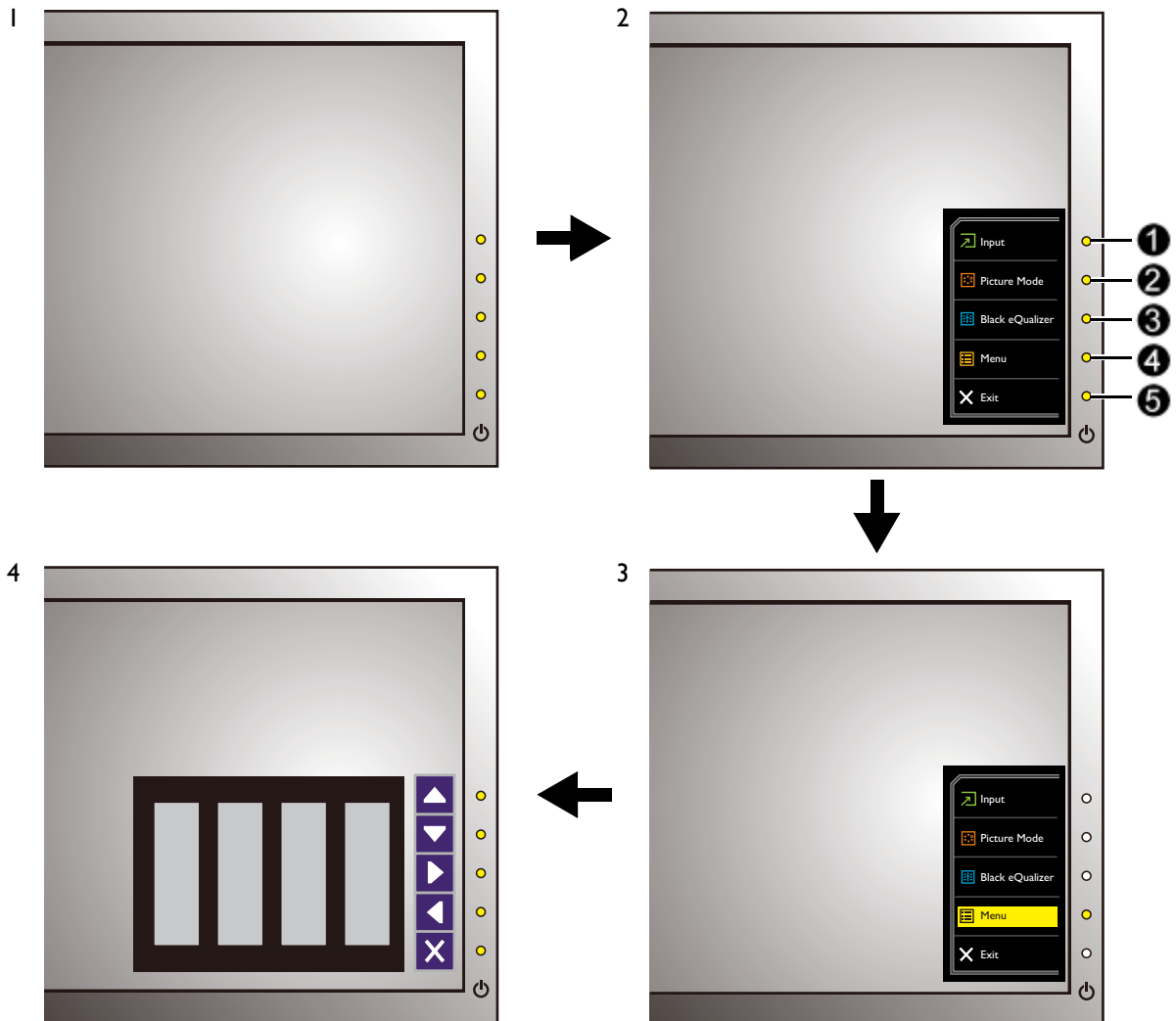
The control panel




| No. | Name | Description |
|-----|--------------|---|
| 1. | Control keys | Accesses the functions or menu items displayed on the screen, right next to each key. |
| 2. | Power key | Turns the power on or off. |






Basic menu operation

All OSD (On Screen Display) menus can be accessed by the control keys. You can use the OSD menu to adjust all the settings on your monitor.



1. Press any of the control keys.
2. The hot key menu is displayed. The top three controls are custom keys and are designated for particular functions.
3. Select **Menu** to access the main menu.
4. In the main menu, follow the icons next to the control keys to make adjustments or selection. See [Navigating the main menu on page 39](#) for details on the menu options.

| No. | OSD in hot key menu | OSD icon in main menu | Function |
|-----|---------------------|---|--|
| ① | Custom Key 1 |  | <ul style="list-style-type: none"> • By default, the key is the hot key for Input. To change the default settings, see Customizing the hot keys on page 37. • For Up/Increase adjustment. |

| No. | OSD in hot key menu | OSD icon in main menu | Function |
|-----|---------------------|---|---|
| ② | Custom Key 2 |  | <ul style="list-style-type: none"> • By default, the key is the hot key for Picture Mode. To change the default settings, see Customizing the hot keys on page 37. • For Down/Decrease adjustment. |
| ③ | Custom Key 3 |  /  | <ul style="list-style-type: none"> • By default, the key is the hot key for Black eQualizer. To change the default settings, see Customizing the hot keys on page 37. • Enters sub menus. • Selects menu items. |
| ④ | MENU |  | <ul style="list-style-type: none"> • Activates the main menu. • Returns to the previous menu. |
| ⑤ | Exit |  | Exits OSD menu. |



• OSD = On Screen Display.

The hot keys only operate while the main menu is not currently displaying. Hot key displays will disappear after a few seconds of no key activity.

• To unlock the OSD controls, press and hold any key for 10 seconds.

Picture optimization



The default picture mode is **FPS**, which is designed for FPS games. If you prefer other picture modes, go to **Picture Advanced** and change setting in **Picture Mode**.

The easiest way to obtain an optimal display from an analog (D-Sub) input is to use the **Auto Adjustment** function. Go to **Display** and **Auto Adjustment** to optimize the currently displayed image to the screen.



When you connect a digital video output using a digital (DVI or HDMI) cable to your monitor, the **Auto Adjustment** function will be disabled, because the monitor will automatically display the best image.



Please ensure that the connected graphic card on your computer is set to the native resolution of the monitor when you use the **Auto Adjustment** function.

If you wish, you can always adjust the screen geometric settings manually using geometry menu items. To assist you in this endeavour, BenQ has provided a screen test image utility which you can use to check for screen color, grayscale and line gradient display.

1. Run the test program auto.exe from CD-ROM. You could also use any other image, such as the desktop of your operating system. However, we recommend that you use auto.exe. As you run auto.exe, a test pattern displays.
2. Press any of the control keys to bring up the hot key menu. Select **Menu** to enter the main menu.
3. Go to **Display** and **Auto Adjustment**.
4. If you notice a vertical noise (like a curtain effect-shimmering of vertical lines), select **Pixel Clock** and adjust the monitor until the noise disappears.
5. If you notice a horizontal noise, select **Phase** and adjust the monitor until the noise disappears.

Customizing the hot keys

The top 3 control keys (also called custom keys) perform as hot keys to provide direct access to pre-defined functions. You can change the default setting and designate different functions for these keys.

1. Press any of the control keys to bring up the hot key menu, and press **Menu** to access the main menu.
2. Go to **System**.
3. Select the custom key you want to change.
4. In the sub menu, select a function that can be accessed by this key. A pop-up message will appear, showing that the setup is complete.

Setting up your own game mode

There are several preset picture modes on your monitor that are suitable for games. To better suit your needs, you can change and save the related display settings, and switch to your own game mode easily.

1. Adjust the related available display settings in different OSD menus.
2. After all settings are done, go to **Save Settings** and save as one of the game modes.

3. If you want to switch to your game mode at any time, go to **Picture Advanced** and **Picture Mode**, and select the game mode you saved in Step 2. Your preferred display settings will be applied all at once.

Adjusting display mode

To display images of aspect ratio other than 16:9 and size other than 27", you can adjust the display mode on the monitor.

1. Press any of the control keys to bring up the hot key menu, and press **Menu** to access the main menu.
2. Go to **Picture Advanced** and **Display Mode**.
3. Select an appropriate display mode. The setting will take effect immediately.



Switch to the desired display mode first, and follow the instructions in [Using Smart Scaling on page 38](#) to adjust the display size to precisely suit your needs.

Using Smart Scaling

You can resize your display by **Smart Scaling**.

1. Go to **Picture Advanced** and **Smart Scaling**.
2. Adjust the value.



- If one of the custom keys is preset for **Smart Scaling**, you can press the custom key and adjust the value directly.
 - Your display may become unstable temporarily when being resized. This is a normal phenomenon and should not be considered as manufacturing defect.
 - For more information on **Smart Scaling**, go to [Smart Scaling on page 47](#).
-

Navigating the main menu

You can use the OSD (On Screen Display) menu to adjust all the settings on your monitor. Press any of the control keys to bring up the hot key menu, and press **Menu** to access the main menu. See [Basic menu operation on page 35](#) for details.

Available menu options may vary depending on the input sources, functions and settings. Menu options that are not available will become grayed out. And keys that are not available will be disabled and the corresponding OSD icons will disappear. For models without certain functions, their settings and related items will not appear on the menu.



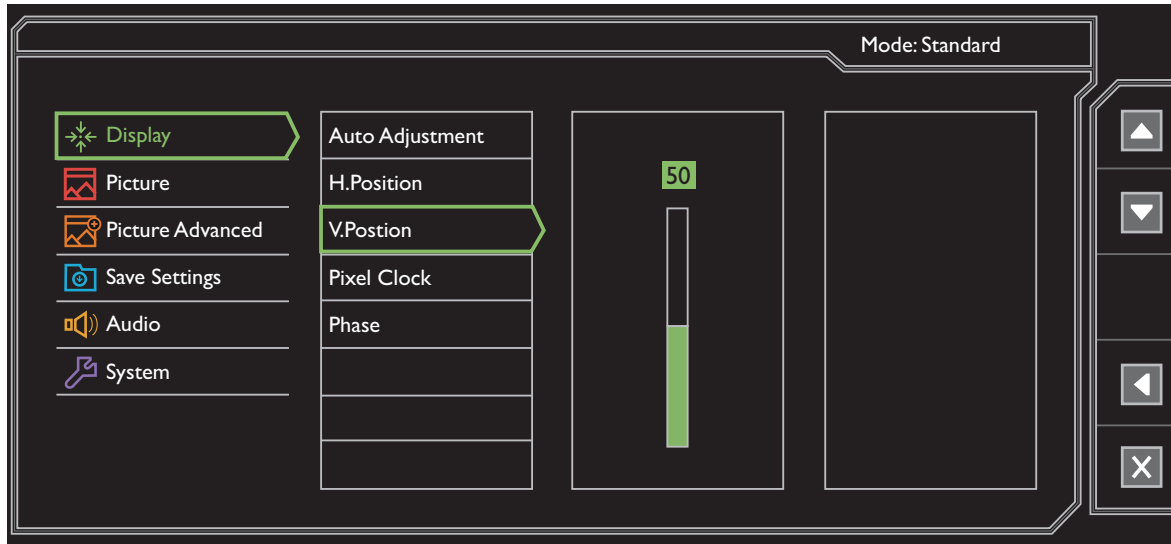
The OSD menu languages may differ from the product supplied to your region, see [Language on page 52](#) under **System** and **OSD Settings** for more details.

For more information on each menu, please refer to the following pages:

- [Display menu on page 40](#)
- [Picture menu on page 42](#)
- [Picture Advanced menu on page 45](#)
- [Save Settings menu on page 49](#)
- [Audio menu on page 50](#)
- [System menu on page 51](#)


Display menu

Available menu options may vary depending on the input sources, functions and settings. Menu options that are not available will become grayed out. And keys that are not available will be disabled and the corresponding OSD icons will disappear. For models without certain functions, their settings and related items will not appear on the menu.



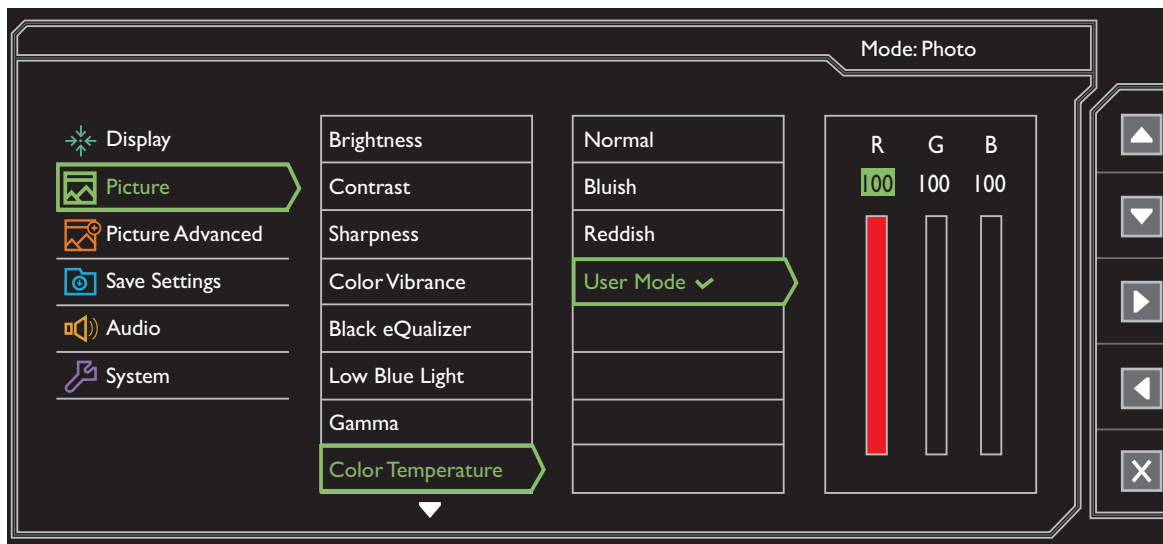
1. Select **Menu** from the hot key menu.
2. Use or to select **Display**.
3. Select to go to a sub menu, and then use or to select a menu item.
4. Use or to make adjustments, or use to make selection.
5. To return to the previous menu, select .
6. To exit the menu, select .











| Item | Function | Range |
|------------------------|---|----------|
| Auto Adjustment | Optimizes and adjusts the screen settings automatically for you. Not applicable to a digital input signal. | |
| H. Position | Adjusts the horizontal position of the screen image. | 0 to 100 |
| V. Position | Adjusts the vertical position of the screen image. | 0 to 100 |
| Pixel Clock | Adjusts the pixel clock frequency timing to synchronize with the analog input video signal. See also: Picture optimization on page 37 . Not applicable to a digital input signal. | 0 to 100 |

| Item | Function | Range |
|--------------|---|---------|
| Phase | Adjusts the pixel clock phase timing to synchronize with the analog input video signal. See also: Picture optimization on page 37 .  Not applicable to a digital input signal. | 0 to 63 |




Picture menu

Available menu options may vary depending on the input sources, functions and settings. Menu options that are not available will become grayed out. And keys that are not available will be disabled and the corresponding OSD icons will disappear. For models without certain functions, their settings and related items will not appear on the menu.



1. Select **Menu** from the hot key menu.
2. Use  or  to select **Picture**.
3. Select  to go to a sub menu, and then use  or  to select a menu item.
4. Use  or  to make adjustments, or use  to make selection.
5. To return to the previous menu, select .
6. To exit the menu, select .

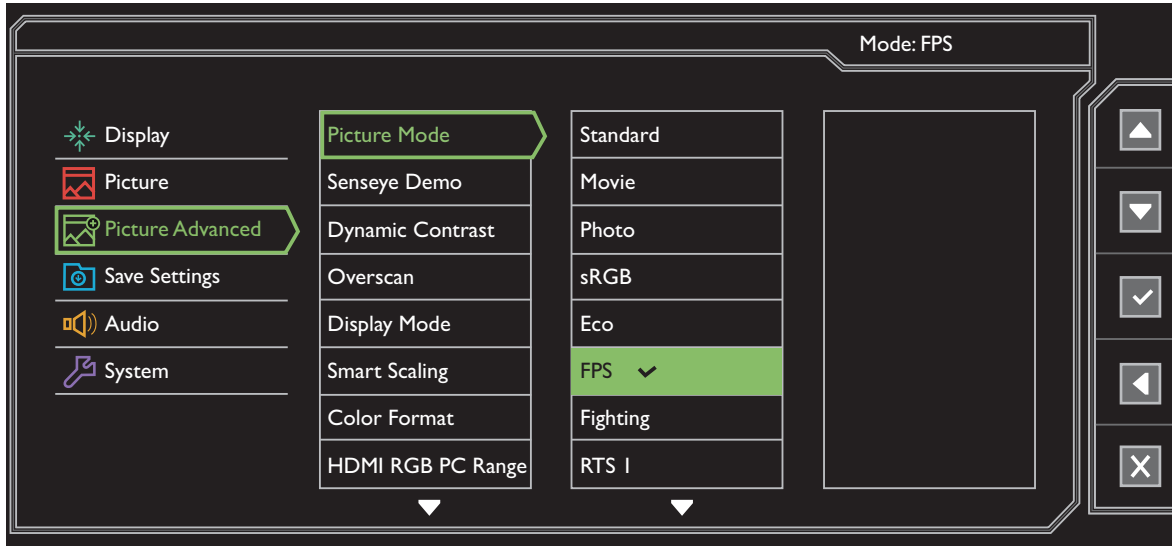
| Item | Function | Range |
|-----------------------|--|----------|
| Brightness | Adjusts the balance between light and dark shades. | 0 to 100 |
| Contrast | Adjusts the degree of difference between darkness and lightness. | 0 to 100 |
| Sharpness | Adjusts the clarity and visibility of the edges of the subjects in the image. | 1 to 10 |
| Color Vibrance | Provides different sets of color settings. Once applied, you can adjust some of the color settings in the corresponding menus. | 0 ~ 20 |











| Item | Function | | Range |
|--------------------------|--|--|--|
| Black eQualizer | Brings out the dark shades by increasing the brightness without changing those of the light shades. | | 0 ~ 20 |
| |  | If the image is too bright or barely contains any dark shades, adjusting the value of Black eQualizer may not show much change to the image. | |
| Low Blue Light | Decreases the blue light emitted from the display to reduce the risk of blue light exposure to your eyes. | | 0 ~ 10 |
| |  | The higher the value in this field, the greater the decrease in blue light. | |
| Gamma | Adjusts the tone luminance. The default value is 3 (the standard value for Windows). | | <ul style="list-style-type: none"> • Gamma 1 • Gamma 2 • Gamma 3 • Gamma 4 • Gamma 5 |
| Color Temperature | Normal | Allows video and still photographs to be viewed with natural coloring. This is the factory default color. | |
| | Bluish | Applies a cool tint to the image and is factory pre-set to the PC industry standard white color. | |
| | Reddish | Applies a warm tint to the image and is factory pre-set to the news print standard white color. | |
| | User Mode | <p>The blend of the Red, Green and Blue primary colors can be altered to change the color tint of the image. Go to the succeeding R (red), G (green), and B (blue) menus to change the settings.</p> <p>Decreasing one or more of the colors will reduce their respective influence on the color tint of the image. (e.g. if you reduce the Blue level the image will gradually take on a yellowish tint. If you reduce Green, the image will become a magenta tint.)</p> | <ul style="list-style-type: none"> • R (0~100) • G (0~100) • B (0~100) |
| Hue | Adjusts the degree of how we perceive colors. | | 0 ~ 100 |
| Instant Mode | Adjusts the image processing to diminish input lag. You can have a real-time experience while playing games. | | <ul style="list-style-type: none"> • ON • OFF |
| |  | To optimize the picture quality, disable Instant Mode if the source is interlaced video. To check the resolution of the video source, go to System and Information on the monitor. | |


| Item | Function | Range |
|--------------------|---|---|
| AMA | Improves the gray level response time of the LCD panel. | <ul style="list-style-type: none"> • Premium • High • OFF |
| Reset Color | Resets the custom color settings to the factory defaults. | <ul style="list-style-type: none"> • YES • NO |





Picture Advanced menu





Available menu options may vary depending on the input sources, functions and settings. Menu options that are not available will become grayed out. And keys that are not available will be disabled and the corresponding OSD icons will disappear. For models without certain functions, their settings and related items will not appear on the menu.



1. Select **Menu** from the hot key menu.
2. Use  or  to select **Picture Advanced**.
3. Select  to go to a sub menu, and then use  or  to select a menu item.
4. Use  or  to make adjustments, or use  to make selection.
5. To return to the previous menu, select .
6. To exit the menu, select .

| Item | Function | Range |
|---------------------|--|---|
| Picture Mode | Select a picture mode that best suits the type of images shown on the screen.  The default setting is FPS . Change the setting if needed. | |
| | Standard | For basic PC application. |
| | Movie | For viewing videos. |
| | Photo | For viewing still images. |
| | sRGB | For better color matching representation with the peripheral devices, such as printers, digital cameras, etc. |
| | Eco | For saving electricity with low power consumption by providing minimum brightness for all running programs. |

| Item | Function | | Range |
|-------------------------|--|---|---|
| | FPS | For playing FPS (First Person Shooting) games. | |
| | Fighting | For playing fighting games. | |
| | RTS 1 | For playing RTS (Real-time strategy) games. | |
| | RTS 2 | For playing DOTA2 games. | |
| | Gamer 1 | Applies customized display settings. | |
| | Gamer 2 |  For details on setting up a game mode, see Setting up your own game mode on page 37 . | |
| | Gamer 3 | | |
| Senseye Demo | Displays the preview of screen images under the selected mode from Picture Mode. The screen will be divided into two windows; the left window demonstrates images of Standard mode, while the right window presents the images under the specified mode. | | <ul style="list-style-type: none"> • ON • OFF |
| Dynamic Contrast | The function is to automatically detect the distribution of an input visual signal, and then to create the optimal contrast. | | 0 to 5 |
| Overscan | Slightly enlarges the input image. Use this feature to hide annoying edge noise if present around your image.  Available only when the input source is HDMI or D-Sub (VGA converted from Component). | | <ul style="list-style-type: none"> • ON • OFF |
| Display Mode | This feature is provided to allow aspect ratios other than 16:9 to be displayed without geometric distortion.  The options under Display Mode will be different depending on the input signal sources.  Depending on your selection of Picture Mode , different Display Mode option is pre-set. Change the setting if needed. | | |
| | Full | Scales the input image to fill the screen. Ideal for 16:9 aspect images. | |
| | Aspect | The input image is displayed without geometric distortion filling as much of the display as possible. | |
| | 1:1 | Displays the input image in its native resolution without scaling. | |
| | 17" (4:3) | Displays the input image as if on a 17" monitor of 4:3 aspect ratio. | |
| | 19" (4:3) | Displays the input image as if on a 19" monitor of 4:3 aspect ratio. | |
| | 19" (5:4) | Displays the input image as if on a 19" monitor of 5:4 aspect ratio. | |









| Item | Function | | Range |
|--------------------------|--|--|---|
| | 19"W (16:10) | Displays the input image as if on a 19"W monitor of 16:10 aspect ratio. | |
| | 21.5" (16:9) | Displays the input image as if on a 21.5" monitor of 16:9 aspect ratio. | |
| | 22"W (16:10) | Displays the input image as if on a 22"W monitor of 16:10 aspect ratio. | |
| | 23"W (16:9) | Displays the input image as if on a 23"W monitor of 16:9 aspect ratio. | |
| | 23.6"W (16:9) | Displays the input image as if on a 23.6"W monitor of 16:9 aspect ratio. | |
| | 24"W (16:9) | Displays the input image as if on a 24"W monitor of 16:9 aspect ratio. | |
| Smart Scaling | <p>Adjusts the display size to best suit your needs.</p> <p> Not available when the Display Mode is set to Full or Aspect. For other modes (except 1:1), each mode with its last scaling setting can be saved as quick access.</p> <p> If the Display Mode is 1:1 (and the resolution of the input source is lower than 1920 x 1080), the last 3 scaling settings (in different resolutions of the input source) will be saved for quick access.</p> | | 0 ~ 100 |
| Color Format | <p>Determines the color space (RGB or YUV) based on the detected video signal.</p> <p> You might need to manually set the Color Format if colors shown on the monitor screen do not display properly.</p> <p> If the input source is HDMI, color format is not selectable. In other words, Color Format is automatically set depending on the input video source.</p> | | |
| | RGB | <ul style="list-style-type: none"> • For D-Sub (VGA) input source from PC. • For DVI input source. | |
| | YUV | For D-Sub (Component converted from VGA) input source from a video device. | |
| HDMI RGB PC Range | Determines the range of color scales. Select an option that matches the RGB range setting on the connected HDMI device. | | <ul style="list-style-type: none"> • RGB (0 ~ 255) • RGB (16 ~ 235) |


| Item | Function | | Range |
|--------------------|---|--|--|
| Smart Focus | This feature provides a highlight area to focus on certain content, e.g. a YouTube video or an online game. | | |
| | Size | Determines the size of the highlight area. | <ul style="list-style-type: none"> • Small • Large • OFF |
| | H. Position | Adjusts the horizontal position of the highlight area. | 0 ~ 100 |
| | V. Position | Adjusts the vertical position of the highlight area. | 0 ~ 100 |
| | Scaling | Scales the highlight area. | 0 ~ 100 |

Save Settings menu

Available menu options may vary depending on the input sources, functions and settings. Menu options that are not available will become grayed out. And keys that are not available will be disabled and the corresponding OSD icons will disappear. For models without certain functions, their settings and related items will not appear on the menu.

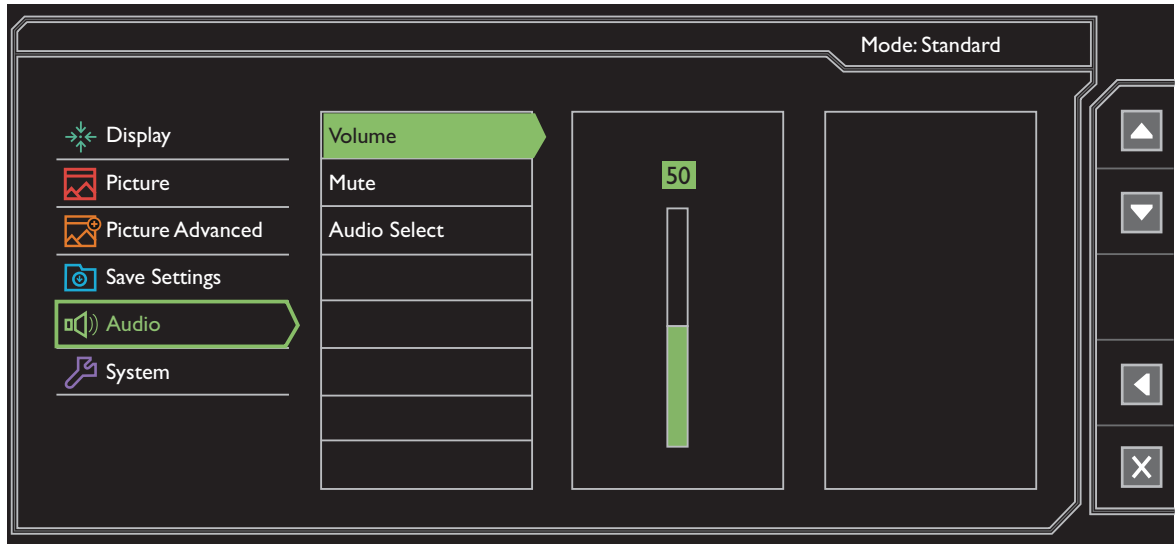












1. Select **Menu** from the hot key menu.
2. Use  or  to select **Save Settings**.
3. Select  to go to a sub menu, and then use  or  to select a menu item.
4. Use  to make selection.
5. To return to the previous menu, select .
6. To exit the menu, select .

| Item | Function | Range |
|----------------|---|-------|
| Gamer 1 |  See Setting up your own game mode on page 37 for information on applying the game mode. | - |
| Gamer 2 | | |
| Gamer 3 | | |

Audio menu

Available menu options may vary depending on the input sources, functions and settings. Menu options that are not available will become grayed out. And keys that are not available will be disabled and the corresponding OSD icons will disappear. For models without certain functions, their settings and related items will not appear on the menu.

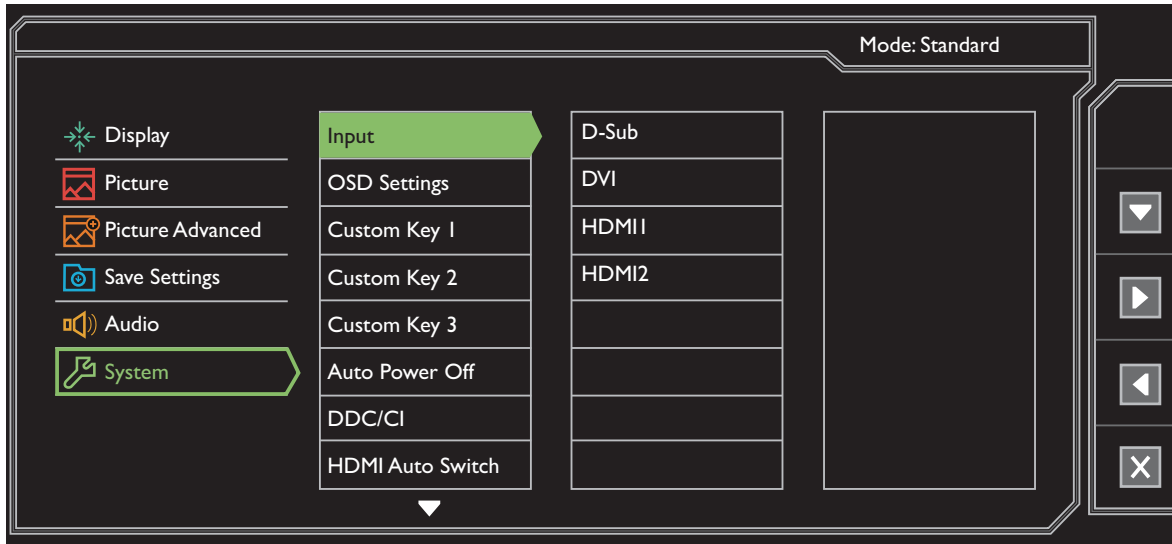












1. Select **Menu** from the hot key menu.
2. Use  or  to select **Audio**.
3. Select  to go to a sub menu, and then use  or  to select a menu item.
4. Use  or  to make adjustments, or use  to make selection.
5. To return to the previous menu, select .
6. To exit the menu, select .

| Item | Function | Range |
|--|--|---|
| Volume | Adjusts the audio volume. | 0 ~ 100 |
| Mute | Mutes the audio input. | <ul style="list-style-type: none"> • ON • OFF |
| Audio Select (for models with more than 2 audio sources) | Allow users to select the audio source or let the monitor detect it automatically. | <ul style="list-style-type: none"> • PC Audio • HDMI Audio • Auto Detect |



System menu


Available menu options may vary depending on the input sources, functions and settings. Menu options that are not available will become grayed out. And keys that are not available will be disabled and the corresponding OSD icons will disappear. For models without certain functions, their settings and related items will not appear on the menu.



1. Select **Menu** from the hot key menu.
2. Use  or  to select **System**.
3. Select  to go to a sub menu, and then use  or  to select a menu item.
4. Use  or  to make adjustments, or use  to make selection.
5. To return to the previous menu, select .
6. To exit the menu, select .

| Item | Function | Range |
|--------------|---|--|
| Input | Use this to change the input to that appropriate to your video cable connection type. | <ul style="list-style-type: none"> • D-Sub • DVI • HDMI1 • HDMI2 |

| Item | Function | | Range |
|---------------------|---------------------|--|---|
| OSD Settings | Language | Sets the OSD menu language.  The language options displayed on your OSD may differ from those shown on the right, depending on the product supplied in your region. | <ul style="list-style-type: none"> • English • Français • Deutsch • Italiano • Español • Polski • Český • Magyar • Serbo-croatia • Română • Nederlands • Русский • Svenska • Português • العربية • 日本語 • 한국어 • 繁體中文 • 简体中文 |
| | Display Time | Adjusts the display time of the OSD menu. | <ul style="list-style-type: none"> • 5 Sec. • 10 Sec. • 15 Sec. • 20 Sec. • 25 Sec. • 30 Sec. |
| | OSD Lock | Prevents all the monitor settings from being accidentally changed. When this function is activated, the OSD controls and hotkey operations will be disabled.  To unlock the OSD controls, press and hold any key for 10 seconds. | |

| Item | Function | Range |
|--------------------------|--|--|
| Custom Key 1 | Sets the function to be accessed by custom key 1. | <ul style="list-style-type: none"> • Picture mode • Display Mode • Smart Scaling • Brightness • Contrast • Smart Focus • Volume • Mute • Input • Black eQualizer • Low Blue Light • Color Vibrance |
| Custom Key 2 | Sets the function to be accessed by custom key 2. | |
| Custom Key 3 | Sets the function to be accessed by custom key 3. | |
| Auto Power Off | Sets the time to power off the monitor automatically in power saving mode. | <ul style="list-style-type: none"> • OFF • 10min. • 20min. • 30min. |
| DDC/CI | <p>Allows the monitor settings to be set through the software on the PC.</p> <p> DDC/CI, short for Display Data Channel/Command Interface, which was developed by Video Electronics Standards Association (VESA). DDC/CI capability allows monitor controls to be sent via the software for remote diagnostics.</p> | <ul style="list-style-type: none"> • ON • OFF |
| HDMI Auto Switch | When this function is activated, HDMI port will be in the input auto select loop. Otherwise, HDMI can only be selected by input select or by hot key. | <ul style="list-style-type: none"> • ON • OFF |
| Resolution Notice | Sets whether to display the resolution notice of the recommended resolution when a new input source is detected by the monitor. | <ul style="list-style-type: none"> • ON • OFF |
| Information | Displays the current monitor property settings. | <ul style="list-style-type: none"> • Input • Current Resolution • Optimum Resolution (best with the monitor) • Model Name |
| Reset All | Resets all mode, color and geometry settings to the factory default values. | <ul style="list-style-type: none"> • YES • NO |

Troubleshooting

Frequently asked questions (FAQ)

Imaging

? The image has a faulty coloration.

- ✓ • The default **Picture Mode** is **FPS**, which is designed for FPS games. If you prefer other picture modes, go to **Picture** and change setting in **Picture Mode**.
- If the image has a yellow, blue or pink appearance, go to **Picture** and **Reset Color**, and then choose **YES** to reset the color settings to the factory defaults.

If the image is still not correct and the OSD also has faulty coloration, this means one of the three primary colors is missing in the signal input. Now check the signal cable connectors. If any pin is bent or broken off, please contact your dealer to get necessary support.

? The image is blurred.

- ✓ • Read the instructions on the link "**Adjusting the Screen Resolution**" on the CD, and then select the correct resolution, refresh rate and make adjustments based on these instructions.
- If a VGA extension cable is used, remove the extension cable for the test. Is the image now in focus? If not, optimize the image by working through the instructions in the "**Adjusting the refresh rate**" section on the link "**Adjusting the Screen Resolution**". It is normal for blurring to occur due to conduction losses in extension cables. You can minimize these losses by using an extension cable with better conduction quality or with a built-in booster.

? Does the blurring only occur at resolutions lower than the native (maximum) resolution?

- ✓ Read the instructions on the link "**Adjusting the Screen Resolution**" on the CD. Select the native resolution.







? Pixel errors can be seen.



One of several pixels is permanently black, one or more pixels are permanently white, one or more pixels are permanently red, green, blue or another color.

- ✓ • Clean the LCD screen.
- Cycle power on-off.
- These are pixels that are permanently on or off and is a natural defect that occurs in LCD technology.



? The image is distorted, flashes or flickers.

- ✓ Read the instructions on the link "**Adjusting the Screen Resolution**" on the CD, and then select the correct resolution, refresh rate and make adjustments based on these instructions.



-  You are running the monitor at its native resolution, but the image is still distorted.
-  Images from different input sources may appear distorted or stretched on the monitor running at its native resolution. To have the optimal display performance of each type of input sources, you can use the **Display Mode** function to set a proper aspect ratio for the input sources. See [Display Mode on page 46](#) for details.
-  The image is displaced in one direction.
-  Read the instructions on the link "**Adjusting the Screen Resolution**" on the CD, and then select the correct resolution, refresh rate and make adjustments based on these instructions.
-  Faint shadow from the static image displayed is visible on the screen.
-  • Activate the power management function to let your computer and monitor go into a low power "sleep" mode when not actively in use.

• Use a screensaver to prevent the occurrence of image retention.
-  What is the difference between **Picture Mode of FPS, RTS 1 and RTS 2?**
-  Your gaming monitor offers picture modes that best suit specific types of games. **FPS** is designed for FPS (First Person Shooting) games. **RTS 1** is for RTS (Real-time strategy) games. **RTS 2** is also for RTS games, especially for DOTA2 games.



Power LED indicator

-  The LED indicator is green or orange.
-  • If the LED lights up in solid green, the monitor is powered on.
- If the LED is illuminated in green and there is a message **Out of Range** on the screen, this means you are using a display mode that this monitor does not support, please change the setting to one of the supported mode. Please read the "**Preset display modes**" section from the link "**Adjusting the Screen Resolution**".
- If the LED is illuminated in orange, the power management mode is active. Press any button on the computer keyboard or move the mouse. If that does not help, check the signal cable connectors. If any pin is bent or broken off, please contact your dealer to get necessary support.
- If the LED is off, check the power supply mains socket, the external power supply and the mains switch.





OSD controls

-  The OSD controls are inaccessible.
-  To unlock the OSD controls when it is preset to be locked, press and hold any key for 10 seconds.

OSD messages

-  A message **Out of Range** on the screen during computer boot up process.
-  If there is a message **Out of Range** on the screen during computer boot up process, this means computer compatibility caused by operating system or graphic card. The system will adjust the refresh rate automatically. Just wait until the operating system is launched.

Audio

-  No sound can be heard from the built-in speakers.
- 
 - Check whether Line In is properly connected.
 - Increase the volume (volume may be muted or too low).
 - Remove your headphone and/or external speakers. (If they are connected to the monitor, the built-in speakers are automatically muted.)
-  No sound can be heard from the connected external speakers.
- 
 - Remove your headphone (if the headphone is connected to the monitor).
 - Check whether the headphone jack is properly connected.
 - If the external speakers are USB-powered, check whether the USB connection is OK.
 - Increase the volume (volume may be muted or too low) on the external speakers.

Need more help?

If your problems remain after checking this manual, please contact your place of purchase or visit the local website from www.BenQ.com for more support and local customer service.