

▶ **55SL5B**

55" class (54.6" diagonal)

▶ **49SL5B**

49" class (48.5" diagonal)

▶ **43SL5B**

43" class (42.5" diagonal)

▶ **32SL5B**

32" class (31.5" diagonal)



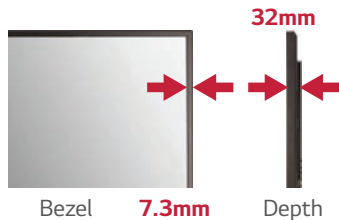
With its narrow even bezel, LG SL5B enables you to create landscape or portrait walls in multiple installation scenes. It is enhanced in reliability and maintenance by protecting the circuit board from dust, iron fillings and humidity, and by detecting screen failures with SuperSign™ Software. Supporting convenient content management, this series are suitable for installation environments such as airport, retail and multiplex etc.

## KEY FEATURES



### SLIM DESIGN | NARROW BEZEL

LG's monitors featuring a Direct-LED Backlight, have a stylishly slim design that fit perfectly into narrow spaces while ensuring high energy efficiency. The slim bezels are a perfect fit in confined areas and are easy to install.



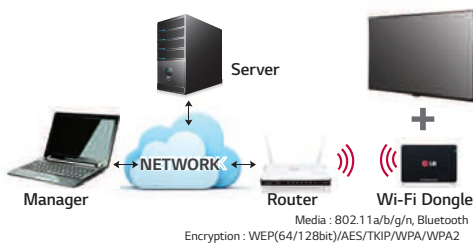
### DETACHABLE LOGO

The detachable logo can be removed and repositioned to the desired setting. Perfect when using in Portrait Mode.



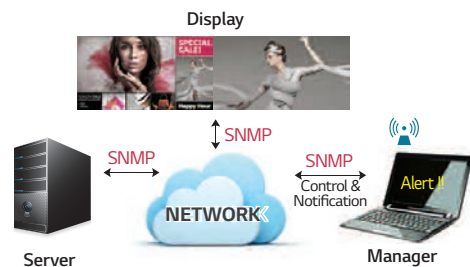
### WI-FI SUPPORT

SL5B Series support Wi-Fi USB dongle connection for convenient content distribution.



### SIMPLE NETWORK MANAGEMENT PROTOCOL

SNMP support ensures convenient network management.





Run messages on up to 50 display screens in the form of a billboard without any additional hardware. Advertisements, information and broadcast content can be arranged on the same screen to attract attention and deliver specific messaging to your customer base.

**LG SuperSign Lite Usage Example**  
Different layout and designs available.



**USB CONTENT SCHEDULING**

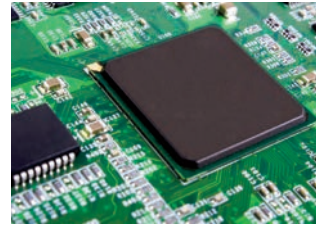
Play and schedule contents with a USB connection-no server connection required.



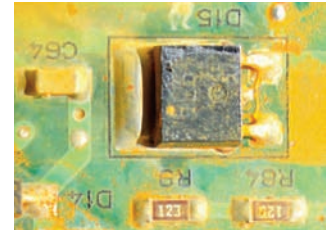
\*Supported Content Type : Video (MPEG1/2/4, H.264), Audio(MP3, AC3, MPEG, AAC, HEAAC, LPCM), Image(JPEG, PNG, BMP)

**CONFORMAL COATING**

Conformal coating helps protect against water, dust and iron powder deposits which accumulate in harsh environments, saving on expensive installation and added enclosure costs.



With Conformal Coating



Without Conformal Coating

**CABLE MANAGEMENT & BUILT-IN RECEIVER**

The well-organized cable terminals optimize available space and the built-in receiver has detachable features that can adjust to any environment.



**SCHEDULED SCREEN WASH**

Prevent residual images with the screen transition feature..



\*\* Installation Menu > ISM Method

**ASPECT RATIO SUSTAINABILITY**

Sustain the same resolution and picture quality while powering on/off by receiving EDID<sup>1)</sup> through switch IC.



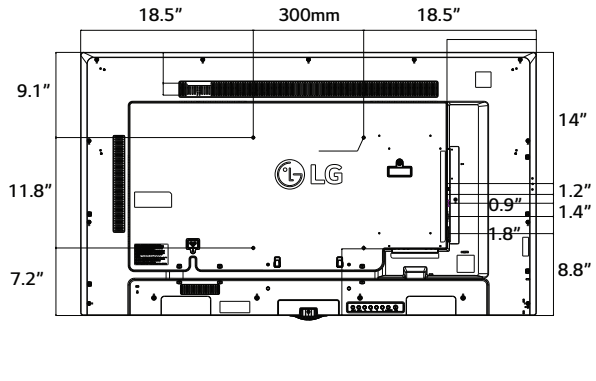
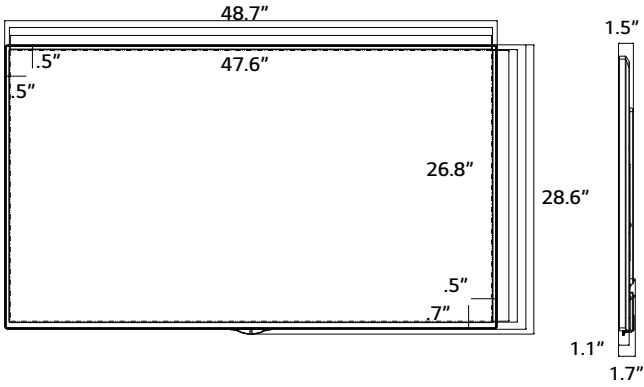
1) Extended Display Identification Data.  
\* Installation Menu > LG Digital Signage > PM Mode

**STAND-BY SCREEN\***

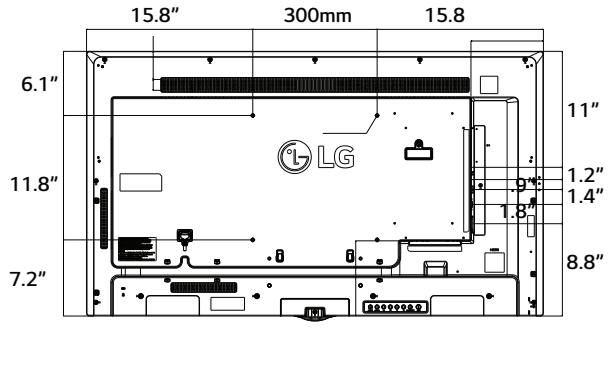
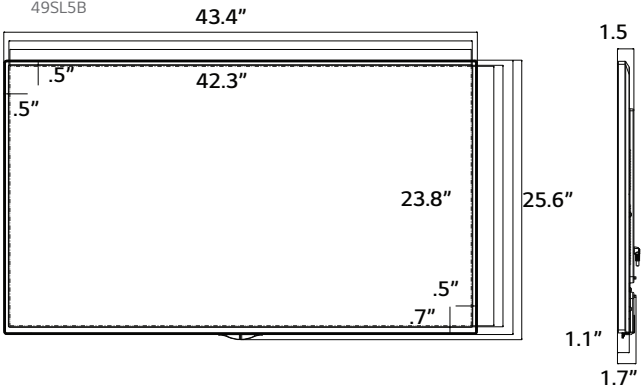
Even without signal from the media player, the network does not turn off completely, so remote control is possible, which prevents unnecessary power usage and enables efficient management.



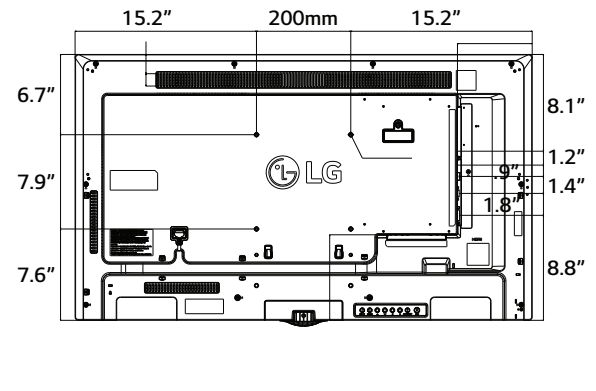
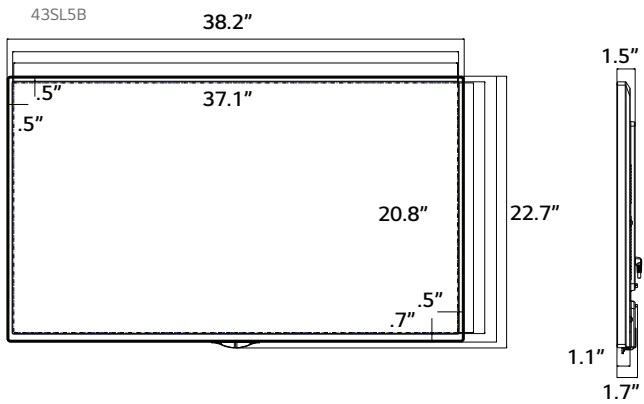
55SL5B



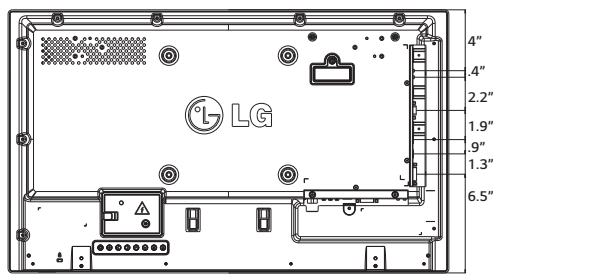
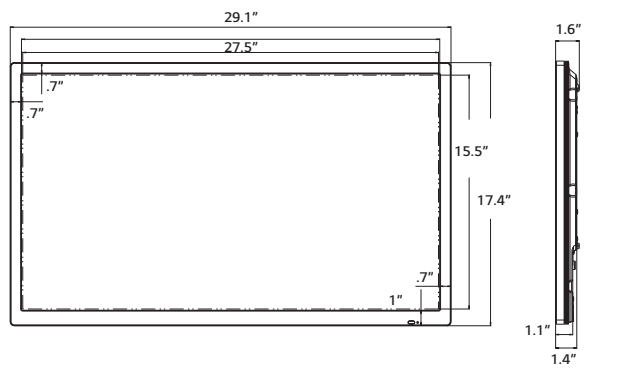
49SL5B



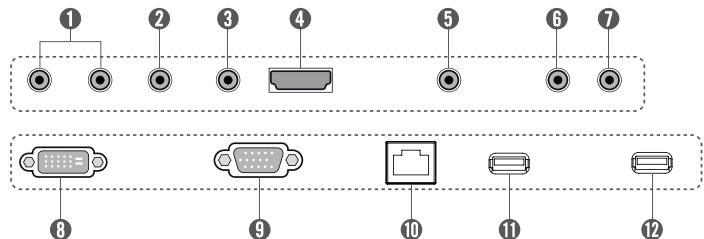
43SL5B



32SL5B



- ① SPEAKER OUT
- ② RS-232C IN
- ③ RS-232C OUT
- ④ HDMI
- ⑤ EXT IR IN
- ⑥ AUDIO IN
- ⑦ AUDIO OUT
- ⑧ DVI-D IN
- ⑨ RGB IN
- ⑩ LAN
- ⑪ USB1
- ⑫ USB2



# SL5B

## Standard Essential

▶ **55SL5B**  
55" class (54.6" diagonal)

▶ **43SL5B**  
43" class (42.5" diagonal)

▶ **49SL5B**  
49" class (48.5" diagonal)

▶ **32SL5B**  
32" class (31.5" diagonal)

PANEL	Model name	55SL5B	49SL5B	43SL5B	32SL5B
Screen Size		55" class (54.64" diagonal)	49" class (48.50" diagonal)	43" class (42.5" diagonal)	32" class (31.5" diagonal)
Panel Technology		IPS			
Aspect Ratio		16:9			
Native Resolution		1920 x 1080 (FHD)			
Pixels (H x V x 3)		6,220,800			
Brightness		450cd/m <sup>2</sup>			
Contrast Ratio		1,100:1			1,300:1
Dynamic CR		500,000:1			
Color Gamut		68%			
Viewing Angle (H x V)		178 x 178			
Color Depth		16.7 Million			
Response Time		12ms(G to G BW)		10ms(G to G BW)	
Surface Treatment		Hard Coating (3H), Anti-glare treatment of the front polarizer (Haze 1% (Typ.))			
Lifetime (Typ.)		50,000 Hrs			
Operation Hours		18Hr		24Hr	
Orientation		Portrait & Landscape			
HDMI		Yes (1)			
DP		No	Yes (1)		
DVI		Yes (1)			
Analog		Yes (1)			
Audio		Yes (1)			
RS232C		Yes (1)			
RJ45		Yes (1)			
IR Receiver		Yes (1)			No (Internal IR)
Pixel Sensor		No	Yes (1)		
USB		Yes (2)			
HDTV Formats		HDMI: 720p, 1080i, 1080p			
DVI		No	Yes (1)		
Audio		Yes			
External Speaker Out		Yes (L/R)			
RS232C		Yes (1)			
Temperature Sensor		Yes			
Tile Mode		Yes (Up to 15x15)			
Natural Mode @ Tile Mode		Yes			
Source Selection		RGB, HDMI, DVI, USB1, USB2			
Brightness/Contrast/Backlight		Yes			
Position/Size		Yes			
Auto Config/Phase		Yes			
Language (OSD)		English, French, German, Spanish, Italian, Korean, Chinese (Simplified), Chinese (Original), Portuguese (Brazil), Swedish, Finnish, Norwegian, Danish, Russian, Portuguese (Europe), Dutch, Czech, Greek			
ISM Method		Normal, White Wash, Color Wash, Orbiter, inversion, Washing Bar, User image			
Advanced		Dynamic Contrast, Dynamic Color, Color Gamut, Skin Color, Sky Color, Grass color, Gamma			
Time		Clock, On/Off Time, Auto Off, Automatic Standby			
Input Label		Yes (PC/DTV)			
Power on Status		Standard, PWR, LST			
Key Operation		IR operation, Local key operation			
DPM Select		Yes			
DPM Wake Up		Yes			
Energy Saving		Yes (Minimum, Medium, Maxium, Screen Off)			
Smart Energy Saving		Yes			
Power Indicator On/Off		No	Yes		
File Play with USB		Yes			
Wi-Fi		Dongle Ready			
USB Cloning		Logo image download, EzDownload, Sent to USB, Receive from USB			
Easy Brightness Control		Yes			No
Contents Scheduling		USB			
Calibration Mode		Yes			
DST		Yes			
Screen Off Schedule		Yes			
Time Sync Clock		Yes			
PM Mode		Yes			
Holiday Schedule		Yes			

SPECIAL FEATURES	Model name	55SL5B	49SL5B	43SL5B	32SL5B
Holiday Schedule			Yes		
Firmware Update (LAN)			Yes		
Local time Auto Setting			Yes		
Overlay Touch			Yes		
Still Image			Yes		
HDMI-CEC			Yes		
Limited Mode		Input Source Change, Menu Display, OSD Display			
Power on Default		Input Source, A/V Setting, Aspect Ratio			
Wake on LAN			Yes		
Digital Audio Input			Yes		
Power on Delay			0 - 255		
Pivot Mode			Yes		
OSD Portrait Mode			0,90,270		
Intelligent Auto			Yes		
Password Change			Yes		
SetID Setup			Manual, Auto		
Configuration Setup		Splash Upset Time, USB Auto Playback, Screen Saver Cube			
Lock Mode		USB			
Fail Over		USB, RGB, DVI, HDMI			
SuperSign Server Setup		Player Name, Server IP Setting, Server IP Status			
No Signal Image (Up to 5MB)			Yes		
ENVIRONMENT CONDITIONS	Operation Temperature	32°F to 104°F			
Operation Humidity		10 % to 80 %			
POWER	Power Supply	100-240V~, 50/60Hz			
Power Type		Built-In Power			
POWER CONSUMPTION	Typical	85W	75W	65W	
Smart Energy Saving		60W	55W	50W	42W
DPM		0.7W			
Power Off		0.5W			
Balance		Yes			
Audio Power		20W(10W x 2) for External Speaker			
Speaker On/Off		Yes			
Clear Voice II		Yes			
Virtual Surround		Yes			
Equalizer		Yes			
Sound Mode		Standard, News, Music, Cinema, Sport, Game			
CERTIFICATION	Safety	UL / cUL / CB / TUV / KC / FCC Class "A" / CE / KCC / Yes / Yes (ENERGY STAR® 6.0)			
MEDIA PLAYER COMPATIBILITY	OPS Type Compatible		No	Yes	
External Media Player		Yes (MP500/MP700)			No
SOFTWARE COMPATIBILITY	SuperSign-w lite	Yes	Yes	Yes	Yes
SuperSign-c		Yes	Yes	Yes	Yes
CABINET	Bezel Color	Black			
Bezel Width		11.9mm (T/R/L), 18mm (B)			R/L/T 18.9mm, B 26mm
WxHxD		48.7"x28.2"x1.5"	43.4"x25.1"x1.5"	38.2"x22.2"x1.5"	29.2"x17.4"x1.4"
Weight		38.1lbs	31lbs	21.6lbs	17.6lbs
w/Optional Stand (WxHxD)		48.7" x 30.4" x 8.6"	43.4" x 27.4" x 8.6"	38.2" x 24.5" x 7.6"	29.15" x 19.6" x 11.9"
w/Optional Stand Weight		45.4lbs	38.4lbs	27.1lbs	19.4lbs
w/Optional Stand & Speakers (WxHxD)		48.7"x30.5"x8.7"	43.4"x27.4"x8.7"	38.2"x24.5"x7.6"	29.2"x19.6"x11.9"
w/Optional Stand & Speakers Weight		46.52lbs	39.46lbs	28.22lbs	21.16lbs
Carton (WxHxD)		52.4"x31.8"x6.7"	47.1"x29.9"x6.5"	41.4"x25.6"x4.8"	33.5"x23.0"x4.8"
Carton Weight		47.4lbs	37.9lbs	27.3lbs	21.8lbs
VESA™ Compatible		300 x 300mm		200 x 200mm	
ACCESSORIES	Basic	Remote Controller (includes 2 batteries), Power Cord, QSG, RGB Cable, Regulation Book, Phone to RS232C Gender, IR Receiver			
OTHER	UPC	7 19192 19670 4	7 19192 19669 8	7 19192 19668 1	7 19192 19667 4
WARRANTY		3-Year Limited Warranty Parts/Labor/Backlight   Extended warranty options are also available			



LG Electronics U.S.A., Inc.  
HE B2B Division  
2000 Millbrook Drive  
Lincolnshire, IL 60069

Customer Service: 888.865.3026  
www.LGsolutions.com/support

Contact your LG Regional Sales Representative:  
Channel: 800.897.8871  
Hospitality: 800.228.1236  
E-mail: info@LGsolutions.com

LG\_SPEC\_SL5B\_071520\_PR



All screen images are simulated. Dimensions and weights are approximate. Design, specifications, and features subject to change without notice.

© Copyright 2015 LG Electronics USA, Inc. All Rights Reserved. "LG Life's Good" is a registered trademark of LG Corp.

ENERGY STAR is a registered trademark of the U.S. Environmental Protection Agency. In Plane Switching is a trademark of LG Philips LCD Ltd. VESA is a trademark of Video Electronics Standards Association. HDMI, the HDMI logo and High-Definition Multimedia Interface are trademarks or registered trademarks of HDMI Licensing LLC.

All other product and brand names are trademarks or registered trademarks of their respective companies.

Printed in the USA. August 2015