

Intel® Server System P4000RP Family Service Guide

**A Guide for Technically Qualified Assemblers of Intel® identified
Subassemblies/Products**

Order Number: G89704-001

Disclaimer

Disclaimer

INFORMATION IN THIS DOCUMENT IS PROVIDED IN CONNECTION WITH INTEL PRODUCTS. NO LICENSE, EXPRESS OR IMPLIED, BY ESTOPPEL OR OTHERWISE, TO ANY INTELLECTUAL PROPERTY RIGHTS IS GRANTED BY THIS DOCUMENT. EXCEPT AS PROVIDED IN INTEL'S TERMS AND CONDITIONS OF SALE FOR SUCH PRODUCTS, INTEL ASSUMES NO LIABILITY WHATSOEVER AND INTEL DISCLAIMS ANY EXPRESS OR IMPLIED WARRANTY, RELATING TO SALE AND/OR USE OF INTEL PRODUCTS INCLUDING LIABILITY OR WARRANTIES RELATING TO FITNESS FOR A PARTICULAR PURPOSE, MERCHANTABILITY, OR INFRINGEMENT OF ANY PATENT, COPYRIGHT OR OTHER INTELLECTUAL PROPERTY RIGHT.

A "Mission Critical Application" is any application in which failure of the Intel Product could result, directly or indirectly, in personal injury or death. SHOULD YOU PURCHASE OR USE INTEL'S PRODUCTS FOR ANY SUCH MISSION CRITICAL APPLICATION, YOU SHALL INDEMNIFY AND HOLD INTEL AND ITS SUBSIDIARIES, SUBCONTRACTORS AND AFFILIATES, AND THE DIRECTORS, OFFICERS, AND EMPLOYEES OF EACH, HARMLESS AGAINST ALL CLAIMS COSTS, DAMAGES, AND EXPENSES AND REASONABLE ATTORNEYS' FEES ARISING OUT OF, DIRECTLY OR INDIRECTLY, ANY CLAIM OF PRODUCT LIABILITY, PERSONAL INJURY, OR DEATH ARISING IN ANY WAY OUT OF SUCH MISSION CRITICAL APPLICATION, WHETHER OR NOT INTEL OR ITS SUBCONTRACTOR WAS NEGLIGENT IN THE DESIGN, MANUFACTURE, OR WARNING OF THE INTEL PRODUCT OR ANY OF ITS PARTS.

Intel may make changes to specifications and product descriptions at any time, without notice. Designers must not rely on the absence or characteristics of any features or instructions marked "reserved" or "undefined". Intel reserves these for future definition and shall have no responsibility whatsoever for conflicts or incompatibilities arising from future changes to them. The information here is subject to change without notice. Do not finalize a design with this information.

The products described in this document may contain design defects or errors known as errata which may cause the product to deviate from published specifications. Current characterized errata are available on request.

Contact your local Intel sales office or your distributor to obtain the latest specifications and before placing your product order.

Copies of documents which have an order number and are referenced in this document, or other Intel literature, may be obtained by calling 1-800-548-4725, or go to: <http://www.intel.com/design/literature>.

Safety Information

Important Safety Instructions

Read all caution and safety statements in this document before performing any of the instructions. See also Intel® Server Boards and Server Chassis Safety Information on the Intel® Server Deployment Toolkit DVD and/or at <http://www.intel.com/support/motherboards/server/sb/cs-010770.htm>.

Wichtige Sicherheitshinweise

Lesen Sie zunächst sämtliche Warnung und Sicherheitshinweise in diesem Dokument, bevor Sie eine der Anweisungen ausführen. Beachten Sie hierzu auch die Sicherheitshinweise zu Intel® Serverplatinen und Servergehäusen auf der Intel® Server Deployment Toolkit DVD oder unter <http://www.intel.com/support/motherboards/server/sb/cs-010770.htm>.

Consignes de sécurité

Lisez attention toutes les consignes de sécurité et les mises en garde indiquées dans ce document avant de suivre toute instruction. Consultez Intel® Server Boards and Server Chassis Safety Information sur le Intel® Server Deployment Toolkit DVD ou bien rendez-vous sur le site <http://www.intel.com/support/motherboards/server/sb/cs-010770.htm>.

Instrucciones de seguridad importantes

Lea todas las declaraciones de seguridad y precaución de este documento antes de realizar cualquiera de las instrucciones. Vea Intel® Server Boards and Server Chassis Safety Information en el Intel® Server Deployment Toolkit DVD y/o en <http://www.intel.com/support/motherboards/server/sb/cs-010770.htm>.

重要安全指导

在执行任何指令之前，请阅读本文档中的所有注意事项及安全声明。和/或 <http://www.intel.com/support/motherboards/server/sb/cs-010770.htm> 上的 *Intel® Server Boards and Server Chassis Safety Information*（《Intel® 服务器主板与服务器机箱安全信息》）。

Warnings

Heed safety instructions: Before working with your server product, whether you are using this guide or any other resource as a reference, pay close attention to the safety instructions. You must adhere to the assembly instructions in this guide to ensure and maintain compliance with existing product certifications and approvals. Use only the described, regulated components specified in this guide. Use of other products/components will void the UL listing and other regulatory approvals of the product and will most likely result in noncompliance with product regulations in the region(s) in which the product is sold.

System power on/off: The power button DOES NOT turn off the system AC power. To remove power from the system, you must unplug the AC power cord from the wall outlet. Make sure the AC power cord is unplugged before you open the chassis, add, or remove any components.

Hazardous conditions, devices and cables: Hazardous electrical conditions may be present on power, telephone, and communication cables. Turn off the server and disconnect the power cord, telecommunications systems, networks, and modems attached to the server before opening it. Otherwise, personal injury or equipment damage can result.

Electrostatic discharge (ESD) and ESD protection: ESD can damage disk drives, boards, and other parts. We recommend that you perform all procedures in this chapter only at an ESD workstation. If one is not available, provide some ESD protection by wearing an antistatic wrist strap attached to chassis ground—any unpainted metal surface—on your server when handling parts.

ESD and handling boards: Always handle boards carefully. They can be extremely sensitive to ESD. Hold boards only by their edges. After removing a board from its protective wrapper or from the server, place the board component side up on a grounded, static free surface. Use a conductive foam pad if available but not the board wrapper. Do not slide board over any surface.

Installing or removing jumpers: A jumper is a small plastic encased conductor that slips over two jumper pins. Some jumpers have a small tab on top that you can grip with your fingertips or with a pair of fine needle nosed pliers. If your jumpers do not have such a tab, take care when using needle nosed pliers to remove or install a jumper; grip the narrow sides of the jumper with the pliers, never the wide sides. Gripping the wide sides can damage the contacts inside the jumper, causing intermittent problems with the function controlled by that jumper. Take care to grip with, but not squeeze, the pliers or other tool you use to remove a jumper, or you may bend or break the pins on the board.

Preface

About this Manual

Thank you for purchasing and using the Intel® Server Chassis P4000RP family products.

This manual is written for system technicians who are responsible for troubleshooting, upgrading, and repairing this server chassis. This document provides a brief overview of the features of the board/chassis, a list of accessories or other components you may need, troubleshooting information, and instructions on how to add and replace components on the Intel® Server Chassis P4000RP family. For the latest version of this manual, refer to <http://www.intel.com/support>.

Manual Organization

Chapter 1 provides a brief overview of the Intel® Server Chassis P4000RP family. In this chapter, you will find a list of the server chassis features, photos of the product, and product diagrams to help you identify components and their locations.

Chapter 2 provides instructions on adding and replacing components. Use this chapter for step-by-step instructions and diagrams for installing or replacing components such as the fan, power supply, front panel board, and battery, among other components.

Chapter 3 provides technical reference information on cable routing, power supply specifications, and system environment requirements.

The back of this manual provides technical specifications, regulatory information, LED Decoder, "getting help" information, and Intel® Server Issue Report Form.

Product Contents, Order Options, and Accessories

- Your Intel® Server System P4308RPLSHDR ships with the following items:
 - Intel® Server Board S1200V3RPL
 - Intel® Server Chassis P4308XXSHDR with two 460W hotswap power supplies, two fixed system fan and 8x3.5" hot-swap HDD cage
 - Documentation
- Your Intel® Server Board S1200V3RPL can work with Intel® Server Chassis P4304XXSFCN and P4304XXSHCN.
- Your Intel® Server Board S1200V3RPS can work with Intel® Server Chassis P4304XXFCN.

For information about compatible accessories, memory, processors, and third-party hardware and ordering information for Intel products, see: <http://www.intel.com/support>.

Additional Information and Software

If you need more information about this product or information about the accessories that you can use with this server chassis, use the following resources. These files are available at: <http://www.intel.com/support>.

Unless otherwise indicated in the following table, once on this web page, type the document or software name in the search field at the left side of the screen and select the option to search "This Product".

Table 1. Server System References

For this information or software	Use this Document or Software
For in-depth technical information about this product.	<ul style="list-style-type: none"> ▪ <i>Intel® Server Board S1200V3RP Family Technical Product Specification</i> ▪ <i>Intel® Server System P4000RP Family Technical Product Specification</i> See the section on the web page titled, “Document and Guides”.
If you just received this product and need to install it.	<ul style="list-style-type: none"> ▪ <i>Intel® Server Board S1200V3RP Quick Start User Guide</i> ▪ <i>Intel® Server System P4000RP Family Quick Installation User Guide</i>
Accessories or other Intel® server products.	<i>Spares and Configuration Guide</i>
To quickly and efficiently select compatible components to design a complete system.	Intel® Server Configurator tool http://serverconfigurator.intel.com/sct_app.aspx#/SctMain
To make sure your system falls within the allowed power budget.	Power Budget Tool
For software to manage your Intel® server.	Intel® Server Management Software
For firmware and drivers.	Firmware and Drivers

Table of Contents

Safety Information.....	iii
Preface	v
1 Server System Features	1
Intel® Server System P4308RPLSHDR View.....	1
Hot Swap Hard Drive Bay and Front Panel Options.....	2
Front Control Panel	2
Back Panel.....	3
Server Board Components.....	4
Intel® Light-Guided Diagnostics	5
System Jumpers.....	8
Hot-Swap SAS/SATA Backplane.....	9
Advanced Management Options	10
2 Hardware Installations and Upgrades	11
Before You Begin.....	11
Tools and Supplies Needed	11
System Reference.....	11
Cable Routing Recommendations.....	12
Cable connections for Intel® Server System P4308RPLSHDR:	12
Removing and Installing the System Side Cover	13
Removing the System Side Cover.....	13
Installing the System Side Cover	14
Removing and Installing the Front Bezel.....	14
Removing the Front Bezel.....	14
Installing the Front Bezel.....	15
Removing and Installing Processor	16
Removing Processor Heatsink	16
Installing the Processor	17
Installing Processor Heatsink	20
Installing and Removing Memory	20
Installing Memory	20
Removing Memory	21
Installing and Removing Hot-swap Hard Drive	21
Installing a Hard Disk Drive into 3.5" Hard Drive Carrier	21
Installing and Removing a PCI Add-in Card	23
Installing a PCI Add-in Card	23
Removing a PCI Add-in Card	25
Installing and Removing an Optical Drive.....	25
Installing an Optical Drive.....	25
Removing an Optical Drive.....	26
Installing and Removing the Intel® ESRTII RAID SATA Key.....	27
Installing the Intel® ESRTII RAID SATA Key.....	27
Removing the Intel® ESRTII RAID SATA Key.....	27
Installing and Removing the Intel® Remote Management Module 4	28
Installing the Intel® RMM4 Lite.....	28
Install the Intel® RMM4 NIC	28

Removing the Intel® RMM4 Lite	29
Removing the Intel® RMM4 NIC	30
Installing and Removing the Intel® RAID Smart Battery	30
Installing the Intel® RAID Smart Battery	30
Removing the Intel® RAID Smart Battery	31
Removing and Installing the Fixed Power Supply	31
Removing the Fixed Power Supply	31
Installing the Fixed Power Supply	32
Installing an Additional Hot-swap Power Supply Module	33
Replacing a Hot Swap Power Supply Module	34
Replacing the Power Distribution Board	34
Installing and Removing the Server Board.....	39
Removing the Server Board.....	39
Installing the Server Board.....	40
Replacing a Fixed Fan.....	40
Removing the Fixed Fan	40
Installing the Fixed Fan	41
Removing and Installing 8x3.5" Hot-swap Hard Drive Cage Assembly	42
Removing 8x3.5" Hot-swap Hard Drive Cage with Backplane.....	42
Installing 8x3.5" Hot-swap Hard Drive Cage with Backplane.....	43
Removing and Installing 8x3.5" Hot-swap Backplane.....	45
Removing 8x3.5" Hot-swap Backplane	45
Installing 8x3.5" Hot-swap Backplane	45
Removing and Installing the Chassis Feet.....	46
Removing the Chassis Feet	46
Installing the Chassis Feet	47
Removing and Installing the Front Panel Tray	48
Removing the Front Panel Tray.....	48
Installing the Front Panel Tray	49
Replacing the Front Panel Board.....	51
Installing Alternate Serial Port	52
3 Server Utilities	54
Using the BIOS Setup Utility.....	54
Starting Setup	54
Setup Navigation Keyboard Commands	54
Setup Screen Menu Selection Bar	55
BIOS Setup Utility Screens	55
Map of Screens and Functionality.....	56
Main Screen (Tab)	58
Advanced Screen (Tab)	61
Processor Configuration	63
Memory Configuration	71
Mass Storage Controller Configuration	74
PCI Configuration	77
NIC Configuration.....	79
Serial Port Configuration.....	87
USB Configuration	89
System Acoustic and Performance Configuration.....	93
Security Screen (Tab).....	95
Server Management Screen (Tab)	99

Console Redirection.....	104
System Information	107
BMC LAN Configuration	110
Boot Options Screen (Tab).....	119
CDROM Order	124
Hard Disk Order.....	125
Floppy Order.....	126
Network Device Order	127
BEV Device Order	128
Add EFI Boot Option	128
Delete EFI Boot Option.....	130
Boot Manager Screen (Tab).....	130
Error Manager Screen (Tab).....	132
Save & Exit Screen (Tab).....	133
Appendix A: Technical Reference	137
365-W Fixed Power Supply Input/Output Voltages.....	137
460-W Redundant Power Supply Input/Output Voltages	138
System Environmental Specifications.....	138
Appendix B: Regulatory and Compliance Information	140
Appendix C: LED Decoder	141
Appendix D: Getting Help	145
Warranty Information	145
Appendix E: Intel® Server Issue Report Form.....	146

List of Figures

Figure 1. Intel® Server System P4308RPLSHDR View	1
Figure 2. Hot Swap Hard Drive Bay	2
Figure 3. Front Control Panel.....	2
Figure 4. Back Panel	3
Figure 5. Server Board Connector and Component Locations (S1200V3RPL and S1200V3RPS).....	4
Figure 6. Intel® Light-Guided Diagnostic LEDs - Server Board	5
Figure 7. Configuration Jumpers	8
Figure 8. 8 x 3.5 backplane - Rear View	10
Figure 9. 8 x 3.5 backplane - Front View	10
Figure 10. Cable connections for Intel® Server System P4308RPLSHDR	12
Figure 11. Removing the Side Cover	13
Figure 12. Installing the Side Cover	14
Figure 13. Removing the Front Bezel.....	15
Figure 14. Installing the Front Bezel.....	16
Figure 15. Removing Processor Heatsink	17
Figure 16. Installing Processor – Open the Socket Lever.....	17
Figure 17. Installing Processor – Open the Load Plate	18
Figure 18. Installing Processor – Install the Processor.....	18
Figure 19. Installing Processor – Close the Load Plate	18
Figure 20. Installing Processor – Engage the Load Plate.....	19
Figure 21. Installing Processor – Latch the Locking Lever	19
Figure 22. Installing Processor – Remove the Cover	19
Figure 23. Installing Processor Heatsink	20
Figure 24. Installing Memory	21
Figure 25. Installing Hard Disk Drive – Removing 3.5" HDD carrier	22
Figure 26. Installing Hard Disk Drive – Removing 3.5" HDD interface bracket	22
Figure 27. Installing Hard Disk Drive – Installing 3.5" HDD	22
Figure 28. Installing Hard Disk Drive – Installing 2.5" HDD	23
Figure 29. Installing Hard Disk Drive – Inserting 3.5" HDD assembly.....	23
Figure 30. Remove PCI slot shield.....	24
Figure 31. Open PCI card retainer.....	24
Figure 32. Close PCI card retention device	25
Figure 33. Remove the Optical Drive filler	25
Figure 34. Installing an Optical Drive.....	26
Figure 35. Remove an Optical Drive	26
Figure 36. Install optical drive filler.....	26
Figure 37. Installing the Intel® ESRTII RAID SATA Key	27
Figure 38. Removing the Intel® ESRTII RAID SATA Key.....	27
Figure 39. Installing the Intel® RMM4 Lite.....	28
Figure 40. Installing the Intel® RMM4 NIC	29
Figure 41. Removing the Intel® RMM4 Lite	29
Figure 42. Removing the Intel® RMM4 NIC	30
Figure 43. Installing the Intel® RAID Smart Battery	30
Figure 44. Removing the Intel® RAID Smart Battery	31
Figure 45. Removing Fixed Power Supply.....	32
Figure 46. Installing Fixed Power Supply.....	32
Figure 47. Removing Power Supply Filler Panel	33

Figure 48. Installing Additional Hot-swap Power Supply Module.....	33
Figure 49. Removing Hot-swap Power Supply Module from Chassis	34
Figure 50. Installing Hot-swap Power Supply Module into Chassis	34
Figure 51. Removing Hot-swap Power Supply Module from Chassis	35
Figure 52. Loosening the Bracket with Power Distribution Board from Chassis.....	35
Figure 53. Removing the Bracket with Power Distribution Board from Chassis	36
Figure 54. Removing the Power Distribution Board from Bracket	36
Figure 55. Sliding the New Power Distribution Board in Bracket	37
Figure 56. Securing the New Power Distribution Board in Bracket	37
Figure 57. Sliding the Bracket into Power Supply Cage	38
Figure 58. Securing the Bracket into Power Supply Cage	38
Figure 59. Installing Hot-swap Power Supply Module into Chassis	39
Figure 60. Removing the Server Board.....	39
Figure 61. Installing the Server Board.....	40
Figure 62. Remove the fan from the chassis	40
Figure 63. Removing the fan and the rear vent cover	41
Figure 64. Assemble the fan	41
Figure 65. Fix the fan.....	42
Figure 66. Removing the 8x3.5" HDD Cage.....	43
Figure 67. Installing the 8x3.5" Hot-Swap Hard Drive Cage	44
Figure 68. 8x3.5" Hot Swap Backplane Cable Connections	44
Figure 69. Removing 8x3.5" Hot-swap Backplane	45
Figure 70. Installing 8x3.5" Hot-swap Backplane.....	46
Figure 71. Removing the Chassis Feet	47
Figure 72. Installing the Chassis Feet.....	47
Figure 73. Disconnecting the Cables from the Server Board.....	48
Figure 74. Sliding the Front Panel Tray out from the Chassis	49
Figure 75. Disconnecting the Cables from Front Panel Board	49
Figure 76. Connecting the Cables to the Front Panel Board	50
Figure 77. Installing the Front Panel Tray in Chassis.....	50
Figure 78. Connecting the Cables to Server Board the Front Panel Tray in Chassis.....	51
Figure 79. Removing the Front Panel Board.....	51
Figure 80. Removing and Installing the Cap on Front Panel Board.....	52
Figure 81. Installing the New Front Panel Board	52
Figure 82. Removing the Alternate Serial Port Knockout	53
Figure 83. Installing the Alternate Serial Port Knockout	53
Figure 84. Main Screen.....	58
Figure 85. Advanced Screen.....	61
Figure 86. Processor Configuration Screen	64
Figure 87. Memory Configuration Screen.....	72
Figure 88. Mass Storage Controller Configuration Screen.....	75
Figure 89. PCI Configuration Screen.....	77
Figure 90. NIC Configuration Screen	82
Figure 91. Serial Port Configuration Screen	88
Figure 92. USB Configuration Screen.....	90
Figure 93. System Acoustic and Performance Configuration.....	93
Figure 94. Security Screen	96
Figure 95. Server Management Screen	99
Figure 96. Console Redirection Screen	105
Figure 97. System Information Screen.....	108
Figure 98. BMC LAN Configuration Screen.....	111

List of Figures

Figure 99. Boot Options Screen 120
Figure 100. CDROM Order Screen..... 125
Figure 101. Hard Disk Order Screen 126
Figure 102. Floppy Order Screen 126
Figure 103. Network Device Order Screen..... 127
Figure 104. BEV Device Order Screen..... 128
Figure 105. Add EFI Boot Option Screen..... 129
Figure 106. Delete EFI Boot Option Screen 130
Figure 107. Boot Manager Screen 131
Figure 108. Error Manager Screen 132
Figure 109. Save & Exit Screen 133
Figure 110. Diagnostic LED Placement Diagram 141

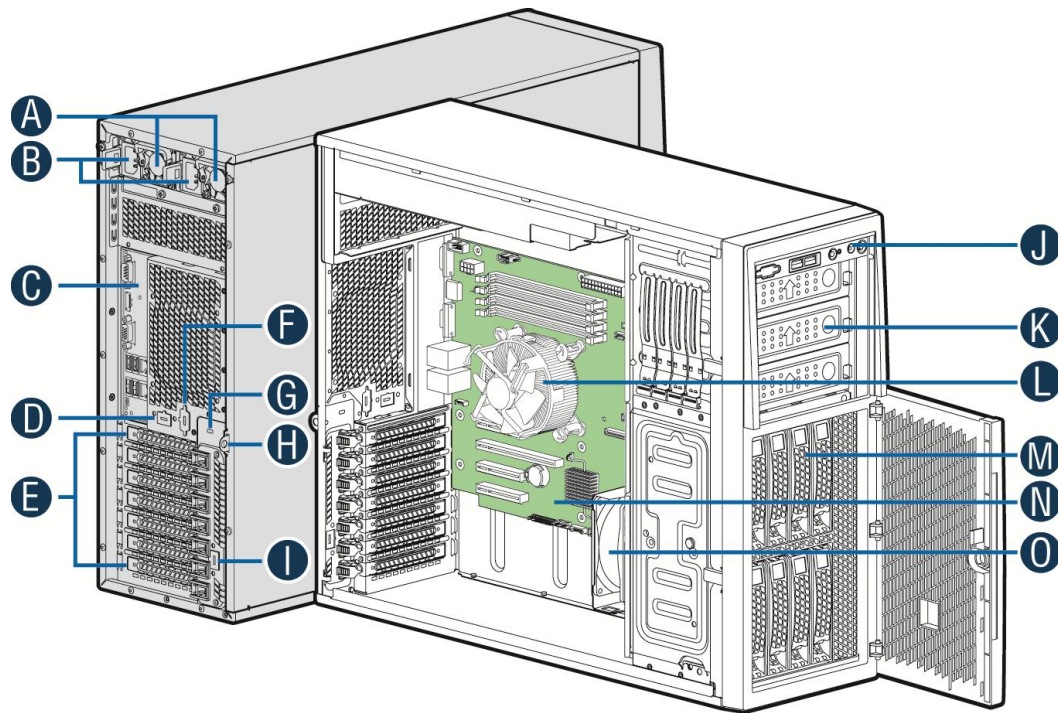
List of Tables

Table 1. Server System References.....	vi
Table 2. System Status LED State Definitions	6
Table 3. BMC Boot/Reset Status LED Indicators.....	7
Table 4. Server Board Jumpers	9
Table 5. BIOS Setup: Keyboard Command Bar.....	54
Table 6. Screen Map	56
Table 7. AC Input Voltage Range.....	137
Table 8. Over Voltage Protection Limits	137
Table 9. AC Input Voltage Range.....	138
Table 10. Over Voltage Protection Limits	138
Table 11. System Environmental Limits Summary	138
Table 12. POST Progress Code LED Example	141
Table 13. POST Progress Code Decoder	142

1 Server System Features

This section helps you identify the components of your server system. You can download the *Quick Reference Label* from www.intel.com/support/

Intel® Server System P4308RPLSHDR View



AF006097

A	460W Hot Swap Power Supply (Two)	I	Alternate RMM4 Knockout
B	AC Input Power Connector (Two)	J	Front Control Panel
C	I/O Ports	K	5.25" Peripheral Bays
D	RMM4 Knockout	L	Active Heatsink
E	PCI Add-in Board Slot Covers	M	8 x 3.5" Hot-swap HDD Cage
F	Alternate Serial Port Knockout	N	Server Board
G	A Kensington* Cable Lock Mounting Hole	O	System Fan
H	Padlock Loop		

Figure 1. Intel® Server System P4308RPLSHDR View

Hot Swap Hard Drive Bay and Front Panel Options

The figure below shows the 8x3.5" drive bay for Intel® Server System P4308RPLSHDR.

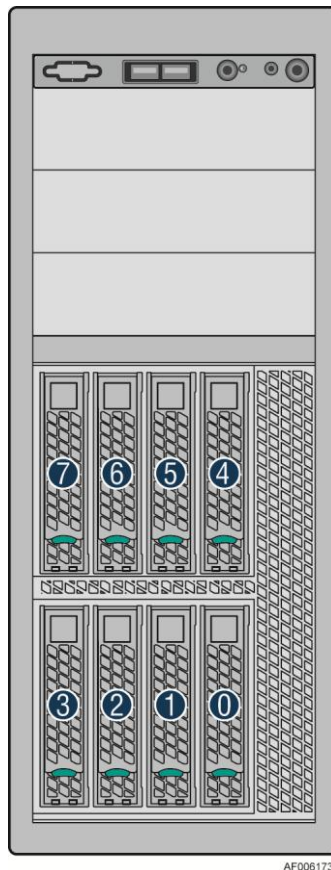
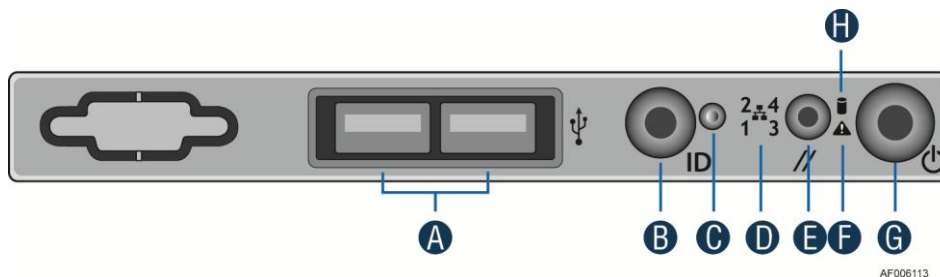


Figure 2. Hot Swap Hard Drive Bay

Front Control Panel

The following figure shows the layout of the components in the Front Control Panel:

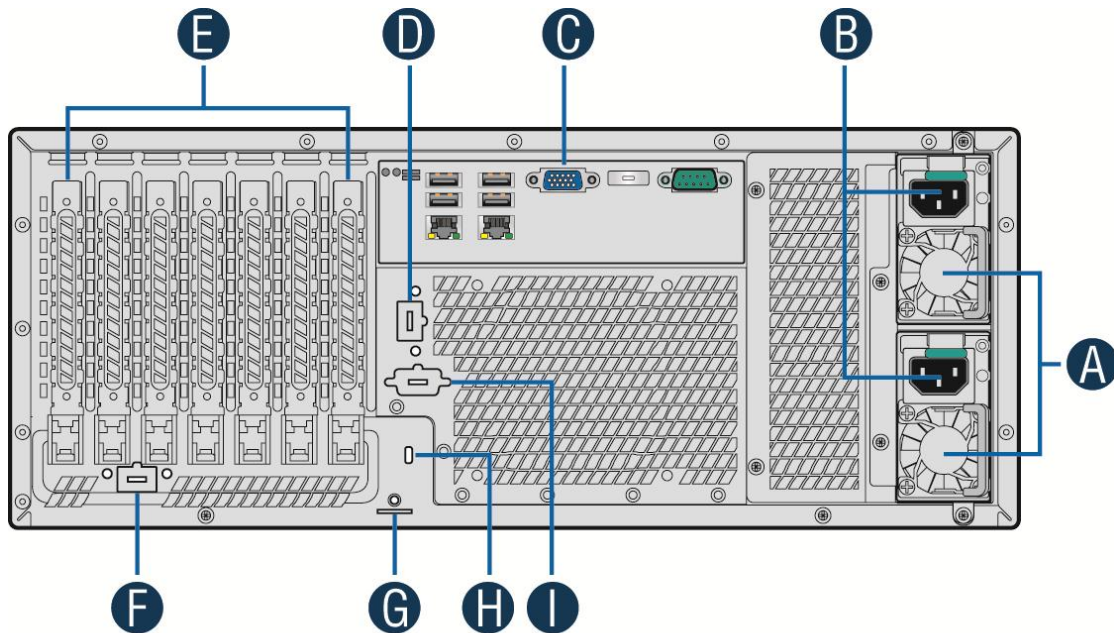


A	USB Connectors	E	System Reset Button
B	ID Button with ID LED Integrated	F	System Status LED
C	NMI Button	G	System Power Button with Power LED
D	NIC LED	H	HDD Activity LED

Figure 3. Front Control Panel

Back Panel

The following figures show the layout of Back Panel:



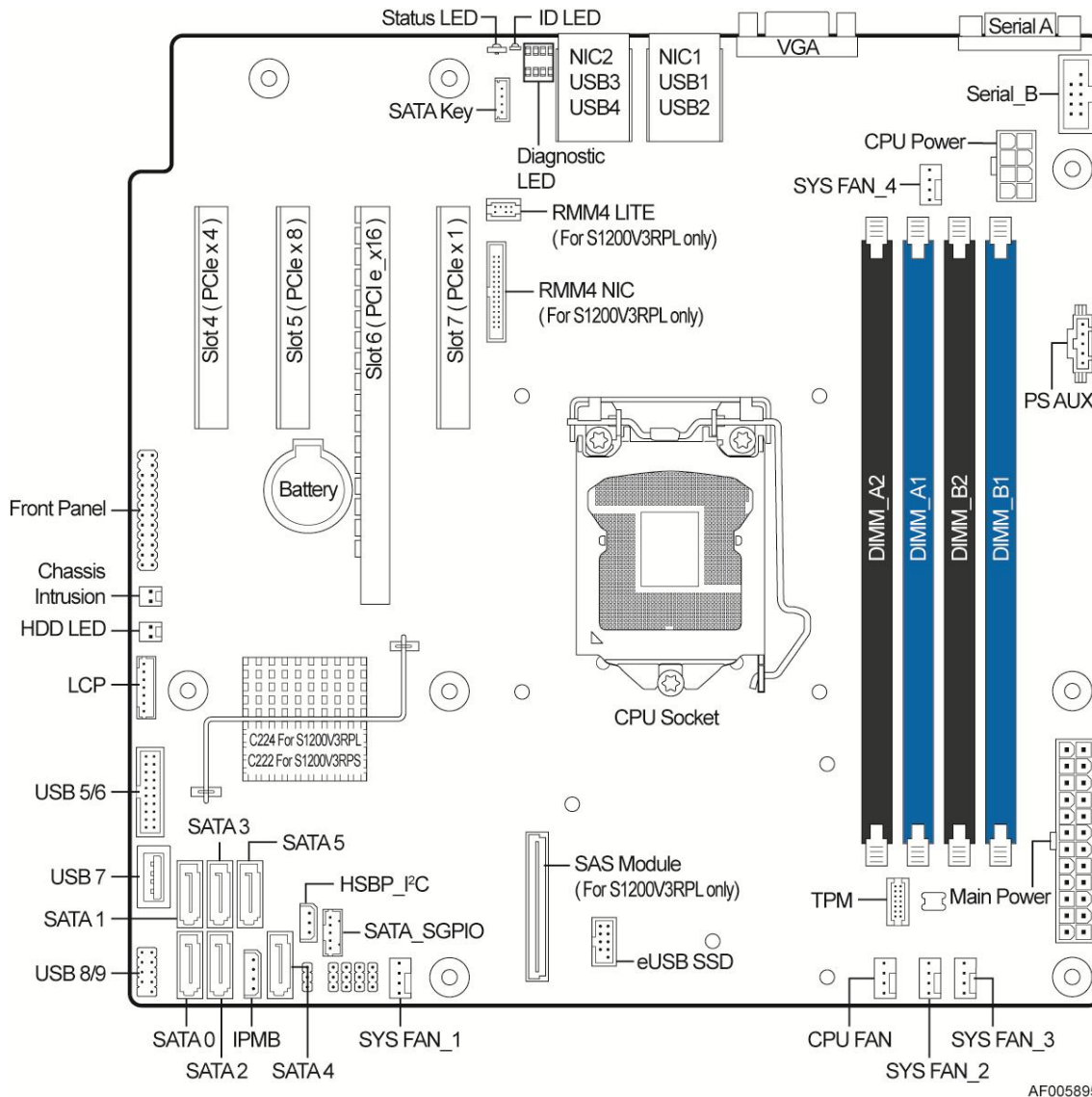
AF006174

A	Power Supply	F	RMM4 NIC Port (Optional)
B	Power Connectors	G	Padlock Loop
C	IO Connectors	H	Kensington* Cable Lock Mounting Hole
D	RMM4 NIC Port (Optional)	I	Serial-B Port (Optional)
E	Add in PCI-e card slots		

Figure 4. Back Panel

Server Board Components

This section helps you identify the components and connectors on the Intel® Server Board S1200V3RPL.



AF005895

Figure 5. Server Board Connector and Component Locations (S1200V3RPL and S1200V3RPS)

Intel® Light-Guided Diagnostics

The following figure shows the locations of Diagnostic LEDs on Intel® Server Board S1200V3RPL:

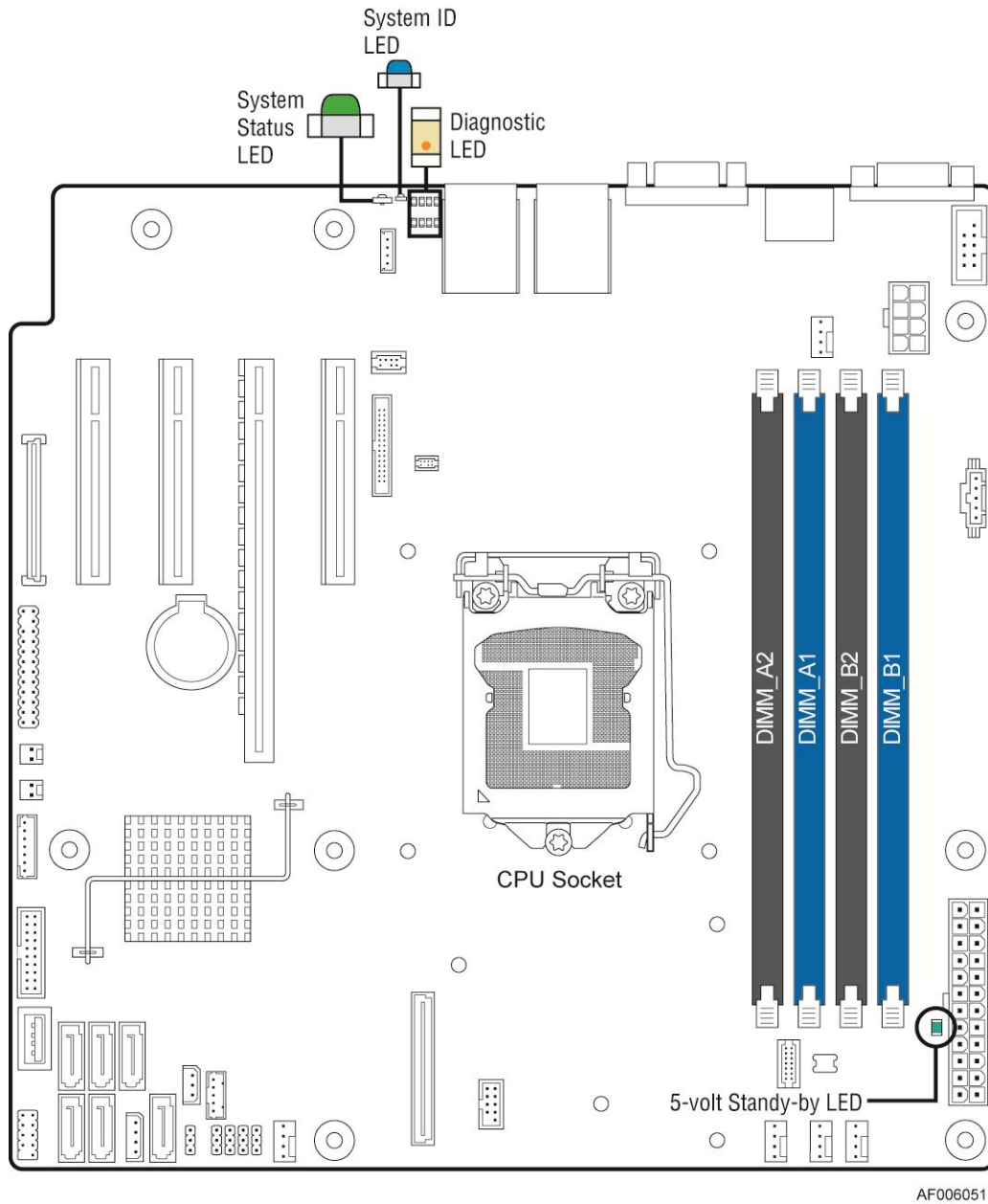


Figure 6. Intel® Light-Guided Diagnostic LEDs - Server Board

Server System Features

The server system contains the following diagnostic LEDs, each providing the following functions:

1. System ID LED

The server board includes a blue system ID LED which is used to visually identify a specific server installed among many other similar servers. There are two options available for illuminating the System ID LED.

- The front panel ID LED Button is pushed, which causes the LED to illuminate to a solid ON state until the button is pushed again.
- An *IPMI Chassis Identify* command is remotely entered, which causes the LED to blink

The System ID LED on the server board is tied directly to the System ID LED on system front panel if present.

2. System Status LED

The server board includes a bi-color System Status LED. The System Status LED on the server board is tied directly to the System Status LED on the front panel (if present). This LED indicates the current health of the server. Possible LED states include solid green, blinking green, blinking amber, and solid amber.

When the server is powered down (transitions to the DC-off state or S5), the BMC is still on standby power and retains the sensor and front panel status LED state established before the power-down event.

When AC power is first applied to the system, the status LED turns solid amber and then immediately changes to blinking green to indicate that the BMC is booting. If the BMC boot process completes with no errors, the status LED will change to solid green.

Table 2. System Status LED State Definitions

Color	State	Criticality	Description
Off	System is not operating	Not ready	<ol style="list-style-type: none"> 1. System is powered off (AC and/or DC). 2. System is in EuP Lot6 Off Mode. 3. System is in S5 Soft-Off State. 4. System is in S4 Hibernate Sleep State.
Green	Solid on	Ok	Indicates that the System is running (in S0 State) and its status is 'Healthy'. The system is not exhibiting any errors. AC power is present and BMC has booted and manageability functionality is up and running.
Green	~1 Hz blink	Degraded - system is operating in a degraded state although still functional, or system is operating in a redundant state but with an impending failure warning	<p>System degraded:</p> <p>Redundancy loss, such as power-supply or fan. Applies only if the associated platform sub-system has redundancy capabilities.</p> <p>Fan warning or failure when the number of fully operational fans is more than minimum number needed to cool the system.</p> <p>Non-critical threshold crossed – Temperature (including HSBP temp), voltage, input power to power supply, output current for main power rail from power supply and Processor Thermal Control (Therm Ctrl) sensors.</p> <p>Power supply predictive failure occurred while redundant power supply configuration was present.</p> <p>Unable to use all of the installed memory (one or more DIMMs failed/disabled but functional memory remains available)</p> <p>Correctable Errors over a threshold and migrating to a spare DIMM (memory sparing). This indicates that the user no longer has spared DIMMs indicating a redundancy lost condition. Corresponding DIMM LED lit.</p> <p>Uncorrectable memory error has occurred in memory Mirroring Mode, causing Loss of Redundancy.</p> <p>Correctable memory error threshold has been reached for a failing DDR3 DIMM when the system is operating in fully redundant RAS Mirroring Mode.</p> <p>Battery failure.</p>

Color	State	Criticality	Description
			<p>BMC executing in uBoot. (Indicated by Chassis ID blinking at Blinking at 3Hz). System in degraded state (no manageability). BMC uBoot is running but has not transferred control to BMC Linux*. Server will be in this state 6-8 seconds after BMC reset while it pulls the Linux* image into flash.</p> <p>BMC booting Linux*. (Indicated by Chassis ID solid ON). System in degraded state (no manageability). Control has been passed from BMC uBoot to BMC Linux* itself. It will be in this state for ~10~20 seconds. BMC Watchdog has reset the BMC.</p> <p>Power Unit sensor offset for configuration error is asserted.</p> <p>HDD HSC is off-line or degraded.</p>
Amber	~1 Hz blink	Non-critical - System is operating in a degraded state with an impending failure warning, although still functioning	<p>Non-fatal alarm – system is likely to fail:</p> <p>Critical threshold crossed – Voltage, temperature (including HSBP temp), input power to power supply, output current for main power rail from power supply and PROCHOT (Therm Ctrl) sensors.</p> <p>VRD Hot asserted.</p> <p>Minimum number of fans to cool the system not present or failed</p> <p>Hard drive fault.</p> <p>Power Unit Redundancy sensor – Insufficient resources offset (indicates not enough power supplies present)</p> <p>In non-sparing and non-mirroring mode if the threshold of correctable errors is crossed within the window.</p> <p>Correctable memory error threshold has been reached for a failing DDR3 DIMM when the system is operating in a non-redundant mode.</p>
Amber	Solid on	Critical, non-recoverable – System is halted	<p>Fatal alarm – system has failed or shutdown:</p> <p>CPU CATERR signal asserted</p> <p>MSID mismatch detected (CATERR also asserts for this case).</p> <p>CPU 1 is missing</p> <p>CPU Thermal Trip</p> <p>No power good – power fault</p> <p>DIMM failure when there is only 1 DIMM present and hence no good memory present.</p> <p>Runtime memory uncorrectable error in non-redundant mode.</p> <p>DIMM Thermal Trip or equivalent</p> <p>SSB Thermal Trip or equivalent</p> <p>CPU ERR2 signal asserted</p> <p>BMC\Video memory test failed. (Chassis ID shows blue/solid-on for this condition)</p> <p>Both uBoot BMC FW images are bad. (Chassis ID shows blue/solid-on for this condition)</p> <p>240VA fault</p> <p>Fatal Error in processor initialization:</p> <p>Processor family not identical</p> <p>Processor model not identical</p> <p>Processor core/thread counts not identical</p> <p>Processor cache size not identical</p> <p>Unable to synchronize processor frequency</p> <p>Unable to synchronize QPI link frequency</p>

3. BMC Boot/Reset Status LED Indicators

During the BMC boot or BMC reset process, the System Status LED and System ID LED are used to indicate BMC boot process transitions and states. A BMC boot will occur when AC power is first applied to the system. A BMC reset will occur after: a BMC FW update, upon receiving a BMC cold reset command, and upon a BMC watchdog initiated reset. The following table defines the LED states during the BMC Boot/Reset process.

Table 3. BMC Boot/Reset Status LED Indicators

BMC Boot/Reset State	ID LED	Status LED	Comment
BMC/Video memory test failed	Solid Blue	Solid Amber	Nonrecoverable condition. Contact your Intel® representative for information on replacing this motherboard.
Both Universal Bootloader (u-Boot) images bad	Solid Blue	Solid Amber	Nonrecoverable condition. Contact your Intel® representative for information on replacing this motherboard.
BMC in u-Boot	Blink Blue 3Hz	Blink Green 1Hz	Blinking green indicates degraded state (no manageability), blinking blue indicates u-Boot is running but has not transferred control to BMC Linux*. Server will be in this state 6-8 seconds after BMC reset while it pulls the Linux* image into flash.
BMC Booting Linux*	Solid Blue	Solid Green	Solid green with solid blue after an AC cycle/BMC reset, indicates that the control has been passed from u-Boot to BMC Linux* itself. It will be in this state for ~10~20 seconds.
End of BMC boot/reset process. Normal system operation	Off	Solid Green	Indicates BMC Linux* has booted and manageability functionality is up and running. Fault/Status LEDs operate as per usual.

System Jumpers

The following figure shows the locations of System Jumpers on Intel® Server Board S1200V3RPL.

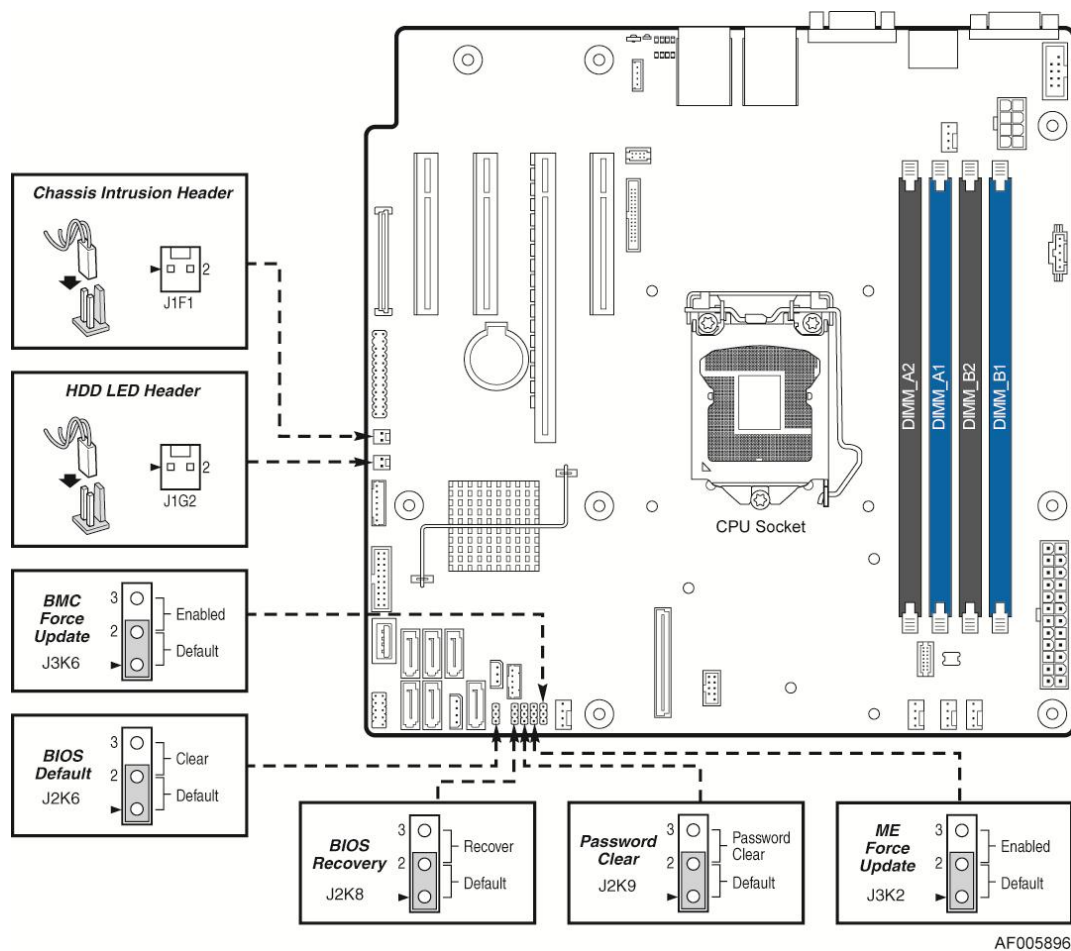


Figure 7. Configuration Jumpers

 **NOTE**

1. For safety purposes, the power cord should be disconnected from a system before removing any system components or moving any of the on-board jumper blocks.
2. System Update and Recovery files are included in the System Update Packages (SUP) posted to Intel's website: <http://www.intel.com/support/>.

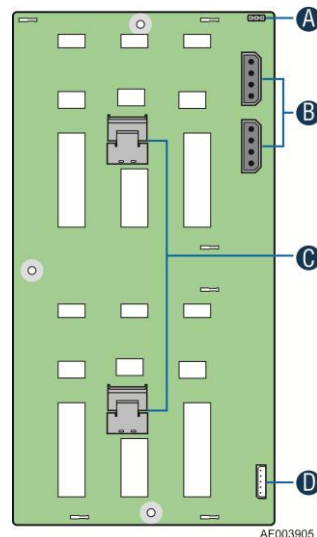
Table 4. Server Board Jumpers

Jumper Name	Pins	System Results
J3K6: BMC Force Update	1-2	BMC Firmware Force Update Mode – Disabled (Default)
	2-3	BMC Firmware Force Update Mode – Enabled
J2K8: BIOS Recovery	1-2	Pins 1-2 should be jumpered for normal system operation. (Default)
	2-3	The main system BIOS does not boot with pins 2-3 jumpered. The system only boots from EFI-bootable recovery media with a recovery BIOS image present.
J2K6: BIOS Default	1-2	These pins should have a jumper in place for normal system operation. (Default)
	2-3	If pins 2-3 are jumpered with AC power plugged in, the CMOS settings clear in 5 seconds. Pins 2-3 should not be jumpered for normal system operation.
J3K2: ME Force Update	1-2	ME Firmware Force Update Mode – Disabled (Default)
	2-3	ME Firmware Force Update Mode – Enabled
J2K9: Password Clear	1-2	These pins should have a jumper in place for normal system operation.
	2-3	To clear administrator and user passwords, power on the system with pins 2-3 connected. The administrator and user passwords clear in 5-10 seconds after power on. Pins 2-3 should not be connected for normal system operation.

Hot-Swap SAS/SATA Backplane

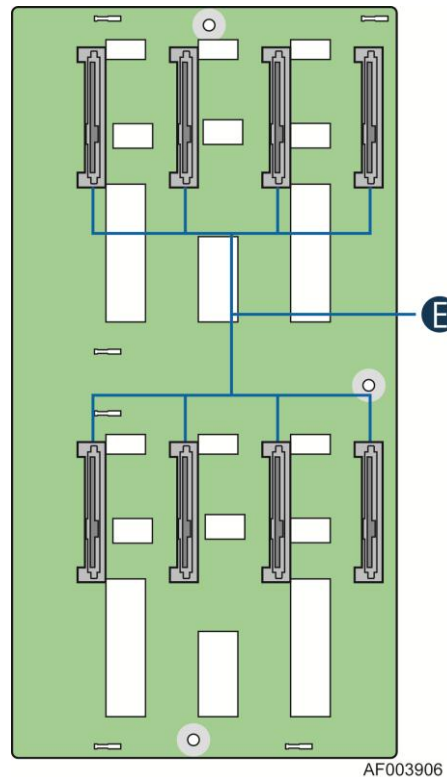
The Hot-Swap SAS/SATA backplane serves as an interface between the mother board and the system drives. The following diagrams show the location for each connector found on the backplane.

8 x 3.5-inch Hard Drive Backplane



A	SATA 6X Mode
B	Power Connectors
C	SATA/SAS Cable Connectors
D	I ² C_Out Connectors

Figure 8. 8 x 3.5 backplane - Rear View



E	SAS/SATA Hot-swap Connectors
---	------------------------------

Figure 9. 8 x 3.5 backplane - Front View

Advanced Management Options

Intel® Remote Management Module 4

The Intel® Remote Management Module 4 plugs into a dedicated connector on the server board and provides additional server management functionality to the server board.

This module provides a dedicated web server for viewing server information and remote control of the system. It also provides Remote KVM Redirection and USB Media Redirection allowing USB devices attached to the remote system to be used on the managed server.

For instructions on installing the Intel® Remote Management Module 4, see [Installing and Removing the Intel® Remote Management Module 4](#).

2 Hardware Installations and Upgrades

Before You Begin

Before working with your server product, pay close attention to the Safety Information at the beginning of this manual.

**NOTE**

Whenever you service the system, you must first power down the server and unplug all peripheral devices and the power cord.

Tools and Supplies Needed

- Phillips* (cross head) screwdriver (#1 bit and #2 bit)
- Needle nosed pliers
- Anti-static wrist strap and conductive foam pad (recommended)

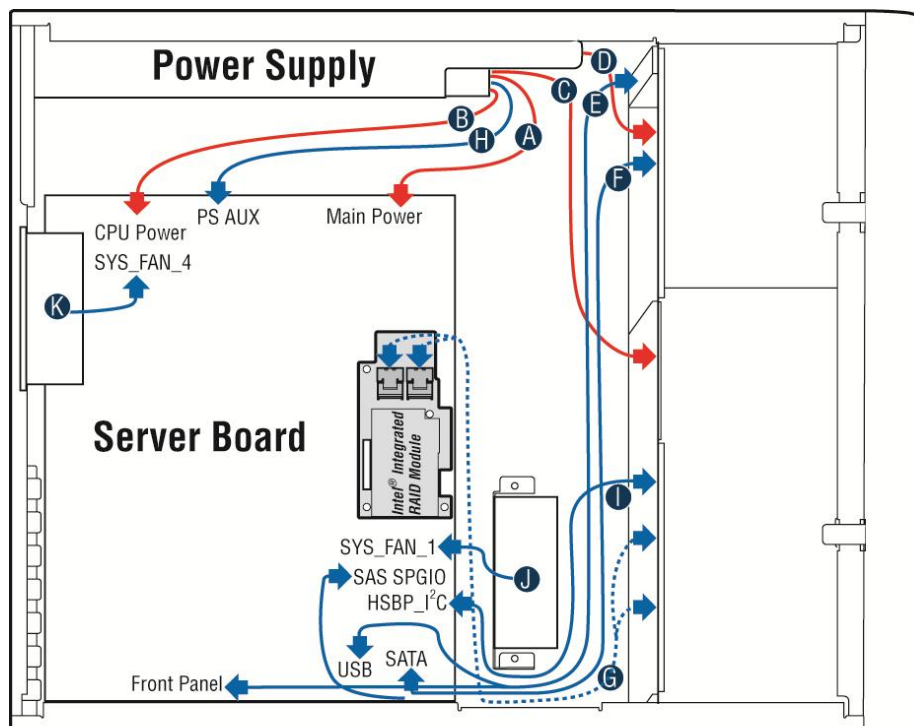
System Reference

All references to left, right, front, top, and bottom assume the reader is facing the front of the chassis as it would be positioned for normal operation.

Cable Routing Recommendations

When you add or remove components from your server system, make sure your cables are routed correctly before reinstalling the server system cover. Use caution to make sure no cables or wires are pinched and that the airflow from the fans is not blocked. Use the figures below to determine the correct cable routing.

Cable connections for Intel® Server System P4308RPLSHDR:



AF006096

A	Server Board Main Power Cable
B	CPU Power Cable
C	Backplane Power Cable
D	ODD Power Cable
E	Front Panel Cable and USB Cable
F	ODD Data Cable
G	SATA/SAS Cable and SGPIO Cable
H	PS AUX Cable
I	HSBP_I ² C Cable
J	PCI Zone System FAN
K	REAR FAN

Figure 10. Cable connections for Intel® Server System P4308RPLSHDR

Removing and Installing the System Side Cover

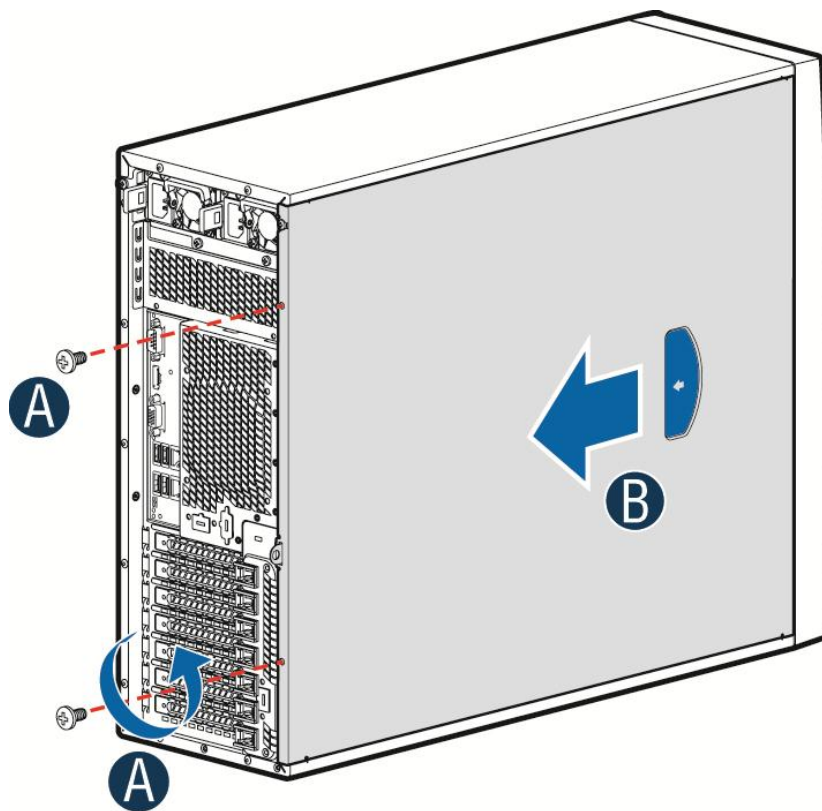
Removing the System Side Cover

The Intel® Server System P4000RP family must be operated with the top cover in place to ensure proper cooling. You will need to remove the top cover to add or replace components inside of the platform. Before removing the top cover, power down the server and unplug all peripheral devices and the AC power cable.

 **NOTE**

A non-skid surface or a stop behind the chassis may be needed to prevent the chassis from sliding on your work surface.

1. Observe the safety and ESD precautions at the beginning of this manual.
2. Turn off all peripheral devices connected to the server. Turn off the server.
3. Disconnect the AC power cord.
4. Remove the screws (see letter **A**).
5. Slide the side cover back (see letter **B**) and lift the cover outward to remove it.

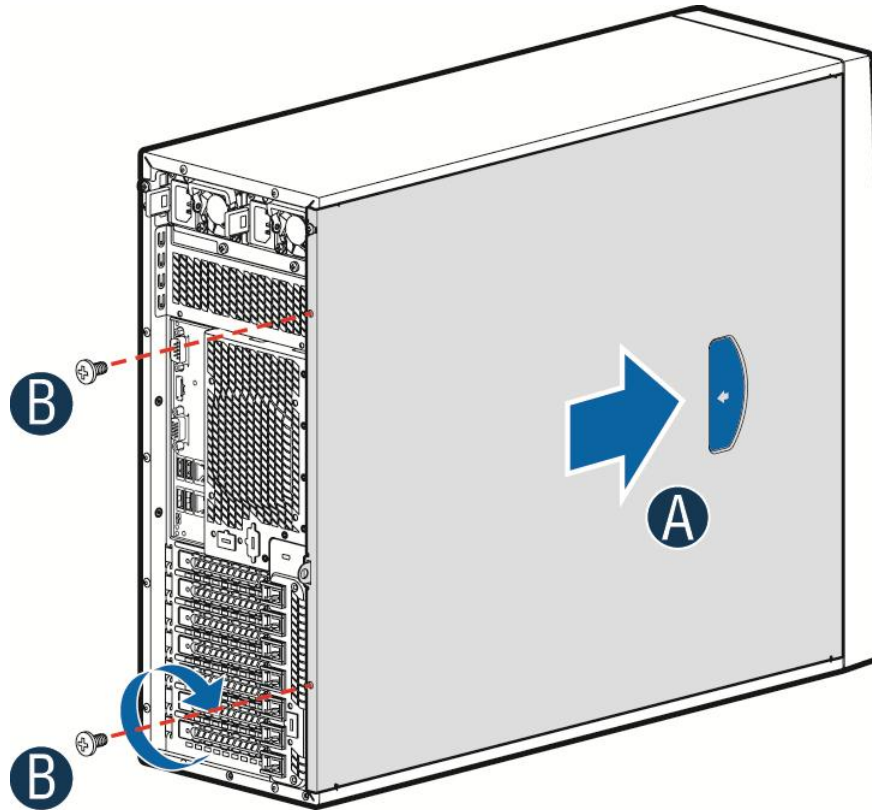


AF006099

Figure 11. Removing the Side Cover

Installing the System Side Cover

1. Slide the chassis cover on the chassis (see letter **A**).
2. Latch the cover securely to the chassis.
3. Secure the chassis cover with the screws (see letter **B**).



AF006175

Figure 12. Installing the Side Cover

Removing and Installing the Front Bezel

Removing the Front Bezel

NOTE

For a rack configuration or chassis on its side, position the chassis hanging over the edge of a table or workbench before removing the bezel.

There are two types of bezel assembly. One type is for fixed HDD configuration, the other type is for Hot-swap HDD configuration.

**CAUTION**

Do not rotate the bezel assembly more than 40 degrees or you will damage the bezel assembly.

1. Observe the safety and ESD precautions at the beginning of this manual.
2. Power down the server and unplug all peripheral devices and the AC power cable.
3. Remove the chassis cover. For instructions, see Removing the System Side Cover.
4. Release the two plastic tabs on the left side of the bezel assembly to disengage the tabs, and rotate the bezel assembly (see letter **A**) no more than 40 degrees outward.
5. At a 40-degree angle, push the bezel assembly away from the chassis (see letter **B**).
6. If the bezel assembly does not immediately disconnect from the chassis, tap the left-hand side of the bezel assembly to disengage the bezel hooks on the right-hand side of the chassis.

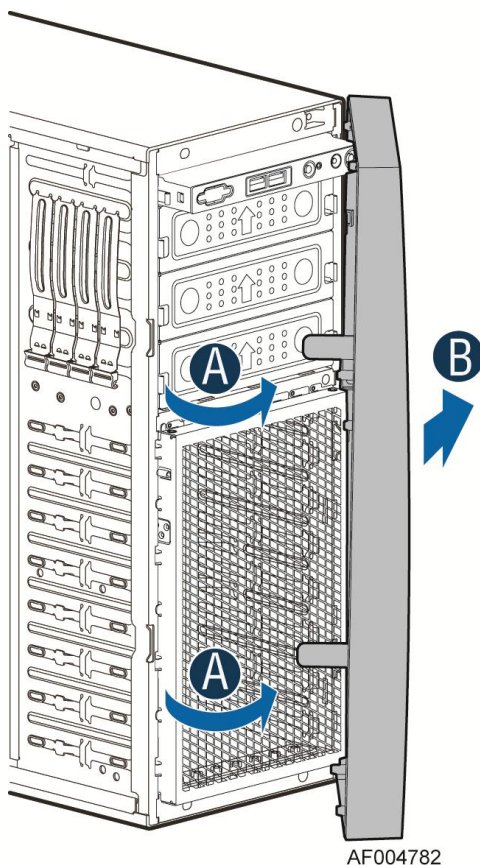


Figure 13. Removing the Front Bezel

Installing the Front Bezel

1. Fit the right edge of the bezel assembly against the right side of the chassis.
2. Engage the plastic bezel hooks (see letter **A**) into the raised metal slots at the chassis edge.
3. Rotate the bezel assembly toward the chassis.

4. Latch the two plastic tabs (see letter **B**) on the left side of the bezel assembly to the chassis.

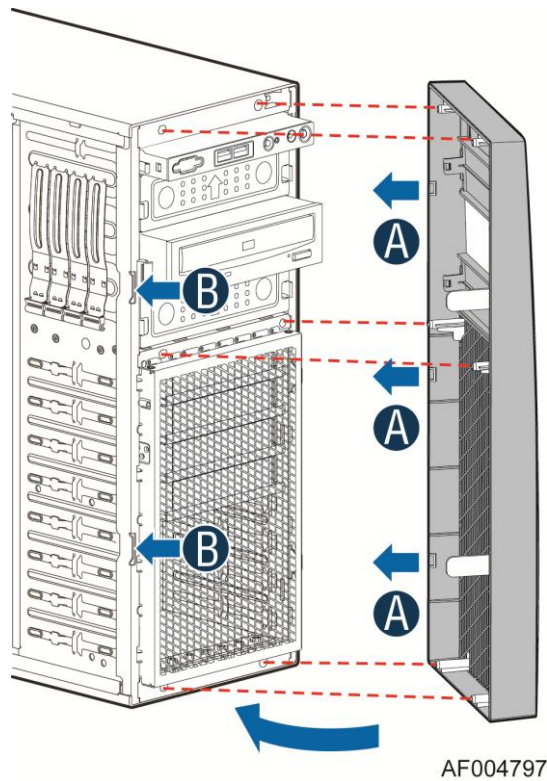


Figure 14. Installing the Front Bezel

Removing and Installing Processor

The heatsink has thermal interface material (TIM) on the underside of it. Use caution so that you do not damage the thermal interface material. Use gloves to avoid sharp edges.

Removing Processor Heatsink

The heatsink is attached to the server board/processor socket with captive fasteners. Using a #2 Phillips* screwdriver, loosen the four screws located on the heatsink corners in a diagonal manner using the following procedure:

1. Disconnect cable from the server board (see letter **A**).
2. Plug out the snaps from the server board in the numerical order as shown (see letter **B**).
3. Lift the heatsink straight up (see letter **C**).

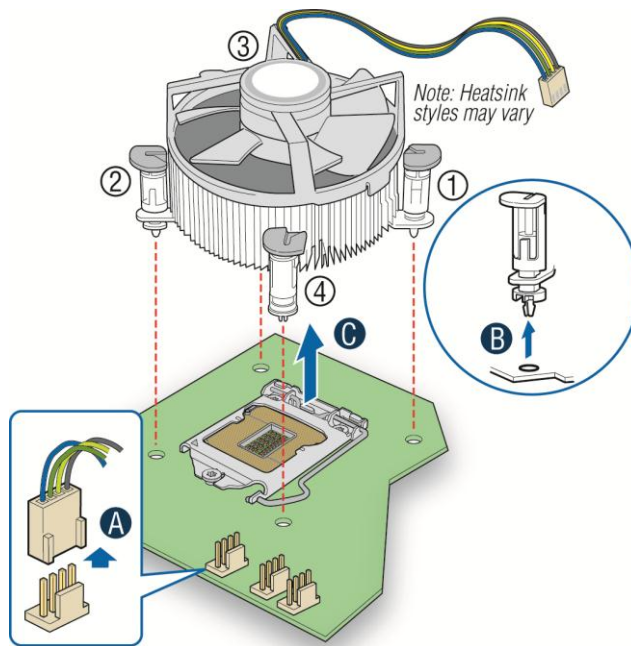


Figure 15. Removing Processor Heatsink

Installing the Processor

CAUTION

1. *Processor must be appropriate:* You may damage the server board if you install a processor that is inappropriate for your server. For a web link to the list of compatible processor(s), see *Additional Information and Software*
 2. *ESD and handling processors:* Reduce the risk of electrostatic discharge (ESD) damage to the processor by doing the following:
 - Touch the metal chassis before touching the processor or server board. Keep part of your body in contact with the metal chassis to dissipate the static charge while handling the processor.
 - Avoid moving around unnecessarily.
 3. *Protective socket cover needs to be removed for proper cooling of the processor; failure to remove the cover could result in damage to the system.*
1. Push the level handle down and away from the socket to release it (see letter **A**). Rotate the lever open all the way (see letter **B**).

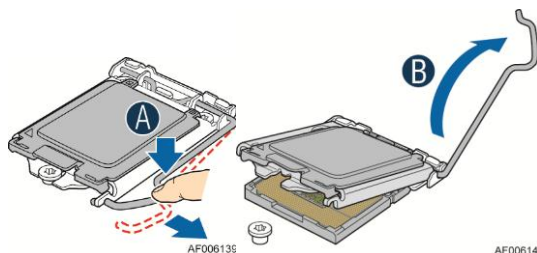


Figure 16. Installing Processor – Open the Socket Lever

2. Open the Load Plate as shown.

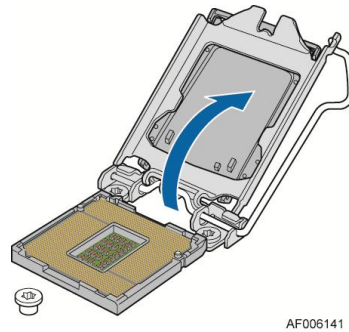


Figure 17. Installing Processor – Open the Load Plate

3. Install the Processor. Take the processor out of the box and remove the protective shipping cover. Orient the processor with the socket so that the orientation notches on the processor align with the two orientation posts on the socket (see letter **A**). Note the location of the gold key at the corner of the processor (see letter **B**).

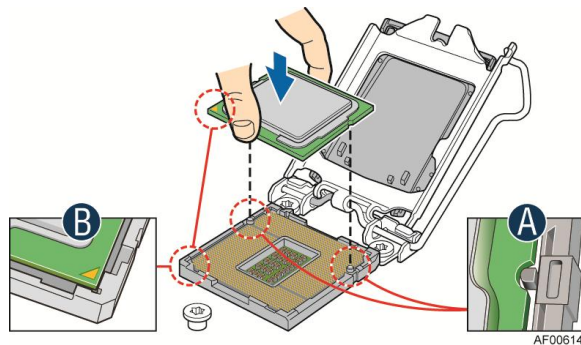


Figure 18. Installing Processor – Install the Processor

 **NOTE**

The underside of the processor has components that may damage the socket pins if installed improperly. Processor must align correctly with the socket opening before installation. DO NOT DROP processor into socket!

4. Carefully lower the load plate over the processor.

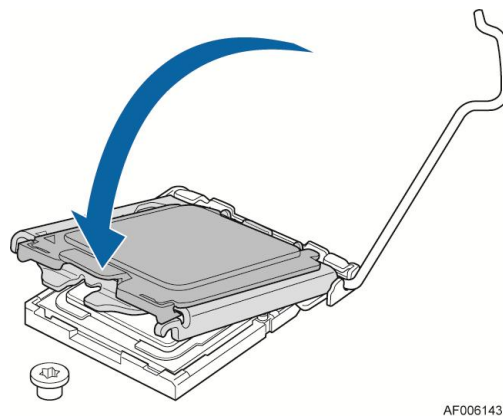


Figure 19. Installing Processor – Close the Load Plate

5. Make sure the front edge of the load plate slides under the shoulder screw as the lever is lowered (see letter **A**). Close the load plate locking lever (see letter **B**).

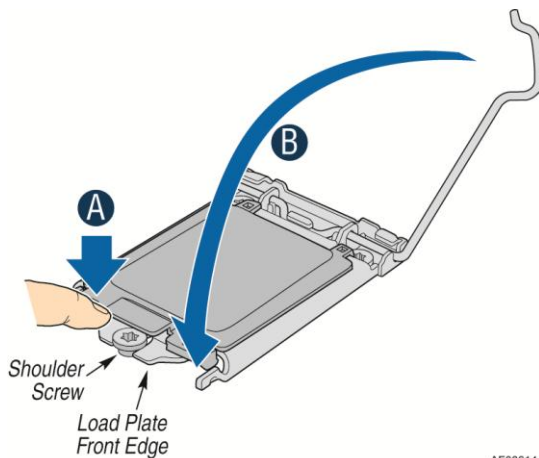


Figure 20. Installing Processor – Engage the Load Plate

6. Push down on the locking lever (see letter **A**). Slide the tip of the lever under the notch in the load plate. *Make sure the lever is securely latched* (see letter **B**).

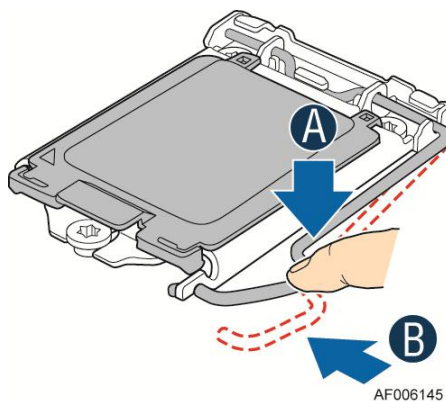


Figure 21. Installing Processor – Latch the Locking Lever

7. Carefully lift the cover straight up as shown.

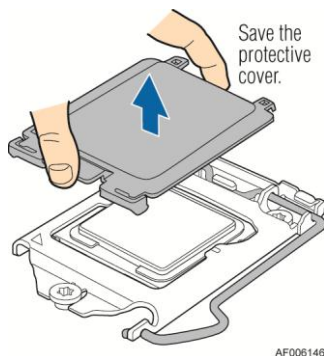


Figure 22. Installing Processor – Remove the Cover

Installing Processor Heatsink

1. Remove the Thermal Interface Material (TIM) if present.
2. Make sure the screwdriver slot at the top of each fastener is rotated perpendicular to the blades of the heatsink as shown (see letter **A**).

Each heatsink has four captive fasteners and should be tightened in a diagonal manner using the following procedure:

- 1) Align heatsink with holes in board and lower assembly to board. Snaps go through holes in server board (see letter **B**).
 - 2) Press downward on top of cap (see letter **C**).
 - 3) Fastener snaps into final position (see letter **D**).
3. Plug the fan cable into the CPU fan header.

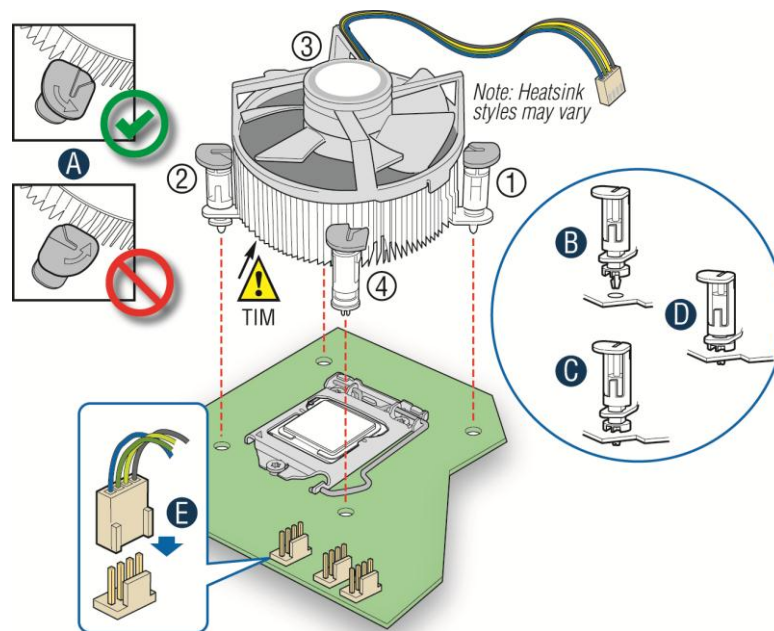
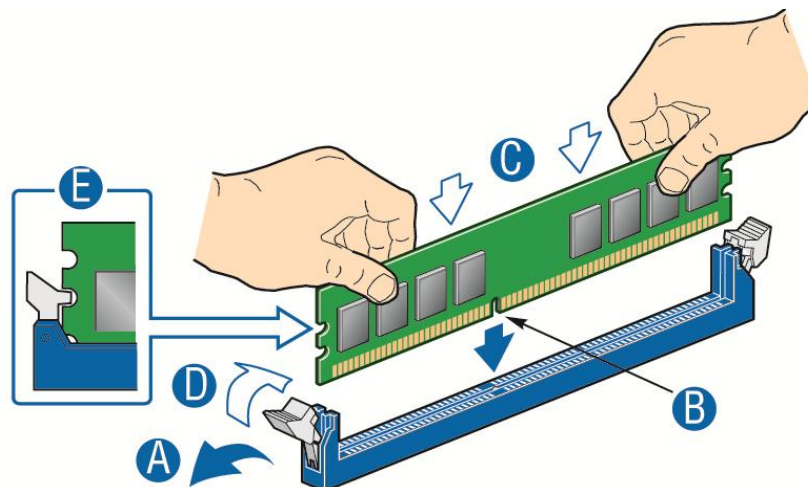


Figure 23. Installing Processor Heatsink

Installing and Removing Memory

Installing Memory

1. Locate the DIMM sockets. Make sure the clips at either end of the DIMM socket(s) are pushed outward to the open position (see letter **A**).
2. Holding the DIMM by the edges, remove it from its anti-static package. Position the DIMM above the socket. Align the notch on the bottom edge of the DIMM with the key in the DIMM socket (see letter **B**).
3. Insert the bottom edge of the DIMM into the socket (see letter **C**). When the DIMM is inserted, push down on the top edge of the DIMM until the retaining clips snap into place (see letter **D**). Make sure the clips are firmly in place (see letter **E**).



AF003516

Figure 24. Installing Memory

Removing Memory

1. Locate the DIMM sockets. Gently spread the retaining clips at each end of the socket. The DIMM lifts from the socket.
2. Holding the DIMM by the edges, lift it from the socket, and store it in an anti-static package.

Installing and Removing Hot-swap Hard Drive

Caution: If you don't install all drives, empty drive bays must be occupied by carriers with plastic drive blank provided to maintain proper system cooling.

Installing a Hard Disk Drive into 3.5" Hard Drive Carrier

1. Remove the drive carrier by pressing the green button and opening the lever (see letter **A**). Slide the carrier out (see letter **B**).

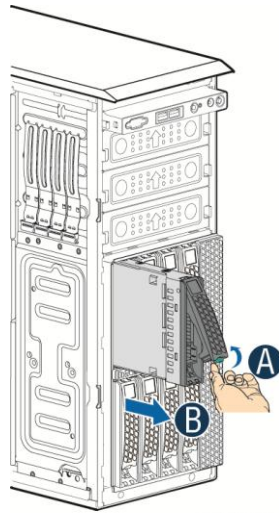


Figure 25. Installing Hard Disk Drive – Removing 3.5" HDD carrier

2. Remove the four screws securing the HDD interface bracket and remove the HDD interface bracket (see letter C).

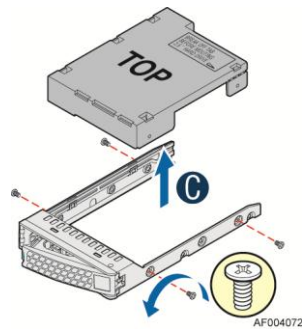


Figure 26. Installing Hard Disk Drive – Removing 3.5" HDD interface bracket

3. Install the hard disk drive using the same four screws as shown. Make sure the connector end of the drive matches the backplane connector (see letter D).

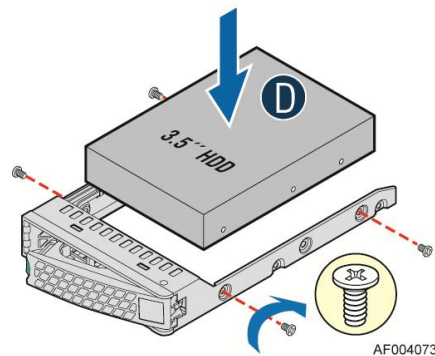


Figure 27. Installing Hard Disk Drive – Installing 3.5" HDD

For installing 2.5" Hard Disk Drive as option:

- 1) Break off the tab on the HDD interface bracket (see letter **d1**).
- 2) Install the HDD interface bracket from top.
- 3) Secure the bracket with three screws as shown (see letter **d2**).

- 4) Slide the 2.5" HDD into the bracket to align the screw holes with the right and left rail (see letter **d3**).
- 5) Secure the hard disk drive using the four screws for 2.5" HDD (see letter **d4**).

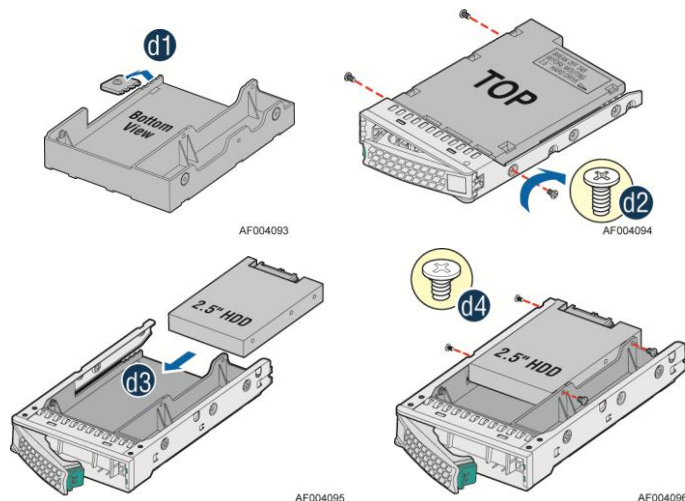


Figure 28. Installing Hard Disk Drive – Installing 2.5" HDD

4. With the lever open, insert the hard disk drive assembly into the chassis (see letter **E**). Push in the lever to lock it into place (see letter **F**).

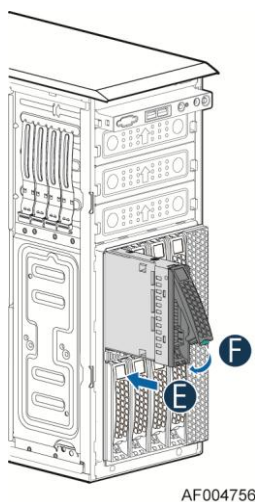


Figure 29. Installing Hard Disk Drive – Inserting 3.5" HDD assembly

Installing and Removing a PCI Add-in Card

Installing a PCI Add-in Card

1. Observe the safety and ESD precautions at the beginning of this manual.
2. Power down the server and unplug all peripheral devices and the AC power cable.
3. Remove the chassis cover. For instructions, see “Removing the System Side Cover”.
4. Remove the airduct by gently lifting the airduct out of chassis.
5. Remove the PCI slot shield from the chassis rear end (see letter **A**).

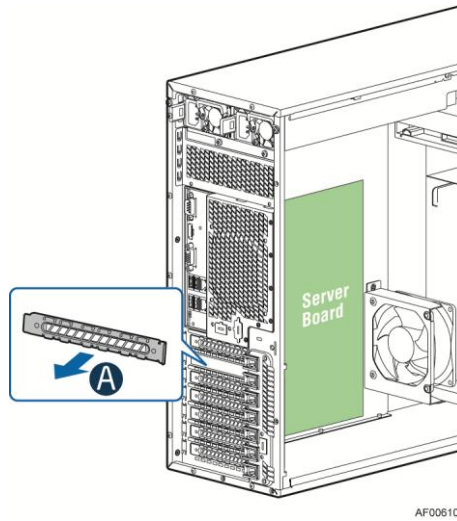


Figure 30. Remove PCI slot shield

6. Open the PCI card retainer (see letter **B**).

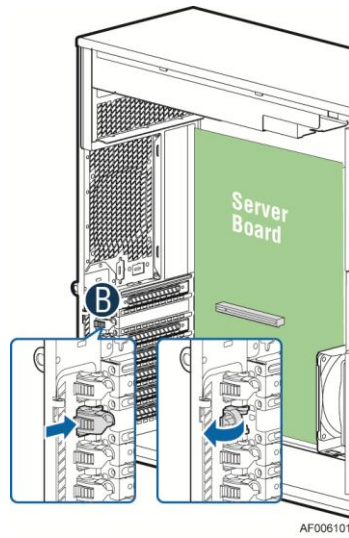


Figure 31. Open PCI card retainer

7. Align the PCI card and insert into place (see letter **C**).
8. Close the PCI card retainer (see letter **D**).

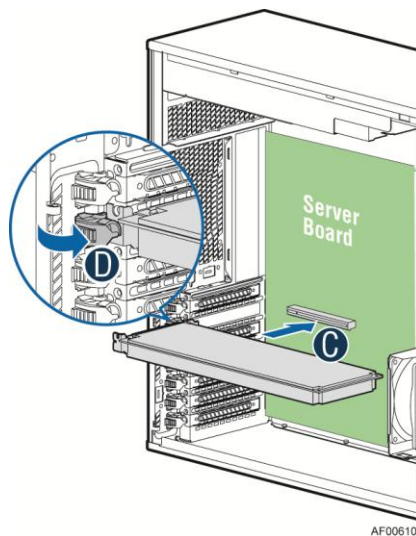


Figure 32. Close PCI card retention device

Removing a PCI Add-in Card

1. Observe the safety and ESD precautions at the beginning of this manual.
2. Power down the server and unplug all peripheral devices and the AC power cable.
3. Remove the chassis cover. For instructions, see Removing the System Side Cover.
4. Open the PCI card retainer. Remove screw if there is one.
5. Gently lift the PCI card from PCI slot.

Installing and Removing an Optical Drive

Cautions: Before removing or replacing the drive, you must first take the server out of service, turn off all peripheral devices connected to the system, turn off the system by pressing the power button, and unplug the power cord from the system or wall outlet.

To maintain proper system cooling, a filler panel must be installed if you do not install a device at this location.

Installing an Optical Drive

1. Remove the O filler (see letter A).

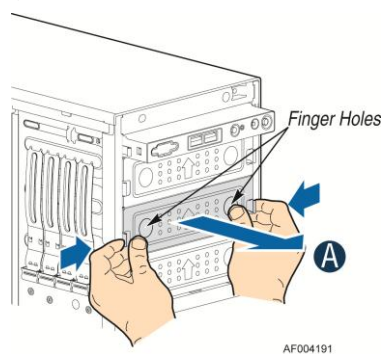


Figure 33. Remove the Optical Drive filler

2. Get the two optical drive rails from chassis side (see letter **B**) and affix them to both optical drive sides, make sure the pinches on the optical drive rail are aligned with the alignment holes on the ODD (see letter **C**).
3. Insert the optical drive into chassis opening and push all the way until it stops (see letter **D**).
4. Connect the power and data cables to optical drive.

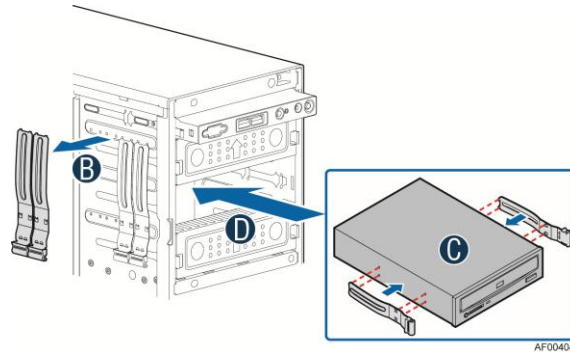


Figure 34. Installing an Optical Drive

Removing an Optical Drive

1. Remove the cables from optical drive.
2. Press the latching end of optical drive rails (see letter **A**) and pull the optical drive out (see letter **B**).
3. Remove the optical drive rail from the drive (see letter **C**).

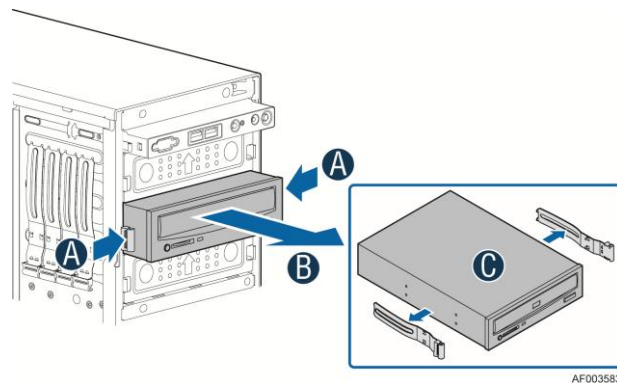


Figure 35. Remove an Optical Drive

4. Install the optical drive filler.

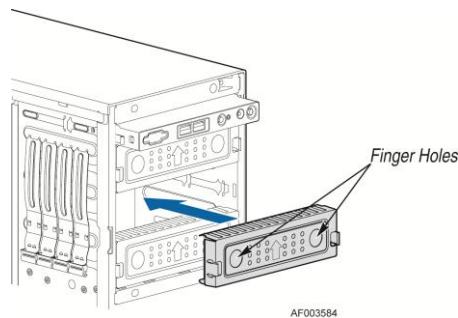


Figure 36. Install optical drive filler

Installing and Removing the Intel® ESRTII RAID SATA Key

Installing the Intel® ESRTII RAID SATA Key

Locate the white 4-pin key header next to the POST diagnostic LEDs. Carefully pick up the key. Match the key and connector orientation and press down to install.

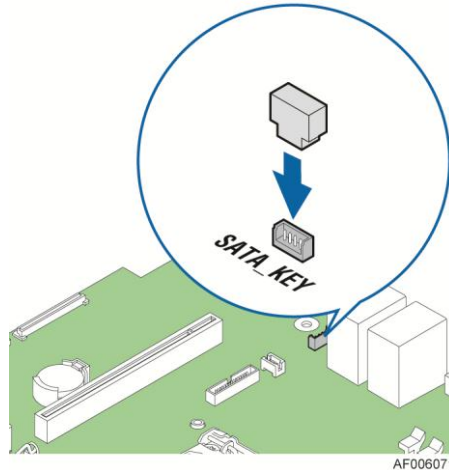


Figure 37. Installing the Intel® ESRTII RAID SATA Key

Removing the Intel® ESRTII RAID SATA Key

Pull up the key to remove it from the mother board.

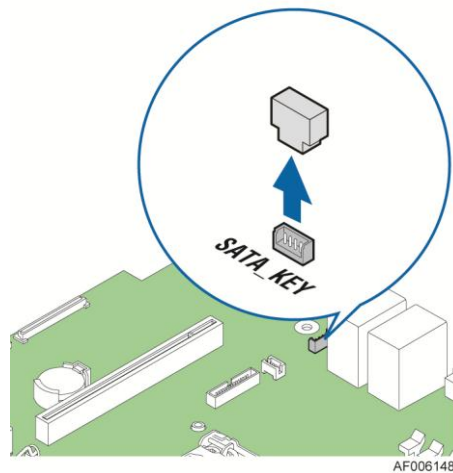


Figure 38. Removing the Intel® ESRTII RAID SATA Key

Installing and Removing the Intel® Remote Management Module 4

Installing the Intel® RMM4 Lite

Locate the RMM4 Lite connector next to the NIC ports, carefully pick up the Intel® RMM4 Lite module and match the alignment pin of the module and the connector on the server board, then press to install.

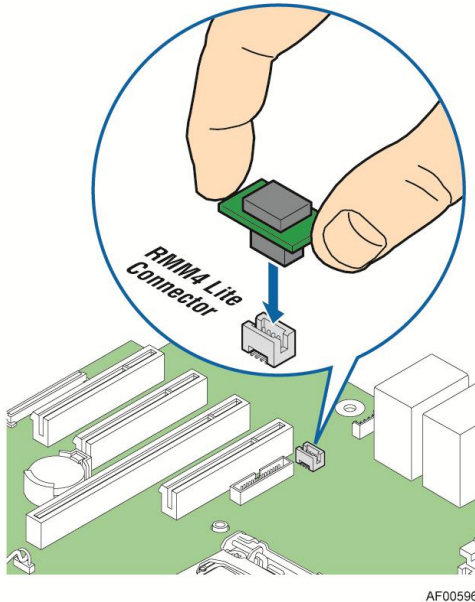


Figure 39. Installing the Intel® RMM4 Lite

Install the Intel® RMM4 NIC

1. Attach the metal fastening bracket to Intel® RMM4 NIC module and secure the bracket with two screws (see letter **A**).
2. Push out and remove the metal cover on the chassis where the NIC RJ-45 receptacle will align (see letter **B**).
3. Connect the cable to the module (see letter **C**).
4. Secure the module to the chassis with the two screws (see letter **D**).
5. Connect the cable to the server board connector (see letter **E**).

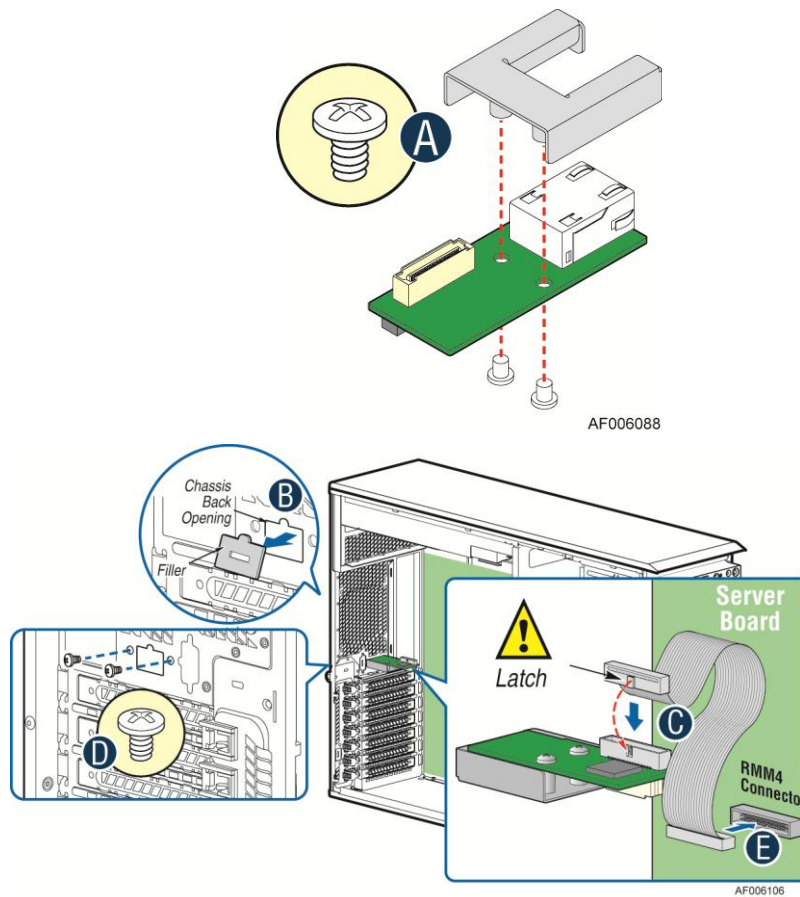


Figure 40. Installing the Intel® RMM4 NIC

Removing the Intel® RMM4 Lite

Pull up the RMM4 Lite module to remove it from the mother board.

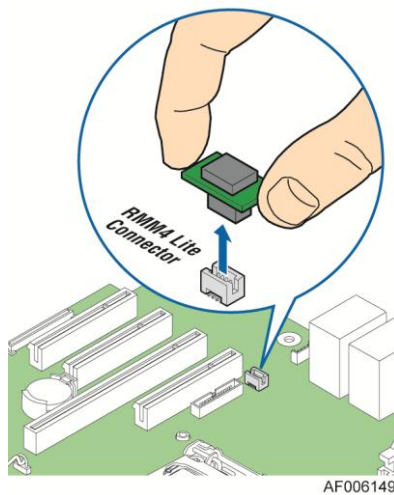


Figure 41. Removing the Intel® RMM4 Lite

Removing the Intel® RMM4 NIC

1. Plug out the cable from the RMM4 NIC connector on the server board (see letter **A**).
2. Loosen the screws on the rear panel of the chassis (see letter **B**).
3. Remove the Intel® RMM4 NIC out and disconnect the other end of the cable (see letter **C**).

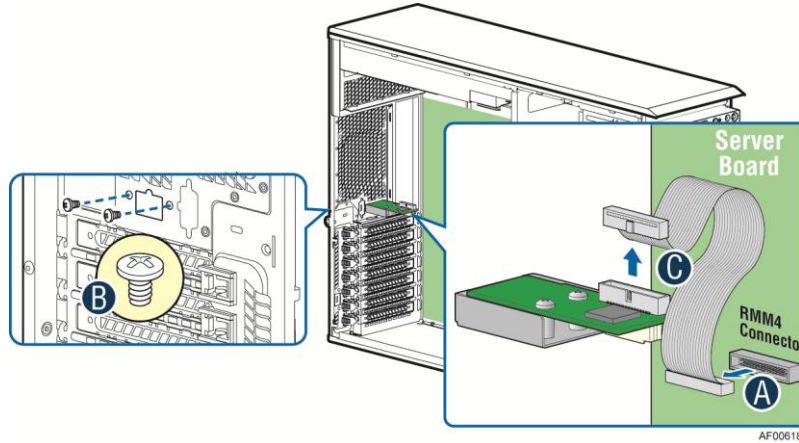


Figure 42. Removing the Intel® RMM4 NIC

Installing and Removing the Intel® RAID Smart Battery

Installing the Intel® RAID Smart Battery

1. Connect the cable between the BBU and the RAID card. For details, see *Intel® RAID Smart Battery User's Guide*.
2. Locate the mounting holes inside the chassis.
3. Align the tabs on the plastic battery holder with the mounting holes in the chassis and slide the plastic battery holder until the tabs engage with the mounting holes (see letter **A**).

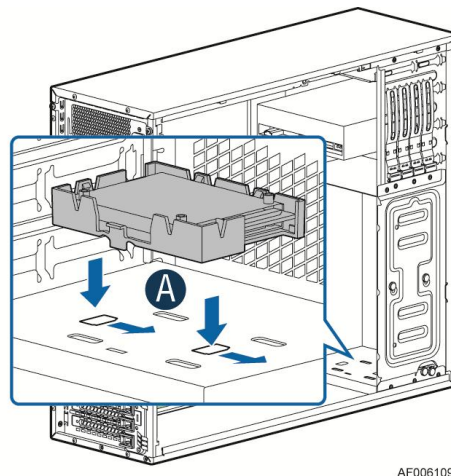
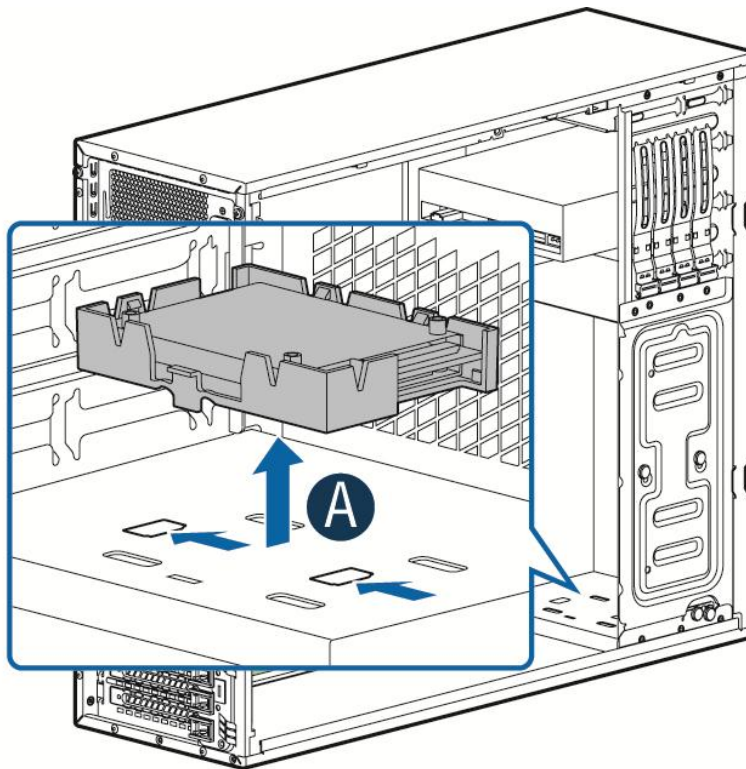


Figure 43. Installing the Intel® RAID Smart Battery

Removing the Intel® RAID Smart Battery

1. Pull the tab until the tab is disengaged from the chassis cut.
2. Slide the battery from the server chassis side wall and move it out of the opening in the fan bulkhead.
3. Lift the battery up to remove it from the server chassis (see letter **A**).



AF006178

Figure 44. Removing the Intel® RAID Smart Battery

Removing and Installing the Fixed Power Supply

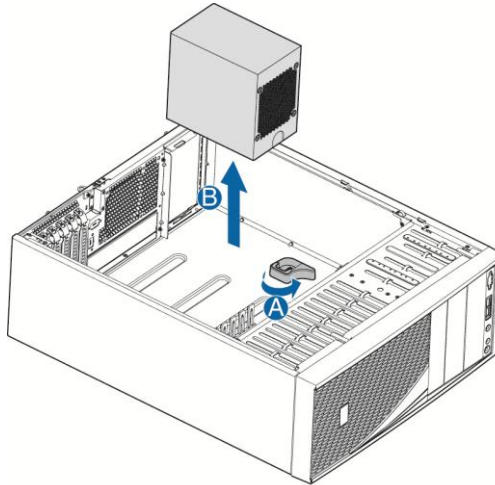
WARNING

Hazardous voltage, current, and energy levels are present inside the power supply. There are no user-serviceable parts inside it; servicing should be done by technically qualified personnel.

Removing the Fixed Power Supply

1. Observe the safety and ESD precautions at the beginning of this manual.
2. Power down the server and unplug all peripheral devices and the AC power cable.
3. Remove the chassis cover. For instructions, see Removing the System Side Cover.
4. Disconnect all internal power cables from chassis components and server board.

5. Rotate the power supply locking device counter-clockwise (see letter **A**) and remove the fixed power supply (see letter **B**).

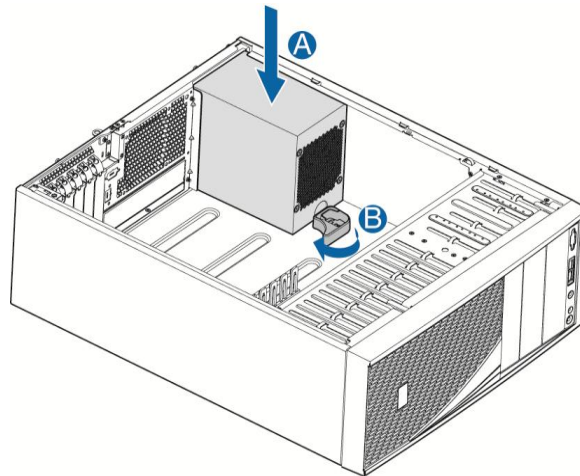


AF003613

Figure 45. Removing Fixed Power Supply

Installing the Fixed Power Supply

1. Insert new fixed power supply and rotate the power supply locking device clockwise (see letter **A** and **B**).



AF003614

Figure 46. Installing Fixed Power Supply

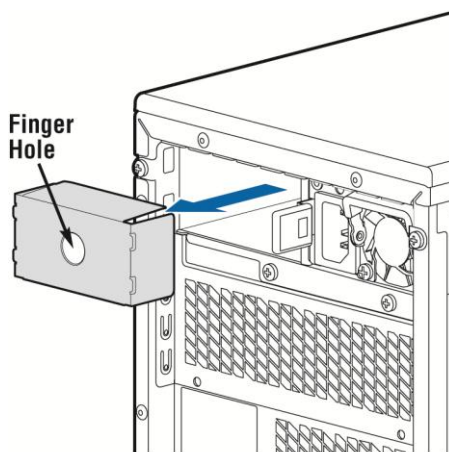
2. Reconnect power cables to other chassis components as appropriate.
3. Install the chassis cover. For instructions, see “Installing the System Side Cover”.
4. Plug all peripheral devices and the AC power cable into the server.
5. Power up the server.

Installing an Additional Hot-swap Power Supply Module

WARNING

Hazardous voltage, current, and energy levels are present inside the power supply. There are no user-serviceable parts inside it; servicing should be done by technically qualified personnel.

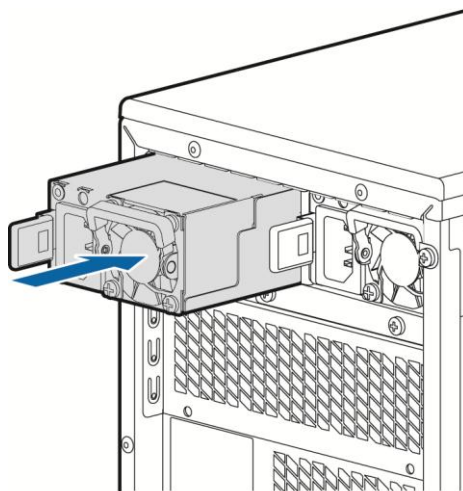
1. Observe the safety and ESD precautions at the beginning of this manual.
2. Insert finger into finger hole in middle of filler panel and remove the filler panel from chassis.



AF004206

Figure 47. Removing Power Supply Filler Panel

3. Insert the power supply module into the power supply cage and push all the way until it clicks into place.



AF004207

Figure 48. Installing Additional Hot-swap Power Supply Module

Replacing a Hot Swap Power Supply Module

WARNING

Hazardous voltage, current, and energy levels are present inside the power supply. There are no user-serviceable parts inside it; servicing should be done by technically qualified personnel.

1. Observe the safety and ESD precautions at the beginning of this manual.
2. Remove power cable from defective power supply.
3. Press up on green latch in the direction shown while pulling on handle to remove hot swap power supply from chassis.

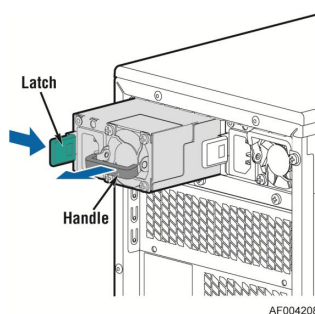


Figure 49. Removing Hot-swap Power Supply Module from Chassis

4. Insert new power supply module into the power supply cage and push all the way until it clicks into place.

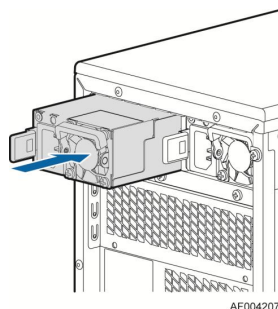


Figure 50. Installing Hot-swap Power Supply Module into Chassis

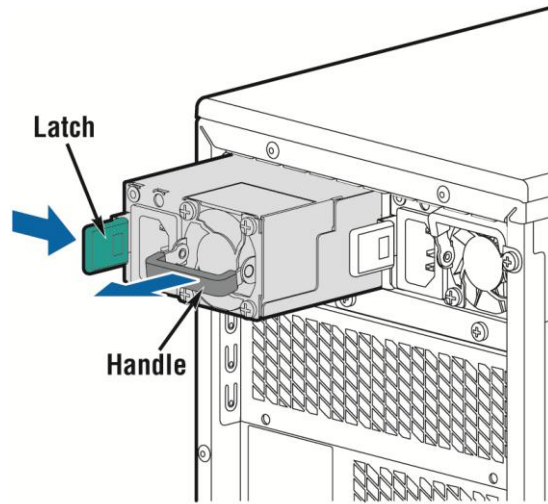
Replacing the Power Distribution Board

WARNING

Hazardous voltage, current, and energy levels are present inside the power supply. There are no user-serviceable parts inside it; servicing should be done by technically qualified personnel.

1. Observe the safety and ESD precautions at the beginning of this manual.
2. Power down the server and unplug all peripheral devices and the AC power cable.
3. Remove the chassis cover. For instructions, see Removing the System Side Cover.
4. Disconnect all internal power cables from chassis components and server board.

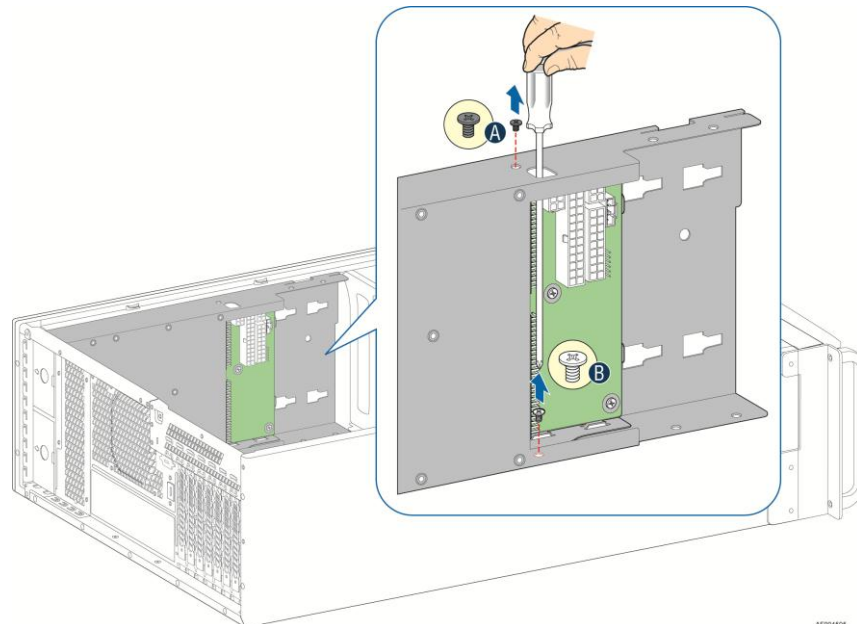
5. If present, press on green latch in the direction shown while pulling on handle to remove power supply from chassis. Repeat this step for the second hot-swap power supply if it is installed.



AF004208

Figure 51. Removing Hot-swap Power Supply Module from Chassis

6. Loosen screws securing the bracket with power distribution board to the chassis (see letter A and B).



AF004595

Figure 52. Loosening the Bracket with Power Distribution Board from Chassis

7. Push the bracket forward to release the latch that secures the bracket; then pull out the bracket from the chassis (see letter C).

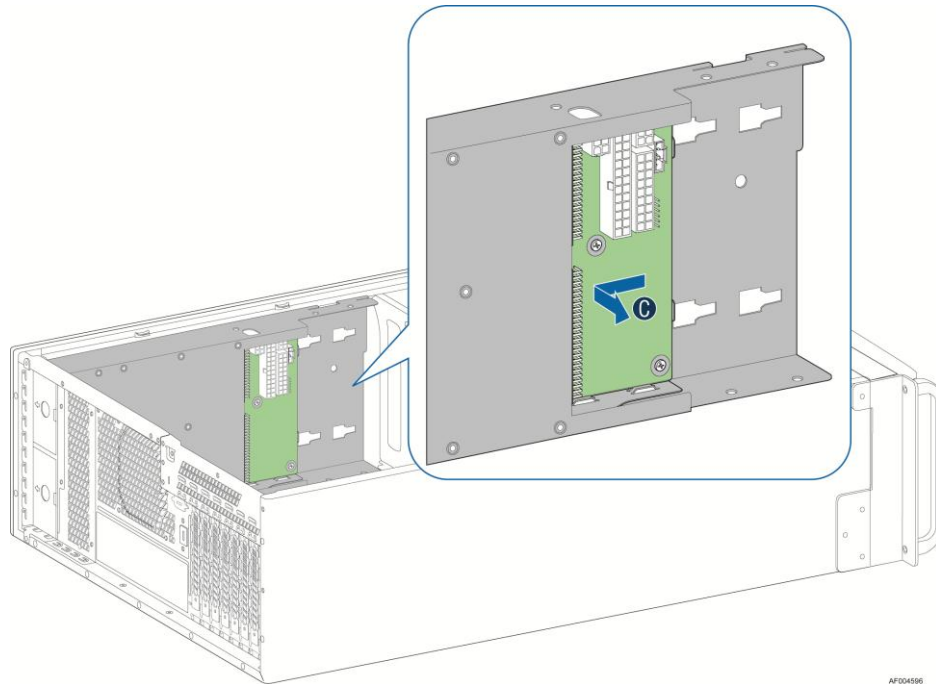


Figure 53. Removing the Bracket with Power Distribution Board from Chassis

8. Loosen screws securing the power distribution board to the bracket, and then remove it from the bracket (see letter D).

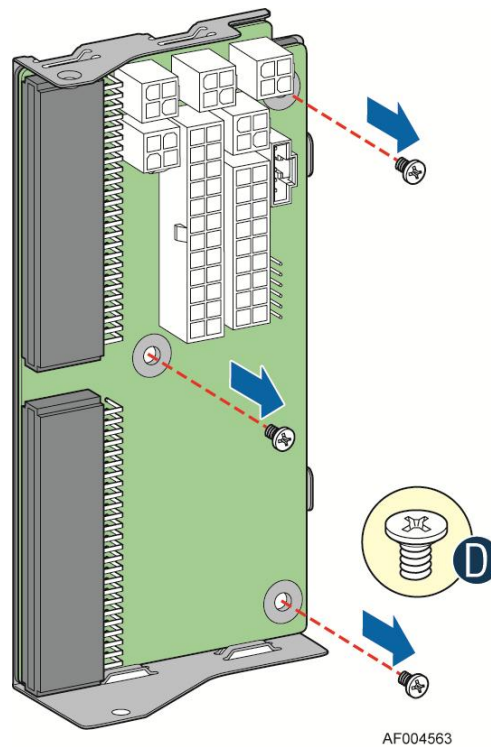
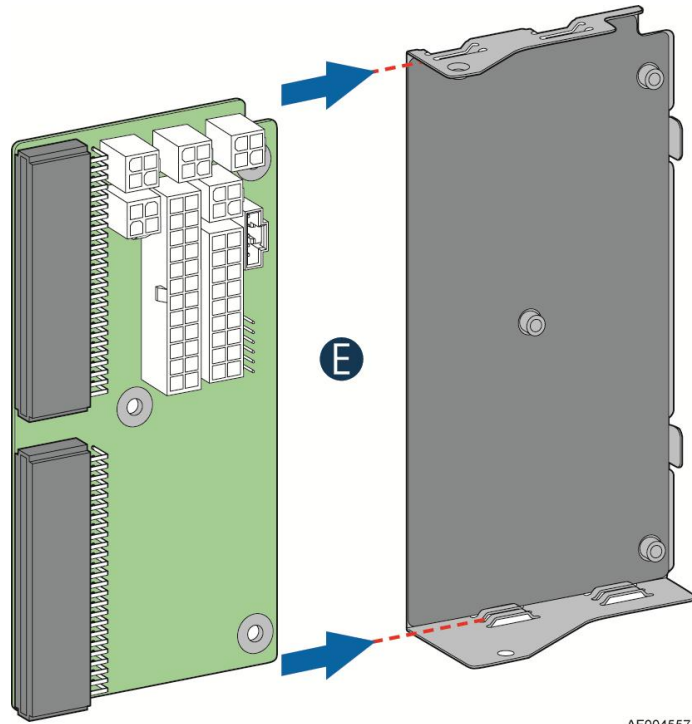


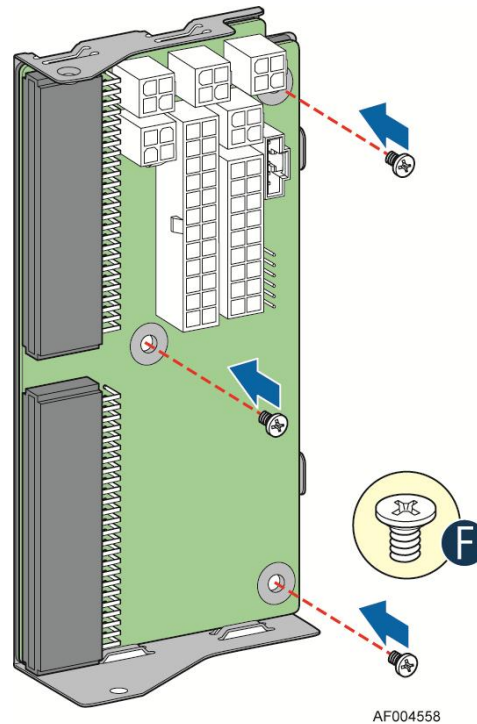
Figure 54. Removing the Power Distribution Board from Bracket

9. Slide the new power distribution board to the bracket (see letter **E**) and secure the new power distribution board to the bracket using the same screws (see letter **F**).



AF004557

Figure 55. Sliding the New Power Distribution Board in Bracket



AF004558

Figure 56. Securing the New Power Distribution Board in Bracket

- Slide the bracket with the new power distribution board all the way into the power supply cage (see letter **G**).

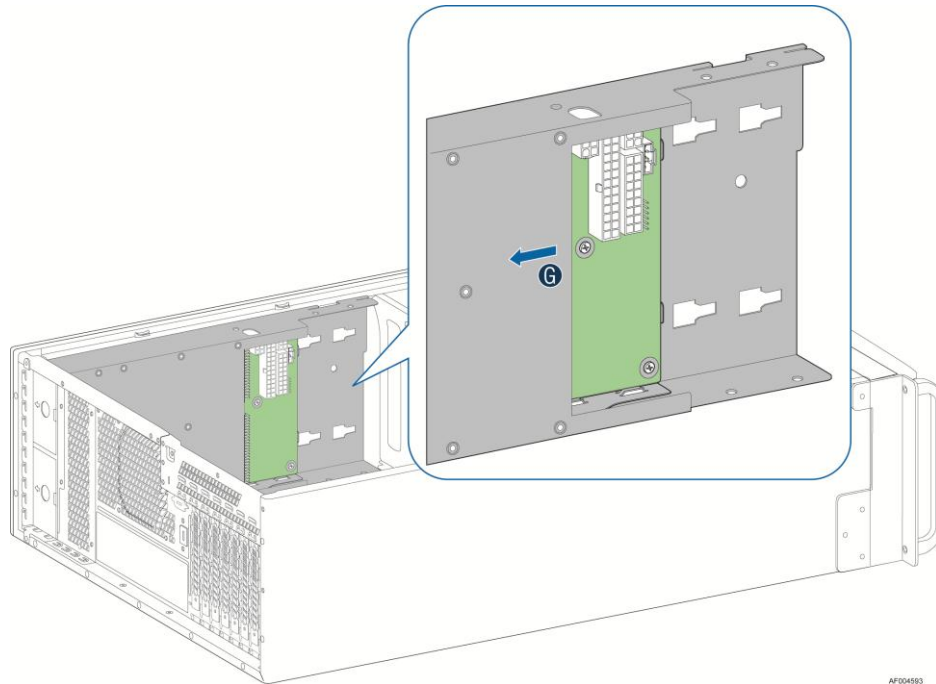


Figure 57. Sliding the Bracket into Power Supply Cage

- Then pull back until the latch on the bracket is engaged with the power supply cage and make sure the screw holes on the bracket is aligned with the screw holes on power supply cage (see letter **H**). And then secure the bracket with the screws (see letter **I** and **J**).

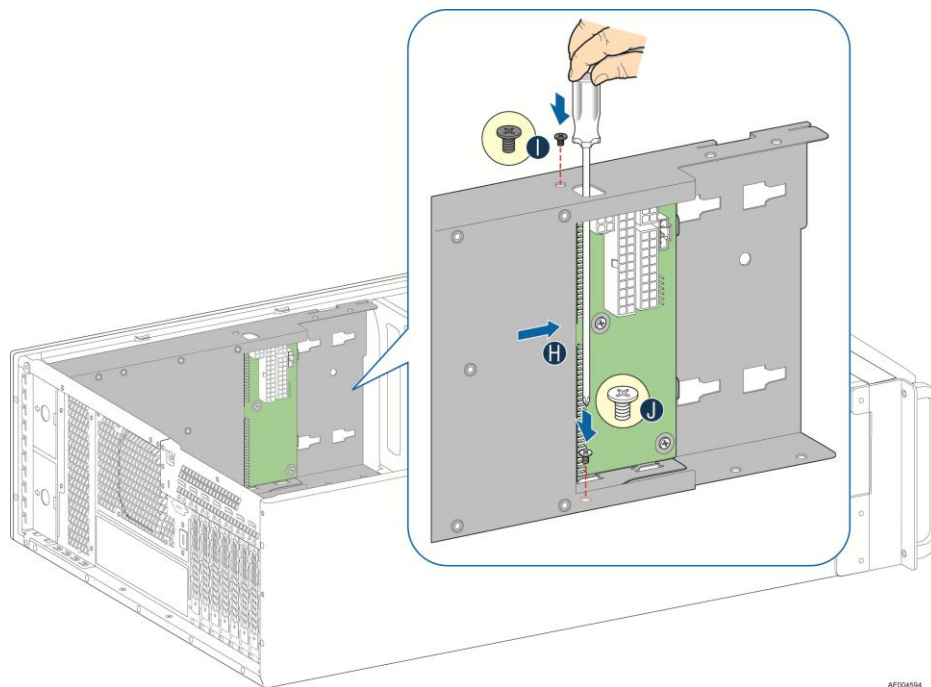
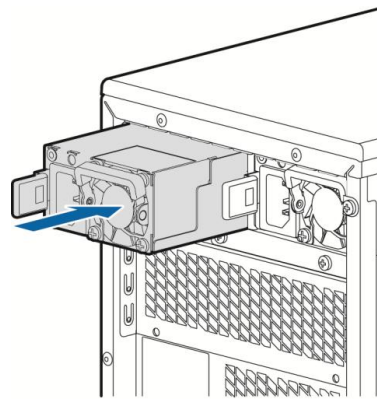


Figure 58. Securing the Bracket into Power Supply Cage

12. Reconnect the power cables as appropriate.
13. Insert the power supply(s) into the power supply cage and push all the way until it clicks into place.



AF004207

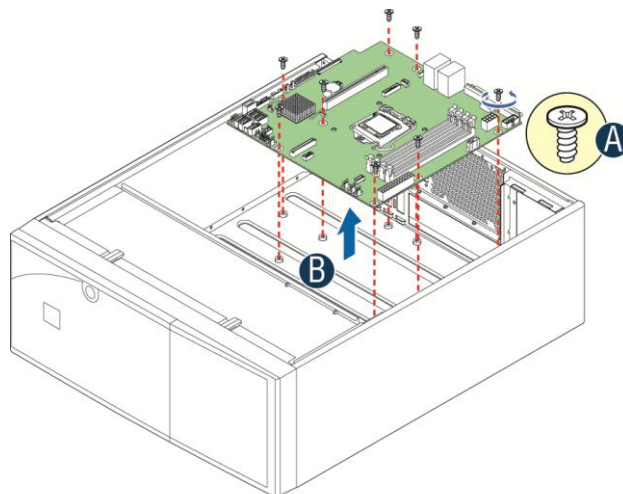
Figure 59. Installing Hot-swap Power Supply Module into Chassis

14. Re-install the chassis cover. For instructions, see Installing the System Side Cover.
15. Plug all peripheral devices and the AC power cable into the server.
16. Power up the server.

Installing and Removing the Server Board

Removing the Server Board

1. Disconnect all cables from the server board.
2. Remove the eight screws from the server board (see letter **A**).
3. Lift the server board from the server system (see letter **B**).

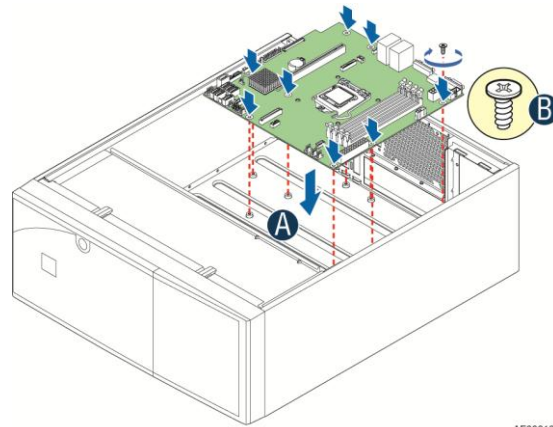


AF006179

Figure 60. Removing the Server Board

Installing the Server Board

1. Make sure the server board bottom side have been attached with bumpers, and screw stand-offs are installed correctly on chassis.
2. Place the server board into the server system (see letter **A**).
3. Secure the server board with nine screws (see letter **B**).



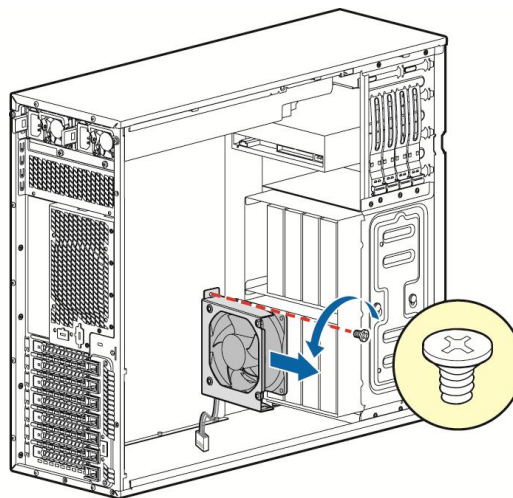
AF006180

Figure 61. Installing the Server Board

Replacing a Fixed Fan

Removing the Fixed Fan

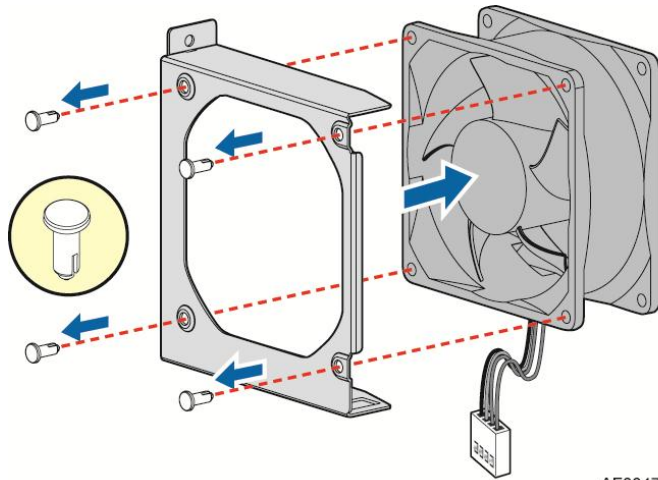
1. Observe the safety and ESD precautions at the beginning of this manual.
2. Power down the server and unplug all peripheral devices and the AC power cable.
3. Remove the chassis cover. For instructions, see Removing the System Side Cover.
4. Locate the rivet on the fan assembly. Remove the screw from inside of the chassis and then take the fan out.



AF006181

Figure 62. Remove the fan from the chassis

- Remove the fan and the rear vent cover under the fan.

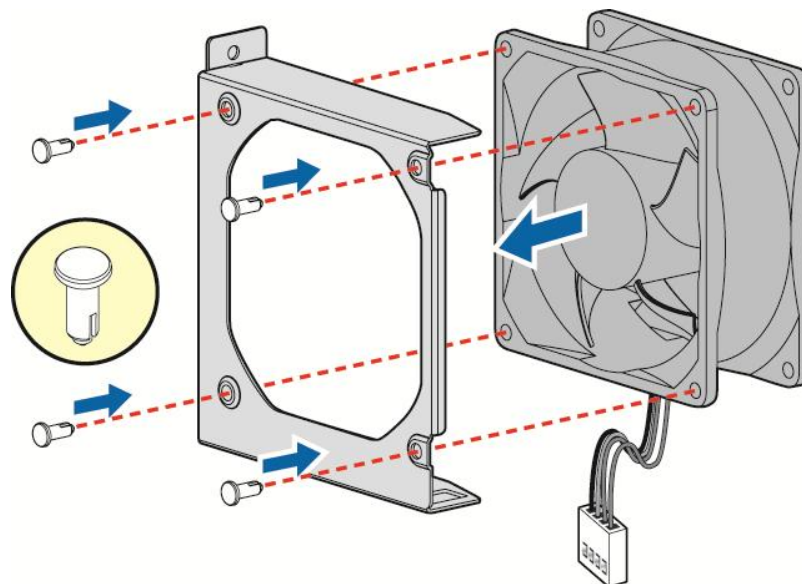


AF004723-1

Figure 63. Removing the fan and the rear vent cover

Installing the Fixed Fan

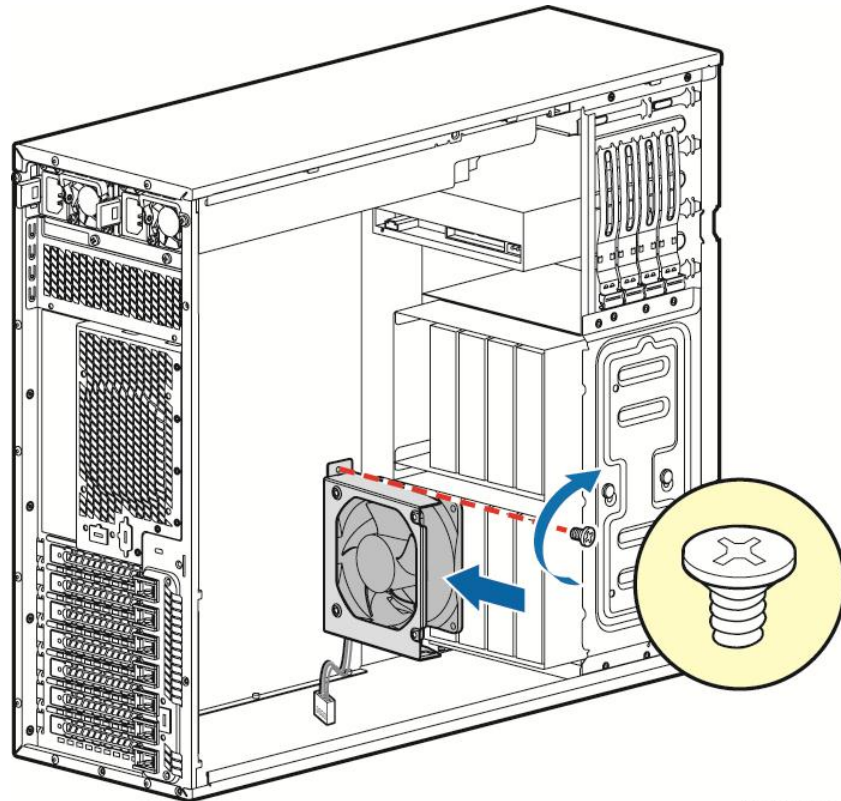
- Observe the safety and ESD precautions at the beginning of this manual.
- Power down the server and unplug all peripheral devices and the AC power cable.
- Remove the chassis cover. For instructions, see Removing the System Side Cover.
- Hold the rear vent cover and the fan in alignment, insert the sleeves of the nylon rivet into the rivet holes, push the nylon rivet-pins into the sleeves.



AF004724-1

Figure 64. Assemble the fan

5. Locate the screw-hole inside the chassis and fix the screw.



AF006182

Figure 65. Fix the fan

Removing and Installing 8x3.5" Hot-swap Hard Drive Cage Assembly

NOTE

This procedure applies only to the Intel® Server System P4308RPLSHDR with 8x3.5" hot-swap hard disk drive cage configuration.

Removing 8x3.5" Hot-swap Hard Drive Cage with Backplane

1. Observe the safety and ESD precautions at the beginning of this manual.
2. Power down the server and unplug all peripheral devices and the AC power cable.
3. Remove the chassis cover. For instructions, see Removing the System Side Cover.
4. Remove the front bezel if it is installed. For instructions, see “Removing the Front Bezel”.
5. Disconnect the power and data cables to the backplane.

6. Use screwdriver to release the hot-swap hard drive cage (see letter **A**) from the chassis and remove the hot-swap hard drive cage (see letter **B**).

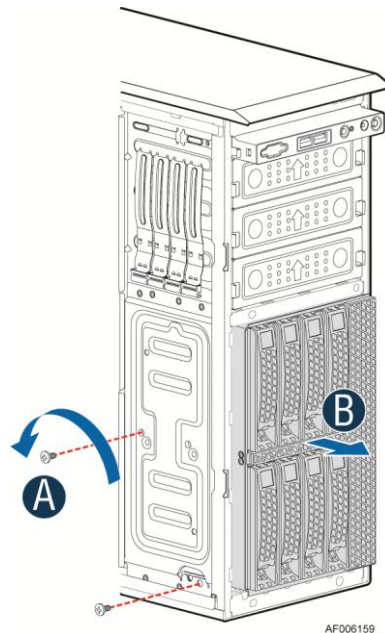


Figure 66. Removing the 8x3.5" HDD Cage

Installing 8x3.5" Hot-swap Hard Drive Cage with Backplane

CAUTION

It is critical that you connect the SAS/SATA data cables correctly from the SAS/SATA backplane to your server board or RAID controller card. Failure to do so may result in data loss.

1. Observe the safety and ESD precautions at the beginning of this manual.
2. Power down the server and unplug all peripheral devices and the AC power cable.
3. Remove the chassis cover. For instructions, see Removing the System Side Cover.
4. Remove the front bezel if it is installed. For instructions, see “Removing the Front Bezel”.
5. Install the 8x3.5" Hot-Swap Hard Drive Cage.
 - 1) Slide the 8x3.5" Hot-Swap Drive Cage into the slot (see letter **A**).
 - 2) Secure the Hard Drive Cage with the Screws (see letter **B**).

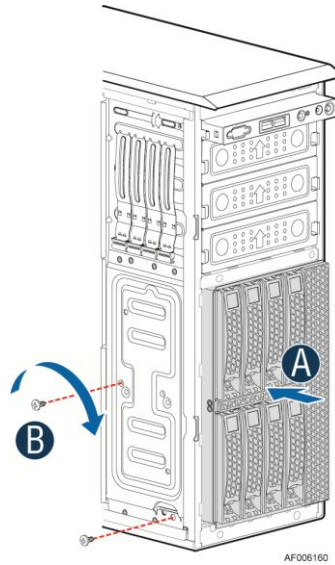


Figure 67. Installing the 8x3.5" Hot-Swap Hard Drive Cage

6. Make the backplane and server board/RAID controller card cable connections. Refer to the documentation that came with your server board and/or RAID controller card for instructions on connecting backplane cables to your server board or RAID controller card.
 - 1) Connect an I²C_IN cable (letter **A**).
 - 2) Connect data cables (letter **B**).
 - 3) Connect power cable (letter **C**).

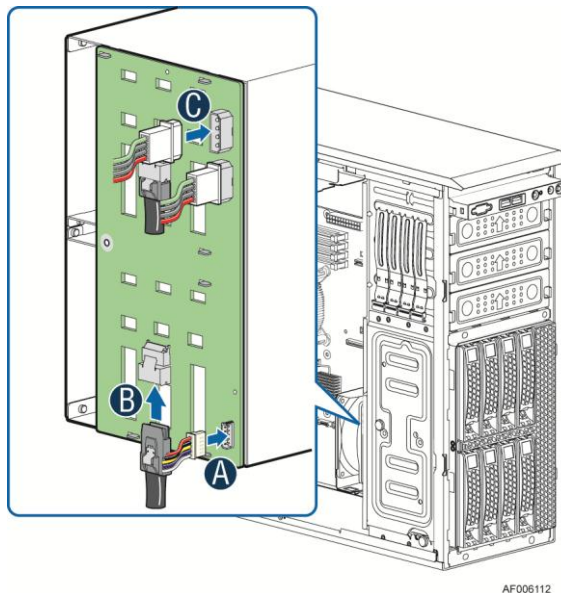


Figure 68. 8x3.5" Hot Swap Backplane Cable Connections

7. Install the front bezel. For instructions, see “Installing the Front Bezel”.
8. Install the chassis cover. For instructions, see Installing the System Side Cover.
9. Plug all peripheral devices and the AC power cable into the server.
10. Power up the server.

Removing and Installing 8x3.5" Hot-swap Backplane

Removing 8x3.5" Hot-swap Backplane

1. Observe the safety and ESD precautions at the beginning of this manual.
2. Power down the server and unplug all peripheral devices and the AC power cable.
3. Remove the chassis cover. For instructions, see Removing the System Side Cover.
4. Remove the front bezel if it is installed. For instructions, see "Removing the Front Bezel".
5. Remove the 8x3.5" Hot-swap Hard drives cage. For instructions, see "Removing 8x3.5" Hot-swap Hard Drive Cage".
6. Remove the screw on the backplane (see letter **A**).
7. Push the backplane (see letter **B**) and remove the backplane from the chassis (see letter **C**).

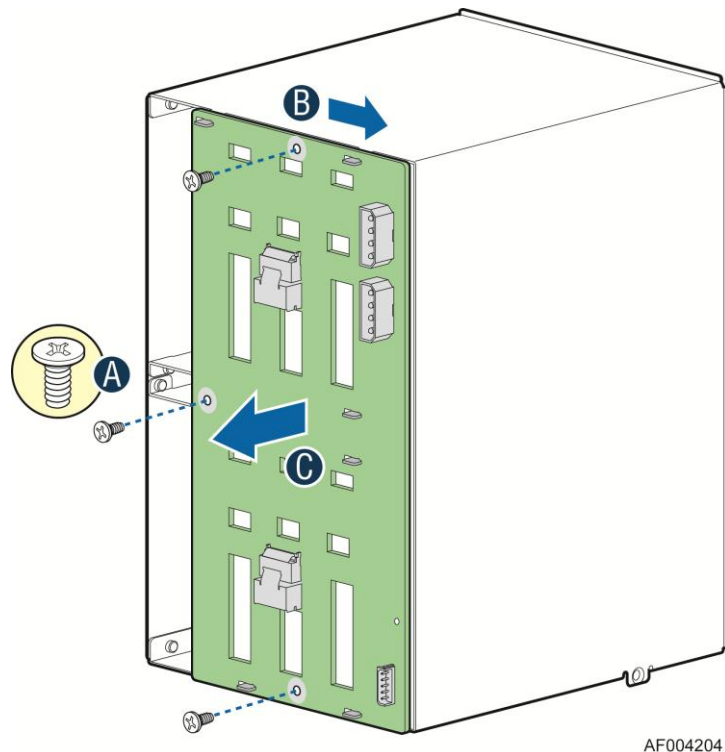
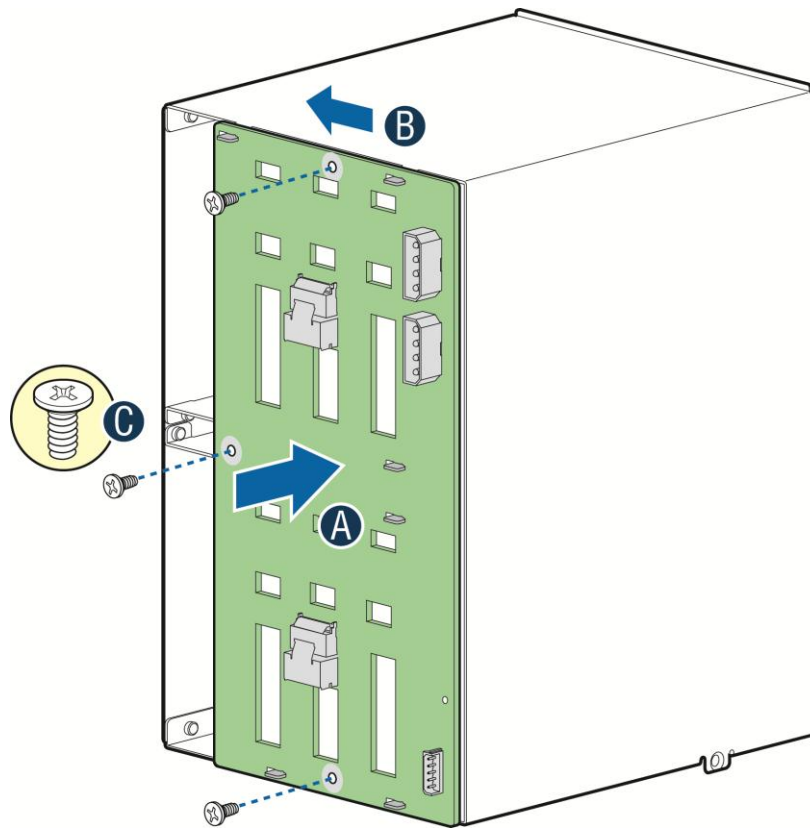


Figure 69. Removing 8x3.5" Hot-swap Backplane

Installing 8x3.5" Hot-swap Backplane

1. Observe the safety and ESD precautions at the beginning of this manual.
2. Power down the server and unplug all peripheral devices and the AC power cable.
3. Remove the chassis cover. For instructions, see Removing the System Side Cover.
4. Remove the front bezel if it is installed. For instructions, see "Removing the Front Bezel".
5. Remove the 8x3.5" Hot-swap Hard drives cage. For instructions, see "Removing 8x3.5" Hot-swap Hard Drive Cage".
6. Attach the backplane to the back side of the hot-swap drive cage, and make sure the hooks on the cage are inserted in the backplane holes (see letter **A**).

7. Push the backplane (see letter **B**) and secure the backplane with the screw (see letter **C**).



AF004205

Figure 70. Installing 8x3.5" Hot-swap Backplane

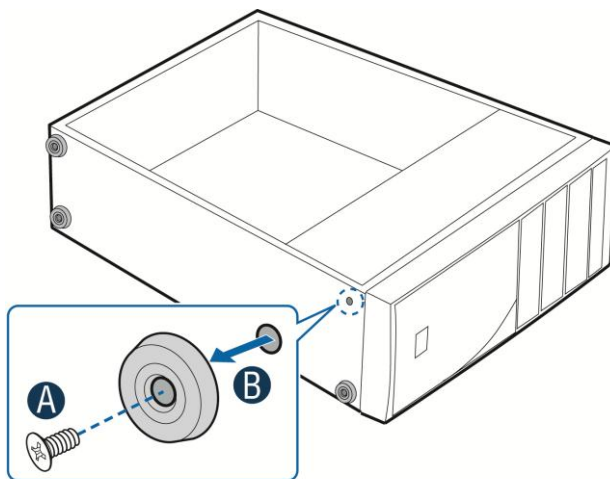
8. Install the 8x3.5" Hot-swap Hard drives cage. For instructions, see “Installing 8x3.5" Hot-swap Hard Drive Cage”.
9. Install the front bezel. For instructions, see “Installing the Front Bezel”.
10. Install the chassis cover. For instructions, see Installing the System Side Cover.
11. Plug all peripheral devices and the AC power cable into the server.
12. Power up the server.

Removing and Installing the Chassis Feet

Removing the Chassis Feet

1. Observe the safety and ESD precautions at the beginning of this manual.
2. Power down the server and unplug all peripheral devices and the AC power cable.
3. Lay the chassis down on its right side.

- Loosen the screws securing the rubber foot to the chassis and then remove the rubber foot from chassis.



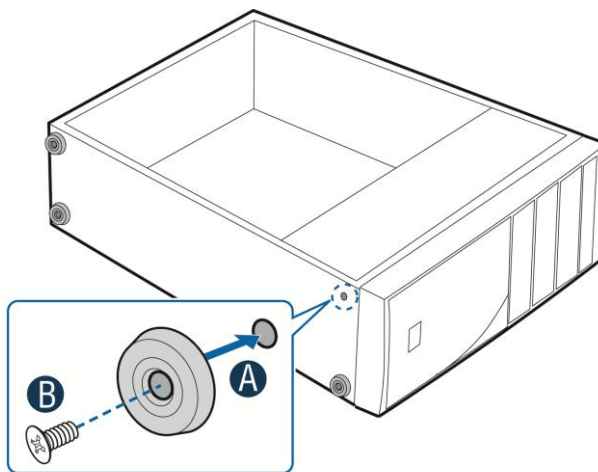
AF004597

Figure 71. Removing the Chassis Feet

- Repeat above steps until all four feet are removed.

Installing the Chassis Feet

- Observe the safety and ESD precautions at the beginning of this manual.
- Power down the server and unplug all peripheral devices and the AC power cable.
- Lay the chassis down on its right side.
- Insert rubber foot into chassis hole (see letter **A**).
- Secure foot by inserting screw through the rubber foot (see letter **B**).
- Repeat above steps until all four feet are installed.



AF003966

Figure 72. Installing the Chassis Feet

- Keep the chassis upright.
- Reconnect all peripheral devices and the AC power cable to the server. Power up the server.

Removing and Installing the Front Panel Tray

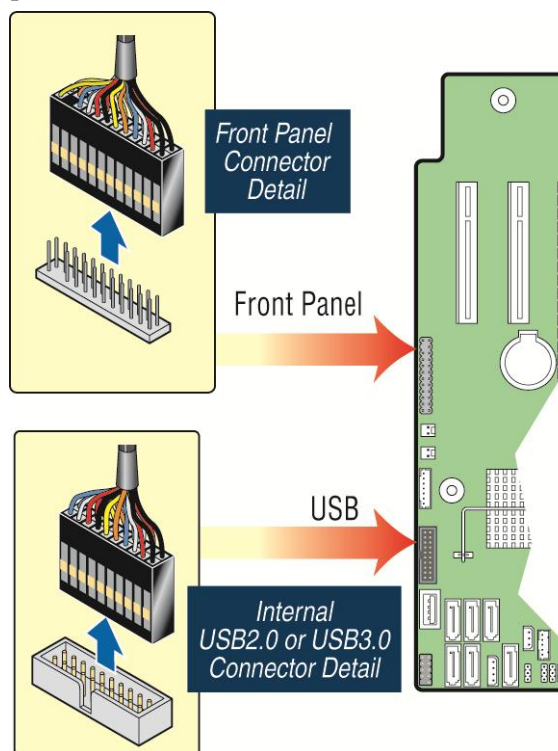


CAUTION

The front panel is NOT hot swappable. Before removing or replacing the control panel, you must first take the server out of service, turn off all peripheral devices connected to the system, turn off the system by pressing the power button, and unplug the AC power cord from the system or wall outlet.

Removing the Front Panel Tray

1. Observe the safety and ESD precautions at the beginning of this manual.
2. Power down the server and unplug all peripheral devices and the AC power cable.
3. Remove the chassis cover. For instructions, see Removing the System Side Cover.
4. Remove the front bezel if it is installed. For instructions, see “Removing the Front Bezel”.
5. Remove the air duct if it is installed.
6. Disconnect the front panel cable, USB cable from the server board.



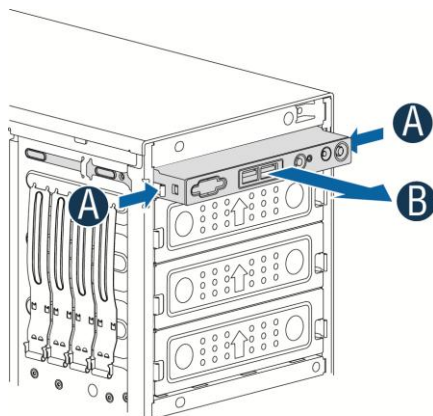
AF006183

Figure 73. Disconnecting the Cables from the Server Board

7. Loosen the front panel cable and USB cable from the wire clip on chassis
8. Press the latch at the sides of the front panel (see letter **A**) and carefully slide the front panel out (see letter **B**).

**CAUTION**

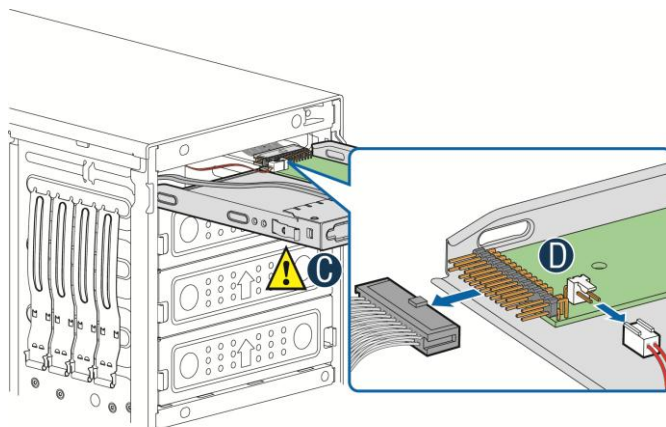
Do not slide the front panel out far from the front of the chassis before you disconnect the instruction cable from the front panel board.



AF003976

Figure 74. Sliding the Front Panel Tray out from the Chassis

9. Slide the front panel out from the front of the chassis to the place (see letter **C**) so that you can reach the front panel cable and intrusion cable connectors at the rear of the front panel. Then disconnect the front panel cable and intrusion switch cable from the front panel board (see letter **D**).



AF003977

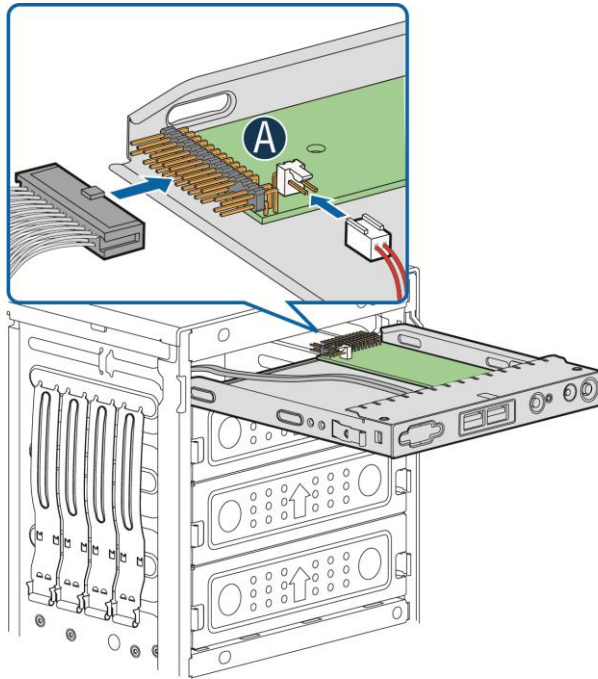
Figure 75. Disconnecting the Cables from Front Panel Board

10. Slide the front panel tray out.

Installing the Front Panel Tray

1. Observe the safety and ESD precautions at the beginning of this manual.
2. Power down the server and unplug all peripheral devices and the AC power cable.
3. Remove the chassis cover. For instructions, see Removing the System Side Cover.
4. Remove the front bezel if it is installed. For instructions, see “Removing the Front Bezel”.

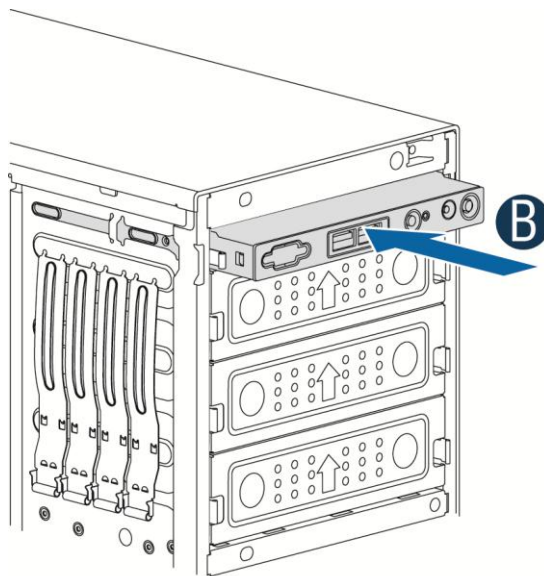
5. Remove the air duct if it is installed.
6. Attach the front panel cable and the chassis intrusion cable (see Letter **A**) to the front panel board.



AF003982

Figure 76. Connecting the Cables to the Front Panel Board

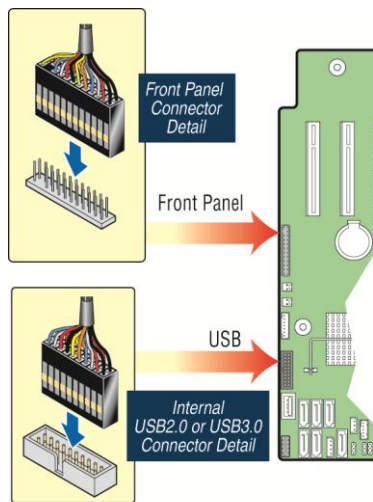
7. Slide the front panel tray in chassis.



AF003983

Figure 77. Installing the Front Panel Tray in Chassis

- Connect the front panel and USB cables to server board.



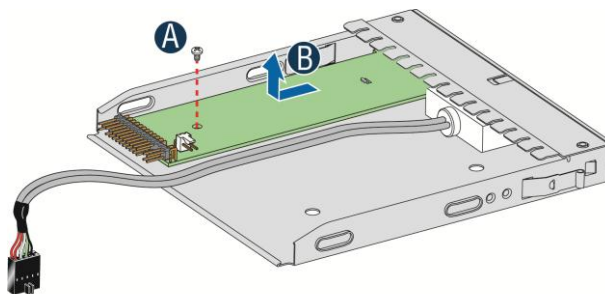
AF006184

Figure 78. Connecting the Cables to Server Board the Front Panel Tray in Chassis

- Install the front bezel. For instructions, see “Removing and Installing the Front Bezel”.
- Install the air duct based on board requirement.
- Install the chassis cover. For instructions, see Installing the System Side Cover.
- Plug all peripheral devices and the AC power cable into the server.
- Power up the server.

Replacing the Front Panel Board

- Observe the safety and ESD precautions at the beginning of this manual.
- Power down the server and unplug all peripheral devices and the AC power cable.
- Remove the chassis cover. For instructions, see Removing the System Side Cover.
- Remove the front bezel if it is installed. For instructions, see “Removing the Front Bezel”.
- Remove the front panel tray if it is installed. For instructions, see “Removing the Front Panel Tray”.
- Loosen the screw (see letter **A**) securing the front panel board and remove the front panel board (see letter **B**).



AF003978

Figure 79. Removing the Front Panel Board

7. Remove the cap on the front panel board power button and install the new cap on the new front panel board power button.

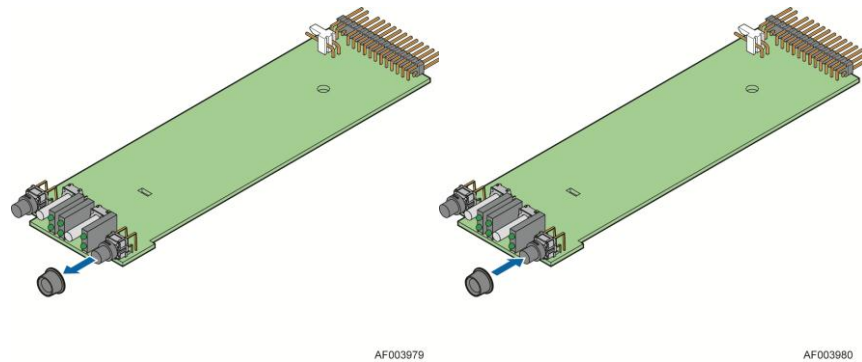
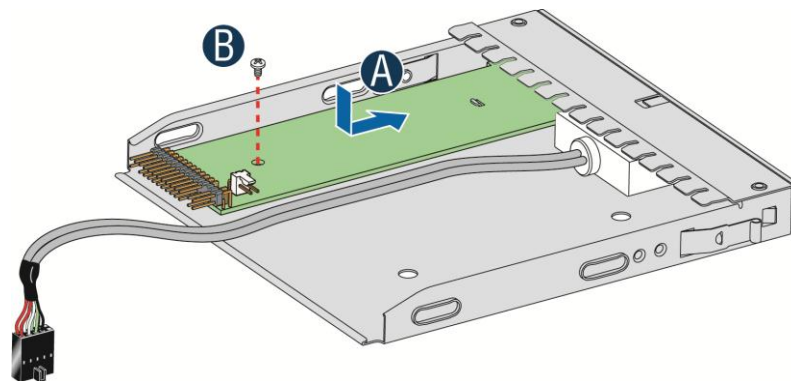


Figure 80. Removing and Installing the Cap on Front Panel Board

8. Attach the new front panel board in the front panel tray (see letter **A**) and secure the new front panel board with the screw (see letter **B**).



AF003981

Figure 81. Installing the New Front Panel Board

9. Installing the front panel tray with the front panel board. For instructions, see “Installing the Front Panel Tray”.
10. Install the front bezel. For instructions, see “Removing and Installing the Front Bezel”.
11. Install the air duct based on board requirement.
14. Install the chassis cover. For instructions, see Installing the System Side Cover.
15. Plug all peripheral devices and the AC power cable into the server.
16. Power up the server.

Installing Alternate Serial Port

1. Observe the safety and ESD precautions at the beginning of this manual.
2. Power down the server and unplug all peripheral devices and the AC power cable.
3. Remove the chassis cover. For instructions, see Removing the System Side Cover.

4. Remove the alternate serial port knockout by pressing the knockout from inside the chassis.

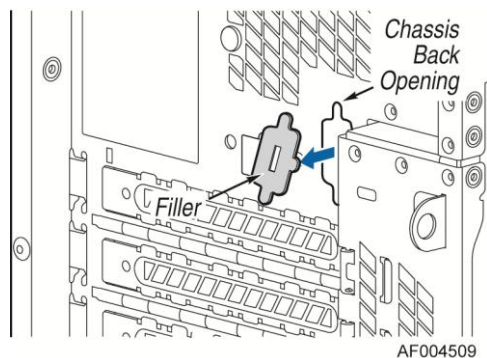


Figure 82. Removing the Alternate Serial Port Knockout

5. Install the serial port on the rear panel of the chassis. And connect the cable to the Serial B Connector on your motherboard.

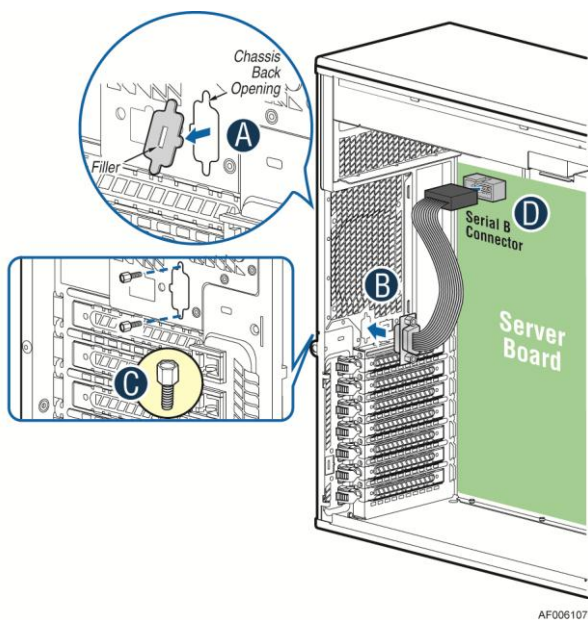


Figure 83. Installing the Alternate Serial Port Knockout

3 Server Utilities

Using the BIOS Setup Utility

This section describes the BIOS Setup Utility options, which is used to change server configuration defaults. You can run BIOS Setup with or without an operating system being present.

Starting Setup

To enter the BIOS Setup using a keyboard (or emulated keyboard), press the <F2> function key during boot time when the OEM or Intel Logo Screen or the POST Diagnostic Screen is displayed.

The following instructional message is displayed on the Diagnostic Screen or under the Quiet Boot Logo Screen:

Press <F2> to enter setup, <F6> Boot Menu, <F12> Network Boot

NOTE

With a USB keyboard, it is important to wait until the BIOS “discovers” the keyboard and beeps – until the USB Controller has been initialized and the USB keyboard activated, key presses will not be read by the system.

When the Setup Utility is entered, the Main screen is displayed initially. However, serious errors cause the system to display the Error Manager screen instead of the Main screen.

It is also possible to cause a boot directly to Setup using an IPMI 2.0 command *Get/Set System Boot Options*. For details on that capability, see the explanation in the IPMI description.

Setup Navigation Keyboard Commands

The bottom right portion of the Setup screen provides a list of commands that are used to navigate through the Setup utility. These commands are displayed at all times.

Each Setup menu page contains a number of features. Each feature is associated with a value field, except those used for informative purposes. Each value field contains configurable parameters. Depending on the security option chosen and in effect by the password, a menu feature’s value may or may not be changed. If a value cannot be changed, its field is made inaccessible and appears grayed out.

Table 5. BIOS Setup: Keyboard Command Bar

Key	Option	Description
<Enter>	Execute Command	The <Enter> key is used to activate submenus when the selected feature is a submenu, or to display a pick list if a selected option has a value field, or to select a subfield for multi-valued features like time and date. If a pick list is displayed, the <Enter> key selects the currently highlighted item, undoes the pick list, and returns the focus to the parent menu.
<Esc>	Exit	The <Esc> key provides a mechanism for backing out of any field. When the <Esc> key is pressed while editing any field or selecting features of a menu, the parent menu is re-entered. When the <Esc> key is pressed in any submenu, the parent menu is re-entered. When the <Esc> key is pressed in any major menu, the exit confirmation window is displayed and the user is asked whether changes can be discarded. If “No” is selected and the <Enter> key is pressed, or if the <Esc> key is pressed, the user is returned to where they were before <Esc> was pressed, without affecting any existing settings. If “Yes” is selected and the

Key	Option	Description
		<Enter> key is pressed, the setup is exited and the BIOS returns to the main System Options Menu screen.
↑	Select Item	The up arrow is used to select the previous value in a pick list, or the previous option in a menu item's option list. The selected item must then be activated by pressing the <Enter> key.
↓	Select Item	The down arrow is used to select the next value in a menu item's option list, or a value field's pick list. The selected item must then be activated by pressing the <Enter> key.
←→	Select Menu	The left and right arrow keys are used to move between the major menu pages. The keys have no effect if a sub-menu or pick list is displayed.
<Tab>	Select Field	The <Tab> key is used to move between fields. For example, <Tab> can be used to move from hours to minutes in the time item in the main menu.
-	Change Value	The minus key on the keypad is used to change the value of the current item to the previous value. This key scrolls through the values in the associated pick list without displaying the full list.
+	Change Value	The plus key on the keypad is used to change the value of the current menu item to the next value. This key scrolls through the values in the associated pick list without displaying the full list. On 106-key Japanese keyboards, the plus key has a different scan code than the plus key on the other keyboards but will have the same effect.
<F9>	Setup Defaults	Pressing the <F9> key causes the following to display: <div style="border: 1px solid black; padding: 10px; margin: 10px auto; width: fit-content;"> <p style="text-align: center;">Load Optimized Defaults? Yes No</p> </div> <p>If “Yes” is highlighted and <Enter> is pressed, all Setup fields are set to their default values. If “No” is highlighted and <Enter> is pressed, or if the <Esc> key is pressed, the user is returned to where they were before <F9> was pressed without affecting any existing field values.</p>
<F10>	Save and Exit	Pressing the <F10> key causes the following message to display: <div style="border: 1px solid black; padding: 10px; margin: 10px auto; width: fit-content;"> <p style="text-align: center;">Save configuration and reset? Yes No</p> </div> <p>If “Yes” is highlighted and <Enter> is pressed, all changes are saved and the Setup is exited. If “No” is highlighted and <Enter> is pressed, or the <Esc> key is pressed, the user is returned to where they were before <F10> was pressed without affecting any existing values.</p>

Setup Screen Menu Selection Bar

The Setup Screen Menu selection bar is located at the top of the BIOS Setup Utility screen. It displays tabs showing the major screen selections available to the user. By using the left and right arrow keys, the user can select the listed screens. Some screen selections are out of the visible menu space, and become available by scrolling to the left or right of the current selections displayed.

BIOS Setup Utility Screens

The following sections describe the screens available in the BIOS Setup utility for the configuration of the server platform.

For each of these screens, there is an image of the screen with a list of Field Descriptions which describe the contents of each item on the screen. Each item on the screen is hyperlinked to the relevant Field Description. Each Field Description is hyperlinked back to the screen image.

These lists follow the following guidelines:

- The text heading for each Field Description is the actual text as displayed on the BIOS Setup screen. This screen text is a hyperlink to its corresponding Field Description.
- The text shown in the Option Values and Help Text entries in each Field Description are the actual text and values are displayed on the BIOS Setup screens.
- In the Option Values entries, the text for default values is shown with an underline. These values do not appear underline on the BIOS Setup screen. The underlined text in this document is to serve as a reference to which value is the default value.
- The Help Text entry is the actual text which appears on the screen to accompany the item when the item is the one in focus (active on the screen).
- The Comments entry provides additional information where it may be helpful. This information does not appear on the BIOS Setup screens.
- Information enclosed in angular brackets (< >) in the screen shots identifies text that can vary, depending on the option(s) installed. For example, <Amount of memory installed> is replaced by the actual value for “Total Memory”.
- Information enclosed in square brackets ([]) in the tables identifies areas where the user must type in text instead of selecting from a provided option.
- Whenever information is changed (except Date and Time), the systems requires a save and reboot to take place in order for the changes to take effect. Alternatively, pressing <ESC> discards the changes and resumes POST to continue to boot the system according to the boot order set from the last boot.


Map of Screens and Functionality

There are a number of screens in the entire Setup collection. They are organized into major categories. Each category has a hierarchy beginning with a top-level screen from which lower-level screens may be selected. Each top-level screen appears as a tab, arranged across the top of the Setup screen image of all top-level screens.

There are more categories than will fit across the top of the screen, so at any given time there will be some categories which will not appear until the user has scrolled across the tabs which are present.

The categories and the screens included in each category are listed below, with links to each of the screens named.

Table 6. Screen Map

Categories (Top Tabs)	2nd Level Screens	3rd Level Screens
Main Screen (Tab)		
Advanced Screen (Tab)		
	Processor Configuration	

Categories (Top Tabs)	2nd Level Screens	3rd Level Screens
↵		
↵	Memory Configuration	
	↵	
↵	Mass Storage Controller Configuration	
↵	PCI Configuration	
	↵	NIC Configuration
↵	Serial Port Configuration	
↵	USB Configuration	
↵	System Acoustic and Performance Configuration	
↵	Network Stack	
Security Screen (Tab)		
Server Management Screen (Tab)		
↵	Console Redirection	
↵	System Information	
↵	BMC LAN Configuration	
Boot Options Screen (Tab)		
↵	CDROM Order	
↵	Hard Disk Order	
↵	Floppy Order	
↵	Network Device Order	
↵	BEV Device Order	
↵	Add EFI Boot Option	
↵	Delete EFI Boot Option	
Boot Manager Screen (Tab)		
Error Manager Screen (Tab)		
Save & Exit Screen (Tab)		

Main Screen (Tab)

The Main Screen is the first screen that appears when the BIOS Setup configuration utility is entered, unless an error has occurred. If an error has occurred, the **Error Manager** Screen appears instead



Figure 84. Main Screen

Screen Field Descriptions:

1. Logged in as:

Option Values: <Administrator / User>

Help Text: <None>

Comments: *Information only.* Displays password level that setup is running in: Administrator or User. With no passwords set, Administrator is the default mode.

Back to [Main Screen] — [Screen Map]

2. Platform ID

Option Values: < Platform ID>

Help Text: <None>

Comments: *Information only.* Displays the Platform ID (Board ID) for the board on which the BIOS is executing POST.

The Platform ID is limited to 8 characters, because it is also used in the ACPI Tables which have that limitation. In some cases, this means that the Platform ID is abbreviated from the marketing designation.

[Back to \[Main Screen\]](#) — [\[Screen Map\]](#)

3. Primary BIOS Version

Option Values: <Current BIOS version ID>

Help Text: <None>

Comments: *Information only.* The primary BIOS version displayed uniquely identifies the primary BIOS that is currently installed and operational on the board. The version information displayed is taken from the BIOS ID String, with the timestamp segment dropped off. The segments displayed are:

Platform: Identifies that this is the correct platform BIOS

86B: Identifies this BIOS as being an EPSD Server BIOS

xx: Major Revision level of the BIOS

yy: Release Revision level for this BIOS

zzzz: Release Number for this BIOS

[Back to \[Main Screen\]](#) — [\[Screen Map\]](#)

4. Backup BIOS Version

Option Values: <Current BIOS version ID>

Help Text: <None>

Comments: *Information only.* The Backup BIOS version displayed uniquely identifies the backup BIOS that is currently installed and operational on the board. The version information displayed is taken from the BIOS ID String, with the timestamp segment dropped off. The segments displayed are:

Platform: Identifies that this is the correct platform BIOS

86B: Identifies this BIOS as being an EPSD Server BIOS

xx: Major Revision level of the BIOS

yy: Release Revision level for this BIOS

zzzz: Release Number for this BIOS

[Back to \[Main Screen\]](#) — [\[Screen Map\]](#)

5. Build Date

Option Values: <Date and time when the currently installed BIOS was created (built)>

Help Text: <None>

Comments: *Information only.* The time and date displayed are taken from the timestamp segment of the BIOS ID String.

[Back to \[Main Screen\]](#) — [\[Screen Map\]](#)

6. Total Memory

Option Values: <Amount of memory installed in the system>

Help Text: <None>

Comments: *Information only.* Displays the total physical memory installed in the system, in MB or GB. The term physical memory indicates the total memory discovered in the form of installed DDR3 DIMMs.

[Back to \[Main Screen\]](#) — [\[Screen Map\]](#)

7. Quiet Boot

Option Values: **Enabled**
 Disabled

Help Text:

[Enabled] – Display the logo screen during POST.

[Disabled] – Display the diagnostic screen during POST.

Comments: This field controls whether the full diagnostic information is displayed on the screen during POST. When Console Redirection is enabled, the Quiet Boot setting is disregarded and the text mode Diagnostic Screen is displayed unconditionally.

[Back to \[Main Screen\]](#) — [\[Screen Map\]](#)

8. POST Error Pause

Option Values: Enabled
 Disabled

Help Text:

[Enabled] – Go to the Error Manager for critical POST errors.

[Disabled] – Attempt to boot and do not go to the Error Manager for critical POST errors.

Comments: If enabled, the POST Error Pause option takes the system to the error manager to review the errors when major errors occur. Minor and fatal error displays are not affected by this setting.

[Back to \[Main Screen\]](#) — [\[Screen Map\]](#)

9. System Date

Option Values: <System Date initially displays the current system calendar date, including the day of the week>

Help Text:

System Date has configurable fields for the current Month, Day, and Year.

The year must be between 2005 and 2099.

Use [Enter] or [Tab] key to select the next field.

Use [+] or [-] key to modify the selected field.

Comments: This field will initially display the current system day of week and date. It may be edited to change the system date. When the System Date is reset by the “BIOS Defaults” jumper, BIOS Recovery Flash Update, or other method, the date will be the earliest date in the allowed range – *Saturday 01/01/2005*.

[Back to \[Main Screen\]](#) — [\[Screen Map\]](#)

10. System Time

Option Values: <System Time initially displays the current system time of day, in 24-hour format>

Help Text:

System Time has configurable fields for Hours, Minutes, and Seconds.

Hours are in 24-hour format.

Use the [Enter] or [Tab] key to select the next field.

Use the [+] or [-] key to modify the selected field.

Comments: This field will initially display the current system time (24 hour time). It may be edited to change the system time. When the System Time is reset by the “BIOS Defaults” jumper, BIOS Recovery Flash Update, or other method, the time will be the earliest time of day in the allowed range – **00:00:00** (although the time will be updated beginning from when it is reset early in POST).

Back to [Main Screen] — [Screen Map]

Advanced Screen (Tab)

The Advanced screen provides an access point to configure several groups of options. On this screen, the user can select the option group to be configured. Configuration actions are performed on the selected screen, and not directly on the Advanced screen.

This screen is the same for all board series, selecting between the same groups of options, although the options for different boards are not necessarily identical.

To access this screen from the **Main** screen or other top-level “Tab” screen, press the right or left arrow keys to traverse the tabs at the top of the Setup screen until the **Advanced** screen is selected.

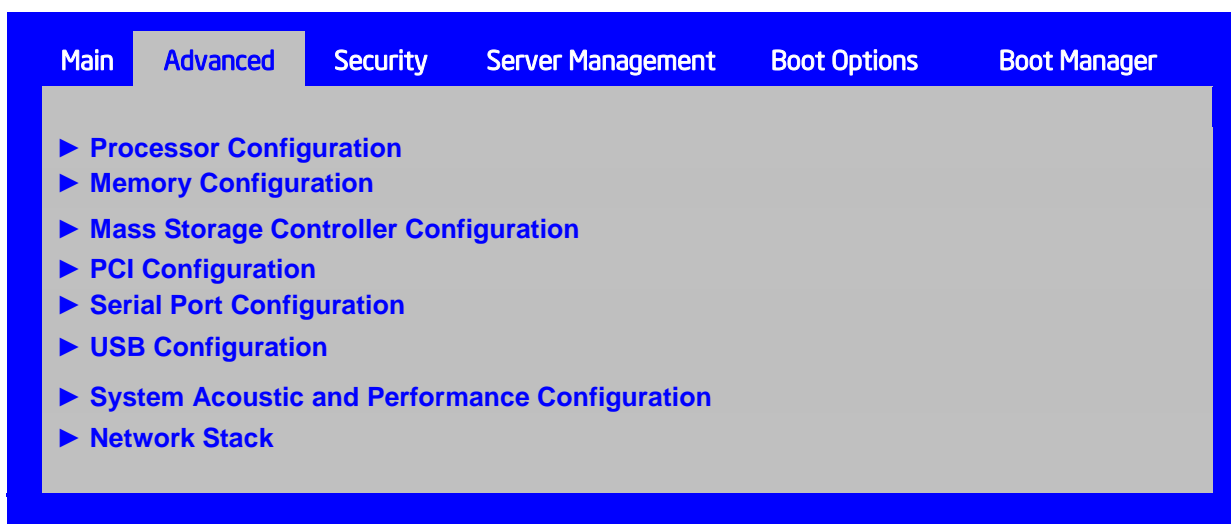


Figure 85. Advanced Screen

Screen Field Descriptions:

1. Processor Configuration

Option Values: <None>

Help Text: *View/Configure processor information and settings.*

Comments: Selection only. Select this line and press the <Enter> key to go to the **Processor Configuration** group of configuration settings.

[Back to \[Advanced Screen\]](#) — [\[Screen Map\]](#)

2. Memory Configuration

Option Values: <None>

Help Text:

View/Configure memory information and settings.

Comments: Selection only. Select this line and press the <Enter> key to go to the **Memory Configuration** group of configuration settings.

[Back to \[Advanced Screen\]](#) — [\[Screen Map\]](#)

3. Mass Storage Controller Configuration

Option Values: <None>

Help Text:

View/Configure mass storage controller information and settings.

Comments: Selection only. Select this line and press the <Enter> key to go to the **Mass Storage Controller Configuration** group of configuration settings.

[Back to \[Advanced Screen\]](#) — [\[Screen Map\]](#)

4. PCI Configuration

Option Values: <None>

Help Text:

View/Configure PCI information and settings.

Comments: Selection only. Select this line and press the <Enter> key to go to the **PCI Coonfiguration** group of configuration settings.

[Back to \[Advanced Screen\]](#) — [\[Screen Map\]](#)

5. Serial Port Configuration

Option Values: <None>

Help Text:

View/Configure serial port information and settings.

Comments: Selection only. Select this line and press the <Enter> key to go to the **Serial Port Configuration** group of configuration settings.

[Back to \[Advanced Screen\]](#) — [\[Screen Map\]](#)

6. USB Configuration

Option Values: <None>

Help Text:

View/Configure USB information and settings.

Comments: Selection only. Select this line and press the <Enter> key to go to the **USB Configuration** group of configuration settings.

[Back to \[Advanced Screen\]](#) — [\[Screen Map\]](#)

7. System Acoustic and Performance Configuration

Option Values: <None>

Help Text:

View/Configure system acoustic and performance information and settings.

Comments: Selection only. Select this line and press the <Enter> key to go to the **System Acoustic and Performance Configuration** group of configuration settings.

Back to [Advanced Screen] — [Screen Map]

8. Network Stack

Option Values: <None>

Help Text:

Network Stack Settings.

Comments: Selection only. Select this line and press the <Enter> key to go to the **NetWork Stack** group of configuration settings.

Back to [Advanced Screen] — [Screen Map]

Processor Configuration

The Processor Configuration screen displays the processor identification and microcode level, core frequency, cache sizes information for all processors currently installed. It also allows the user to enable or disable a number of processor options.

To access this screen from the **Main** screen, select **Advanced > Processor Configuration**. To move to another screen, press the <Esc> key to return to the **Advanced** screen, then select the desired screen.

The Processor Configuration screen will display different fields for single-socket, 2- socket and 4-socket boards shown as below Figures.



Figure 86. Processor Configuration Screen

Screen Field Descriptions:

1. Processor ID
Option Values: <CPUID>

Help Text: <None>
 Comments: *Information only.* Displays the Processor Signature value (from the CPUID instruction) identifying the type of processor and the stepping.
 S1200V3RP series boards have a single Processor ID display.

[Back to \[Advanced Screen\]](#) — [\[Screen Map\]](#)

2. Processor Frequency

Option Values: <Current Processor Operating Frequency>
 Help Text: <None>
 Comments: *Information only.* Displays current operating frequency of the processor.

[Back to \[Advanced Screen\]](#) — [\[Screen Map\]](#)

3. Microcode Revision

Option Values: <Microcode Revision Number>
 Help Text: <None>
 Comments: *Information only.* Displays Revision Level of the currently loaded processor microcode.

[Back to \[Advanced Screen\]](#) — [\[Screen Map\]](#)

4. L1 Cache RAM

Option Values: <L1 cache size>
 Help Text: <None>
 Comments: *Information only.* Displays size in KB of the processor L1 Cache. Since L1 cache is not shared between cores, this is shown as the amount of L1 cache per core. There are two types of L1 cache, so this amount is the total of L1 Instruction Cache plus L1 Data Cache for each core.

[Back to \[Advanced Screen\]](#) — [\[Screen Map\]](#)

5. L2 Cache RAM

Option Values: <L2 cache size>
 Help Text: <None>
 Comments: *Information only.* Displays size in KB of the processor L2 Cache. Since L2 cache is not shared between cores, this is shown as the amount of L2 cache per core.

[Back to \[Advanced Screen\]](#) — [\[Screen Map\]](#)

6. L3 Cache RAM

Option Values: <L3 cache size>
 Help Text: <None>
 Comments: *Information only.* Displays size in MB of the processor L3 Cache. Since L3 cache is shared between all cores in a processor package, this is shown as the total amount of L3 cache per processor package.

[Back to \[Advanced Screen\]](#) — [\[Screen Map\]](#)

7. Processor Version

Option Values: <ID string from processor>

Help Text: <None>
Comments: *Information only.* Displays Brand ID string read from processor with CPUID instruction.

[Back to \[Advanced Screen\]](#) — [\[Screen Map\]](#)

8. CPU Core Ratio

Option Values: [0 – 63]

Help Text:
Enter Core Ratio Multiplier. 0 - 63.

Comments: In order for this option to be available, Show CPU Core Ratio must be **Enabled**.

[Back to \[Advanced Screen\]](#) — [\[Screen Map\]](#)

9. Show CPU Core Ratio

Option Values: Enabled
Disabled

Help Text:
Allow Edits to Core Ratio Multiplier.

Comments:
[Back to \[Advanced Screen\]](#) — [\[Screen Map\]](#)

10. Intel(R) Turbo Boost Technology

Option Values: **Enabled**
Disabled

Help Text:
Intel (R) Turbo Boost Technology allows the processor to automatically increase its frequency if it is running below power, temperature, and current specifications.

Comments: This option is only visible if all processors installed in the system support Intel® Turbo Boost Technology. In order for this option to be available, Enhanced Intel® SpeedStep® Technology must be **Enabled**.

[Back to \[Advanced Screen\]](#) — [\[Screen Map\]](#)

11. Enhanced Intel SpeedStep(R) Tech

Option Values: **Enabled**
Disabled

Help Text:
Enhanced Intel SpeedStep (R) Technology allows the system to dynamically adjust processor voltage and core frequency, which can result in decreased average power consumption and decreased average heat production.

Contact your OS vendor regarding OS support of this feature.

Comments: When Disabled, the processor setting reverts to running at Maximum TDP Core Frequency (rated frequency).

This option is only visible if all processors installed in the system support Enhanced Intel® SpeedStep® Technology. In order for the Intel® Turbo Boost option to be available, Enhanced Intel® SpeedStep® Technology must be **Enabled**.

[Back to \[Advanced Screen\]](#) — [\[Screen Map\]](#)

12. Processor C3

Option Values: Enabled
 Disabled

Help Text:

Enable/Disable Processor C3 (ACPI C2/C3) report to OS

Comments: This is normally **Disabled** but can be **Enabled** for improved performance on certain benchmarks and in certain situations.

[Back to \[Advanced Screen\]](#) — [\[Screen Map\]](#)

13. Processor C6

Option Values: **Enabled**
 Disabled

Help Text:

Enable/Disable Processor C6 (ACPI C3) report to OS

Comments: This is normally **Enabled** but can be **Disabled** for improved performance on certain benchmarks and in certain situations.

[Back to \[Advanced Screen\]](#) — [\[Screen Map\]](#)

14. Intel(R) Hyper-Threading Tech

Option Values: **Enabled**
 Disabled

Help Text:

Intel (R) Hyper-Threading Technology allows multithreaded software applications to execute threads in parallel within each processor.

Contact your OS vendor regarding OS support of this feature.

Comments: This option is only visible if all processors installed in the system support Intel® Hyper-Threading Technology.

[Back to \[Advanced Screen\]](#) — [\[Screen Map\]](#)

15. Active Processor Cores

Option Values: **All**
 1
 2
 3
 4
 5
 6
 7

Help Text:

Number of cores to enable in each processor package.

Comments: The numbers of cores that appear as selections depends on the number of cores available in the processors installed. Boards may have as many as 8 cores in each of 1, 2, or 4 processors. The same number of cores must be active in each processor package.

This Setup screen should begin with the number of currently-active cores as the number displayed. See note below – this may be different from the number previously set by the user.

Note: The ME can control the number of active cores independently of the BIOS Setup setting. If the ME disables or enables processor cores, that will override the BIOS setting, and the number selected by BIOS will be disregarded.

[Back to \[Advanced Screen\]](#) — [\[Screen Map\]](#)

16. Execute Disable Bit

Option Values: **Enabled**
 Disabled

Help Text:

Execute Disable Bit can help prevent certain classes of malicious buffer overflow attacks.

Contact your OS vendor regarding OS support of this feature.

Comments: This option is only visible if all processors installed in the system support the Execute Disable Bit. The OS and applications installed must support this feature in order for it to be enabled.

[Back to \[Advanced Screen\]](#) — [\[Screen Map\]](#)

17. Intel (R) Virtualization Technology

Option Values: Enabled
 Disabled

Help Text:

Intel (R) Virtualization Technology allows a platform to run multiple operating systems and applications in independent partitions.

Note: A change to this option requires the system to be powered off and then back on before the setting takes effect.

Comments: This option is only visible if all processors installed in the system support Intel® VT. The software configuration installed on the system must support this feature in order for it to be enabled.

[Back to \[Advanced Screen\]](#) — [\[Screen Map\]](#)

18. Intel(R) VT for Directed I/O

Option Values: Enabled
 Disabled

Help Text:

Enable/Disable Intel (R) Virtualization Technology for Directed I/O (Intel (R) VT-d).

Report the I/O device assignment to VMM through DMAR ACPI Tables.

Comments: This option is only visible if all processors installed in the system support Intel® VT-d. The software configuration installed on the system must support this feature in order for it to be enabled.

[Back to \[Advanced Screen\]](#) — [\[Screen Map\]](#)

19. Interrupt Remapping

Option Values: **Enabled**
 Disabled

Help Text:

Enable/Disable Intel (R) VT-d Interrupt Remapping support. For some processors, this option may be "always enabled".

Comments: This option only appears when Intel® Virtualization Technology for Directed I/O is **Enabled**. For some processors this will be enabled unconditionally whenever Intel® VT-d is enabled. In that case, this option will be shown as "Enabled", and grayed out and not changeable.

[Back to \[Advanced Screen\]](#) — [\[Screen Map\]](#)

20. Pass-through DMA Support

Option Values: **Enabled**
 Disabled

Help Text:

Enable/Disable Intel (R) VT-d Pass-through DMA support. For some processors, this option may be "always enabled".

Comments: This option only appears when Intel® Virtualization Technology for Directed I/O is **Enabled**. For some processors this will be enabled unconditionally whenever Intel® VT-d is enabled. In that case, this option will be shown as "Enabled", and grayed out and not changeable.

[Back to \[Advanced Screen\]](#) — [\[Screen Map\]](#)

21. Intel(R) TXT

Option Values: Enabled
 Disabled

Help Text:

Enable/Disable Intel(R) Trusted Execution Technology. Takes effect after reboot.

Comments: Intel® TXT only appears when both Intel® Virtualization Technology and Intel® VT for Directed IO are enabled.

This option appears only on models equipped with a TPM. The TPM must be active in order to support Intel® TXT.

Note: *Changing the setting for Intel® TXT will require the system to perform a Hard Reset in order for the new setting to become effective.*

[Back to \[Advanced Screen\]](#) — [\[Screen Map\]](#)

22. Enhanced Error Containment Mode

Option Values: Enabled
 Disabled

Help Text:

Enable Enhanced Error Containment Mode (Data Poisoning) - Erroneous data coming from memory will be poisoned. If disabled (default), will be in Legacy Mode - No data poisoning support available.

Comments: Enhanced Error Containment (Data Poisoning) is not supported by all models of processors, and this option will not appear unless all installed processors support Enhanced Error Containment. This option globally enables or disables both Core and Uncore Data Poisoning, for processors which support them.

[Back to \[Advanced Screen\]](#) — [\[Screen Map\]](#)

23. MLC Streamer

Option Values: **Enabled**
 Disabled

Help Text:

MLC Streamer is a speculative prefetch unit within the processor(s).

***Note:** Modifying this setting may affect performance.*

Comments: MLC Streamer is normally **Enabled**, for best efficiency in L2 Cache and Memory Channel use but disabling it may improve performance for some processing loads and on certain benchmarks.

[Back to \[Advanced Screen\]](#) — [\[Screen Map\]](#)

24. MLC Spatial Prefetcher

Option Values: **Enabled**
 Disabled

Help Text:

[Enabled] – Fetches adjacent cache line (128 bytes) when required data is not currently in cache.

[Disabled] – Only fetches cache line with data required by the processor (64 bytes).

Comments: MLC Spatial Prefetcher is normally **Enabled**, for best efficiency in L2 Cache and Memory Channel use but disabling it may improve performance for some processing loads and on certain benchmarks.

[Back to \[Advanced Screen\]](#) — [\[Screen Map\]](#)

25. DCU Data Prefetcher

Option Values: **Enabled**
 Disabled

Help Text:

The next cache line will be prefetched into L1 data cache from L2 or system memory during unused cycles if it sees that the processor core has accessed several bytes sequentially in a cache line as data.

[Disabled] – Only fetches cache line with data required by the processor (64 bytes).

Comments: DCU Data Prefetcher is normally **Enabled**, for best efficiency in L1 Data Cache and Memory Channel use but disabling it may improve performance for some processing loads and on certain benchmarks.

[Back to \[Advanced Screen\]](#) — [\[Screen Map\]](#)

26. DCU Instruction Prefetcher

Option Values: **Enabled**
 Disabled

Help Text:

The next cache line will be prefetched into L1 instruction cache from L2 or system memory during unused cycles if it sees that the processor core has accessed several bytes sequentially in a cache line as data.

Comments: DCU Data Prefetcher is normally **Enabled**, for best efficiency in L1 Instruction Cache and Memory Channel use but disabling it may improve performance for some processing loads and on certain benchmarks.

[Back to \[Advanced Screen\]](#) — [\[Screen Map\]](#)

27. Direct Cache Access (DCA)

Option Values: **Enabled**
Disabled

Help Text:

Allows processors to increase the I/O performance by placing data from I/O devices directly into the processor cache.

Comments: System performance is usually best with Direct Cache Access Enabled. In certain unusual cases, disabling this may give improved results.

[Back to \[Advanced Screen\]](#) — [\[Screen Map\]](#)

28. Intel (SMX) Safter Mode Extensions

Option Values: Enabled
Disabled

Help Text:

When Enabled, a SMX can utilize the additional hardware Capabilities provided by Safer Mode Extensions.

Comments:

[Back to \[Advanced Screen\]](#) — [\[Screen Map\]](#)

29. SMM Wait Timeout

Option Values: [Entry Field 20 – 3000ms, **20** is default]

Help Text:

Millisecond timeout waiting for BSP and APs to enter SMM. Range is 20ms to 3000ms.

Comments: Amount of time to allow for the SMI Handler to respond to an SMI. If exceeded, BMC generates an SMI Timeout and resets the system.

Note: This field is temporary, and will be removed when no longer required.

[Back to \[Advanced Screen\]](#) — [\[Screen Map\]](#)

Memory Configuration

The Memory Configuration screen allows the user to view details about the DDR3 DIMMs that are installed as system memory, and alter BIOS Memory Configuration settings where appropriate.

To access this screen from the **Main** screen, select **Advanced > Memory Configuration**. To move to another screen, press the <Esc> key to return to the **Advanced** screen, then select the desired screen.

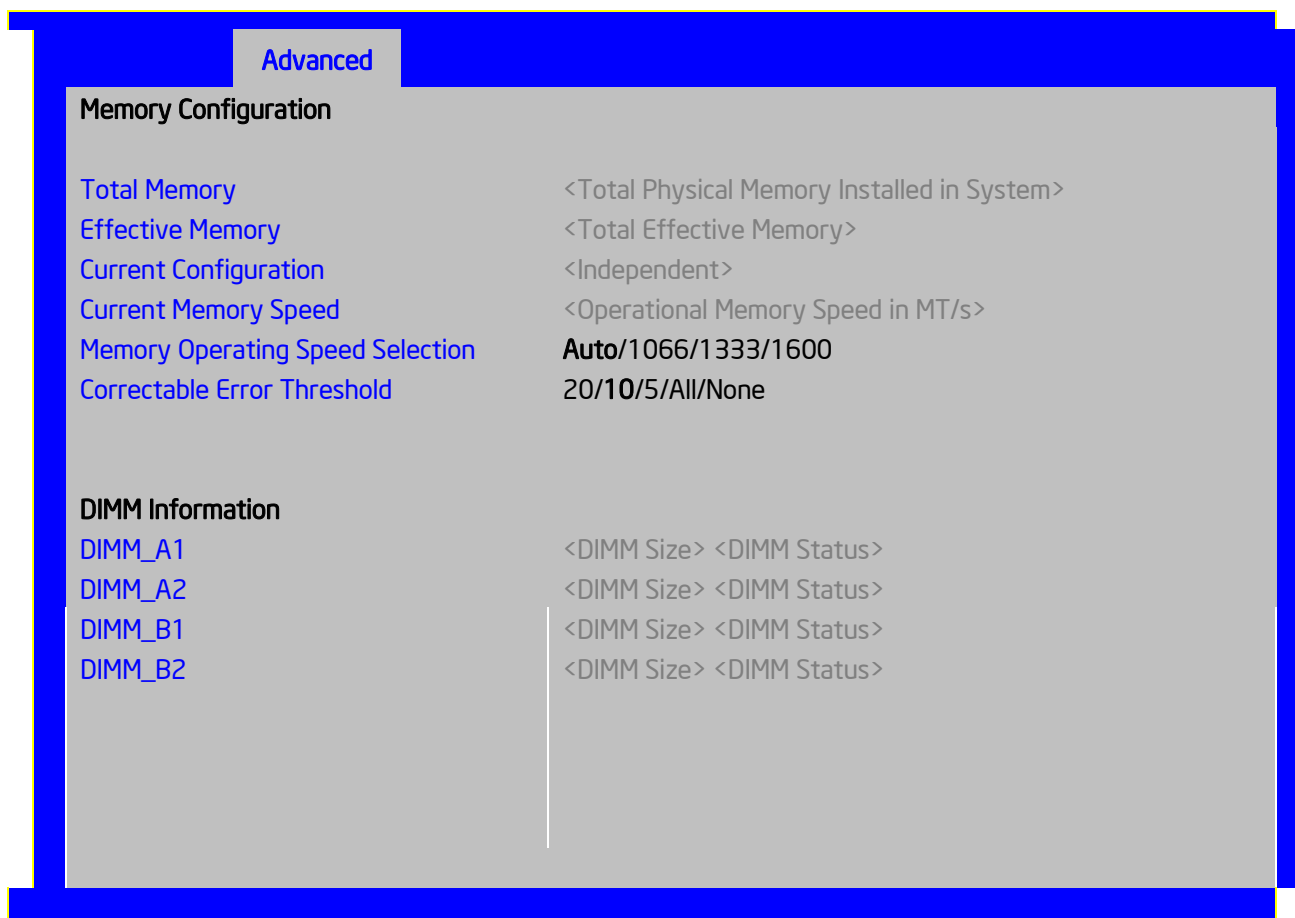


Figure 87. Memory Configuration Screen

Screen Field Descriptions:**1. Total Memory**

Option Values: <Total Physical Memory Installed in System>

Help Text: <None>

Comments: *Information only.* Displays the amount of memory available in the system in the form of installed DDR3 DIMMs, in units of GB.**[Back to \[Memory Configuration Screen\]](#) — [\[Advanced Screen\]](#) — [\[Screen Map\]](#)****2. Effective Memory**

Option Values: <Total Effective Memory>

Help Text: <None>

Comments: *Information only.* Displays the amount of memory available to the OS in MB or GB.

The Effective Memory is the Total Physical Memory minus the sum of all memory reserved for internal usage, RAS redundancy and SMRAM.

Note: Some server operating systems do not display the total physical memory installed.

[Back to \[Memory Configuration Screen\]](#) — [\[Advanced Screen\]](#) — [\[Screen Map\]](#)

3. Current Memory Speed

Option Values: <Operational Memory Speed in MT/s>

Help Text: <None>

Comments: *Information only.* Displays the speed in MT/s at which the memory is currently running.

The supported memory speeds are 1066 MT/s, 1333 MT/s, and 1600 MT/s. The actual memory speed capability depends on the memory configuration.

[Back to \[Memory Configuration Screen\]](#) — [\[Advanced Screen\]](#) — [\[Screen Map\]](#)

4. Memory Operating Speed Selection

Option Values: **Auto**
1066
1333
1600

Help Text: *Force specific Memory Operating Speed or use Auto setting.*

Comments: Allows the user to select a specific speed at which memory will operate. Only speeds that are legitimate are available, that is, the user can only specify speeds less than or equal to the auto-selected Memory Operating Speed. The default **Auto** setting will select the highest achievable Memory Operating Speed consistent with the DIMMs and processors installed. 1600 MT/s memory speed is available only on certain models.

[Back to \[Memory Configuration Screen\]](#) — [\[Advanced Screen\]](#) — [\[Screen Map\]](#)

5. Correctable Error Threshold

Option Values: 20
10
5
All
None

Help Text:

Threshold value for logging Correctable Errors (CE) – Threshold of 10 (default) logs 10th CE, "All" logs every CE and "None" means no CE logging. All and None are not valid with Rank Sparing.

Comments: Specifies how many Correctable Errors must occur before triggering the logging of a SEL Correctable Error Event. Only the first threshold crossing is logged, unless "All" is selected. "All" causes every CE that occurs to be logged. "None" suppresses CE logging completely.

This threshold is applied on a per-rank basis. The Correctable Error occurrences are counted for each memory rank. When any one rank accumulates a CE count equal to the CE Threshold, then a single CE SEL Event is logged, and all further CE logging is suppressed.

Note that the CE counts are subject to a "leaky bucket" mechanism that reduces the count as a function of time, to keep from accumulating counts unnecessarily over the term of a long operational run.

[Back to \[Memory Configuration Screen\]](#) — [\[Advanced Screen\]](#) — [\[Screen Map\]](#)

6. DIMM_A1
7. DIMM_A2
8. DIMM_B1
9. DIMM_B2

Help Text: <None>

Comments: *Information only*: Displays the status of each DIMM socket present on the board. There is one line for each DIMM socket present on the board.

For each DIMM socket, the DIMM Status reflects one of the following three possible states:

- **Installed&Operational** – There is a DDR3 DIMM installed and operational in this slot.
- **Not Installed** – There is no DDR3 DIMM installed in this slot.
- **Failed/Disabled** – The DIMM installed in this slot has failed during initialization and/or was disabled during initialization.

For each DIMM that is in the **Installed & Operational** state, the DIMM Size in GB of that DIMM is displayed. This is the physical size of the DIMM, regardless of how it is counted in the Effective Memory size.

Note: In “DIMM_XY”, X denotes the Channel Identifier A - P, and Y denotes the DIMM Slot identifier 1 - 3 within the Channel. DIMM_A2 is the DIMM socket on Channel A, Slot 2. Not all boards have the same number of channels and slots – this is dependent on the board features.

S1200V3RP boards can have DIMMs A1, A2 to B1, B2

[Back to \[Memory Configuration Screen\]](#) — [\[Advanced Screen\]](#) — [\[Screen Map\]](#)

Mass Storage Controller Configuration

The Mass Storage Configuration screen allows the user to configure the Mass Storage controllers that are integrated into the server board on which the BIOS is executing. This includes only onboard Mass Storage controllers. Mass Storage controllers on add-in cards are not included in this screen, nor are other storage mechanisms such as USB-attached storage devices or Network Attached Storage.

There is one type of onboard controller configured in this screen, the AHCI SATA controller with SATA drive support and RAID support. There are also informational displays of AHCI controller configuration, and SATA Drive Information when applicable. If the presence of an Intel® Storage Module is detected, the type of Storage Module is displayed as information-only.

To access this screen from the **Main** screen, select **Advanced > Mass Storage Controller Configuration**. To move to another screen, press the <Esc> key to return to the **Advanced** screen, then select the desired screen.

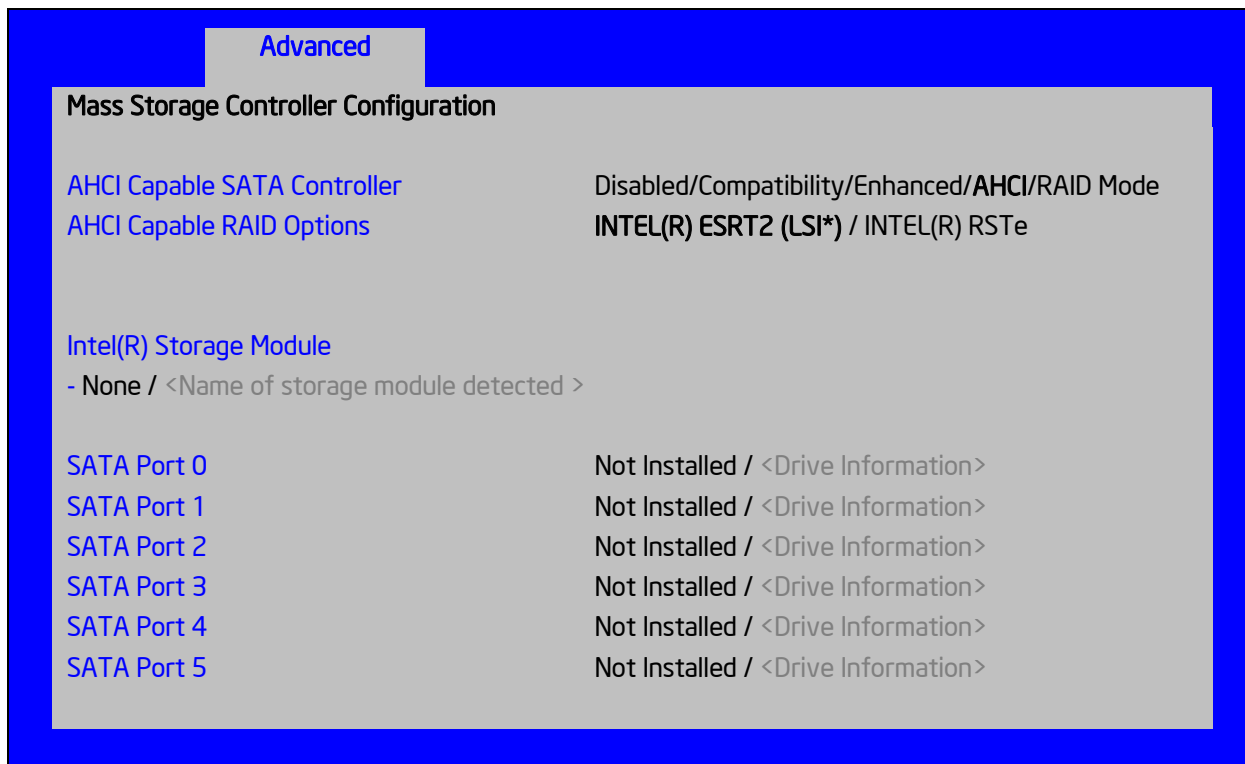


Figure 88. Mass Storage Controller Configuration Screen

Screen Field Descriptions:

1. AHCI Capable SATA Controller

Option Values: Disabled
 Compatibility
 Enhanced
 AHCI
 RAID Mode

Help Text:

- *Compatibility provides PATA emulation on the SATA device*
- *Enhanced provides Native SATA support*
- *AHCI enables the Advanced Host Controller Interface, which provides Enhanced SATA functionality*
- *RAID Mode provides host based RAID support on the onboard SATA ports*

Comments: This option configures the onboard AHCI-capable SATA controller. The number and type of ports it controls differs between board series.

If the SATA Controller is *Disabled*, the SATA Ports will not operate, and any installed SATA devices will be unavailable.

Compatibility provides PATA emulation on the SATA device, allowing the use of legacy IDE/PATA drivers. *Enhanced* provides Native SATA support using native SATA drivers included with the vast majority of current OSes. *AHCI* enables the Advanced Host Controller Interface, which provides Enhanced SATA functionality plus possible additional functionality (Native

Command Queuing, Hot Plug, Staggered Spin Up). It uses AHCI drivers available for the majority of current OSes.

RAID Mode provides host based RAID support on the onboard SATA ports. RAID levels supported and required drivers depend on the RAID stack selected

[Back to \[Mass Storage Controller Configuration Screen\]](#) — [Back to \[Screen Map\]](#)

2. AHCI Capable RAID Options

Option Values: **Intel(R) ESRT2 (LSI*)**
Intel(R) RSTe

Help Text:

- *Intel(R) ESRT2 (Powered By LSI*): Supports RAID 0/1/10 and optional RAID 5 with Intel® RAID C600 Upgrade Keys. Uses Intel ESRT2 drivers (based on LSI* MegaSR).*

- *Intel(R) RSTe: Provides pass-through drive support. Also provides host based RAID 0/1/10/5 support. Uses Intel(R) RSTe iastor drivers.*

Comments: This option only appears when the SATA Controller is enabled, and *RAID Mode* has been selected as the operational SATA Mode. This setting selects the RAID stack to be used for SATA RAID with the onboard AHCI SATA controller.

If a RAID Volume has not previously been created that is compatible with the RAID stack selected, it will be necessary to Save and Exit and reboot in order to create a RAID Volume.

Note: This option does not appear on all boards.

[Back to \[Mass Storage Controller Configuration Screen\]](#) — [Back to \[Screen Map\]](#)

3. Intel(R) Storage Module

Option Values: **None**
<Name of Storage Module detected>

Names of Storage Modules supported at this time are:

Intel(R) Integrated RAID Module

Intel(R) Integrated RAID Module RMS25PB040

Intel(R) Integrated RAID Module RMT3PB080

Intel(R) Integrated RAID Module RMS25CB080

Intel(R) Integrated RAID Module RMS25CB040

Intel(R) Integrated RAID Module RMT3CB080

Intel(R) Integrated RAID Module RMS25JB080

Intel(R) Integrated RAID Module RMS25JB040

Intel(R) Integrated RAID Module RMS25KB080

Intel(R) Integrated RAID Module RMS25KB040

Help Text: <None>

Comments: *Information only.* If no Intel® Storage Module is detected, then **None** is displayed. This shows the customer the product name of the module installed, which helps in identifying drivers, support, documentation, and so on.

[Back to \[Mass Storage Controller Configuration Screen\]](#) — [Back to \[Screen Map\]](#)

4. SATA Port

(For Port numbers 0-6)

Option Values: **Not Installed**
<Drive Information>

Help Text: <None>

Comments: *Information only.* The Drive Information, when present, will typically consist of the drive model identification and size for the disk drive installed on a particular port.

This Drive Information line is repeated for all 6 SATA Port for the onboard AHCI capable SATA Controller. However, for any given board, only the ports which are physically populated on the board are shown. That is, a board which only implements the two 6 GB/s ports 0 and 1 will only show those two ports in this Drive Information list.

Back to [Mass Storage Controller Configuration Screen] — Back to [Screen Map]

PCI Configuration

The PCI Configuration screen allows the user to configure the PCI memory space used for onboard and add-in adapters, configure video options, and configure onboard adapter options.

It also includes a selection option to go to the NIC Configuration screen.

To access this screen from the *Main* screen, select *Advanced > PCI Configuration*. To move to another screen, press the <Esc> key to return to the *Advanced* screen, then select the desired screen.

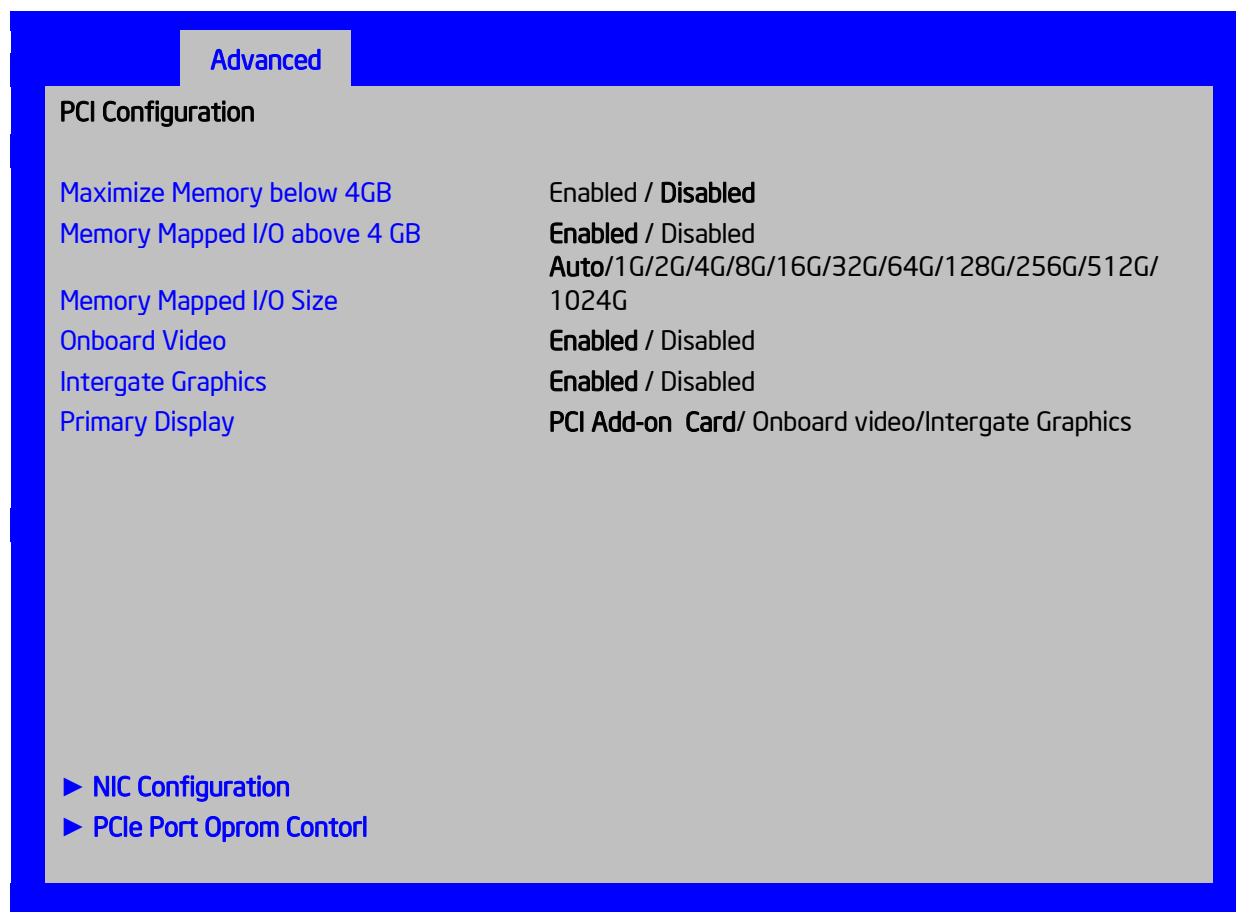


Figure 89. PCI Configuration Screen

Screen Field Descriptions:

1. Maximize Memory below 4GB

Option Values: Enabled
 Disabled

Help Text:

BIOS maximizes memory usage below 4GB for an OS without PAE support, depending on the system configuration. Only enable for an OS without PAE support.

Comments: When this option is enabled, BIOS makes as much memory available as possible in the 32-bit (4GB) address space, by limiting the amount of PCI/PCIe Memory Address Space and PCIe Extended Configuration Space. This option should only be enabled for a 32-bit OS without PAE capability or without PAE enabled.

[Back to \[NIC Configuration Screen\]](#) — [\[Advanced Screen\]](#) — [\[Screen Map\]](#)

2. Memory Mapped I/O above 4 GB

Option Values: **Enabled**
 Disabled

Help Text:

Enable or disable memory mapped I/O of 64-bit PCI devices to 4 GB or greater address space.

Comments: When enabled, PCI/PCIe Memory Mapped I/O for devices capable of 64-bit addressing is allocated to address space above 4GB, in order to allow larger allocations and avoid impacting address space below 4G.

[Back to \[NIC Configuration Screen\]](#) — [\[Advanced Screen\]](#) — [\[Screen Map\]](#)

3. Memory Mapped I/O Size

Option Values: **Auto**
 1G/2G/4G/8G/16G/32G/64G/128G/256G/512G/1024G

Help Text:

Sets MMIO Size: Auto -> 2G(default).

Comments: When Memory Mapped I/O above 4GB option enabled, this option sets the preserved MMIO size as PCI/PCIe Memory Mapped I/O for devices capable of 64-bit addressing. This option is grayed out when Memory Mapped I/O above 4GB option is disabled.

[Back to \[NIC Configuration Screen\]](#) — [\[Advanced Screen\]](#) — [\[Screen Map\]](#)

4. Onboard Video

Option Values: **Enabled**
 Disabled

Help Text:

On-board video controller.

Warning: System video is completely disabled if this option is disabled and an add-in video adapter is not installed and Intergate graphics.

Comments: When disabled, the system requires an add-in video card or Intergate graphics for the video to be seen. When there is no add-in video card or Intergate Graphics installed, Onboard Video is set to Enabled and grayed out so it cannot be changed.

[Back to \[NIC Configuration Screen\]](#) — [\[Advanced Screen\]](#) — [\[Screen Map\]](#)

5. Intergate Graphics

Intergate Graphics: **Enabled**
 Disabled

Help Text:

Processor integrate Graphics video controller.

[Back to \[NIC Configuration Screen\]](#) — [\[Advanced Screen\]](#) — [\[Screen Map\]](#)

6. Primary Display

Option Values: **PCI Add-on Card**
 Onboard Video
 Intergate Graphics

Help Text:

Select which of IGFX/PEG/PCI Add-on Card Graphics device should be Primary Display or select SG for Switchable GFX

Comments:

[Back to \[NIC Configuration Screen\]](#) — [\[Advanced Screen\]](#) — [\[Screen Map\]](#)

7. NIC Configuration

Option Values: <None>

Help Text:

View/Configure NIC information and settings.

Comments: *Selection only.* Select this line and press the <Enter> key to go to the ***NIC Configuration*** group of configuration settings.

Note: This configuration page is not visible on some SKU.

[Back to \[NIC Configuration Screen\]](#) — [\[Advanced Screen\]](#) — [\[Screen Map\]](#)

NIC Configuration

The NIC Configuration screen allows the user to configure the NIC controller options for BIOS POST. It also displays the NIC MAC Addresses currently in use. This NIC Configuration screen handles network controllers built in on the baseboard (“onboard”) or installed as an IO Module (IOM). It does not configure or report anything having to do with add-in network adapter cards.

To access this screen from the **Main** screen, select **Advanced > PCI Configuration > NIC Configuration**. To move to another screen, press the <Esc> key to return to the **PCI Configuration** screen, if necessary press the <Esc> key again to return to the **Advanced** screen, then select the desired screen.

There is usually one Onboard NIC built into the baseboard, although in some cases there are two Onboard NICs. There are several possible types of NICs which are incorporated into different boards. When an InfiniBand controller is on the baseboard, it appears as an Onboard NIC.

Most boards in this family also can have an IO Module that installs on the board in a specialized connector. There are boards which can have two IO Modules installed.

To determine what type of NIC is installed on a specific board, or what kinds of IO Modules can be supported on which boards, refer to the Technical Product Specification for the board in question.

The descriptive names of the Onboard NIC types are: (**Note:** Codenames FYI only and not part of description to go into Setup.)

Intel® I210 Dual-Port Gigabit Ethernet Controller (*Springville*)

For boards with only one Onboard NIC, the “Onboard NIC2” entries are not present on the screen. The number of “Port” options which are displayed for each NIC will match the number of ports the Onboard NIC presents.

The IO Modules currently available are:

Intel® I350 Quad-Port Gigabit Ethernet Module (*Powerville 4-port*)

Intel® I540 Dual-Port X540 10 Gigabit RJ-45 Module (*Twinville*)

Intel® 82599 Dual-Port 10 Gigabit SFP+ Module (*Niantic*)

Intel® 82575EB Dual-Port Gigabit Module (*Zoar*)

Mellanox* ConnectX-3* Single-Port InfiniBand FD14 Module

For the IO Module entries on the NIC Configuration screen, only entries for modules which are currently installed will appear, and only ports which exist on those IO Modules will appear.

If an IO Module which had been installed is no longer installed when the system is booted, all NIC Configuration entries which are specific to that IO Module will be reset to their default values and hidden. If a different IO Module is installed than had been previously installed, the module-specific settings will still be returned to defaults but not hidden. This will not necessarily affect the Option ROM settings, which depend on the aggregate capabilities of all installed Onboard and IO Module NICs.

For each NIC port which is present on an Onboard NIC or IO Module other than InfiniBand controllers, there will be a port-specific PXE Boot enabling option and a MAC Address display. Onboard NICs and NIC ports also have enable/disable options. IO Modules and the ports on them cannot be disabled by BIOS.

InfiniBand controllers which appear as Onboard NICs or as IO Modules have a slightly different format. They do not have enable/disable options but they do have a choice of whether to enable loading and executing the embedded Option ROM for the controller, which will cause it to become bootable. For InfiniBand, both a GUID and a MAC Address are displayed. The GUID is used for InfiniBand Fabric operations, and the MAC Address is used when the controller is attached as an Ethernet device.

For non-InfiniBand NICs, there are different OPRoMs for different protocols, which are also differentiated by speed, 1 Gb or 10 Gb. For a given protocol/speed, all Ethernet controllers of the same speed use the same Option ROM.

- **PXE** – there are two separate PXE Option ROMs, one for 1 Gb NICs and another for 10 Gb NICs. The two are independent of each other but each must be the only Option ROM enabled in its speed class. If 1 GbE PXE is enabled, then the iSCSI OPRoM cannot be enabled. If 10 GbE PXE is enabled, then neither iSCSI nor 10 GbE FCoE may be enabled.
- **iSCSI** – there is only one iSCSI Option ROM for both 1 GbE and 10 GbE NICs. If iSCSI is enabled, then neither PXE nor FCoE OPRoMs may be enabled for the 1 GbE or 10 GbE NICs.
- **FCoE** – there is a 10 GbE FCoE Option ROM that supports the Intel® 82599 NIC. When it is enabled, the iSCSI OPRoM and the 10 GbE PXE OPRoM must be disabled.

Note: These Option ROMs are only in support of onboard NICs and installed IO Modules. They do not support NICs on add-in network cards, even if the NIC on an add-in card is the same type of device as an onboard NIC or IO Module controller.

Only the Option ROMs for which controller capabilities are present are shown in the screen for selection. For example, if there are no 10 GbE NICs installed, then the 10 GbE OPRoMs will not appear for selection. If controller capabilities are present but all controllers with those capabilities are disabled, then the relevant OPRoM options will appear but will be disabled and grayed out and not changeable.

Similarly, when the PXE OPRoM of a given speed is disabled, all PXE port enable/disable options using that OPRoM will be disabled and grayed out. Conversely, if all ports are disabled for PXE, the PXE OPRoM will be disabled and grayed out.

When a NIC Port is disabled, the PXE enable/disable option for it will be disabled and grayed out, and the MAC Address will be blank. When a NIC controller is disabled, all Ports and PXE options for that controller will become disabled and grayed out and all MAC Addresses for those ports will be blank. Conversely, if all ports for a given controller are disabled, the controller itself will appear as disabled.

Advanced	
NIC Configuration	
Wake on LAN (PME)	Enabled / Disabled
PXE 1GbE Option ROM	Enabled / Disabled
PXE 10GbE Option ROM	Enabled / Disabled
FCoE 10GbE Option ROM	Enabled / Disabled
iSCSI 1GbE/10GbE Option ROM	Enabled / Disabled
Onboard NIC1 Type	<Onboard NIC Description - Non-InfiniBand>
NIC1 Controller	Enabled / Disabled
NIC1 Port1 PXE	Enabled / Disabled
NIC1 Port1 MAC Address	<MAC Address display>
Onboard NIC2 Type	<Onboard NIC Description - Non-InfiniBand>
NIC2 Controller	Enabled / Disabled
NIC2 Port1 PXE	Enabled / Disabled
NIC2 Port1 MAC Address	<MAC Address display >
IO Module 1 Type	<IO Module Description - Non-InfiniBand>
IOM1 Port1 PXE	Enabled / Disabled
IOM1 Port2 PXE	Enabled / Disabled
IOM1 Port3 PXE	Enabled / Disabled
IOM1 Port4 PXE	Enabled / Disabled

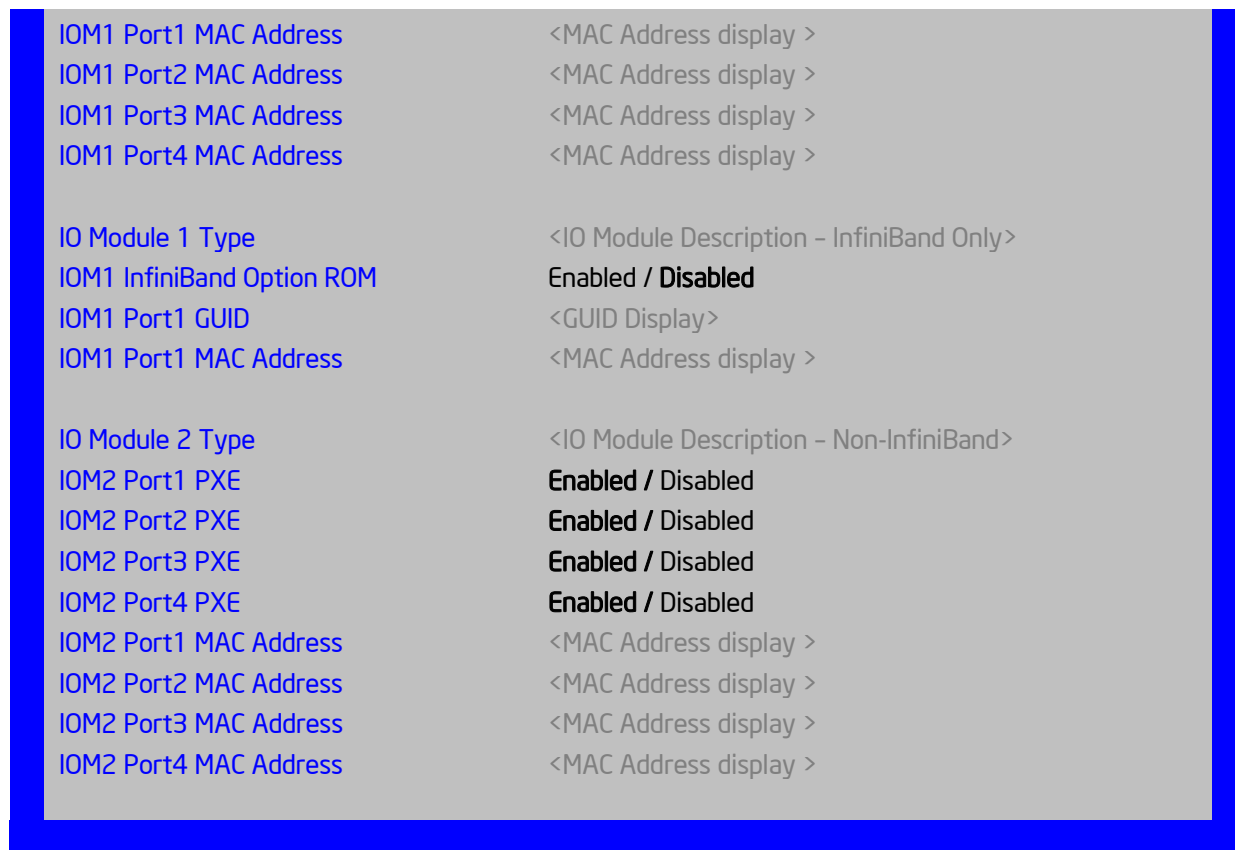


Figure 90. NIC Configuration Screen

Screen Field Descriptions:

1. Wake on LAN (PME)

Option Values: **Enabled**
 Disabled

Help Text:

Enables or disables PCI PME function for Wake on LAN capability from LAN adapters.

Comments: Enables/disables PCI/PCIe PME# signal to generate Power Management Events (PME) and ACPI Table entries required for Wake on LAN (WOL). However, note that this will enable WOL only with an ACPI-capable Operating System which has the WOL function enabled.

[Back to \[NIC Configuration Screen\]](#) — [\[NIC Configuration Screen\]](#) — [\[Advanced Screen\]](#) — [\[Screen Map\]](#)

2. PXE 1GbE Option ROM

Option Values: **Enabled**
 Disabled

Help Text:

Enable/Disable Onboard/IOM NIC PXE Option ROM Load.

Comments: This selection is to enable/disable the 1GbE PXE Option ROM that is used by all Onboard and IO Module 1 GbE controllers.

This option is grayed out and not accessible if the iSCSI Option ROM is enabled. It can co-exist with the 10 GbE PXE Option ROM, the 10 GbE FCoE Option ROM, or with an InfiniBand controller Option ROM.

If the 1GbE PXE Option ROM is disabled, and no other Option ROM is enabled, the system cannot perform a Network Boot and cannot respond for Wake-on-LAN.

This 1GbE PXE option does not appear unless there is a 1 GbE NIC installed in the system as an Onboard or IO Module NIC.

[Back to \[NIC Configuration Screen\]](#) — [\[NIC Configuration Screen\]](#) — [\[Advanced Screen\]](#) — [\[Screen Map\]](#)

3. PXE 10GbE Option ROM

Option Values: **Enabled**
 Disabled

Help Text:

Enable/Disable Onboard/IOM NIC PXE Option ROM Load.

Comments: This selection is to enable/disable the 10GbE PXE Option ROM that is used by all Onboard and IO Module 10 GbE controllers.

This option is grayed out and not accessible if the iSCSI Option ROM is enabled or the 10 GbE FCoE Option ROM is enabled. It can co-exist with the 1 GbE PXE Option ROM or with an InfiniBand controller Option ROM.

If the 10GbE PXE Option ROM is disabled, and no other Option ROM is enabled, the system cannot perform a Network Boot and cannot respond for Wake-on-LAN.

This 10GbE PXE option does not appear unless there is a 10 GbE NIC installed in the system as an Onboard or IO Module NIC.

[Back to \[NIC Configuration Screen\]](#) — [\[NIC Configuration Screen\]](#) — [\[Advanced Screen\]](#) — [\[Screen Map\]](#)

4. FCoE 10GbE Option ROM

Option Values: Enabled
 Disabled

Help Text:

Enable/Disable Onboard/IOM NIC FCoE Option ROM Load.

Comments: This selection is to enable/disable the 10GbE FCoE Option ROM that is used by all Onboard and IO Module 10 GbE controllers capable of FCoE support. At the present time, only the Intel® 82599 10 Gigabit SFP+ NIC supports FCoE for this family of server boards.

This option is grayed out and not accessible if the 10GbE PXE Option ROM is enabled or if the iSCSI Option ROM is enabled. It can co-exist with the 1GbE PXE Option ROM or with an InfiniBand controller Option ROM.

If the FCoE Option ROM is disabled, and no other Option ROM is enabled, the system cannot perform a Network Boot and cannot respond for Wake-on-LAN.

This FCoE option does not appear unless there is an FCoE-capable 10GbE NIC installed in the system as an Onboard or IO Module NIC.

[Back to \[NIC Configuration Screen\]](#) — [\[NIC Configuration Screen\]](#) — [\[Advanced Screen\]](#) — [\[Screen Map\]](#)

5. iSCSI 1GbE/10GbE Option ROM

Option Values: Enabled
 Disabled

Help Text:

Enable/Disable Onboard/IOM NIC iSCSI Option ROM Load.

Comments: This selection is to enable/disable the iSCSI Option ROM that is used by all Onboard and IO Module 1 GbE and 10 GbE controllers.

This option is grayed out and not accessible if the 1 GbE or 10GbE PXE Option ROM is enabled or if the 10 GbE FCoE Option ROM is enabled. It can co-exist with an InfiniBand controller Option ROM.

If the iSCSI Option ROM is disabled, and no other Option ROM is enabled, the system cannot perform a Network Boot and cannot respond for Wake-on-LAN.

This iSCSI option does not appear unless there is an iSCSI -capable NIC installed in the system as an Onboard or IO Module NIC.

[Back to \[NIC Configuration Screen\]](#) — [\[NIC Configuration Screen\]](#) — [\[Advanced Screen\]](#) — [\[Screen Map\]](#)

6. Onboard NIC1 Type

7. Onboard NIC2 Type

Option Values: <Onboard NIC Description>

One of these strings:

Intel(R) I210 Dual-Port Gigabit Ethernet Controller

Help Text: <None>

Comments: Information only. This is a display showing which NICs are available as Network Controllers integrated into the baseboard. Each of these Onboard NICs will be followed by a section including a group of options that are specific to the type of NIC, either as an Ethernet controller or an InfiniBand controller.

If a board only has one onboard NIC, the second NIC Type and following options section will not appear. If there is an InfiniBand controller integrated onboard, it will appear as NIC2.

For details about the NIC hardware configuration for a specific board, refer to the Technical Product Specification for that board.

[Back to \[NIC Configuration Screen\]](#) — [\[NIC Configuration Screen\]](#) — [\[Advanced Screen\]](#) — [\[Screen Map\]](#)

8. IO Module 1 Type

9. IO Module 2 Type

Option Values: <IO Module Description>

One of these strings:

Intel(R) I350 Quad-Port Gigabit Ethernet Module
Intel(R) I540 Dual-Port X540 10 Gigabit RJ-45 Module
Intel(R) 82599 Dual-Port 10 Gigabit SFP+ Module
Mellanox ConnectX-3* Single-Port InfiniBand FD14 Module*

Help Text: <None>

Comments: *Information only.* This is a display showing which Network Controllers on IO Modules are installed on the baseboard. Each of these IO Module NICs will be followed by a section including a group of options that are specific to the type of NIC, either as an Ethernet controller or an InfiniBand controller.

This descriptive screen image shows an example of an InfiniBand controller as IOM1. In a system with two IO Module connectors, an InfiniBand IO Module might be installed as either IOM1 or IOM2.

Most boards have only one IO Module connector. In any case, an IO Module Type and following options section will only appear when an IO Module is installed, and a second IO Module Type and options section will only appear if there are two IO Modules installed.

For details about the NIC hardware configuration for a specific board, refer to the Technical Product Specification for that board.

[Back to \[NIC Configuration Screen\]](#) — [\[NIC Configuration Screen\]](#) — [\[Advanced Screen\]](#) — [\[Screen Map\]](#)

10. NIC1 Controller

11. NIC2 Controller

Option Values: **Enabled**
Disabled

Help Text:

Enable/Disable Onboard Network Controller.

Comments: This will completely disable Onboard Network Controller NIC1 or NIC2, along with all included NIC Ports and their associated options. That controller's NIC Ports, Port PXE options, and Port MAC Address displays will not appear.

This option only appears for onboard Ethernet controllers. It does not appear for onboard InfiniBand controllers.

Ethernet controllers on IO Modules do not have a disabling function that can be controlled by BIOS, so there is no corresponding controller enable/disable option for an IOM Ethernet controller.

For details about the NIC hardware configuration for a specific board, refer to the Technical Product Specification for that board.

[Back to \[NIC Configuration Screen\]](#) — [\[NIC Configuration Screen\]](#) — [\[Advanced Screen\]](#) — [\[Screen Map\]](#)

12. NIC2 InfiniBand Option ROM

13. IOM1 InfiniBand Option ROM

14. IOM2 InfiniBand Option ROM

Option Values: Enabled
Disabled

Help Text:

Enable/Disable InfiniBand Controller Option ROM and FlexBoot.

Comments: This option will control whether the associated InfiniBand Controller Option ROM is executed by BIOS during POST. This will also control whether the InfiniBand controller FlexBoot program appears in the list of bootable devices.

This option only appears for Onboard or IO Module InfiniBand controllers. It does not appear for Ethernet controllers.

Back to [NIC Configuration Screen] — [NIC Configuration Screen] — [Advanced Screen] — [Screen Map]

15. NIC2 Port1 GUID

16. IOM1 Port1 GUID

17. IOM2 Port1 GUID

Option Values: <GUID Display>

Help Text: <None>

Comments: *Information only.* 16 hex digits of the Port1 GUID of the InfiniBand controller for NIC2, IOM1, or IOM2.

Back to [NIC Configuration Screen] — [NIC Configuration Screen] — [Advanced Screen] — [Screen Map]

18. NIC1 Port1 PXE

19. NIC2 Port1 PXE

20. IOM1 Port1 PXE

21. IOM1 Port2 PXE

22. IOM1 Port3 PXE

23. IOM1 Port4 PXE

24. IOM2 Port1 PXE

25. IOM2 Port2 PXE

26. IOM2 Port3 PXE

27. IOM2 Port4 PXE

Option Values: **Enabled**
Disabled

Help Text:

Enable/Disable Onboard/IOM NIC Port PXE Boot

Comments: This will enable or disable PXE Boot capability for Port< x , $x = 1-4$ > of Onboard NIC< n , $n = 1-2$ > or IO Module< n , $n = 1-2$ >.

This option will not appear for ports on a NIC which is disabled, or for individual ports when the corresponding NIC Port is disabled.

Only ports which actually exist for a particular NIC or IOM will appear in this section. That is, Port1-Port4 will appear for a quad-port NIC, Port1-Port2 will appear for a dual-port NIC, and only Port1 will appear for a single-port NIC.

The default state of each Port PXE Boot option is *Enabled*, if the corresponding PXE Boot OPROM of the same speed is *Enabled*. If a PXE Boot OPROM for 1 GbE or 10 GbE changes from *Disabled* to *Enabled*, then the Port PXE Boot option becomes *Enabled* for all ports of that speed

If the PXE Boot OPROM for 1 GbE NICs or 10 GbE NICs is disabled, PXE Boot will be disabled and grayed out as unchangeable for all ports on NICs or IO Modules of that same speed.

Conversely, if PXE Boot is disabled for all ports of a given speed, the corresponding PXE Option ROM will be disabled but not grayed out since it could be selected.

Back to [NIC Configuration Screen] — [NIC Configuration Screen] — [Advanced Screen] — [Screen Map]

- 28. NIC1 Port1 MAC Address
- 29. NIC2 Port1 MAC Address
- 30. IOM1 Port1 MAC Address
- 31. IOM1 Port2 MAC Address
- 32. IOM1 Port3 MAC Address
- 33. IOM1 Port4 MAC Address
- 34. IOM2 Port1 MAC Address
- 35. IOM2 Port2 MAC Address
- 36. IOM2 Port3 MAC Address
- 37. IOM2 Port4 MAC Address

Option Values: <Mac Address Display>

Help Text: <None>

Comments: *Information only.* 12 hex digits of the MAC address of Port1- Port4 of the Network Controller corresponding to NIC1, NIC2, IOM1, or IOM2.

This display will appear only for ports which actually exist on the corresponding Network Controller. If the Network Controller or port is disabled, the port MAC Address will not appear.

Back to [NIC Configuration Screen] — [NIC Configuration Screen] — [Advanced Screen] — [Screen Map]

Serial Port Configuration

The Serial Port Configuration screen allows the user to configure the Serial A and Serial B ports. In Legacy ISA nomenclature, these are ports COM1 and COM2 respectively.

To access this screen from the *Main* screen, select *Advanced > Serial Port Configuration*. To move to another screen, press the <Esc> key to return to the *Advanced* screen, then select the desired screen.

The primary usage for these serial ports is to enable Serial Console Redirection and Serial Over LAN (SOL) capabilities. Either port can be used for Serial Console Redirection but SOL is only supported on Serial A.

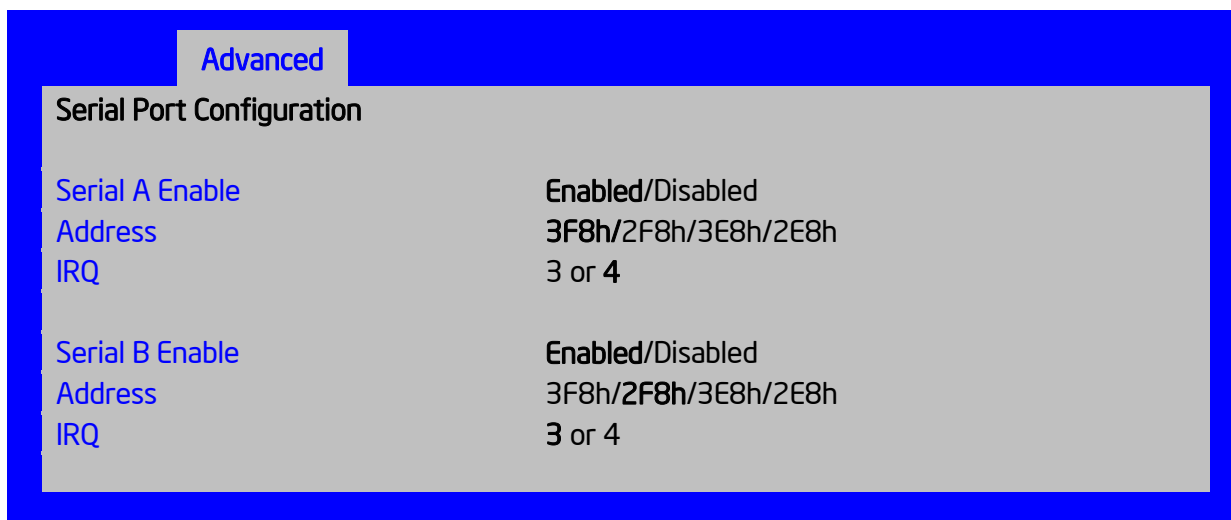


Figure 91. Serial Port Configuration Screen

Screen Field Descriptions:

1. Serial A Enable

Option Values: **Enabled**
 Disabled

Help Text:

Enable or Disable Serial port A.

Comments: Serial Port A can be used for either Serial Over LAN or Serial Console Redirection.

[Back to \[Serial Port Configuration Screen\]](#) — [Back to \[Screen Map\]](#)

2. Address

Option Values: **3F8h**
 2F8h
 3E8h
 2E8h

Help Text:

Select Serial port A base I/O address.

Comments: Legacy I/O port address. This field should not appear when Serial A port enable/disable does not appear.

[Back to \[Serial Port Configuration Screen\]](#) — [Back to \[Screen Map\]](#)

3. IRQ

Option Values: 3
4

Help Text:

Select Serial port A interrupt request (IRQ) line.

Comments: Legacy IRQ. This field should not appear when Serial A port enable/disable does not appear.

Back to [Serial Port Configuration Screen] — Back to [Screen Map]

4. Serial B Enable

Option Values: **Enabled**
Disabled

Help Text:

Enable or Disable Serial port B.

Comments: Serial Port B can be used for Serial Console Redirection.

Back to [Serial Port Configuration Screen] — Back to [Screen Map]

5. Address

Option Values: 3F8h
2F8h
3E8h
2E8h

Help Text:

Select Serial port B base I/O address.

Comments: Legacy I/O port address.

Back to [Serial Port Configuration Screen] — Back to [Screen Map]

6. IRQ

Option Values: **3**
4

Help Text:

Select Serial port B interrupt request (IRQ) line.

Comments: Legacy IRQ

Back to [Serial Port Configuration Screen] — Back to [Screen Map]

USB Configuration

The USB Configuration screen allows the user to configure the available USB controller options.

To access this screen from the **Main** screen, select **Advanced > USB Configuration**. To move to another screen, press the <Esc> key to return to the **Advanced** screen, then select the desired screen.

This screen should display all USB Mass Storage devices which have been detected in the system. These include USB-attached Hard Disk Drives (HDDs), Floppy Disk Drives (FDDs), CDROM and DVDROM drives, and USB Flash Memory devices (USB Key, Keyfob, and so on).

Each USB Mass Storage device may be set to allow the media emulation for which it is formatted, or an emulation may be specified. For USB Flash Memory devices in particular, there are some restrictions:

- A USB Key formatted as a CDROM drive will be recognized as an HDD.
- A USB Key formatted without a Partition Table will be forced to FDD emulation.

- A USB Key formatted with one Partition Table, and less than 528 MB in size, will be forced to FDD emulation – otherwise if it is 528 MB or greater in size, it will be forced to HDD emulation.

Note: USB devices can be “hotplugged” during POST, and will be detected and “beeped”. They will be enumerated and displayed on this screen, though they may not be enumerated as bootable devices.

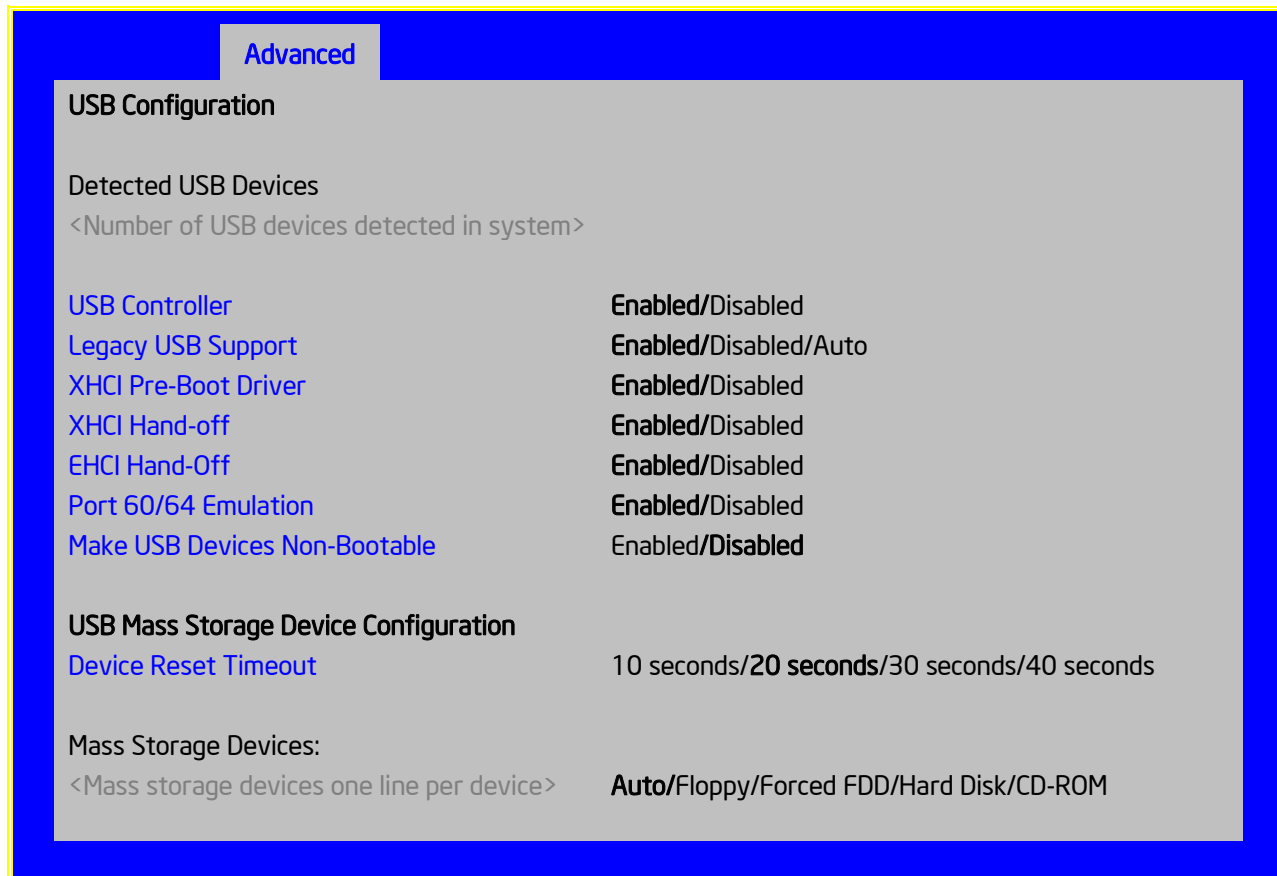


Figure 92. USB Configuration Screen

Screen Field Descriptions:

1. Detected USB Devices

Option Values: <Number of USB devices detected in system>

Help Text: <None>

Comments: *Information only.* Displays the total number of USB devices of all types which have been detected in POST.

Note: There is one USB keyboard and one USB mice detected from the BMC KVM function under this item even no USB devices connected to the system.

[Back to \[USB Configuration Screen\]](#) — [Back to \[Screen Map\]](#)

2. USB Controller

Option Values: **Enabled**
 Disabled

Help Text:

[Enabled] - All on-board USB controllers are turned on and accessible by the OS.

[Disabled] - All on-board USB controllers are turned off and inaccessible by the OS.

Comments: When the USB controllers are *Disabled*, there is no USB IO available for either POST or the OS. In that case, all following fields on this screen are grayed out and inactive.

[Back to \[USB Configuration Screen\]](#) — [Back to \[Screen Map\]](#)

3. Legacy USB Support

Option Values: **Enabled**
 Disabled
 Auto

Help Text:

Enables Legacy USB support. AUTO option disables legacy support if no USB devices are connected. Disable option will only keep USB Keyboard devices available for EFI applications.

Comments: When *Legacy USB Support* is *Disabled*, USB devices are available only through OS drivers.

If the *USB controller* setting is *Disabled*, this field is grayed out and inactive.

[Back to \[USB Configuration Screen\]](#) — [Back to \[Screen Map\]](#)

4. XHCI Pre-Boot Driver

Option Values: **Enabled**
 Disabled

Help Text:

Enable/Disable XHCI Pre-Boot Driver support

Comments:

If the *USB controller* setting is *Disabled*, this field is grayed out and inactive.

[Back to \[USB Configuration Screen\]](#) — [Back to \[Screen Map\]](#)

5. XHCI Hand-off

Option Values: **Enabled**
 Disabled

Help Text:

This is a workaround for OSes without XHCI hand-off support. The XHCI ownership change should be claimed by XHCI driver

Comments:

If the *USB controller* setting is *Disabled*, this field is grayed out and inactive.

[Back to \[USB Configuration Screen\]](#) — [Back to \[Screen Map\]](#)

6. EHCI Hand-off

Option Values: **Enabled**
 Disabled

Help Text:

This is a workaround for OSes without EHCI hand-off support. The XHCI ownership change should be claimed by EHCI driver

Comments:

If the *USB controller* setting is *Disabled*, this field is grayed out and inactive.

[Back to \[USB Configuration Screen\]](#) — [Back to \[Screen Map\]](#)

7. Port 60/64 Emulation

Option Values: **Enabled**
 Disabled

Help Text:

Enables I/O port 60h/64h emulation support.

This may be needed for legacy USB keyboard support when using an OS that is USB unaware.

Comments: If the *USB controller* setting is *Disabled*, this field is grayed out and inactive.

[Back to \[USB Configuration Screen\]](#) — [Back to \[Screen Map\]](#)

8. Make USB Devices Non-Bootable

Option Values: **Enabled**
 Disabled

Help Text:

Exclude USB in Boot Table.

[Enabled]- This will remove all USB Mass Storage devices as Boot options.

[Disabled] - This will allow all USB Mass Storage devices as Boot options.

Comments: This is a security option. When *Disabled*, the system cannot be booted directly to a USB device of any kind. USB Mass Storage devices may still be used for data storage.

If the *USB controller* setting is *Disabled*, this field is grayed out and inactive.

[Back to \[USB Configuration Screen\]](#) — [Back to \[Screen Map\]](#)

9. Device Reset Timeout

Option Values: 10 seconds
 20 seconds
 30 seconds
 40 seconds

Help Text:

USB Mass Storage device Start Unit command timeout.

Setting to a larger value provides more time for a mass storage device to be ready, if needed.

Comments: If the *USB controller* setting is *Disabled*, this field is grayed out and inactive.

[Back to \[USB Configuration Screen\]](#) — [Back to \[Screen Map\]](#)

10. Mass Storage Devices:

Option Values: **Auto**
 Floppy
 Forced FDD

Hard Disk
CD-ROM

Help Text:

[Auto] - USB devices less than 530 MB are emulated as floppies.

[Forced FDD] - HDD formatted drive is emulated as an FDD (for example, ZIP drive).

Comments: This field is hidden if no USB Mass Storage devices are detected.

This setup screen can show a maximum of eight USB Mass Storage devices on the screen. If more than eight devices are installed in the system, the 'USB Devices Enabled' displays the correct count but only the first eight devices discovered are displayed in this list.

If the *USB controller* setting is *Disabled*, this field is grayed out and inactive.

Back to [USB Configuration Screen] — Back to [Screen Map]

System Acoustic and Performance Configuration

The System Acoustic and Performance Configuration screen allows the user to configure the thermal control behavior of the system with respect to what parameters are used in the system's Fan Speed Control algorithms.

To access this screen from the *Main* screen, select *Advanced > System Acoustic and Performance Configuration*. To move to another screen, press the <Esc> key to return to the *Advanced* screen, then select the desired screen.

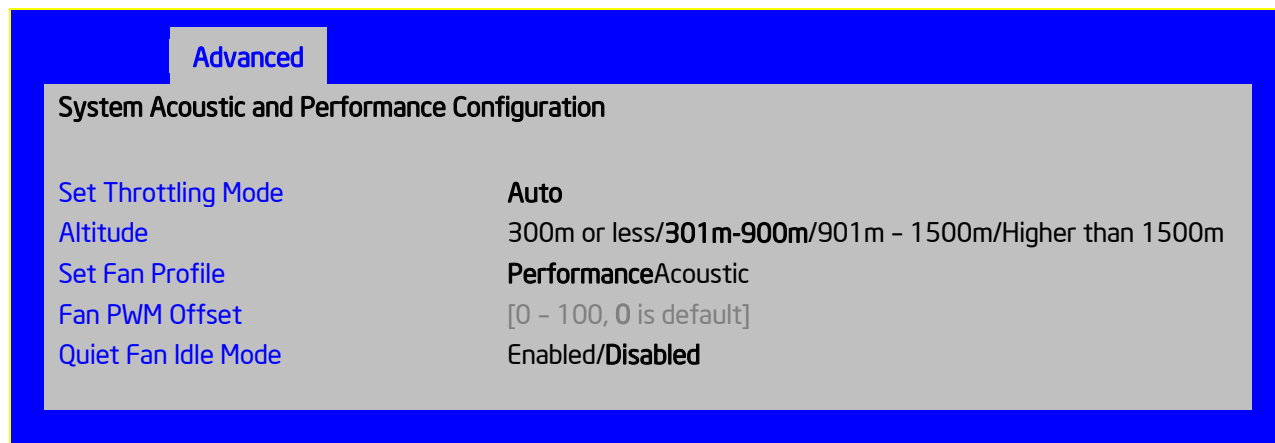


Figure 93. System Acoustic and Performance Configuration

Screen Field Descriptions:

1. Set Throttling Mode

Option Values: **Auto**

Help Text:

Sets Thermal Throttling mode for memory, to control fans and DRAM power as needed to control DIMM temperatures.

[Auto] – Auto Throttling Mode[CLTM] - Closed Loop Thermal Management.

[OLTM] - Open Loop Thermal Management.

Closed Loop Thermal Management is supported only when ECC DIMM plugged. Open Loop Thermal Management is not supported.

Comments: The Thermal Throttling Mode chosen reflects whether the DIMMs have Temperature Sensors (TSOD), and whether the chassis is an Intel chassis for which thermal data are available. Note that this is for thermal throttling only, independent of any controls imposed for the purpose of power limiting.

- SCLTTCLTM would be used with an OEM chassis and DIMMs with TSOD. The firmware does not change the offset registers for closed loop during runtime, although the Management Engine can do so.
- OLTM is intended for a system with UDIMMs which do not have TSOD. The thermal control registers are configured during POST, and the firmware does not change them.

[Back to \[System Acoustic and Performance Configuration\]](#) — [Back to \[Screen Map\]](#)

2. Altitude

Option Values: 300m or less
301m-900m
 901m-1500m
 Higher than 1500m

Help Text:

[300m or less](980ft or less) Optimal near sea level.

[301m-900m](980ft-2950ft) Optimal performance setting at moderate elevation.

[901m-1500m](2950ft-4920ft) Optimal performance setting at high elevation.

[Above 1500m](above 4920ft) Optimal performance setting at the highest elevations.

Comments: This option sets an altitude value in order to choose a Fan Profile that is optimized for the air density at the current altitude at which the system is installed.

[Back to \[System Acoustic and Performance Configuration\]](#) — [Back to \[Screen Map\]](#)

3. Set Fan Profile

Option Values: **Acoustic**

Help Text:

[Acoustic] - The system will favor using throttling of memory over boosting fans to cool the system if thermal thresholds are met.

Comments: This option allows the user to choose a Fan Profile that is optimized for minimizing acoustic noise.

When Acoustic is selected, then rather than increasing fan speed for additional cooling, the system will attempt first to control thermal conditions by throttling memory to reduce heat production. This regulates the system's thermal condition without changing the acoustic performance but throttling memory may impact system performance.

[Back to \[System Acoustic and Performance Configuration\]](#) — [Back to \[Screen Map\]](#)

4. Fan PWM Offset

Option Values: *[Entry Field 0 – 100, 0 is default]*

Help Text:

Valid Offset 0 - 100. This number is added to the calculated PWM value to increase Fan Speed.

Comments: This is a percentage by which the calculated fan speed will be increased. The user can apply positive offsets that result in increasing the minimum fan speeds.

[Back to \[System Acoustic and Performance Configuration\]](#) — [Back to \[Screen Map\]](#)

5. Quiet Fan Idle Mode

Option Values: Enabled
Disabled

Help Text:

Enabling this option allows the system fans to operate in Quiet ‘Fan off’ mode while still maintaining sufficient system cooling. In this mode, fan sensors become unavailable and cannot be monitored. There will be limited fan related event generation.

Comments: When enabled, this option allows fans to idle or turn off when sufficient thermal margin is available, decreasing the acoustic noise produced by the system and decreasing system power consumption. Fans will run as needed to maintain thermal control. The actual decrease in fan speed depends on the system thermal loading, which in turn depends on system configuration and workload.

While Quiet Fan Idle Mode is engaged, fan sensors become unavailable and are not monitored by the BMC.

Quiet Fan Idle Mode does not conflict with Fan PWM Offset (above) – they work in concert, with Fan PWM Offset applied to fans in Quiet Fan Idle Mode just as when the fans are operating in “normal mode”. A Fan PWM Offset of zero is necessary for fans to actually stop turning.

[Back to \[System Acoustic and Performance Configuration\]](#) — [Back to \[Screen Map\]](#)

Security Screen (Tab)

The Security screen allows the user to enable and set the Administrator and User passwords and to lock out the front panel buttons so they cannot be used. This screen also allows the user to enable and activate the Trusted Platform Module (TPM) security settings on those boards that support TPM.

Note that it is necessary to activate the TPM in order to be able to enable Intel® Trusted Execution Technology (TXT) on boards that support it. Changing the TPM state in Setup will require a Hard Reset for the new state to become effective.

This BIOS supports (but does not require) “Strong Passwords” for security. The “Strong Password” criteria for both Administrator and User passwords require that passwords be between 8 and 14 characters in length, and a password must contain at least one case-sensitive alphabetic character, one numeric character, and one special character. A warning is given when a password is set which does not meet the Strong Password criteria but the password is accepted.

For further security, the BIOS optionally may require a Power on Password to be entered in early POST in order to boot the system. When Power On Password is enabled, POST is halted soon after power on while the BIOS queries for a Power On Password. Either the Administrator or the User password may be entered for a Power on Password.

To access this screen from the *Main* screen or other top-level “Tab” screen, press the right or left arrow keys to traverse the tabs at the top of the Setup screen until the *Security* screen is selected.

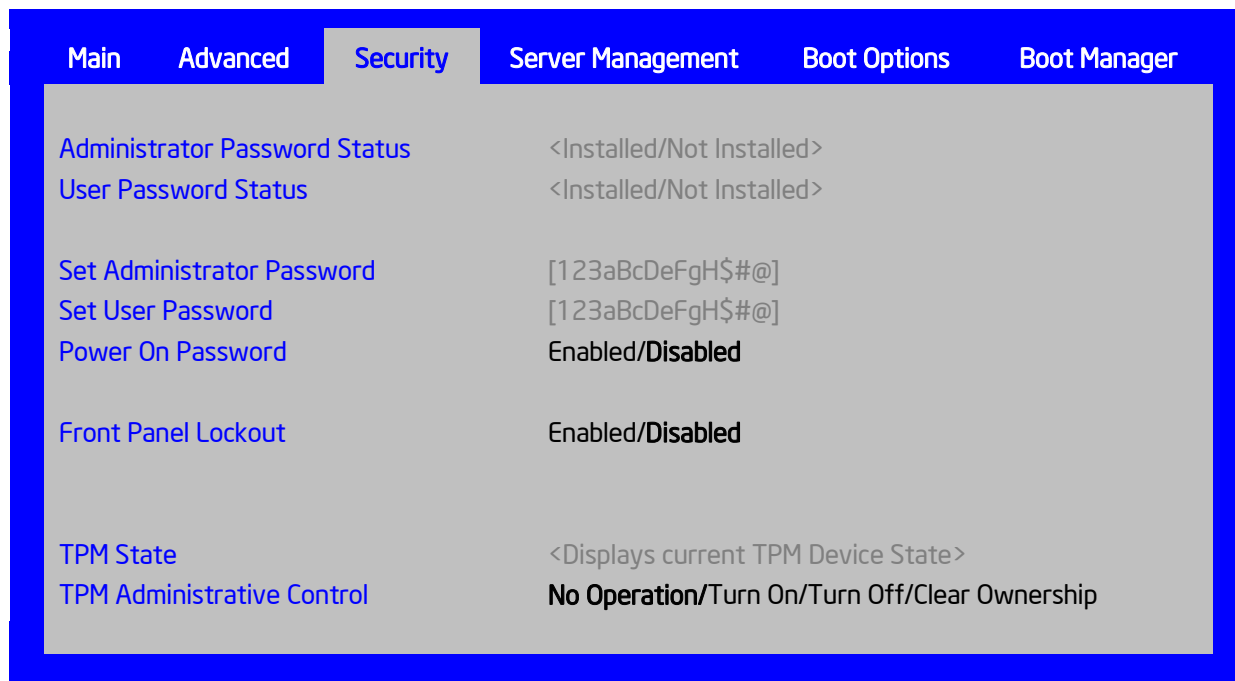


Figure 94. Security Screen

Screen Field Descriptions:**1. Administrator Password Status**

Option Values: *Installed*
Not Installed

Help Text: <None>

Comments: *Information only*. Indicates the status of the Administrator Password.

Back to [Security Screen] — Back to [Screen Map]

2. User Password Status

Option Values: *Installed*
Not Installed

Help Text: <None>

Comments: *Information only*. Indicates the status of the User Password.

Back to [Security Screen] — Back to [Screen Map]

3. Set Administrator Password

Option Values: *[Entry Field – 0-14 characters]*

Help Text:

Administrator password is used if Power On Password is enabled and to control change access in BIOS Setup. Length is 1-14 characters. Case sensitive alphabetic, numeric and special characters

!@#%\$%^&()-_+=? are allowed.*

Note: Administrator password must be set in order to use the User account.

Comments: This password controls “change” access to Setup. The Administrator has full access to change settings for any Setup options, including setting the Administrator and User passwords.

When Power On Password protection is enabled, the Administrator password may be used to allow the BIOS to complete POST and boot the system.

Deleting all characters in the password entry field removes a password previously set. Clearing the Administrator Password also clears the User Password.

If invalid characters are present in the password entered, it will not be accepted, and there will be popup error message:

Password entered is not valid. Only case sensitive alphabetic, numeric and special characters !@#%\$%^&()-_+=? are allowed.*

The Administrator and User passwords must be different. If the password entered is the same as the User password, it will not be accepted, and there will be popup error message:

Password entered is not valid. Administrator and User passwords must be different.

Strong passwords are encouraged, although not mandatory. If a password is entered which does not meet the “Strong Password” criteria, there will be a popup warning message:

Warning – a Strong Password should include at least one each case sensitive alphabetic, numeric, and special character. Length should be 8 to 14 characters.

[Back to \[Security Screen\]](#) — [Back to \[Screen Map\]](#)

4. Set User Password

Option Values: *[Entry Field – 0-14 characters]*

Help Text:

User password is used if Power On Password is enabled and to allow restricted access to BIOS Setup. Length is 1-14 characters. Case sensitive alphabetic, numeric and special characters !@#%\$%^&()-_+=? are allowed.*

Note: Removing the administrator password also removes the user password.

Comments: The User password is available only if the Administrator Password has been installed. This option protects Setup settings as well as boot choices. The User Password only allows limited access to the Setup options, and no choice of boot devices.

When Power On Password protection is enabled, the User password may be used to allow the BIOS to complete POST and boot the system.

The password format and entry rules and popup error and warning message are the same for the User password as for the Administrator password (see above).

[Back to \[Security Screen\]](#) — [Back to \[Screen Map\]](#)

5. Power On Password

Option Values: Enabled
Disabled

Help Text:

Enable Power On Password support. If enabled, password entry is required in order to boot the system.

Comments: When Power On Password security is enabled, the system will halt soon after power on and the BIOS will ask for a password before continuing POST and booting. Either the Administrator or User password may be used.

If an Administrator password has not been set, this option will be grayed out and unavailable. If this option is enabled and the Administrator password is removed, that will also disable this option.

[Back to \[Security Screen\]](#) — [Back to \[Screen Map\]](#)

6. Front Panel Lockout

Option Values: Enabled
Disabled

Help Text:

If enabled, locks the power button OFF function and the reset and NMI Diagnostic Interrupt buttons on the system's front panel. If [Enabled] is selected, power off and reset must be controlled using a system management interface, and the NMI Diagnostic Interrupt is not available.

[Back to \[Security Screen\]](#) — [Back to \[Screen Map\]](#)

7. TPM State

Option Values: <Displays current TPM Device State>

May be:
Enabled & Activated
Enabled & Deactivated
Disabled & Activated
Disabled & Deactivated

Help Text: <None>

Comments: *Information only.* Shows the current TPM device state.

A **Disabled** TPM device does not execute commands that use the TPM functions and TPM security operations are not available.

An **Enabled & Deactivated** TPM is in the same state as a disabled TPM, except that setting of the TPM ownership is allowed if it is not present already.

An **Enabled & Activated** TPM executes all commands that use the TPM functions and TPM security operations are also available.

Note: This option appears only on boards equipped with a TPM.

[Back to \[Security Screen\]](#) — [Back to \[Screen Map\]](#)

8. TPM Administrative Control

Option Values: **No Operation**
Turn On
Turn Off
Clear Ownership

Help Text:

[No Operation] - No changes to current state.

[Turn On] - Enables and activates TPM.

[Turn Off] - Disables and deactivates TPM.

[Clear Ownership] - Removes TPM ownership & returns TPM to factory default state.

Note: Setting returns to [No Operation] on every boot.

Comments: Any Administrative Control operation selected will require the system to perform a Hard Reset in order to become effective.

Note: This option appears only on boards equipped with a TPM.

Back to [Security Screen] — Back to [Screen Map]

Server Management Screen (Tab)

The Server Management screen allows the user to configure several server management features. This screen also provides an access point to the screens for configuring Console Redirection, displaying system information, and controlling the BMC LAN configuration.

To access this screen from the **Main** screen or other top-level “Tab” screen, press the right or left arrow keys to traverse the tabs at the top of the Setup screen until the **Server Management** screen is selected.

Figure 95. Server Management Screen



Screen Field Descriptions:

1. Assert NMI on SERR

Option Values: **Enabled**
 Disabled

Help Text:

On SERR, generate an NMI and log an error.

Note: [Enabled] must be selected for the Assert NMI on PERR setup option to be visible.

Comments: This option allows the system to generate an NMI when an SERR occurs, which is a method Legacy Operating System error handlers may use instead of processing a Machine Check.

Back to [Server Management Screen] — [Screen Map]

2. Assert NMI on PERR

Option Values: **Enabled**
 Disabled

Help Text:

On PERR, generate an NMI and log an error.

Note: This option is only active if the Assert NMI on SERR option has [Enabled] selected.

Comments: This option allows the system to generate an NMI when a PERR occurs, which is a method Legacy Operating System error handlers may use instead of processing a Machine Check.

Back to [Server Management Screen] — [Screen Map]

3. Reset on CATERR

Option Values: **Enabled**
 Disabled

Help Text:

When enabled system gets reset upon encountering Catastrophic Error (CATERR); when disabled system does not get reset on CATERR.

Comments: This option controls whether the system will be reset when the “Catastrophic Error” CATERR# signal is held asserted, rather than just pulsed to generate an SMI. This indicates that the processor has encountered a fatal hardware error.

Note: If “Reset on CATERR” is Disabled, this can result in a system hang for certain error conditions, possibly with the system unable to update the System Status LED or log an error to the SEL before hanging.

Back to [Server Management Screen] — [Screen Map]

4. Resume on AC Power Loss

Option Values: **Stay Off**
 Last State
 Power On

Help Text:

System action to take on AC power loss recovery.

[Stay Off] - System stays off.

[Last State] - System returns to the same state before the AC power loss.

[Power On] - System powers on.

Comments: This option controls the policy that the BMC will follow when AC power is restored after an unexpected power outage. The BMC will either hold DC power off or always turn it on to boot the system, depending on this setting – and in the case of **Last State**, depending on whether the power was on and the system was running before the AC power went off.

When this setting is changed in Setup, the new setting will be sent to the BMC. However, the BMC maintains (“owns”) this Power Restore Policy setting, and it can be changed independently with an IPMI command to the BMC. BIOS gets this setting from the BMC early in POST, and also for the Setup Server Management screen.

Back to [Server Management Screen] — [Screen Map]

5. Power Restore Delay

Option Values: **Disabled**
 Auto
 Fixed

Help Text:

Allows a delay in powering up after a power failure, to reduce peak power requirements. The delay can be fixed or automatic between 25-300 seconds.

Comments: When the AC power resume policy (above) is either **Power On** or **Last State**, this option allows a delay to be taken after AC power is restored before the system actually begins to power up. This delay can be either a fixed time or an “automatic” time, where “automatic” means that the BIOS will select a randomized delay time of 25-300 seconds when it sends the Power Restore Delay setting to the BMC.

This option will be grayed out and unavailable when the AC power resume policy is **Stay Off**.

The Power Restore Delay setting is maintained by BIOS. This setting does not take effect until a reboot is done. Early in POST, the Power Restore Policy is read from the BMC, and if the policy is **Power On** or **Last State**, the delay settings are sent to the BMC.

Bear in mind that even if the Power Restore Delay is **Disabled**, there will still be a delay of about 20 seconds while the BMC itself boots up after AC power is restored.

Note: *This Power Restore Delay option applies only to powering on when AC is applied. It has no effect on powering the system up using the Power Button on the Front Panel. A DC power on using the Power Button is not delayed.*

The purpose of this delay is to avoid having all systems draw “startup surge” power at the same time. Different systems or racks of systems can be set to different delay times to spread out the startup power draws. Alternatively, all systems can be set to Automatic, and then each system will wait for a random period before powering up.

Back to [Server Management Screen] — [Screen Map]

6. Power Restore Delay Value

Option Values: *[Entry Field 25 – 300, 25 is default]*

Help Text:

Fixed time period 25-300 seconds for Power Restore Delay.

Comments: When the power restore policy is **Power On** or **Last State**, and the Power Restore Delay selection is **Fixed**, this field allows for specifying how long in seconds that fixed delay will be.

When the Power Restore Delay is **Disabled** or **Auto**, this field will be grayed out and unavailable.

The **Power Restore Delay Value** setting is maintained by BIOS. This setting does not take effect until a reboot is done. Early in POST, the Power Restore Policy is read from the BMC, and if the policy is **Power On** or **Last State**, the delay settings are sent to the BMC. When the **Power Restore Delay** setting is **Fixed**, this delay value is used to provide the length of the delay.

[Back to \[Server Management Screen\]](#) — [\[Screen Map\]](#)

7. Clear System Event Log

Option Values: Enabled
Disabled

Help Text:

If enabled, clears the System Event Log. All current entries will be lost.

Note: This option is reset to [Disabled] after a reboot.

Comments: This option sends a message to the BMC to request it to clear the System Event Log. The log will be cleared, and then the “Clear” action itself will be logged as an event. This gives the user a time/date for when the log was cleared.

[Back to \[Server Management Screen\]](#) — [\[Screen Map\]](#)

8. FRB-2 Enable

Option Values: **Enabled**
Disabled

Help Text:

Fault Resilient Boot (FRB).

BIOS programs the BMC watchdog timer for approximately 6 minutes. If BIOS does not complete POST before the timer expires, the BMC will reset the system.

Comments: This option controls whether the system will be reset if the BMC Watchdog Timer detects what appears to be a hang during POST. When the BMC Watchdog Timer is purposed as an FRB-2 timer, it is initially set to allow 6 minutes for POST to complete.

However, the FRB-2 Timer is suspended during times when some lengthy operations are in progress, like executing Option ROMs, during Setup, and when BIOS is waiting for a password or for input to the F6 BBS Boot Menu. The FRB-2 Timer is also suspended while POST is paused with the <Pause> key.

[Back to \[Server Management Screen\]](#) — [\[Screen Map\]](#)

9. OS Boot Watchdog Timer

Option Values: Enabled
Disabled

Help Text:

BIOS programs the watchdog timer with the timeout value selected. If the OS does not complete booting before the timer expires, the BMC will reset the system and an error will be logged.

Requires OS support or Intel Management Software Support.

Comments: This option controls whether the system will set the BMC Watchdog to detect an apparent hang during OS boot. BIOS sets the timer before starting the OS bootstrap load procedure. If the OS Load Watchdog Timer times out, then presumably the OS failed to boot properly.

If the OS does boot up successfully, it must be aware of the OS Load Watchdog Timer and immediately turn it off before it expires. The OS may turn off the timer, or more often the timer may be repurposed as an OS Watchdog Timer to protect against runtime OS hangs.

Unless the OS does have timer-aware software to support the OS Load Watchdog Timer, the system will be unable to boot successfully with the OS Load Watchdog Timer enabled. When the timer expires without having been reset or turned off, the system will either reset or power off repeatedly.

[Back to \[Server Management Screen\]](#) — [\[Screen Map\]](#)

10. OS Boot Watchdog Timer Policy

Option Values: **Power off**
Reset

Help Text:

*If the OS watchdog timer is enabled, this is the system action taken if the watchdog timer expires.
[Reset] - System performs a reset.
[Power Off] - System powers off.*

Comments: This option is grayed out and unavailable when the O/S Boot Watchdog Timer is disabled.

[Back to \[Server Management Screen\]](#) — [\[Screen Map\]](#)

11. OS Boot Watchdog Timer Timeout

Option Values: 5 minutes
10 minutes
15 minutes
20 minutes

Help Text:

If the OS watchdog timer is enabled, this is the timeout value BIOS will use to configure the watchdog timer.

Comments: This option is grayed out and unavailable when the O/S Boot Watchdog Timer is disabled.

[Back to \[Server Management Screen\]](#) — [\[Screen Map\]](#)

12. Plug & Play BMC Detection

Option Values: Enabled
Disabled

Help Text:

If enabled, the BMC will be detectable by OSes which support plug and play loading of an IPMI driver. Do not enable this option if your OS does not support this driver.

Comments: This option controls whether the OS Server Management Software will be able to find the BMC and automatically load the correct IPMI support software for it. If your OS does not support Plug & Play for the BMC, you will not have the correct IPMI driver software loaded.

[Back to \[Server Management Screen\]](#) — [\[Screen Map\]](#)

13. EuP LOT6 Off-Mode

Option Values: Enabled
 Disabled

Help Text:

Enable/disable Ecodesign EuP LOT6 “Deep Sleep” Off-Mode for near-zero energy use when powered off.

Comments: This option controls whether the system goes into “Deep Sleep” or more conventional S5 “Soft-Off” when powered off. “Deep Sleep” state uses less energy than S5 but S5 can start up faster and can allow a Wake on LAN action (which cannot be done from a Deep Sleep state).

This option will not appear on platforms which do not support EuP LOT6 Off-Mode. For details on which platform do support it.

[Back to \[Server Management Screen\]](#) — [\[Screen Map\]](#)

14. Console Redirection

Option Values: <None>

Help Text: *View/Configure Console Redirection information and settings.*

Comments: Selection only. Select this line and press the <Enter> key to go to the **Console Redirection** group of configuration settings.

[Back to \[Server Management Screen\]](#) — [\[Screen Map\]](#)

15. System Information

Option Values: <None>

Help Text: *View System Information.*

Comments: Selection only. Select this line and press the <Enter> key to go to the **System Information** group of configuration settings.

[Back to \[Server Management Screen\]](#) — [\[Screen Map\]](#)

16. BMC LAN Configuration

Option Values: <None>

Help Text: *View/Configure BMC LAN and user settings.*

Comments: Selection only. Select this line and press the <Enter> key to go to the **BMC LAN Configuration** group of configuration settings.

[Back to \[Server Management Screen\]](#) — [\[Screen Map\]](#)

Console Redirection

The Console Redirection screen allows the user to enable or disable Console Redirection for Remote System Management, and to configure the connection options for this feature.

To access this screen from the **Main** screen, select **Server Management > Console Redirection**. To move to another screen, press the <Esc> key to return to the **Server Management** screen, then select the desired screen.

When Console Redirection is active, all POST and Setup displays are in Text Mode. The Quiet Boot setting is disregarded, and the Text Mode POST Diagnostic Screen will be displayed regardless of the Quiet Boot setting. This is due to the limitations of Console Redirection, which is based on data terminal emulation using a serial data interface to transfer character data.

Console Redirection can use either of the two Serial Ports provided by the SuperIO in the BMC. However, if Console Redirection is to be coordinated with Serial Over LAN, the user should be aware that SOL is only supported through Serial Port A (except for W2600CR, which only has Serial B and supports SOL on Serial B).

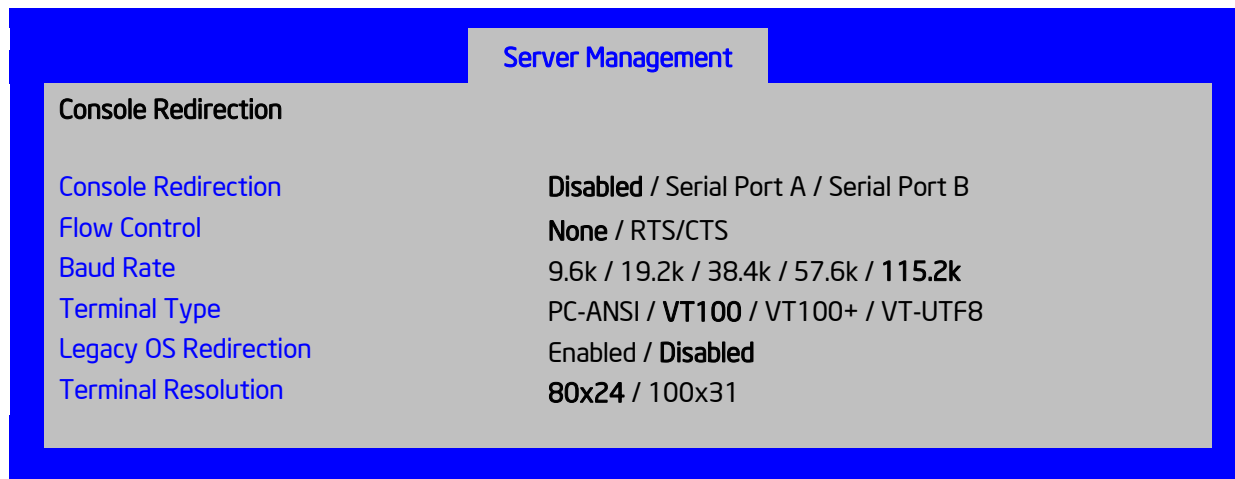


Figure 96. Console Redirection Screen

Screen Field Descriptions:

1. Console Redirection

Option Values: **Disabled**
Serial Port A
Serial Port B

Help Text:

Console redirection allows a serial port to be used for server management tasks.

[Disabled] - No console redirection.

[Serial Port A] - Configure serial port A for console redirection.

Enabling this option will disable display of the Quiet Boot logo screen during POST.

Comments: Serial Console Redirection can use either Serial Port A or Serial Port B. If SOL is also going to be configured, note that SOL is only supported through Serial Port A (with the exception of W2600CR, which only has Serial B so supports SOL on Serial B).

When Console Redirection is set to *Disabled*, all other options on this screen will be grayed out and unavailable.

Only Serial Ports which are *Enabled* should be available to choose for Console Redirection. If neither Serial A nor Serial B is set to *Enabled*, then Console Redirection will be forced to *Disabled*, and grayed out as inactive. In that case, all other options on this screen will also be grayed.

[Back to \[Console Redirection Screen\]](#) — [\[Server Management Screen\]](#) — [\[Screen Map\]](#)

2. Flow Control

Option Values: **None**
 RTS/CTS

Help Text:

*Flow control is the handshake protocol.
This setting must match the remote terminal application.
[None] - Configure for no flow control.
[RTS/CTS] - Configure for hardware flow control.*

Comments: Flow control is necessary only when there is a possibility of data overrun. In that case the Request To Send/Clear to Send (RTS/CTS) hardware handshake is a relatively conservative protocol which can usually be configured at both ends.

When Console Redirection is set to *Disabled*, this option will be grayed out and unavailable.

[Back to \[Console Redirection Screen\]](#) — [\[Server Management Screen\]](#) — [\[Screen Map\]](#)

3. Baud Rate

Option Values: 9.6k
 19.2k
 38.4k
 57.6k
 115.2k

Help Text:

Serial port transmission speed. This setting must match the remote terminal application.

Comments: In most modern Server Management applications, serial data transfer is consolidated over an alternative faster medium like LAN, and 115.2k is the speed of choice.

When Console Redirection is set to *Disabled*, this option will be grayed out and unavailable.

[Back to \[Console Redirection Screen\]](#) — [\[Server Management Screen\]](#) — [\[Screen Map\]](#)

4. Terminal Type

Option Values: PC-ANSI
 VT100
 VT100+
 VT-UTF8

Help Text:

Character formatting used for console redirection. This setting must match the remote terminal application.

Comments: The VT100 and VT100+ terminal emulations are essentially the same. VT-UTF8 is a UTF8 encoding of VT100+. PC-ANSI is the native character encoding used by PC-compatible applications and emulators.

When Console Redirection is set to *Disabled*, this option will be grayed out and unavailable.

[Back to \[Console Redirection Screen\]](#) — [\[Server Management Screen\]](#) — [\[Screen Map\]](#)

5. Legacy OS Redirection

Option Values: Enabled
 Disabled

Help Text:

This option enables legacy OS redirection (that is, DOS) on serial port. If it is enabled, the associated serial port is hidden from the legacy OS.

Comments: Operating Systems which are “redirection-aware” implement their own Console Redirection mechanisms. For a Legacy OS which is not “aware”, this option allows the BIOS to handle redirection.

When Console Redirection is set to *Disabled*, this option will be grayed out and unavailable.

[Back to \[Console Redirection Screen\]](#) — [\[Server Management Screen\]](#) — [\[Screen Map\]](#)

6. Terminal Resolution

Option Values: **80x24**
100x31

Help Text:

Remote Terminal Resolution

Comments: This option allows the use of a larger terminal screen area, although it does not change Setup displays to match.

When Console Redirection is set to *Disabled*, this option will be grayed out and unavailable.

[Back to \[Console Redirection Screen\]](#) — [\[Server Management Screen\]](#) — [\[Screen Map\]](#)

System Information

The System Information screen allows the user to view part numbers, serial numbers, and firmware revisions. This is an *Information Only* screen

To access this screen from the *Main* screen, select ***Server Management > System Information***. To move to another screen, press the <Esc> key to return to the ***Server Management*** screen, then select the desired screen.

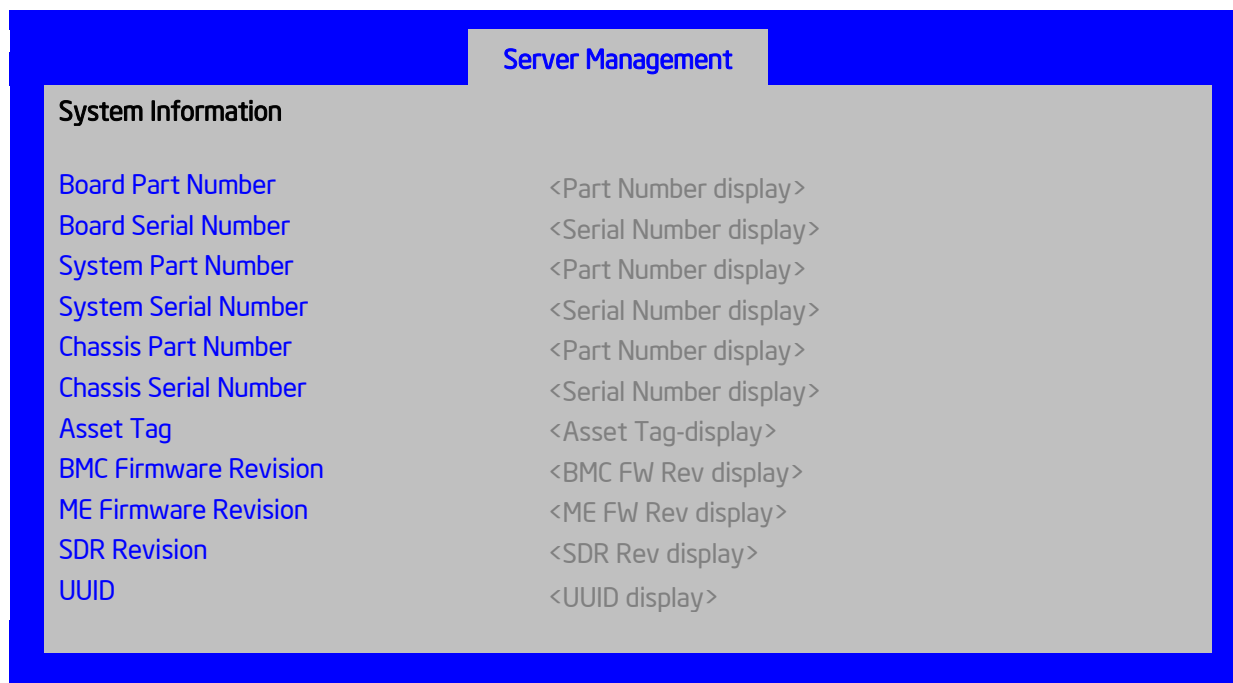


Figure 97. System Information Screen

Screen Field Descriptions:**1. Board Part Number**

Option Values: <Part Number display>

Help Text: <None>

Comments: *Information only.****[Back to \[System Information Screen\]](#) — [\[Server Management Screen\]](#) — [\[Screen Map\]](#)*****2. Board Serial Number**

Option Values: <Serial Number display>

Help Text: <None>

Comments: *Information only.****[Back to \[System Information Screen\]](#) — [\[Server Management Screen\]](#) — [\[Screen Map\]](#)*****3. System Part Number**

Option Values: <Part Number display>

Help Text: <None>

Comments: *Information only.****[Back to \[System Information Screen\]](#) — [\[Server Management Screen\]](#) — [\[Screen Map\]](#)*****4. System Serial Number**

Option Values: <Serial Number display>

Help Text: <None>

Comments: [Information only.](#)

[Back to \[System Information Screen\]](#) — [\[Server Management Screen\]](#) — [\[Screen Map\]](#)

5. Chassis Part Number

Option Values: <Part Number display>

Help Text: <None>

Comments: [Information only.](#)

[Back to \[System Information Screen\]](#) — [\[Server Management Screen\]](#) — [\[Screen Map\]](#)

6. Chassis Serial Number

Option Values: <Serial Number display>

Help Text: <None>

Comments: [Information only.](#)

[Back to \[System Information Screen\]](#) — [\[Server Management Screen\]](#) — [\[Screen Map\]](#)

7. Asset Tag

Option Values: <Asset Tag-display>

Help Text: <None>

Comments: [Information only.](#)

[Back to \[System Information Screen\]](#) — [\[Server Management Screen\]](#) — [\[Screen Map\]](#)

8. BMC Firmware Revision

Option Values: <BMC FW Rev display>

Help Text: <None>

Comments: [Information only.](#)

[Back to \[System Information Screen\]](#) — [\[Server Management Screen\]](#) — [\[Screen Map\]](#)

9. ME Firmware Revision

Option Values: <ME FW Rev display>

Help Text: <None>

Comments: [Information only.](#)

[Back to \[System Information Screen\]](#) — [\[Server Management Screen\]](#) — [\[Screen Map\]](#)

10. SDR Revision

Option Values: <SDR Rev display>

Help Text: <None>

Comments: [Information only.](#)

[Back to \[System Information Screen\]](#) — [\[Server Management Screen\]](#) — [\[Screen Map\]](#)

11. UUID

Option Values: <UUID display>

Help Text: <None>

Comments: [Information only.](#)

[Back to \[System Information Screen\]](#) — [\[Server Management Screen\]](#) — [\[Screen Map\]](#)

BMC LAN Configuration

To access this screen from the *Main* screen, select ***Server Management > BMC LAN Configuration***. To move to another screen, press the <Esc> key to return to the *Server Management* screen, then select the desired screen.

The BMC configuration screen allows the user to configure the BMC Baseboard LAN channel and an Intel® RMM4 LAN channel, and to manage BMC User settings for up to five BMC Users.

An Intel® RMM4 Management Module may be installed in the server system.

If the Management Module is installed, it may also have a Dedicated Server Management NIC Module (DMN) installed with it. In that case, the LAN settings for the Intel® RMM4 with Dedicated Server Management NIC may be configured.

When there is no Management Module installed in the system, or there is an Intel® RMM4-Lite without a DMN installed, the LAN settings specific to the Intel® RMM4 are grayed out and not available.

This screen has a choice of IPv4 or IPv6 addressing. When IPv6 is disabled, only the IPv4 addressing options appear. When IPv6 is enabled, the IPv4 options are grayed out and unavailable, and there is an additional section active for IPv6-addressing. This is true for both the Baseboard LAN configuration and the Intel® RMM4 with Dedicated Server Management NIC Module.

IP addresses for either IPv4 or IPv6 addressing can be assigned by static IP addresses manually typed in, or by dynamic IP addresses supplied by a Dynamic Host Configuration Protocol (DHCP) server. IPv6 addressing can also be provided by “stateless autoconfiguration” which does not require a DHCP server.

The BMC LAN Configuration screen is unusual in that the LAN Configuration parameters are maintained by the BMC itself, so this screen is just a User Interface to the BMC configuration. As such, the initial values of the LAN options shown on the screen are acquired from the BMC when this screen is initially accessed by a user. Any values changed by the user are communicated back to the BMC when a “Save Changes” or “Save Changes and Exit” action is performed. If a “Discard Changes” or “Discard Changes and Exit” action is performed instead, any accumulated changes from this screen will be disregarded and lost.

Server Management	
BMC LAN Configuration	
Baseboard LAN configuration	
IP Source	Static/Dynamic
IP Address	[0.0.0.0]
Subnet Mask	[0.0.0.0]
Gateway IP	[0.0.0.0]
Baseboard LAN IPv6 configuration	
IPv6	Enabled/Disabled
IPv6 Source	Static/Dynamic/Auto
IPv6 Address	[0000.0000.0000.0000.0000.0000.0000.0000]
Gateway IPv6	[0000.0000.0000.0000.0000.0000.0000.0000]
IPv6 Prefix Length	[0 - 128, 64 is default]
Intel(R) RMM4 LAN configuration	
Intel(R) RMM4	<Not Present/Intel(R) RMM4-Lite/Intel(R) RMM4 + DMN>
IP Source	Static/Dynamic
IP Address	[0.0.0.0]
Subnet Mask	[0.0.0.0]
Gateway IP	[0.0.0.0]
Intel(R) RMM4 LAN IPv6 configuration	
IPv6 Source	Static/Dynamic/Auto
IPv6 Address	[0000.0000.0000.0000.0000.0000.0000.0000]
Gateway IPv6	[0000.0000.0000.0000.0000.0000.0000.0000]
IPv6 Prefix Length	[0 - 128, 64 is default]
BMC DHCP Host Name	[DHCP Host Name display/edit]
User Configuration	
User ID	anonymous/root/User3/User4/User5
Privilege	Callback/ User/Operator/Administrator
User Status	Disable/Enable
User Name	[User Name display/edit]
User Password	

Figure 98. BMC LAN Configuration Screen

Screen Field Descriptions:

1. IP Source

Option Values: Static
 Dynamic

Help Text:

Select BMC IP Source: If [Static], IP parameters may be edited. If [Dynamic], these fields are display-only and IP address is acquired automatically (DHCP).

Comments: This specifies the IP Source for IPv4 addressing for the Baseboard LAN. There is a separate IP Source field for the Intel® RMM4 LAN configuration.

When IPv4 addressing is used, the initial value for this field is acquired from the BMC, and its setting determines whether the other Baseboard LAN IPv4 addressing fields are display-only (when **Dynamic**) or can be edited (when **Static**).

When IPv6 addressing is enabled, this field is grayed out and inactive.

[Back to \[BMC LAN Configuration Screen\]](#) — [\[Server Management Screen\]](#) — [\[Screen Map\]](#)

2. IP Address

Option Values: *[Entry Field 0.0.0.0, **0.0.0.0** is default]*

Help Text:

View/Edit IP Address. Press <Enter> to edit.

Comments: This specifies the IPv4 Address for the Baseboard LAN. There is a separate IPv4 Address field for the Intel® RMM4 LAN configuration.

When IPv4 addressing is used, the initial value for this field is acquired from the BMC. The setting of **IP Source** determines whether this field is display-only (when **Dynamic**) or can be edited (when **Static**).

When IPv6 addressing is enabled, this field is grayed out and inactive.

[Back to \[BMC LAN Configuration Screen\]](#) — [\[Server Management Screen\]](#) — [\[Screen Map\]](#)

3. Subnet Mask

Option Values: *[Entry Field 0.0.0.0, **0.0.0.0** is default]*

Help Text:

View/Edit Subnet Mask. Press <Enter> to edit.

Comments: This specifies the IPv4 addressing Subnet Mask for the Baseboard LAN. There is a separate IPv4 Subnet Mask field for the Intel® RMM4 LAN configuration.

When IPv4 addressing is used, the initial value for this field is acquired from the BMC. The setting of **IP Source** determines whether this field is display-only (when **Dynamic**) or can be edited (when **Static**).

When IPv6 addressing is enabled, this field is grayed out and inactive.

[Back to \[BMC LAN Configuration Screen\]](#) — [\[Server Management Screen\]](#) — [\[Screen Map\]](#)

4. Gateway IP

Option Values: *[Entry Field 0.0.0.0, **0.0.0.0** is default]*

Help Text:

View/Edit Gateway IP. Press <Enter> to edit.

Comments: This specifies the IPv4 addressing Gateway IP for the Baseboard LAN. There is a separate IPv4 Gateway IP field for the Intel® RMM4 LAN configuration.

When IPv4 addressing is used, the initial value for this field is acquired from the BMC. The setting of **IP Source** determines whether this field is display-only (when **Dynamic**) or can be edited (when **Static**).

When IPv6 addressing is enabled, this field is grayed out and inactive.

[Back to \[BMC LAN Configuration Screen\]](#) — [\[Server Management Screen\]](#) — [\[Screen Map\]](#)

5. IPv6

Option Values: Enabled
Disabled

Help Text:

Option to Enable/Disable IPv6 addressing and any IPv6 network traffic on these channels.

Comments: The initial value for this field is acquired from the BMC. It may be changed in order to switch between IPv4 and IPv6 addressing technologies.

When this option is set to **Disabled**, all other IPv6 fields will not be visible for the Baseboard LAN and Intel® RMM4 DMN (if installed). When IPv6 addressing is **Enabled**, all IPv6 fields for the Baseboard LAN and Intel® RMM4 DMN will become visible, and all IPv4 fields will be grayed out and inactive.

[Back to \[BMC LAN Configuration Screen\]](#) — [\[Server Management Screen\]](#) — [\[Screen Map\]](#)

6. IPv6 Source

Option Values: Static
Dynamic
Auto

Help Text:

Select BMC IPv6 source: If [Static], IPv6 parameters may be edited. If [Dynamic], these fields are display-only and IPv6 address is acquired automatically (DHCP). If [Auto], these fields are display-only and IPv6 address is acquired using ICMPv6 router / neighbor discovery.

Comments: This specifies the IP Source for IPv6 addressing for the Baseboard LAN configuration. There is a separate IPv6 Source field for the Intel® RMM4 LAN configuration.

This option is only visible when the **IPv6** option is set to **Enabled**.

When IPv6 addressing is **Enabled**, the initial value for this field is acquired from the BMC, and its setting determines whether the other Baseboard LAN IPv6 addressing fields are display-only (when **Dynamic** or **Auto**) or can be edited (when **Static**).

[Back to \[BMC LAN Configuration Screen\]](#) — [\[Server Management Screen\]](#) — [\[Screen Map\]](#)

7. IPv6 Address

Option Values: *[Entry Field 0000:0000:0000:0000:0000:0000:0000:0000,
0000:0000:0000:0000:0000:0000:0000:0000 is default]*

Help Text:

View/Edit IPv6 address. Press <Enter> to edit. IPv6 addresses consist of 8 hexadecimal 4 digit numbers separated by colons.

Comments: This specifies the IPv6 Address for the Baseboard LAN. There is a separate IPv6 Address field for the Intel® RMM4 LAN configuration.

This option is only visible when the **IPv6** option is set to **Enabled**.

When IPv6 addressing is used, the initial value for this field is acquired from the BMC. The setting of **IPv6 Source** determines whether this field is display-only (when **Dynamic** or **Auto**) or can be edited (when **Static**).

[Back to \[BMC LAN Configuration Screen\]](#) — [\[Server Management Screen\]](#) — [\[Screen Map\]](#)

8. Gateway IPv6

Option Values: *[Entry Field 0000:0000:0000:0000:0000:0000:0000:0000, 0000:0000:0000:0000:0000:0000:0000:0000 is default]*

Help Text:

View/Edit Gateway IPv6 address. Press <Enter> to edit. Gateway IPv6 addresses consist of 8 hexadecimal 4 digit numbers separated by colons.

Comments: This specifies the Gateway IPv6 Address for the Baseboard LAN. There is a separate Gateway IPv6 Address field for the Intel® RMM4 LAN configuration.

This option is only visible when the **IPv6** option is set to **Enabled**.

When IPv6 addressing is used, the initial value for this field is acquired from the BMC. The setting of **IPv6 Source** determines whether this field is display-only (when **Dynamic** or **Auto**) or can be edited (when **Static**).

[Back to \[BMC LAN Configuration Screen\]](#) — [\[Server Management Screen\]](#) — [\[Screen Map\]](#)

9. IPv6 Prefix Length

Option Values: *[Entry Field 0 – 128, 64 is default]*

Help Text:

View/Edit IPv6 Prefix Length from zero to 128 (default 64). Press <Enter> to edit.

Comments: This specifies the IPv6 Prefix Length for the Baseboard LAN. There is a separate IPv6 Prefix Length field for the Intel® RMM4 LAN configuration.

This option is only visible when the **IPv6** option is set to **Enabled**.

When IPv6 addressing is used, the initial value for this field is acquired from the BMC. The setting of **IPv6 Source** determines whether this field is display-only (when **Dynamic** or **Auto**) or can be edited (when **Static**).

[Back to \[BMC LAN Configuration Screen\]](#) — [\[Server Management Screen\]](#) — [\[Screen Map\]](#)

10. Intel(R) RMM4

Option Values: *Not Present
Intel(R) RMM4-Lite
Intel(R) RMM4 + DMN*

Help Text: *<None>*

Comments: *Information only.* Displays whether an Intel® RMM4 component is currently installed. This information may come from querying the BMC.

Intel® RMM4-Lite is the Management Module without the Dedicated Server Management NIC Module. When this is present, or if the Management Module is **Not Present** at all, the fields for Intel® RMM4 LAN Configuration will not be visible.

When an **Intel® RMM4 + DMN** is installed, the options for **Intel® RMM4 LAN Configuration** will be visible. When **IPv6** is **Disabled**, the IPv4 configuration fields will be visible and the IPv6

configuration fields will not be visible. When **IPv6** is **Enabled**, the IPv4 fields will be grayed out and inactive, while the IPv6 Configuration fields will be visible.

In either case, the Intel® RMM4 section **IP Source** or **IPv6 Source** will determine whether the IPv4 or IPv6 address fields are display-only or can be edited.

[Back to \[BMC LAN Configuration Screen\]](#) — [\[Server Management Screen\]](#) — [\[Screen Map\]](#)

11. IP Source

Option Values: Static
 Dynamic

Help Text:

Select RMM4 IP source: If [Static], IP parameters may be edited. If [Dynamic], these fields are display-only and IP address is acquired automatically (DHCP).

Comments: This specifies the IP Source for IPv4 addressing for the Intel® RMM4 DMN LAN connection. There is a separate IP Source field for the Baseboard LAN configuration.

When IPv4 addressing is used, the initial value for this field is acquired from the BMC, and its setting determines whether the other Intel® RMM4 DMN LAN IPv4 addressing fields are display-only (when **Dynamic**) or can be edited (when **Static**).

When IPv6 addressing is enabled, this field is grayed out and inactive.

[Back to \[BMC LAN Configuration Screen\]](#) — [\[Server Management Screen\]](#) — [\[Screen Map\]](#)

12. IP Address

Option Values: *[Entry Field 0.0.0.0, **0.0.0.0** is default]*

Help Text:

View/Edit IP Address. Press <Enter> to edit.

Comments: This specifies the IPv4 Address for the Intel® RMM4 DMN LAN. There is a separate IPv4 Address field for the Baseboard LAN configuration.

When IPv4 addressing is used, the initial value for this field is acquired from the BMC. The setting of **IP Source** determines whether this field is display-only (when **Dynamic**) or can be edited (when **Static**).

When IPv6 addressing is enabled, this field is grayed out and inactive.

[Back to \[BMC LAN Configuration Screen\]](#) — [\[Server Management Screen\]](#) — [\[Screen Map\]](#)

13. Subnet Mask

Option Values: *[Entry Field 0.0.0.0, **0.0.0.0** is default]*

Help Text:

View/Edit Subnet Mask. Press <Enter> to edit.

Comments: This specifies the IPv4 addressing Subnet Mask for the Intel® RMM4 DMN LAN. There is a separate IPv4 Subnet Mask field for the Baseboard LAN configuration.

When IPv4 addressing is used, the initial value for this field is acquired from the BMC. The setting of **IP Source** determines whether this field is display-only (when **Dynamic**) or can be edited (when **Static**).

When IPv6 addressing is enabled, this field is grayed out and inactive.

[Back to \[BMC LAN Configuration Screen\]](#) — [\[Server Management Screen\]](#) — [\[Screen Map\]](#)

14. Gateway IP

Option Values: *[Entry Field 0.0.0.0, **0.0.0.0** is default]*

Help Text:

View/Edit Gateway IP. Press <Enter> to edit.

Comments: This specifies the IPv4 addressing Gateway IP for the Intel® RMM4 DMN LAN. There is a separate IPv4 Gateway IP field for the Baseboard LAN configuration.

When IPv4 addressing is used, the initial value for this field is acquired from the BMC. The setting of **IP Source** determines whether this field is display-only (when **Dynamic**) or can be edited (when **Static**).

When IPv6 addressing is enabled, this field is grayed out and inactive.

[Back to \[BMC LAN Configuration Screen\]](#) — [\[Server Management Screen\]](#) — [\[Screen Map\]](#)

15. IPv6 Source

Option Values: Static
 Dynamic
 Auto

Help Text:

Select Intel(R) RMM4 IPv6 source: If [Static], IPv6 parameters may be edited. If [Dynamic], these fields are display-only and IPv6 address is acquired automatically (DHCP). If [Auto], these fields are display-only and IPv6 address is acquired using ICMPv6 router / neighbor discovery.

Comments: This specifies the IP Source for IPv6 addressing for the Intel® RMM4 DMN LAN configuration. There is a separate IPv6 Source field for the Baseboard LAN configuration.

This option is only visible when the **IPv6** option is set to **Enabled**.

When IPv6 addressing is **Enabled**, the initial value for this field is acquired from the BMC, and its setting determines whether the other Intel® RMM4 DMN LAN IPv6 addressing fields are display-only (when **Dynamic** or **Auto**) or can be edited (when **Static**).

[Back to \[BMC LAN Configuration Screen\]](#) — [\[Server Management Screen\]](#) — [\[Screen Map\]](#)

16. IPv6 Address

Option Values: *[Entry Field 0000:0000:0000:0000:0000:0000:0000:0000, **0000:0000:0000:0000:0000:0000:0000:0000** is default]*

Help Text:

View/Edit IPv6 address. Press <Enter> to edit. IPv6 addresses consist of 8 hexadecimal 4 digit numbers separated by colons.

Comments: This specifies the IPv6 Address for the Intel® RMM4 DMN LAN. There is a separate IPv6 Address field for the Baseboard LAN configuration.

This option is only visible when the **IPv6** option is set to **Enabled**.

When IPv6 addressing is used, the initial value for this field is acquired from the BMC. The setting of **IPv6 Source** determines whether this field is display-only (when **Dynamic** or **Auto**) or can be edited (when **Static**).

[Back to \[BMC LAN Configuration Screen\]](#) — [\[Server Management Screen\]](#) — [\[Screen Map\]](#)

17. Gateway IPv6

Option Values: *[Entry Field 0000:0000:0000:0000:0000:0000:0000:0000, 0000:0000:0000:0000:0000:0000:0000:0000 is default]*

Help Text:

View/Edit Gateway IPv6 address. Press <Enter> to edit. Gateway IPv6 addresses consist of 8 hexadecimal 4 digit numbers separated by colons.

Comments: This specifies the Gateway IPv6 Address for the Intel® RMM4 DMN LAN. There is a separate Gateway IPv6 Address field for the Baseboard LAN configuration.

This option is only visible when the **IPv6** option is set to **Enabled**.

When IPv6 addressing is used, the initial value for this field is acquired from the BMC. The setting of **IPv6 Source** determines whether this field is display-only (when **Dynamic** or **Auto**) or can be edited (when **Static**).

[Back to \[BMC LAN Configuration Screen\]](#) — [\[Server Management Screen\]](#) — [\[Screen Map\]](#)

18. IPv6 Prefix Length

Option Values: *[Entry Field 0 – 128, 64 is default]*

Help Text:

View/Edit IPv6 Prefix Length from zero to 128 (default 64). Press <Enter> to edit.

Comments: This specifies the IPv6 Prefix Length for the Intel® RMM4 DMN LAN. There is a separate IPv6 Prefix Length field for the Baseboard LAN configuration.

This option is only visible when the **IPv6** option is set to **Enabled**.

When IPv6 addressing is used, the initial value for this field is acquired from the BMC. The setting of **IPv6 Source** determines whether this field is display-only (when **Dynamic** or **Auto**) or can be edited (when **Static**).

[Back to \[BMC LAN Configuration Screen\]](#) — [\[Server Management Screen\]](#) — [\[Screen Map\]](#)

19. BMC DHCP Host Name

Option Values: *[Entry Field, 2-63 characters]*

Help Text:

View/Edit BMC DHCP host name. Press <Enter> to edit. Host name should start with an alphabetic, remaining can be alphanumeric characters. Host name length may be from 2 to 63 characters.

Comments: This field is active and may be edited whenever at least one of the **IP Source** or **IPv6 Source** options is set to **Dynamic**. This is the name of the DHCP Host from which dynamically assigned IPv4 or IPv6 addressing parameters are acquired.

The initial value for this field is supplied from the BMC, if there is a DHCP Host available. The user can edit the existing Host or enter a different DHCP Host Name.

If none of the **IP/IPv6 Source** fields is set to **Dynamic**, then this **BMC DHCP Host Name** field will be grayed out and inactive.

[Back to \[BMC LAN Configuration Screen\]](#) — [\[Server Management Screen\]](#) — [\[Screen Map\]](#)

20. User ID

Option Values: **anonymous**
root
User3

User4
User5

Help Text:

Select the User ID to configure: User1 (anonymous), User2 (root), and User3/4/5 are supported.

Comments: These 5 User IDs are fixed choices and cannot be changed. The BMC supports 15 User IDs natively but only the first 5 are supported through this interface.

[Back to \[BMC LAN Configuration Screen\]](#) — [\[Server Management Screen\]](#) — [\[Screen Map\]](#)

21. Privilege

Option Values: Callback
User
Operator
Administrator

Help Text:

View/Select user privilege. User2 (root) privilege is "Administrator" and cannot be changed.

Comments: The level of privilege that is assigned for a User ID affects which functions that user may perform.

[Back to \[BMC LAN Configuration Screen\]](#) — [\[Server Management Screen\]](#) — [\[Screen Map\]](#)

22. User Status

Option Values: Enabled
Disabled

Help Text:

Enable / Disable LAN access for selected user. Also enables/disables SOL, KVM, and media redirection.

Comments: Note that status setting is **Disabled** by default until set to **Enabled**.

[Back to \[BMC LAN Configuration Screen\]](#) — [\[Server Management Screen\]](#) — [\[Screen Map\]](#)

23. User Name

Option Values: *[Entry Field, 4 - 15 characters]*

Help Text:

Press <Enter> to edit User Name. User Name is a string of 4 to 15 alphanumeric characters, and must begin with an alphabetic character. User Name cannot be changed for User1 (anonymous) and User2 (root).

Comments: User Name can only be edited for users other than “anonymous” and “root”. Those two User Names may not be changed.

[Back to \[BMC LAN Configuration Screen\]](#) — [\[Server Management Screen\]](#) — [\[Screen Map\]](#)

24. User Password

Option Values: *[Popup Entry Field, 0 - 15 characters]*

Help Text:

Press <Enter> key to enter password. Maximum length is 15 characters. Any ASCII printable characters can be used: case-sensitive alphabetic, numeric, and special characters.

Note: Password entered will override any previously set password.

Comments: This field will not indicate whether there is a password set already. There is no display - just press <Enter> for a popup with an entry field to enter a new password. Any new password entered will override the previous password, if there was one.

[Back to \[BMC LAN Configuration Screen\]](#) — [\[Server Management Screen\]](#) — [\[Screen Map\]](#)

Boot Options Screen (Tab)

The Boot Options screen displays all bootable media encountered during POST, and allows the user to configure the desired order in which boot devices are to be tried.

To access this screen from the **Main** screen or other top-level “Tab” screen, press the right or left arrow keys to traverse the tabs at the top of the Setup screen until the **Boot Options** screen is selected.

The first boot device in the specified Boot Order which is present and is bootable during POST will be used to boot the system, and will continue to be used to reboot the system until the boot device configuration has changed (that is, which boot devices are present), or until the system has been powered down and booted in a “cold” power-on boot.

Note: USB devices can be “hotplugged” during POST, and will be detected and “beeped”. They will be enumerated and displayed on the USB Configuration Setup screen. However, they may not be enumerated as bootable devices, depending on when in POST they were hotplugged. If they were recognized before the enumeration of bootable devices, they will appear as Boot Devices if appropriate. If they were recognized after Boot Device enumeration, they will not appear as a bootable device for the Boot Options screen, the Boot Manager screen, or the F6 Boot Menu.

There are two main types of boot order control, Legacy Boot and EFI Optimized boot. These are mutually exclusive – when EFI Optimized Boot is enabled, Legacy Boot (the default) is disabled. Within Legacy Boot operation, there are two further methods of ordering boot devices, Dynamic Boot Order and Static Boot Order.

The default for Boot Order control is Legacy Boot, with Dynamic Boot Order. If all types of bootable devices are installed in the system, then the default Boot Order is as follows:

- CD/DVD-ROM
- Floppy Disk Drive
- Hard Disk Drive
- PXE Network Device
- BEV (Boot Entry Vector) Device
- EFI Shell and EFI Boot paths

In this default Boot Order, a USB device may appear in any of several Device Classes, due to the flexibility of USB connections and USB emulation of various types of devices.

Note: A USB Key (USB Flash Drive) can be formatted to emulate either a Floppy Drive or a Hard Drive and will appear in that Boot Device Class. However, although it can be formatted as a CDROM Drive, it will not be detected as such. It will be treated as a Hard Disk and will appear in the list of available Hard Drives.



Figure 99. Boot Options Screen

Screen Field Descriptions:**1. System Boot Timeout**

Option Values: [Entry Field 0 – 65535, 0 is default]

Help Text:

The number of seconds BIOS will pause at the end of POST to allow the user to press the [F2] key for entering the BIOS Setup utility.

Valid values are 0-65535. Zero is the default. A value of 65535 causes the system to go to the Boot Manager menu and wait for user input for every system boot.

Comments: After entering the desired timeout, press the <Enter> key to register that timeout value to the system. These settings are in seconds. The timeout value entered will take effect on the next boot.

This timeout value is independent of the FRB2 setting for BIOS boot failure protection. The FBR2 countdown will be suspended during the time that the Boot Timeout countdown is active.

Also, if the <Pause> key is pressed during the time that the Boot Timeout is active, the Boot Timeout countdown will be suspended until the Pause state has been dismissed and normal POST processing has resumed.

[Back to \[Boot Options Screen\]](#) — [Back to \[Screen Map\]](#)

2. Boot Option #1

3. Boot Option #2

4. Boot Option <#n>

Option Values: <Available Boot Device #n>

Help Text:

Set system boot order by selecting the boot option for this position.

Comments: When the Boot order has been chosen, it will take effect on the next boot. The system will go down the list and boot from the first device on the list which is available and bootable.

This establishes the Boot Order only with respect to the normal boot path. This order has no effect on the Boot Manager selection list or the <F6> BIOS Boot Menu popup, both of which simply list all bootable devices available in the order in which they were detected. Whether or not a potential Boot Device is in this list has no bearing on the presence or order of Boot Devices shown for Boot Manager or the BIOS Boot Menu.

[Back to \[Boot Options Screen\]](#) — [Back to \[Screen Map\]](#)

5. CDROM Order

Option Values: <None>

Help Text:

Set the order of the legacy devices in this group.

Comments: Selection only. Select this line and press the <Enter> key to go to the ***CDROM Order Screen***.

This option appears when one or more bootable CDROM drives are available in the system. This includes USB CDROM devices but not USB Keys formatted for CRDOM emulation, which are seen as Hard Disk drives.

[Back to \[Boot Options Screen\]](#) — [Back to \[Screen Map\]](#)

6. Hard Disk Order

Option Values: <None>

Help Text:

Set the order of the legacy devices in this group.

Comments: Selection only. Select this line and press the <Enter> key to go to the ***Hard Disk Order Screen***.

This option appears when one or more bootable Hard Disk drives are available in the system. This includes USB Hard Disk devices and USB Keys formatted for Hard Disk or CRDOM emulation.

[Back to \[Boot Options Screen\]](#) — [Back to \[Screen Map\]](#)

7. Floppy Order

Option Values: <None>

Help Text:

Set the order of the legacy devices in this group.

Comments: Selection only. Select this line and press the <Enter> key to go to the **Floppy Order Screen**.

This option appears when one or more bootable Floppy Disk drives are available in the system. This includes USB Floppy Disk devices and USB Keys formatted for Floppy Disk emulation.

Back to [Boot Options Screen] — Back to [Screen Map]

8. Network Device Order

Option Values: <None>

Help Text:

Set the order of the legacy devices in this group.

Comments: Selection only. Select this line and press the <Enter> key to go to the **Network Device Order Screen**.

This option appears when one or more bootable Network Devices are available in the system.

Back to [Boot Options Screen] — Back to [Screen Map]

9. BEV Device Order

Option Values: <None>

Help Text:

Set the order of the legacy devices in this group.

Comments: Selection only. Select this line and press the <Enter> key to go to the **BEV Device Order Screen**.

This option appears when one or more bootable BEV Devices are available in the system.

Back to [Boot Options Screen] — Back to [Screen Map]

10. Add EFI Boot Option

Option Values: <None>

Help Text:

Add a new EFI boot option to the boot order.

Comments: Selection only. Select this line and press the <Enter> key to go to the **Add EFI Boot Option Screen**.

This option is only displayed if an EFI bootable device is available to the system.

Back to [Boot Options Screen] — Back to [Screen Map]

11. Delete EFI Boot Option

Option Values: <None>

Help Text:

Remove an EFI boot option from the boot order.

Comments: Selection only. Select this line and press the <Enter> key to go to the **Delete EFI Boot Option Screen**.

This option is only displayed if an EFI boot path is included in the Boot Order.

Back to [Boot Options Screen] — Back to [Screen Map]

12. EFI Optimized Boot

Option Values: Enabled
 Disabled

Help Text:

If enabled, the BIOS only loads modules required for booting EFI-aware Operating Systems.

Comments: If this option is enabled, the system will not boot successfully to a non-EFI-aware OS.

[Back to \[Boot Options Screen\]](#) — [Back to \[Screen Map\]](#)

13. Use Legacy Video for EFI OS

Option Values: Enabled
 Disabled

Help Text:

If enabled, the BIOS uses the legacy video ROM instead of the EFI video ROM.

Comments: This option appears only when EFI Optimized Boot is enabled.

[Back to \[Boot Options Screen\]](#) — [Back to \[Screen Map\]](#)

14. Boot Option Retry

Option Values: Enabled
 Disabled

Help Text:

If enabled, this continually retries non-EFI-based boot options without waiting for user input.

Comments: This option is intended to keep retrying for cases where the boot devices could possibly be slow to initially respond, for example, if the device were “asleep” and did not wake quickly enough. However, if none of the devices in the Boot Order ever responds, the BIOS will continue to reboot indefinitely.

[Back to \[Boot Options Screen\]](#) — [Back to \[Screen Map\]](#)

15. USB Boot Priority

Option Values: Enabled
 Disabled

Help Text:

If enabled, newly discovered USB devices are moved to the top of their boot device category.

If disabled, newly discovered USB devices are moved to the bottom of their boot device category.

Comments: This option enables or disables the “USB Reorder” functionality. USB Boot Priority, if enabled, is intended for the case where a user wants to be able to plug in a USB device and immediately boot to it, for example in case of a maintenance or System Administration operation. If a User Password is installed, USB Boot Priority action is suspended when a User Password is installed.

[Back to \[Boot Options Screen\]](#) — [Back to \[Screen Map\]](#)

16. Static Boot Order

Option Values: Enabled
 Disabled

Help Text:

[Disabled] - Devices removed from the system are deleted from Boot Order Tables.

[Enabled] - Devices removed have positions in Boot Order Tables retained for later reinsertion.

Comments: When the option changes from “Disabled” to “Enabled”, it will enable Static Boot Order (SBO) from the next boot onward, and also the current Boot Order will be stored as the SBO template.

When the option changes from “Enabled” to “Disabled”, this will disable SBO and the SBO template will be cleared.

Otherwise it will retain the current Enabled/Disabled state.

[Back to \[Boot Options Screen\]](#) — [Back to \[Screen Map\]](#)

17. Reset Static Boot Order

Option Values: Yes
 No Action

Help Text:

[Yes] Take snapshot of current boot order to save as Static Boot Order Template.

Comments: This option will allow you to save the Boot Order list as the Static Boot Order template without disabling and re-enabling the Static Boot Order option.

Select Yes to snapshot the current Boot Options list into the Static Boot Options list on the next boot. After saving Static Boot Options list, this option will change back to NoAction automatically.

This option is available only when the Static Boot Order option is Enabled. Otherwise it will grayed out and unavailable.

[Back to \[Boot Options Screen\]](#) — [Back to \[Screen Map\]](#)

CDROM Order

The CDROM Order screen allows the user to control the order in which BIOS attempts to boot from the CDROM drives installed in the system. This screen is only available when there is at least one CDROM device available in the system configuration.

Note: A USB attached CDROM device will appear in this section. However, a USB Key formatted as a CDROM device will not – it will be detected as a Hard Disk device and will be included in the Hard Disk Order Screen.

To access this screen from the **Main** screen, select **Boot Options > CDROM Order**. To move to another screen, press the <Esc> key to return to the **Boot Options** screen, then select the desired screen.

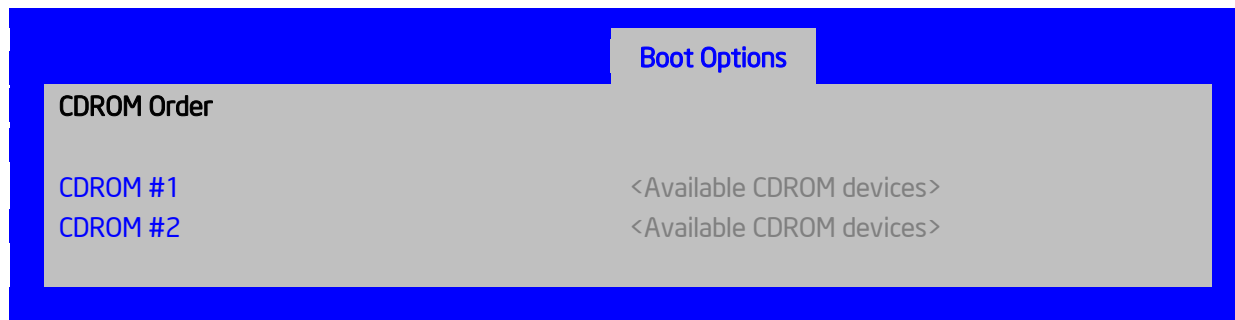


Figure 100. CDROM Order Screen

Screen Field Descriptions:

1. CDROM #1
2. CDROM #2

Option Values: <Available CDROM devices>

Help Text:

Set system boot order by selecting the boot option for this position.

Comments: Choose the order of booting among CDROM devices by choosing which available CDROM device should be in each position in the order.

Back to [CDROM Order Screen] — [Boot Options Screen] — [Screen Map]

Hard Disk Order

The Hard Disk Order screen allows the user to control the order in which BIOS attempts to boot from the hard disk drives installed in the system. This screen is only available when there is at least one hard disk device available in the system configuration. Note that a USB attached Hard Disk drive or a USB Key device formatted as a hard disk will appear in this section.

To access this screen from the *Main* screen, select **Boot Options > Hard Disk Order**. To move to another screen, press the <Esc> key to return to the **Boot Options** screen, then select the desired screen.

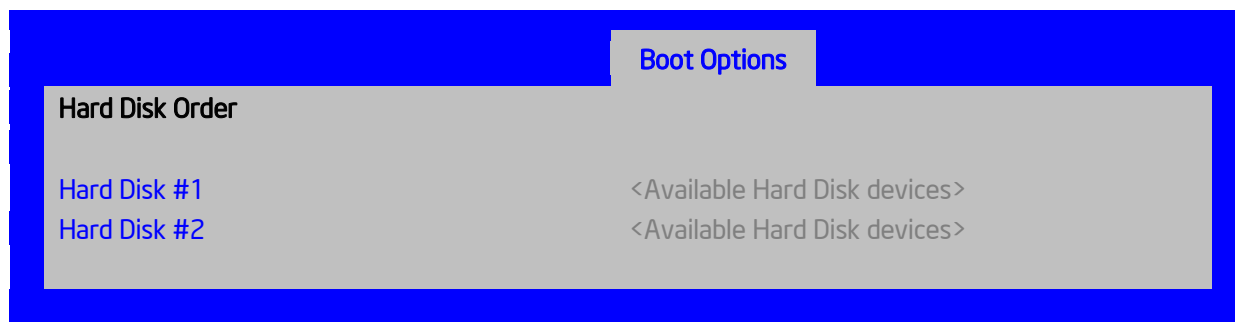


Figure 101. Hard Disk Order Screen

Screen Field Descriptions:

1. Hard Disk #1
2. Hard Disk #2

Option Values: <Available Hard Disk devices>

Help Text:

Set system boot order by selecting the boot option for this position.

Comments: Choose the order of booting among Hard Disk devices by choosing which available Hard Disk device should be in each position in the order.

[Back to \[Hard Disk Order Screen\]](#) — [\[Boot Options Screen\]](#) — [\[Screen Map\]](#)

Floppy Order

The Floppy Order screen allows the user to control the order in which BIOS attempts to boot from the Floppy Disk drives installed in the system. This screen is only available when there is at least one Floppy Disk (diskette) device available in the system configuration. Note that a USB attached diskette drive or a USB Key device formatted as a diskette drive will appear in this section.

To access this screen from the *Main* screen, select **Boot Options > Floppy Order**. To move to another screen, press the <Esc> key to return to the **Boot Options** screen, then select the desired screen.

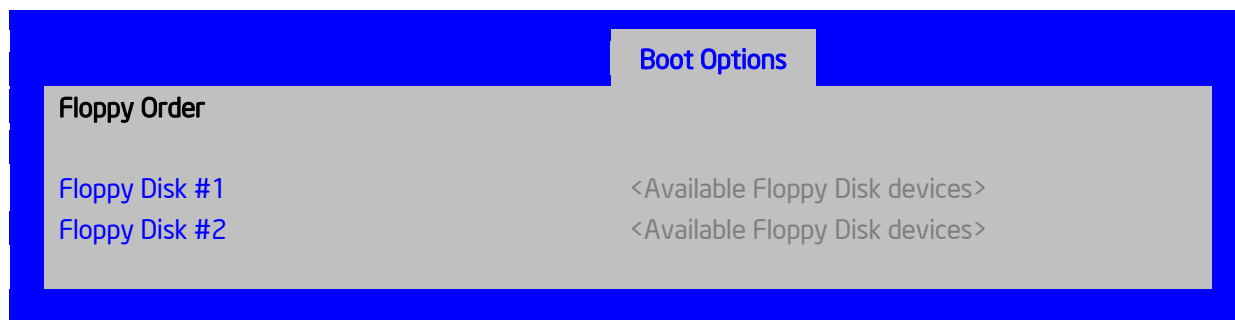


Figure 102. Floppy Order Screen

Screen Field Descriptions:

1. Floppy Disk #1

2. Floppy Disk #2

Option Values: <Available Floppy Disk devices>

Help Text:

Set system boot order by selecting the boot option for this position.

Comments: Choose the order of booting among Floppy Disk devices by choosing which available Floppy Disk device should be in each position in the order.

Back to [Floppy Order Screen] — [Boot Options Screen] — [Screen Map]

Network Device Order

The Network Device Order screen allows the user to control the order in which BIOS attempts to boot from the network bootable devices installed in the system. This screen is only available when there is at least one network bootable device available in the system configuration.

To access this screen from the *Main* screen, select **Boot Options > Network Device Order**. To move to another screen, press the <Esc> key to return to the **Boot Options** screen, then select the desired screen.

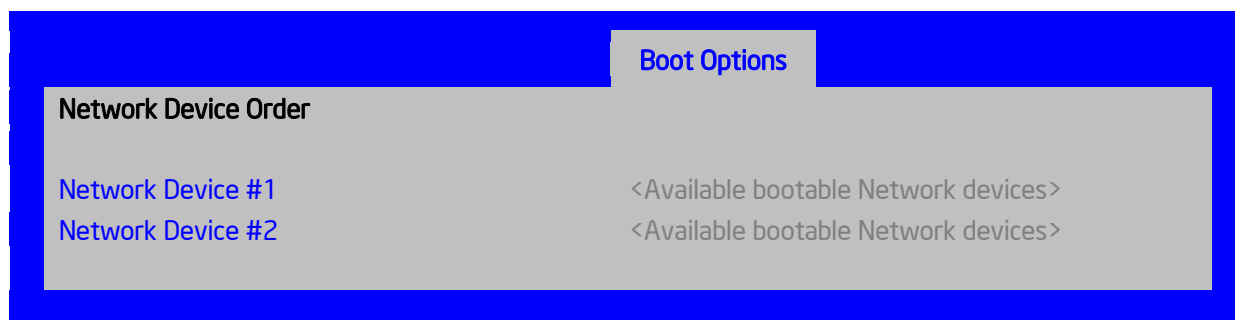


Figure 103. Network Device Order Screen

Screen Field Descriptions:

1. Network Device #1

2. Network Device #2

Option Values: <Available Network Devices>

Help Text:

Set system boot order by selecting the boot option for this position.

Comments: Choose the order of booting among Network Devices by choosing which available Network Device should be in each position in the order.

Back to [Network Device Order Screen] — [Boot Options Screen] — [Screen Map]

BEV Device Order

The BEV Device Order screen allows the user to control the order in which BIOS attempts to boot from the BEV Devices installed in the system. This screen is only available when there is at least one BEV device available in the system configuration.

To access this screen from the *Main* screen, select **Boot Options > BEV Device Order**. To move to another screen, press the <Esc> key to return to the **Boot Options** screen, then select the desired screen.

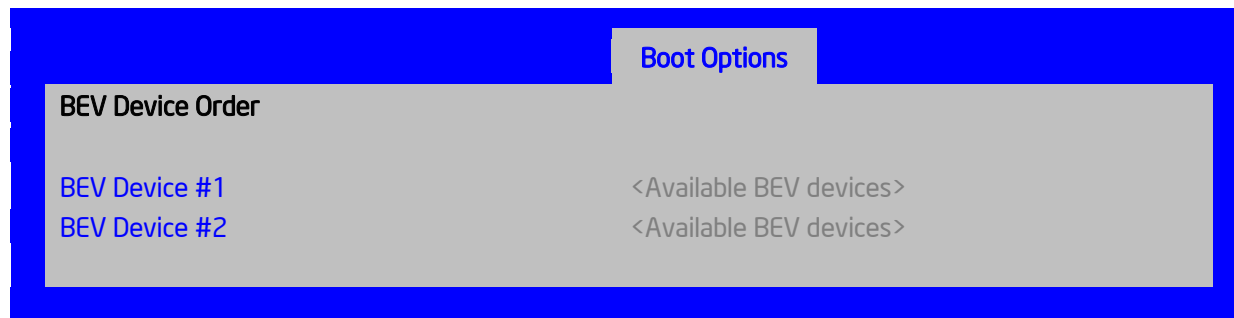


Figure 104. BEV Device Order Screen

Screen Field Descriptions:

1. BEV Device #1
2. BEV Device #2

Option Values: <Available BEV Devices>

Help Text:

Set system boot order by selecting the boot option for this position.

Comments: Choose the order of booting among BEV Devices by choosing which available BEV Device should be in each position in the order.

[Back to \[BEV Device Order Screen\]](#) — [\[Boot Options Screen\]](#) — [\[Screen Map\]](#)

Add EFI Boot Option

The Add EFI Boot Option screen allows the user to add an EFI boot option to the boot order. This screen is only available when there is at least one EFI bootable device present in the system configuration. The “Internal EFI Shell” Boot Option is permanent and cannot be added or deleted.

To access this screen from the *Main* screen, select **Boot Options > Add EFI Boot Option**. To move to another screen, press the <Esc> key to return to the **Boot Options** screen, then select the desired screen.

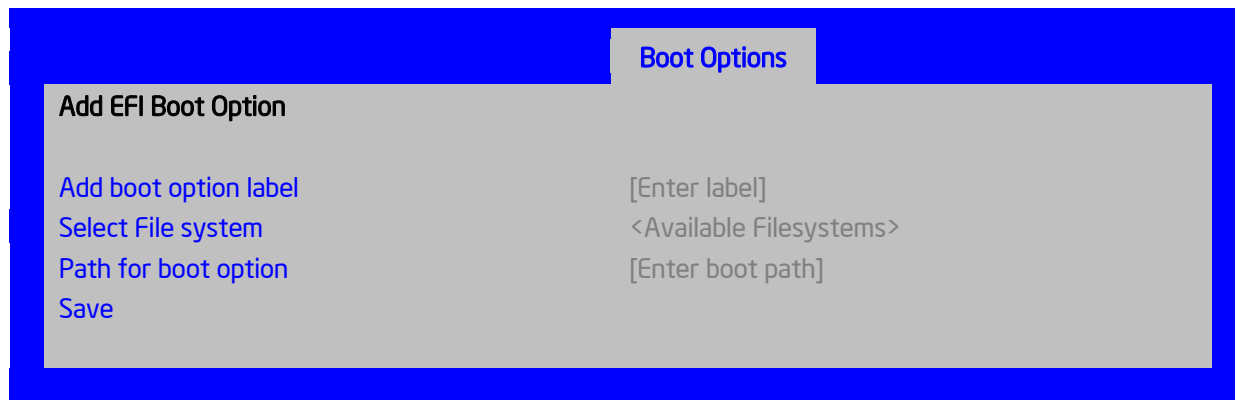


Figure 105. Add EFI Boot Option Screen

Screen Field Descriptions:

1. Add boot option label

Option Values: *[Enter label]*

Help Text:

Create the label for the new boot option.

Comments: This label becomes an abbreviation for this Boot Path.

[Back to \[Add EFI Boot Option Screen\]](#) — [\[Boot Options Screen\]](#) — [\[Screen Map\]](#)

2. Select File system

Option Values: *<Available Filesystems>*

Help Text:

Select one filesystem from this list.

Comments: Choose the filesystem on which this boot path resides.

[Back to \[Add EFI Boot Option Screen\]](#) — [\[Boot Options Screen\]](#) — [\[Screen Map\]](#)

3. Path for boot option

Option Values: *[Enter Boot Path]*

Help Text:

Enter the path to the boot option in the format \path\filename.efi.

Comments: This will be the Boot Path, residing on the filesystem chosen, which will enter into the Boot Order with the Label entered above.

[Back to \[Add EFI Boot Option Screen\]](#) — [\[Boot Options Screen\]](#) — [\[Screen Map\]](#)

4. Save

Option Values: *<None>*

Help Text:

Save the boot option.

Comments: *Selection only.* This will save the new Boot Option into the Boot Order.

[Back to \[Add EFI Boot Option Screen\]](#) — [\[Boot Options Screen\]](#) — [\[Screen Map\]](#)

Delete EFI Boot Option

The Delete EFI Boot Option screen allows the user to remove an EFI boot option from the boot order. The “Internal EFI Shell” Boot Option will not be listed, since it is permanent and cannot be added or deleted.

To access this screen from the *Main* screen, select *Boot Options > Delete EFI Boot Option*. To move to another screen, press the <Esc> key to return to the *Boot Options* screen, then select the desired screen.

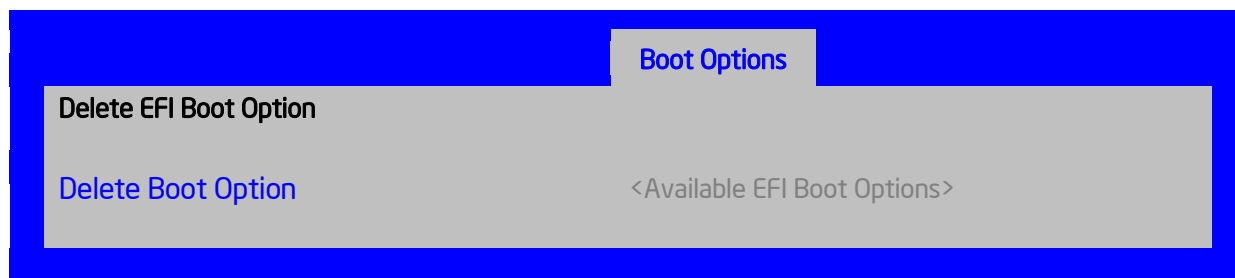


Figure 106. Delete EFI Boot Option Screen

Screen Field Descriptions:

1. Delete Boot Option

Option Values: <Available EFI Boot Options>

Help Text:

Select one to delete.

Comments: This will not allow a user to delete the EFI Shell.

[Back to \[Delete EFI Boot Option Screen\]](#) — [\[Boot Options Screen\]](#) — [\[Screen Map\]](#)

Boot Manager Screen (Tab)

The Boot Manager screen allows the user to view a list of devices available for booting, and to select a boot device for immediately booting the system. There is no predetermined order for listing bootable devices. They are simply listed in order of discovery.

Regardless of whether any other bootable devices are available, the “Internal EFI Shell” will always be available.

Note: This list is **not** in order according to the system Boot Option order. Reordering Boot Devices or even removing them from the Boot Order completely has no effect on the Boot Manager.

To access this screen from the *Main* screen or other top-level “Tab” screen, press the right or left arrow keys to traverse the tabs at the top of the Setup screen until the *Boot Manager* screen is selected.

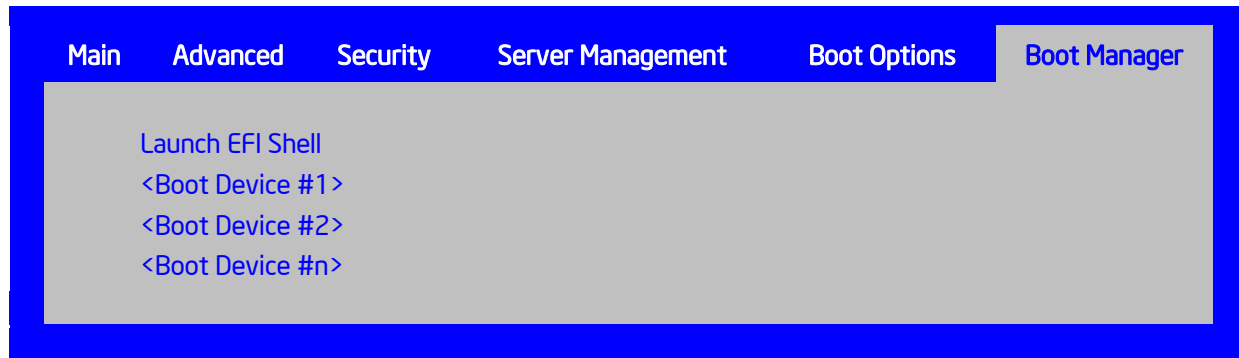


Figure 107. Boot Manager Screen

Screen Field Descriptions:

1. Launch EFI Shell

Option Values: <None>

Help Text:

Select this option to boot now.

Note: *This list is not the system boot option order. Use the Boot Options menu to view and configure the system boot option order.*

Comments: The EFI Shell will always be present in the list of bootable devices.

[Back to \[Boot Manager Screen\]](#) — [\[Screen Map\]](#)

2. <Boot Device #1>

3. <Boot Device #2>

4. <Boot Device #n>

Option Values: <None>

Help Text:

Select this option to boot now.

Note: *This list is not the system boot option order. Use the Boot Options menu to view and configure the system boot option order.*

Comments: These are names of bootable devices discovered in the system. The system user can choose any of them from which to initiate a one-time boot – that is, booting from any device in this list will not permanently affect the defined system Boot Order.

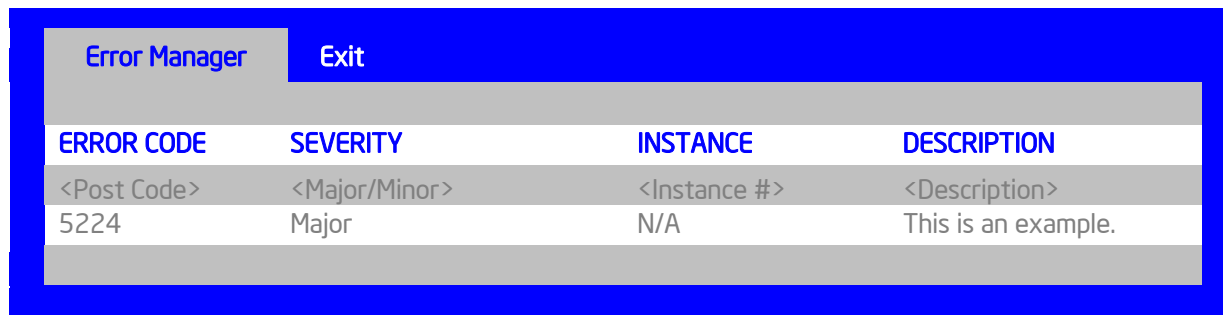
These bootable devices are not displayed in any specified order, particularly not in the system Boot Order established by the Boot Options screen. This is just a list of bootable devices in the order in which they were enumerated.

[Back to \[Boot Manager Screen\]](#) — [\[Screen Map\]](#)

Error Manager Screen (Tab)

The Error Manager screen displays any POST Error Codes encountered during BIOS POST, along with an explanation of the meaning of the Error Code in the form of a Help Text. This is an *Information Only* screen.

To access this screen from the *Main* screen or other top-level “Tab” screen, press the right or left arrow keys to traverse the tabs at the top of the Setup screen until the *Error Manager* screen is selected.



ERROR CODE	SEVERITY	INSTANCE	DESCRIPTION
<Post Code>	<Major/Minor>	<Instance #>	<Description>
5224	Major	N/A	This is an example.

Figure 108. Error Manager Screen

Screen Field Descriptions:

1. ERROR CODE

Option Values: <POST Error Code>

Help Text: <N/A>

Comments: This is a POST Error Code – a BIOS-originated error that occurred during POST initialization.

Back to [Error Manager Screen] — [Screen Map]

2. SEVERITY

Option Values: Minor
Major
Fatal

Help Text: <N/A>

Comments: Each POST Error Code has a Severity associated with it.

Back to [Error Manager Screen] — [Screen Map]

3. INSTANCE

Option Values: <Depends on error code>

Help Text: <N/A>

Comments: Where applicable, this field shows a value indicating which one of a group of components was responsible for generating the POST Error Code that is being reported.

Back to [Error Manager Screen] — [Screen Map]

4. DESCRIPTION

Option Values: <N/A>

Help Text: <Description of POST Error Code>

Comments: This is a description of the meaning of the POST Error Code that is being reported. This text actually appears in the screen space that is usually reserved for “Help” messages.

Back to [Error Manager Screen] — [Screen Map]

Save & Exit Screen (Tab)

The Save & Exit screen allows the user to choose whether to save or discard the configuration changes made on other Setup screens. It also allows the user to restore the BIOS settings to the factory defaults or to save or restore them to a set of user-defined default values. If Load Default Values is selected, the factory default settings (noted in bold in the Setup screen images) are applied. If Load User Default Values is selected, the system is restored to previously saved User Default Values.

To access this screen from the **Main** screen or other top-level “Tab” screen, press the right or left arrow keys to traverse the tabs at the top of the Setup screen until the **Exit** screen is selected.

Note: There is a Legal Disclaimer footnote at the bottom of the Save & Exit screen:

***Certain brands and names may be claimed as the property of others.**

This is reference to any instance in the Setup screens where names belonging to other companies may appear. For example “LSI*” appears in Setup in the context of Mass Storage RAID options.

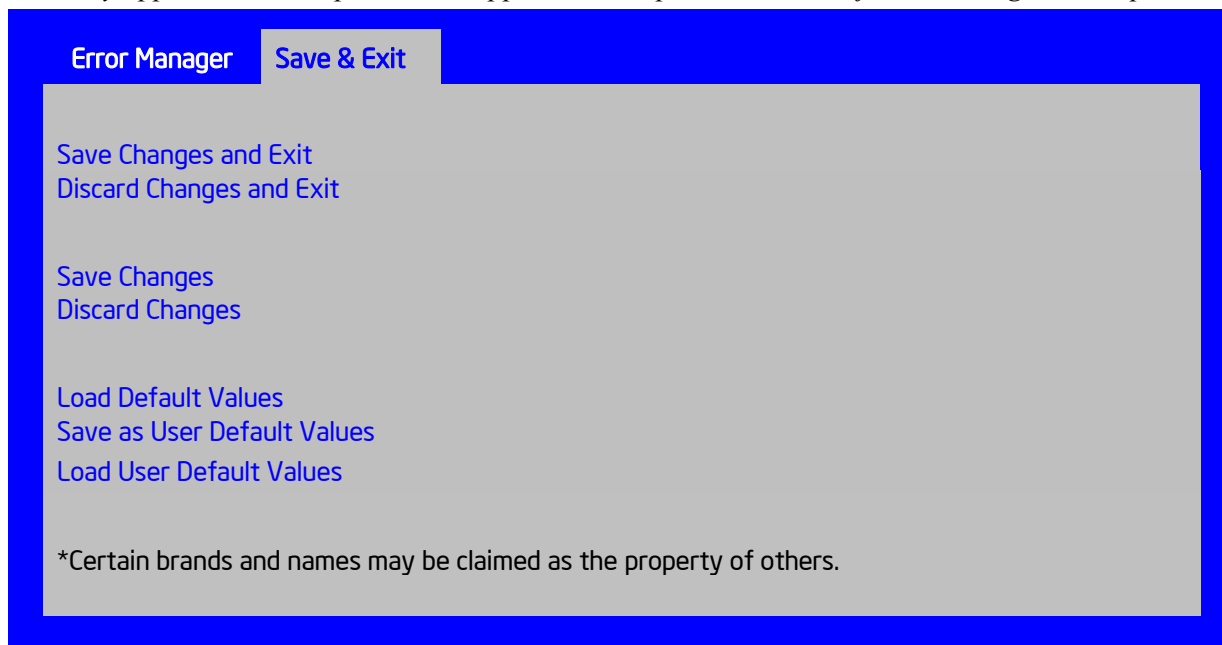


Figure 109. Save & Exit Screen

Screen Field Descriptions:

1. Save Changes and Exit

Option Values: <None>

Help Text:

Exit BIOS Setup Utility after saving changes. The system will reboot if required. The [F10] key can also be used.

Comments: *Selection only.* Select this line and press the <Enter> key to exit Setup with any changes in BIOS settings saved. If there have been no changes made in the settings, the BIOS will resume executing POST.

If changes have been made in BIOS settings, a confirmation pop-up will appear. If the “Save Changes & Exit” action is positively confirmed, any persistent changes will be applied and saved to the BIOS settings in NVRAM storage, then the system will reboot if necessary (which is normally the case). If the “Save Changes & Exit” action is not confirmed, BIOS will resume executing Setup.

The <F10> function key may also be used from anyplace in Setup to initiate a “Save Changes & Exit” action.

Back to [Save & Exit Screen] — [Screen Map]

2. Discard Changes and Exit

Option Values: <None>

Help Text:

Exit BIOS Setup Utility without saving changes. The [Esc] key can also be used.

Comments: *Selection only.* Select this line and press the <Enter> key to exit Setup without saving any changes in BIOS settings. If there have been no changes made in the settings, the BIOS will resume executing POST.

If changes have been made in BIOS settings, a confirmation pop-up will appear. If the “Discard Changes & Exit” action is positively confirmed, all pending changes will be discarded and BIOS will resume executing POST. If the “Discard Changes & Exit” action is not confirmed, BIOS will resume executing Setup without discarding any changes.

The <Esc> key may also be used in Setup to initiate a “Discard Changes & Exit” action.

Back to [Save & Exit Screen] — [Screen Map]

3. Save Changes

Option Values: <None>

Help Text:

Save Changes made so far to any of the setup options.

Comments: *Selection only.* Select this line and press the <Enter> key to save any pending changes in BIOS settings. If there have been no changes made in the settings,

Also, the user should be aware that most changes require a reboot to become active. If changes have been made and saved, without exiting Setup, the system should be rebooted later even if no additional changes are made.

Back to [Save & Exit Screen] — [Screen Map]

4. Discard Changes

Option Values: <None>

Help Text:

Discard Changes made so far to any of the setup options.

Comments: *Selection only.* Select this line and press the <Enter> key to discard any pending unsaved changes in BIOS settings. If there have been no changes made in the settings, the BIOS will resume executing POST.

If changes have been made in BIOS settings and not yet saved, a confirmation pop-up will appear. If the “Discard Changes” action is positively confirmed, all pending changes will be discarded and BIOS will resume executing POST. If the “Discard Changes” action is not confirmed, BIOS will resume executing Setup without discarding pending changes.

Back to [Save & Exit Screen] — [Screen Map]

5. Load Default Values

Option Values: <None>

Help Text:

Load Defaults Values for all the setup options.

Comments: *Selection only.* Select this line and press the <Enter> key to load default values for all BIOS settings. These are the initial factory settings (“failsafe” settings) for all BIOS parameters.

There will be a confirmation popup to verify that the user really meant to take this action.

After initializing all BIOS settings to default values, the BIOS will resume executing Setup, so the user may made additional changes in the BIOS settings if necessary (for example, Boot Order) before doing a “Save Changes and Exit” with a reboot to make the default settings take effect, including any changes made after loading the defaults.

The <F9> function key may also be used from anyplace in Setup to initiate a “Load Default Values” action.

Back to [Save & Exit Screen] — [Screen Map]

6. Save as User Default Values

Option Values: <None>

Help Text:

Save the changes made so far as User Default Values.

Comments: *Selection only.* Select this line and press the <Enter> key to save the current state of the settings for all BIOS parameters as a customized set of “User Default Values”.

These are a user-determined set of BIOS default settings that can be used as an alternative instead of the initial factory settings (“failsafe” settings) for all BIOS parameters.

By changing the BIOS settings to values that the user prefers to have for defaults, and then using this operation to save them as “User Default Values”, that version of BIOS settings can be restored at any time by using the following “Load User Default Values” operation.

There will be a confirmation popup to verify that the user really intended to take this action.

Loading the “factory default” values with F9 or the “Load Default Values” – or by any other means – does not affect the User Default Values. They remain set to whatever values they were saved as.

Back to [Save & Exit Screen] — [Screen Map]

7. Load User Default Values

Option Values: <None>

Help Text:

Load the User Default Values to all the setup options.

Comments: *Selection only.* Select this line and press the <Enter> key to load User Default Values for all BIOS settings. These are user-customized BIOS default settings for all BIOS parameters, previously established by doing a “Save User Defaults” action (see above).

There will be a confirmation popup to verify that the user really intended to take this action.

Back to [Save & Exit Screen] — [Screen Map]

Appendix A: Technical Reference

365-W Fixed Power Supply Input/Output Voltages

365-W Fixed Power Supply AC Input Voltage

Table 7. AC Input Voltage Range

Parameter	Min	Rated	Vmax	Start up vac	Power off vac
Voltage (110)	90 Vrms	100-127 Vrms	140 Vrms	85VAC +/- 4VAC	70VAC +/- 5VAC
Voltage (220)	180 Vrms	200-240 Vrms	264 Vrms		
Frequency	47 Hz	50/60	63 Hz		

Notes:

1. Maximum input current at low input voltage range shall be measured at 90VAC, at maximum load.
2. Maximum input current at high input voltage range shall be measured at 180VAC, at maximum load.
3. This requirement is not to be used for determining agency input current markings.

365-W Fixed Power Supply DC Output Voltage

Table 8. Over Voltage Protection Limits

Parameter	Min.	Max.	Peak	Unit
5V	0.3	10.0		A
12V1	0.7	16.0	18.0	A
12V2	1.5	16.0	18.0	A
3.3V	0.5	18.0		A
- 12V	0.0	0.5		A
5Vstby	0.0	2.5	3.0	A

Notes:

1. Maximum combined power for all output shall not exceed 365W.
2. Peak combined power for all outputs shall not exceed 385W.
3. Maximum combined power of 12V1 and 12V2 shall not exceed 318W.
4. Maximum combined power on 3.3V and 5V shall not exceed 80W.
5. Peak power and current loading shall be supported for a minimum of 12 seconds.

460-W Redundant Power Supply Input/Output Voltages

460-W Redundant Power Supply AC Input Voltage

Table 9. AC Input Voltage Range

Parameter	MIN	Rated	V _{MAX}	Startup VAC	Power Off VAC
Voltage (110)	90 V _{rms}	100-127 V _{rms}	140 V _{rms}	85VAC +/- 4VAC	74VAC +/- 5VAC
Voltage (220)	180 V _{rms}	200-240 V _{rms}	264 V _{rms}		
Frequency	47 Hz	50/60	63 Hz		

Notes:

1. Maximum input current at low input voltage range shall be measured at 90VAC, at maximum load.
2. Maximum input current at high input voltage range shall be measured at 180VAC, at maximum load.
3. This requirement is not to be used for determining agency input current markings.

460-W Redundant Power Supply DC Output Voltage

Table 10. Over Voltage Protection Limits

Output Voltage	MIN (V)	MAX (V)
+12V	13.3	14.5
+12VSB	13.3	14.5

System Environmental Specifications

The following table defines the system level operating and non-operating environmental limits.

Table 11. System Environmental Limits Summary

Parameter	Limits
Operating Temperature	+10°C to +35°C with the maximum rate of change not to exceed 10°C per hour
Non-Operating Temperature	-40°C to +70°C
Non-Operating Humidity	90%, non-condensing at 35°C
Acoustic noise	Sound power: 7.0 BA in an idle state at typical office ambient temperature. (23 +/- 2 degrees C)
Shock, operating	Half sine, <u>2g</u> peak, 11 milliseconds
Shock, unpackaged	Trapezoidal, <u>25g</u> , velocity change 136 inches/second (≥40 lbs to < 80 lbs)
Shock, packaged	Non-palletized free fall in height 24 inches (40 lbs to < 80 lbs)
Vibration, unpackaged	5 Hz to 500 Hz, 2.20 g RMS random
ESD	+/-15 KV except I/O port +/- 8 KV per <i>Intel® Environmental Test Specification</i>

Parameter	Limits
System Cooling Requirement in BTU/Hr	460 Watt Max – 1570 BTU/hour

 **DISCLAIMER NOTE**

Intel ensures the unpackaged server board and system meet the shock requirement mentioned above through its own chassis development and system configuration. It is the responsibility of the system integrator to determine the proper shock level of the board and system if the system integrator chooses different system configuration or different chassis. Intel Corporation cannot be held responsible, if components fail or the server board does not operate correctly when used outside any of its published operating or non-operating limits.

Appendix B: Regulatory and Compliance Information

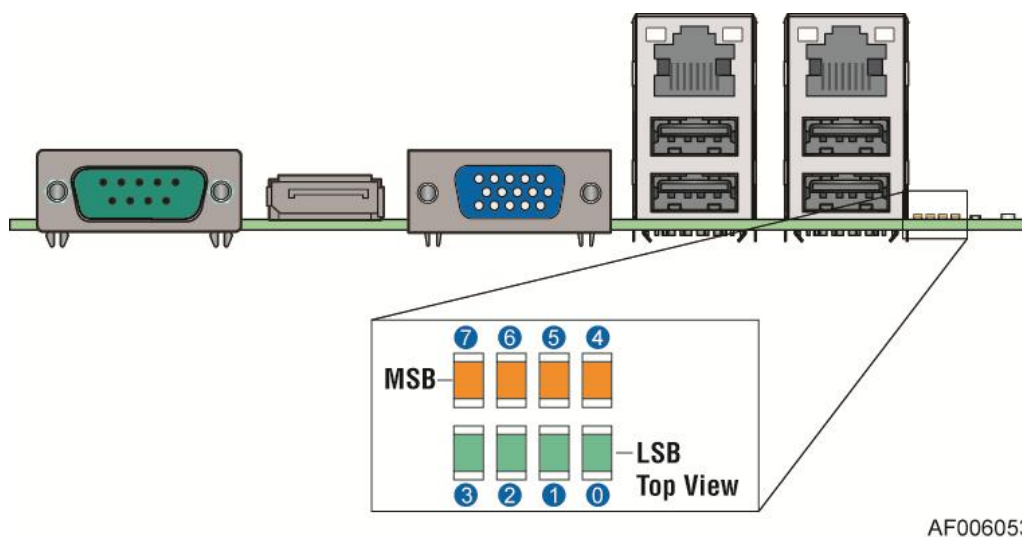
Please refer to the *Intel® Server Products Regulatory and Safety* document for the product regulatory compliance reference. The document can be downloaded from http://www.intel.com/p/en_US/support/server/.

Appendix C: LED Decoder

During the system boot process, the BIOS executes a number of platform configuration processes, each of which is assigned a specific hex POST code number. As each configuration routine is started, the BIOS displays the POST code to the POST Code Diagnostic LEDs on the back edge of the server board. To assist in troubleshooting a system hang during the POST process, the Diagnostic LEDs can be used to identify the last POST process that was executed.

Each POST code is represented by a sequence of eight amber diagnostic LEDs. The POST codes are divided into two nibbles, an upper nibble and a lower nibble. The upper nibble bits are represented by diagnostic LEDs #4, #5, #6, and #7. The lower nibble bits are represented by diagnostics LEDs #0, #1, #2, and #3. If the bit is set in the upper and lower nibbles, then the corresponding LED is lit. If the bit is clear, then the corresponding LED is off.

The diagnostic LED #7 is labeled as “MSB”, and the diagnostic LED #0 is labeled as “LSB”.



AF006053

Figure 110. Diagnostic LED Placement Diagram

The LEDs are decoded as follows:

Table 12. POST Progress Code LED Example

LEDs	Upper Nibble AMBER LEDs				Lower Nibble GREEN LEDs			
	MSB	7	6	5	4	3	2	LSB
	LED #7	LED #6	LED #5	LED #4	LED #3	LED #2	LED #1	LED #0
	8h	4h	2h	1h	8h	4h	2h	1h
Status	ON	OFF	ON	OFF	ON	ON	OFF	OFF
Decode Result	1	0	1	0	1	1	0	0
	Ah				Ch			

The following table provides a list of all POST progress codes:

Table 13. POST Progress Code Decoder

Checkpoint	Diagnostic LED Decoder								Description
	1 = LED On, 0 = LED Off								
	Upper Nibble				Lower Nibble				
	MSB							LSB	
	8h	4h	2h	1h	8h	4h	2h	1h	
LED #	#7	#6	#5	#4	#3	#2	#1	#0	
SEC Phase									
01h	0	0	0	0	0	0	0	1	First POST code after CPU reset
02h	0	0	0	0	0	0	1	0	Microcode load begin
03h	0	0	0	0	0	0	1	1	CRAM initialization begin
04h	0	0	0	0	0	1	0	0	Pei Cache When Disabled
05h	0	0	0	0	0	1	0	1	SEC Core At Power On Begin.
06h	0	0	0	0	0	1	1	0	Early CPU initialization during Sec Phase.
07h	0	0	0	0	0	1	1	1	Early SB initialization during Sec Phase.
08h	0	0	0	0	1	0	0	0	Early NB initialization during Sec Phase.
09h	0	0	0	0	1	0	0	1	End Of Sec Phase.
0Eh	0	0	0	0	1	1	1	0	Microcode Not Found.
0Fh	0	0	0	0	1	1	1	1	Microcode Not Loaded.
PEI Phase									
10h	0	0	0	1	0	0	0	0	PEI Core
11h	0	0	0	1	0	0	0	1	CPU PEIM
15h	0	0	0	1	0	1	0	1	NB PEIM
19h	0	0	0	1	1	0	0	1	SB PEIM
MRC Process Codes – MRC Progress Code Sequence is executed									
PEI Phase continued...									
31h	0	0	1	1	0	0	0	1	Memory Installed
32h	0	0	1	1	0	0	1	0	CPU PEIM (CPU Init)
33h	0	0	1	1	0	0	1	1	CPU PEIM (Cache Init)
34h	0	0	1	1	0	1	0	0	CPU PEIM (BSP Select)
35h	0	0	1	1	0	1	0	1	CPU PEIM (AP Init)
36h	0	0	1	1	0	1	1	0	CPU PEIM (CPU SMM Init)
4Fh	0	1	0	0	1	1	1	1	Dxe IPL started
DXE Phase									
60h	0	1	1	0	0	0	0	0	DXE Core started

Checkpoint	Diagnostic LED Decoder								Description
	1 = LED On, 0 = LED Off								
	Upper Nibble				Lower Nibble				
	MSB							LSB	
	8h	4h	2h	1h	8h	4h	2h	1h	
LED #	#7	#6	#5	#4	#3	#2	#1	#0	
61h	0	1	1	0	0	0	0	1	DXE NVRAM Init
62h	0	1	1	0	0	0	1	0	SB RUN Init
63h	0	1	1	0	0	0	1	1	Dxe CPU Init
68h	0	1	1	0	1	0	0	0	DXE PCI Host Bridge Init
69h	0	1	1	0	1	0	0	1	DXE NB Init
6Ah	0	1	1	0	1	0	1	0	DXE NB SMM Init
70h	0	1	1	1	0	0	0	0	DXE SB Init
71h	0	1	1	1	0	0	0	1	DXE SB SMM Init
72h	0	1	1	1	0	0	1	0	DXE SB devices Init
78h	0	1	1	1	1	0	0	0	DXE ACPI Init
79h	0	1	1	1	1	0	0	1	DXE CSM Init
90h	1	0	0	1	0	0	0	0	DXE BDS Started
91h	1	0	0	1	0	0	0	1	DXE BDS connect drivers
92h	1	0	0	1	0	0	1	0	DXE PCI Bus begin
93h	1	0	0	1	0	0	1	1	DXE PCI Bus HPC Init
94h	1	0	0	1	0	1	0	0	DXE PCI Bus enumeration
95h	1	0	0	1	0	1	0	1	DXE PCI Bus resource requested
96h	1	0	0	1	0	1	1	0	DXE PCI Bus assign resource
97h	1	0	0	1	0	1	1	1	DXE CON_OUT connect
98h	1	0	0	1	1	0	0	0	DXE CON_IN connect
99h	1	0	0	1	1	0	0	1	DXE SIO Init
9Ah	1	0	0	1	1	0	1	0	DXE USB start
9Bh	1	0	0	1	1	0	1	1	DXE USB reset
9Ch	1	0	0	1	1	1	0	0	DXE USB detect
9Dh	1	0	0	1	1	1	0	1	DXE USB enable
A1h	1	0	1	0	0	0	0	1	DXE IDE begin
A2h	1	0	1	0	0	0	1	0	DXE IDE reset
A3h	1	0	1	0	0	0	1	1	DXE IDE detect
A4h	1	0	1	0	0	1	0	0	DXE IDE enable
A5h	1	0	1	0	0	1	0	1	DXE SCSI begin
A6h	1	0	1	0	0	1	1	0	DXE SCSI reset

Appendix C: LED Decoder

Checkpoint	Diagnostic LED Decoder								Description
	1 = LED On, 0 = LED Off								
	Upper Nibble				Lower Nibble				
	MSB							LSB	
	8h	4h	2h	1h	8h	4h	2h	1h	
LED #	#7	#6	#5	#4	#3	#2	#1	#0	
A7h	1	0	1	0	0	1	1	1	DXE SCSI detect
A8h	1	0	1	0	1	0	0	0	DXE SCSI enable
A9h	1	0	1	0	1	0	0	1	DXE verifying SETUP password
ABh	1	0	1	0	1	0	1	1	DXE SETUP start
ACH	1	0	1	0	1	1	0	0	DXE SETUP input wait
ADh	1	0	1	0	1	1	0	1	DXE Ready to Boot
Aeh	1	0	1	0	1	1	1	0	DXE Legacy Boot
Afh	1	0	1	0	1	1	1	1	DXE Exit Boot Services
B0h	1	0	1	1	0	0	0	0	RT Set Virtual Address Map Begin
B1h	1	0	1	1	0	0	0	1	RT Set Virtual Address Map End
B2h	1	0	1	1	0	0	1	0	DXE Legacy Option ROM init
B3h	1	0	1	1	0	0	1	1	DXE Reset system
B4h	1	0	1	1	0	1	0	0	DXE USB Hot plug
B5h	1	0	1	1	0	1	0	1	DXE PCI BUS Hot plug
B6h	1	0	1	1	0	1	1	0	DXE NVRAM cleanup
B7h	1	0	1	1	0	1	1	1	DXE Configuration Reset
00h	0	0	0	0	0	0	0	0	INT19
S3 Resume									
E0h	1	1	0	1	0	0	0	0	S3 Resume PEIM (S3 started)
E1h	1	1	0	1	0	0	0	1	S3 Resume PEIM (S3 boot script)
E2h	1	1	0	1	0	0	1	0	S3 Resume PEIM (S3 Video Repost)
E3h	1	1	0	1	0	0	1	1	S3 Resume PEIM (S3 OS wake)
BIOS Recovery									
F0h	1	1	1	1	0	0	0	0	PEIM which detected forced Recovery condition
F1h	1	1	1	1	0	0	0	1	PEIM which detected User Recovery condition
F2h	1	1	1	1	0	0	1	0	Recovery PEIM (Recovery started)
F3h	1	1	1	1	0	0	1	1	Recovery PEIM (Capsule found)
F4h	1	1	1	1	0	1	0	0	Recovery PEIM (Capsule loaded)

Appendix D: Getting Help

If you encounter an issue with your server system, follow these steps to obtain support:

1. Visit the following Intel support web page: http://www.intel.com/p/en_US/support/server/.

This web page provides 24x7 support when you need it to get the latest and most complete technical support information on all Intel® Enterprise Server and Storage Platforms. Information available at the support site includes:

- Latest BIOS, firmware, drivers and utilities.
 - Product documentation, installation and quick start guides.
 - Full product specifications, technical advisories and errata.
 - Compatibility documentation for memory, hardware add-in cards, chassis support matrix and operating systems.
 - Server and chassis accessory parts list for ordering upgrades or spare parts
 - A searchable knowledgebase to search for product information throughout the support site.
2. If you are still unable to obtain a solution to your issue, send an email to Intel's technical support center using the online form available at <http://www.intel.com/support/feedback.htm?group=server>.
 3. Lastly, you can contact an Intel support representative using one of the support phone numbers available at <http://www.intel.com/support/feedback.htm?group=server> (charges may apply). Intel customer support suggests filling out the issue report form available in Appendix E: Intel® Server Issue Report Form.

Intel also offers Channel Program members around-the-clock 24x7 technical phone support on Intel server boards, server chassis, server RAID controller cards, and Intel® Server Management at <http://www.intel.com/reseller/>.

NOTE

You will need to log in to the Reseller site to obtain the 24x7 number.

Warranty Information

To obtain warranty information, visit the following Intel web site:
http://www.intel.com/p/en_US/support/warranty.

Appendix E: Intel® Server Issue Report Form

Issue Report Form (Rev 3.6)

 **NOTE**

Filling out this form completely is required for any escalation.

Customer Contact Information:

Customer Support Case#:

Intel® Server Board or System:

(Example: S1200V3RP, P4000RP)

Server Chassis:

(Example, P4000S. If third-party chassis used, indicate make and model.)

Base Board Information: (Some information maybe found by accessing BIOS and going through the Server Management menu > System Information)

Baseboard PBA/TA/AA # (Example: 123456-789):

- can be found on the white sticker label on the baseboard.

System BIOS Version:

Intel® Remote Management Module Firmware Version (if applicable):

BMC Version:

FRU/SDR Version:

HSC Version:

Has the latest BIOS been tried? (Yes/No):

Has the latest BMC/mBMC been tried? (Yes/No):

Has the latest IMM BMC been tried? (Yes/No):

Has the latest RMM Firmware been tried? (Yes/No):

Has the latest FRU/SDR been tried? (Yes/No):

Has the latest HSC been tried? (Yes/No):

Processor information:

	Type	Speed	sSpec	Thermal Solution
Processor 1				
Processor 2				

Thermal solution (Heat sink) examples:

(1U, Passive w/air ducting, and so on)

Memory:

Manufacturer	Part Number	DRAM Part Number	On Intel tested list?

Add-in adapters (Example: NICs, Management Adapters, Serial Expansion Cards, PCI-Express* Adapters, RAID Controllers, SCSI Controllers, and so on):

Type	Slot	Manufacturer	Model	Firmware

Other third party hardware (Example: KVM, Chassis, and so on):

Description/Use	Manufacturer	Model	Firmware

Storage Devices (Example: SCSI, SATA, SAS, USB, Tape, and so on):

Manufacturer	Model	Type	Size	Firmware	In Hot Swap Bay?

Operating System Information (Example: RedHat* Enterprise Linux, Microsoft Windows Server 2003*, Service pack 1, OEM CD):

Manufacturer:

Version:

Language version (English, Arabic, and Chinese (Simplified)):

Service Pack Level or Kernel Revision:

Distribution (OEM/Retail):

Intel® RAID Controller: (Example SRCU42E)

RAID controller part number (PBA number):

RAID controller firmware version:

Has the latest RAID firmware been tried? (Yes/No):

RAID driver version:

Has the latest RAID driver been tried? (Yes/No):

RAID volumes configuration (disks & RAID level):

RAID volume use (Boot device/Data Volume):

Is BBU (Battery Backup Unit) installed? (Yes/No):

BBU part number:

Detailed description of issue:

Troubleshooting tried:

Steps to replicate the issue:

Appendix E: Intel® Server Issue Report Form

Issue impact statements:

Do you have any potential Intel® system, or component purchases that this issue is holding up? If yes, please provide a brief description below.

Do you have systems already purchased that are not being delivered to your customers because of this issue? If yes, please provide a brief description below.

Have you returned systems or components to your place of purchase because of this issue? If yes, please provide a brief description below.

*All other brands and names are property of their respective owners.