

# Precision Tower 3630

## Cable Cover Installation Guide



## Notes, cautions, and warnings

 | **NOTE:** A NOTE indicates important information that helps you make better use of your product.

 | **CAUTION:** A CAUTION indicates either potential damage to hardware or loss of data and tells you how to avoid the problem.

 | **WARNING:** A WARNING indicates a potential for property damage, personal injury, or death.

© 2018 Dell Inc. or its subsidiaries. All rights reserved. Dell, EMC, and other trademarks are trademarks of Dell Inc. or its subsidiaries. Other trademarks may be trademarks of their respective owners.

# Contents

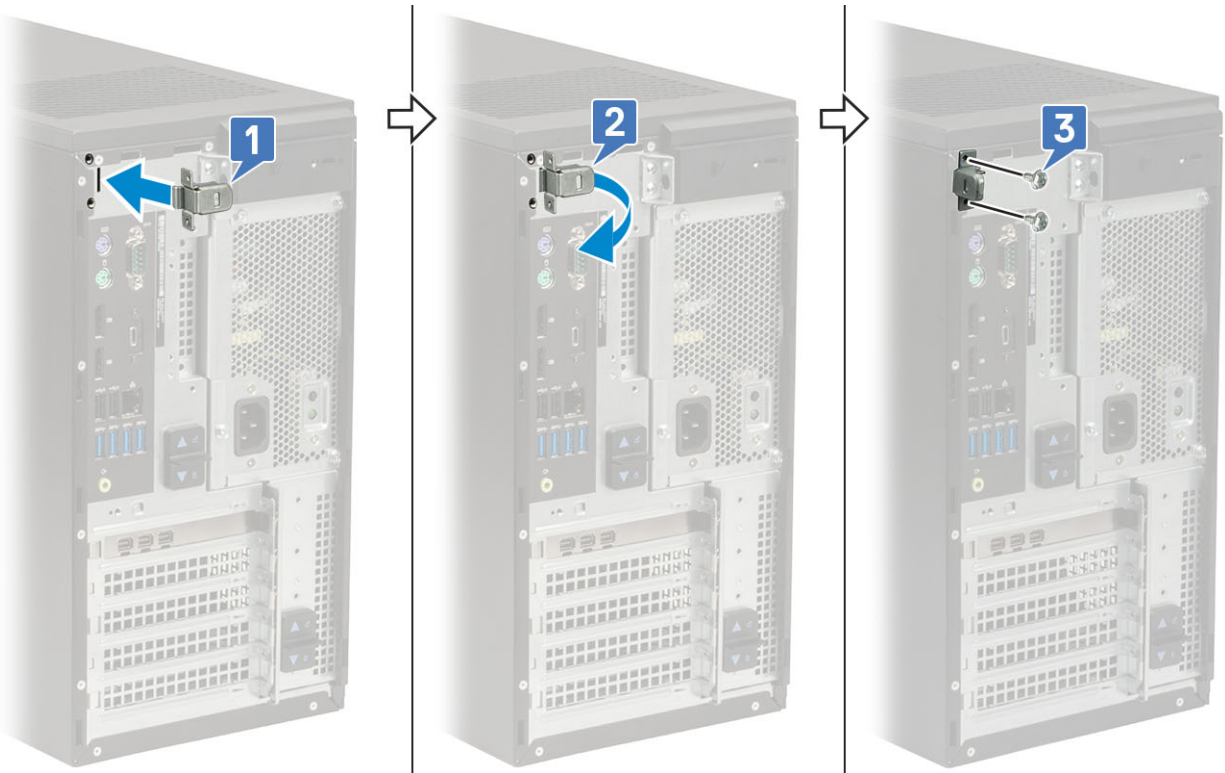
<b>1 Cable cover for Precision Tower 3630.....</b>	<b>4</b>
<b>2 Getting help.....</b>	<b>10</b>
Contacting Dell.....	10

# Cable cover for Precision Tower 3630

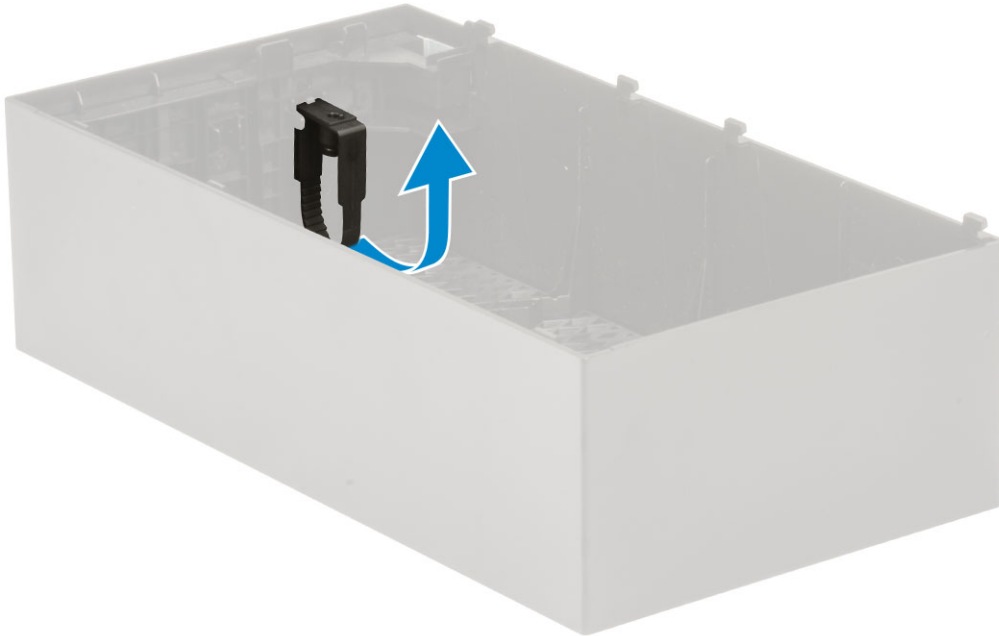
The cable cover for Precision Tower 3630 helps protect ports and cables connected to the system. Follow these steps to install the cable cover on the system chassis.

**NOTE:** Images shown below are for representation only and may vary depending on the system's configuration.

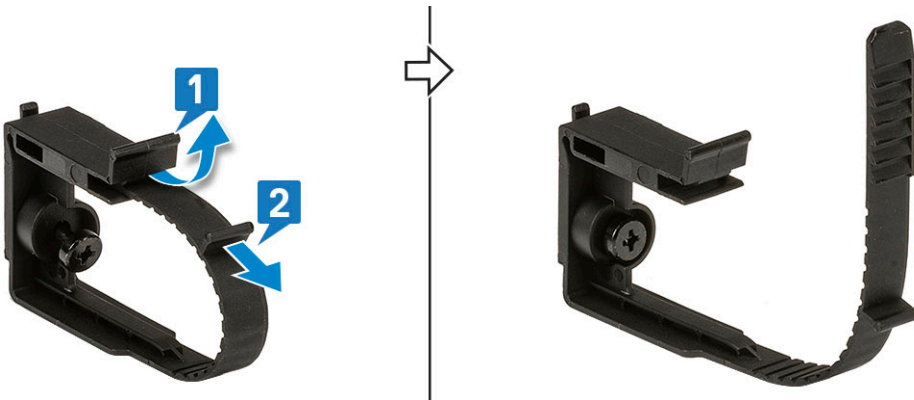
- 1 Insert the tab on the security-lock metal bracket into the slot on the rear side of the system [1] and rotate to align the holes on the metal bracket with screw holders on the chassis [2]
- 2 Fasten the two #6-32x1/4" screws to secure the security metal bracket to the chassis [3].



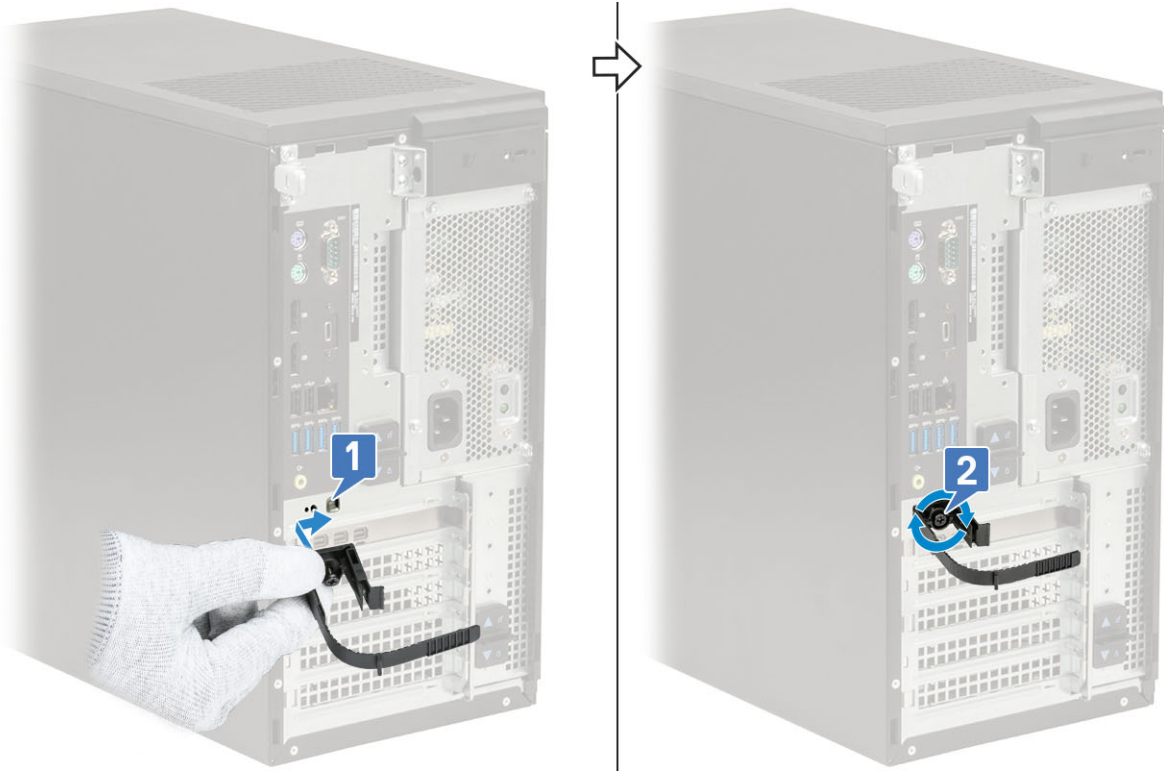
- 3 Pull the cable release latch and lift the latch away from the cable cover.



- 4 Lift the tab [1] to release and pull the cable tie from the slot on the cable release latch [2].

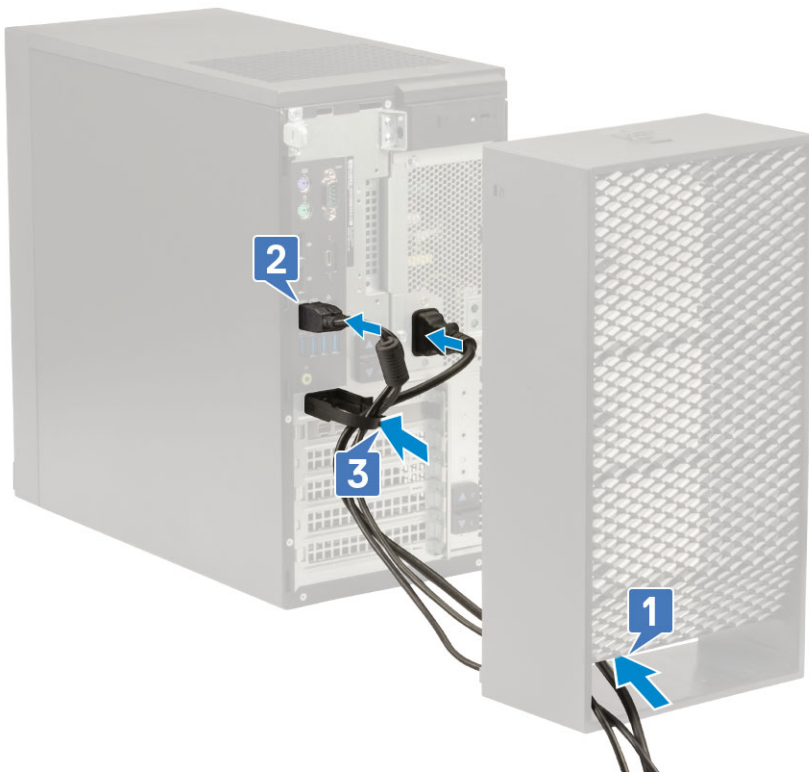


- 5 Align the cable release latch on the system chassis slot [1]. Tighten the screw to secure the cable release latch to the system chassis [2].

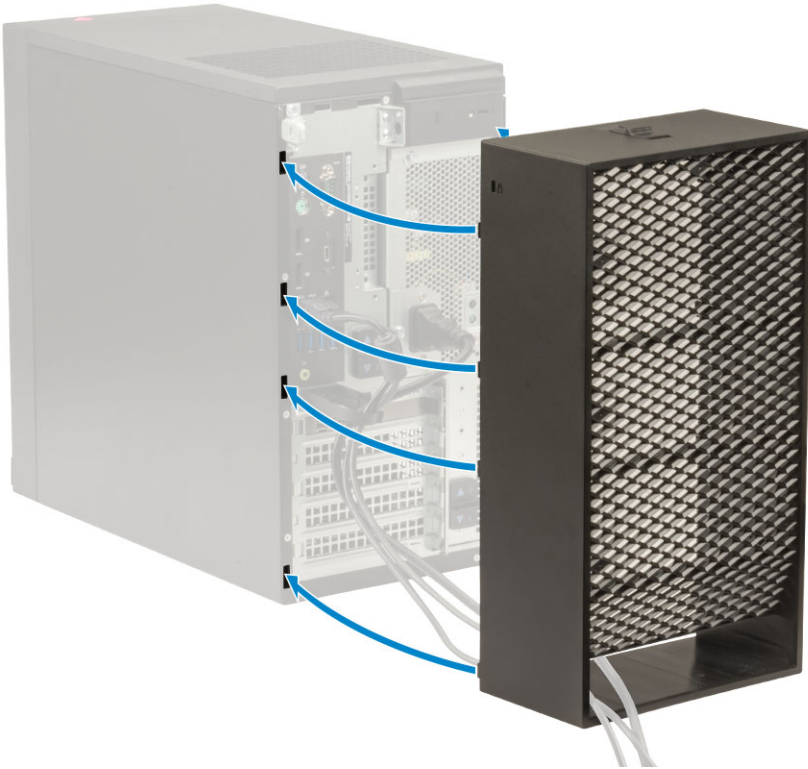


6 Route the cables through the slot of the cable cover [1], and connect them to their respective ports on the system [2]. Secure the cable with the cable tie and lock the tab in place [3].

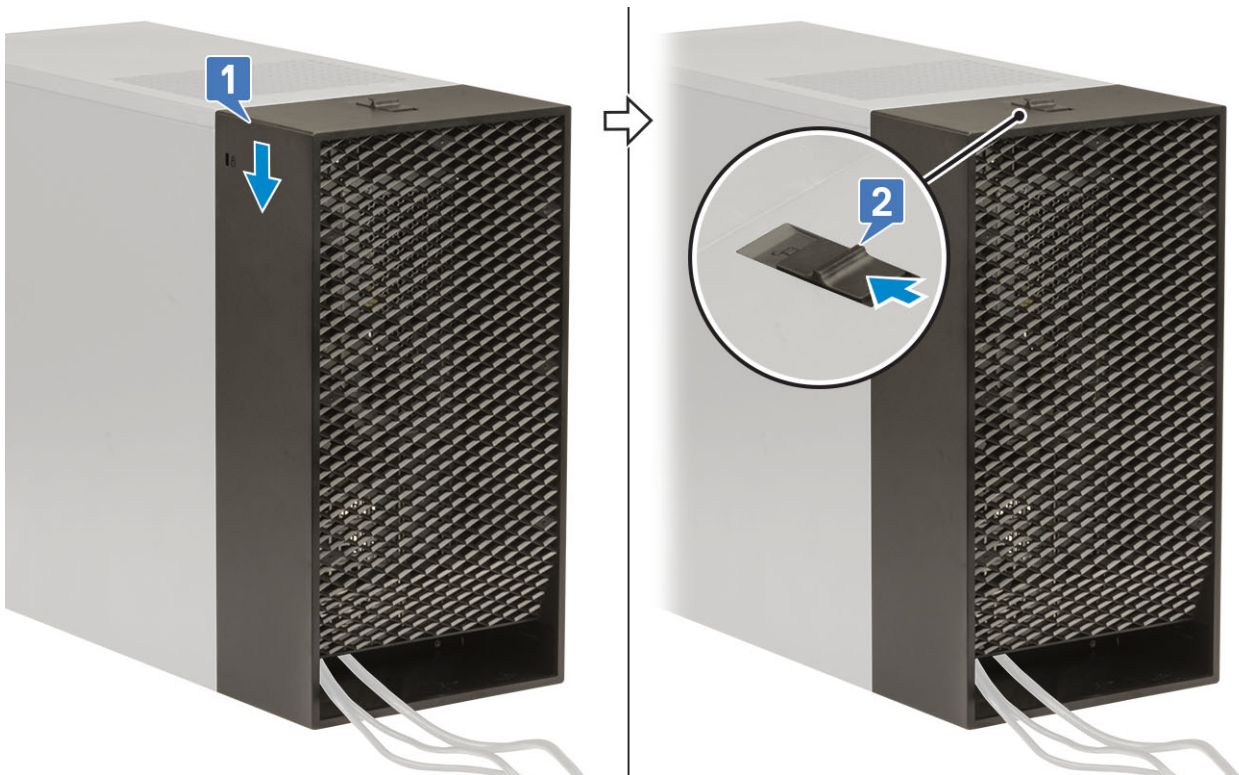
**⚠ CAUTION:** Take care not to break or bend the delicate plastic hooks.



7 Align the plastic hooks of the cable cover to the slots on the system .

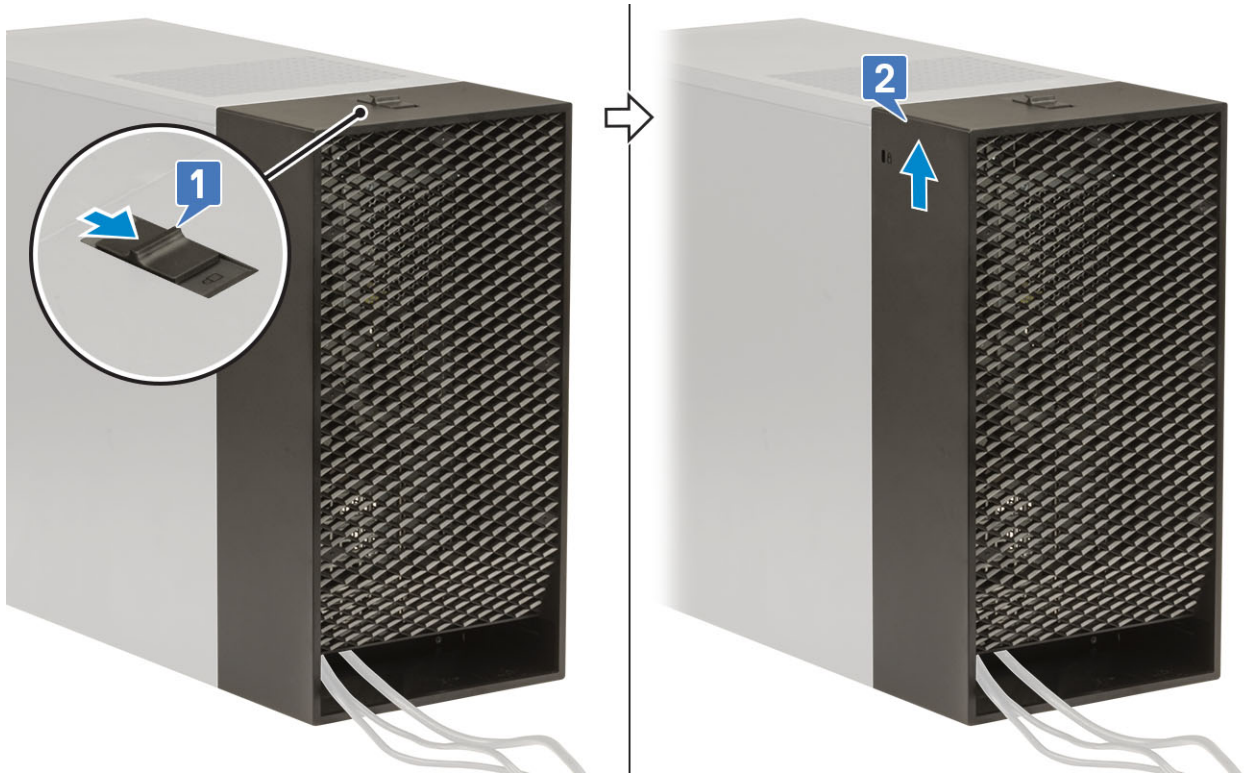


- 8 Gently press down on the cable cover until it clicks into place [1]. Slide the latch towards the chassis [2] to lock the cable cover in place.

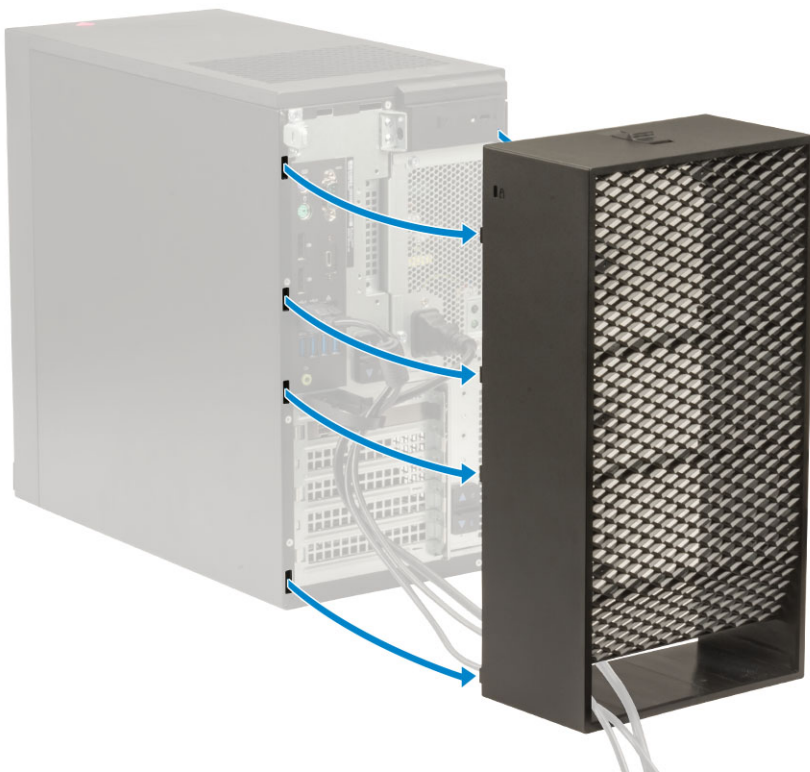


**NOTE:** For added security, use the Padlock ring to secure the system.

- 9 To remove the cable cover:
- Slide the latch away from the chassis to unlock the cable cover [1].
  - Lift the cable cover away from the system chassis [2].

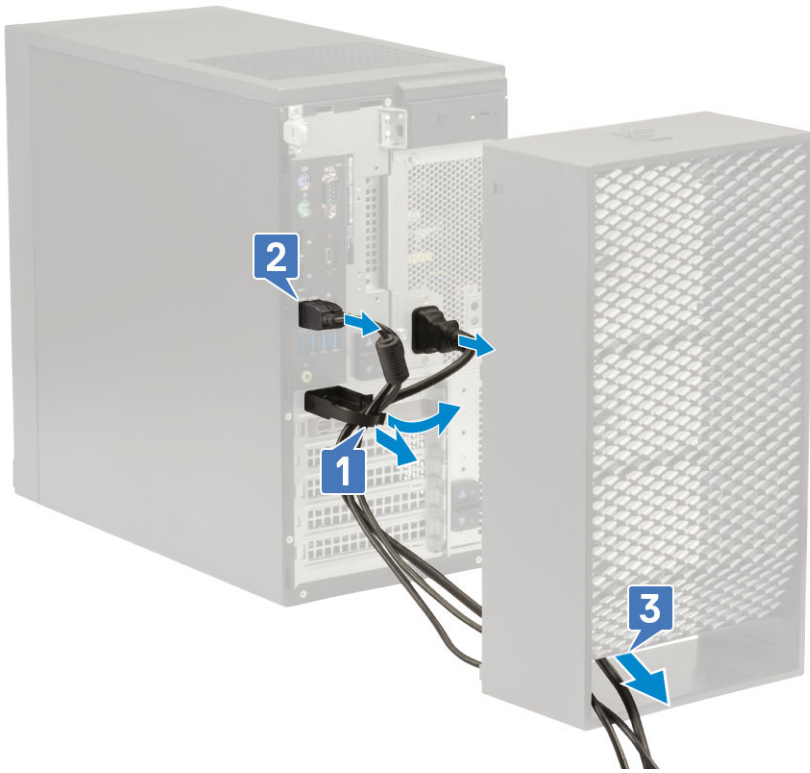


10 Pull the cable cover to release it from the chassis.



11 Open the tab and unrout the cables from cable tie [1], disconnect the cables from the ports on the system [2]. Remove the cables from the slot of the cable cover [3].





## Getting help

### Contacting Dell

**NOTE:** If you do not have an active Internet connection, you can find contact information on your purchase invoice, packing slip, bill, or Dell product catalog.

Dell provides several online and telephone-based support and service options. Availability varies by country and product, and some services may not be available in your area. To contact Dell for sales, technical support, or customer service issues:

- 1 Go to **Dell.com/support**.
- 2 Select your support category.
- 3 Verify your country or region in the **Choose a Country/Region** drop-down list at the bottom of the page.
- 4 Select the appropriate service or support link based on your need.