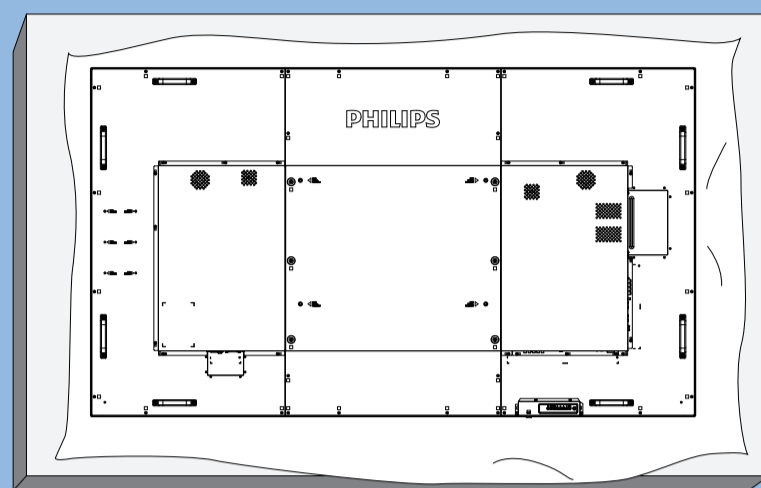


* Differences according to regions.

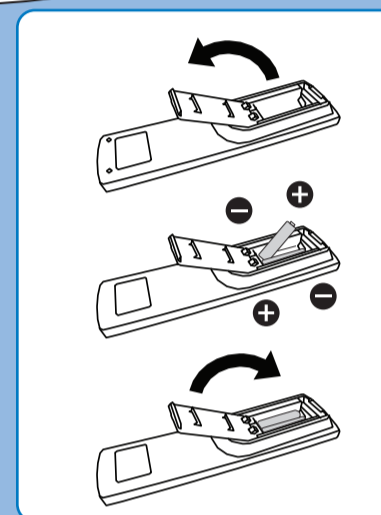
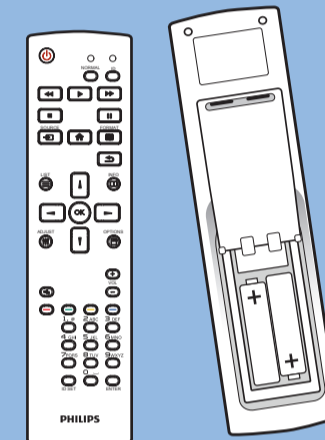
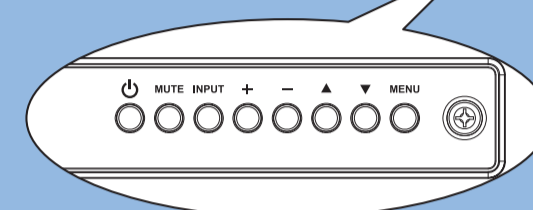
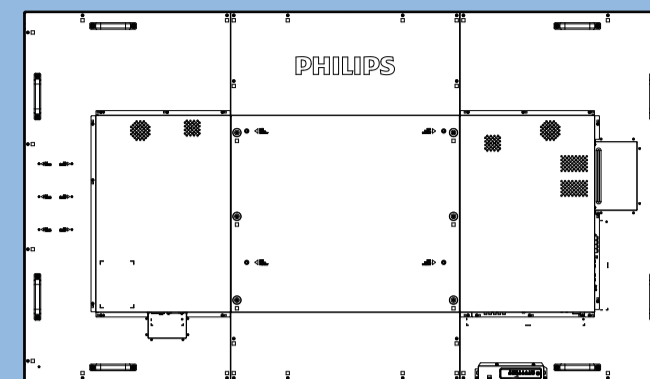
Display design and accessories may differ from those illustrated above.



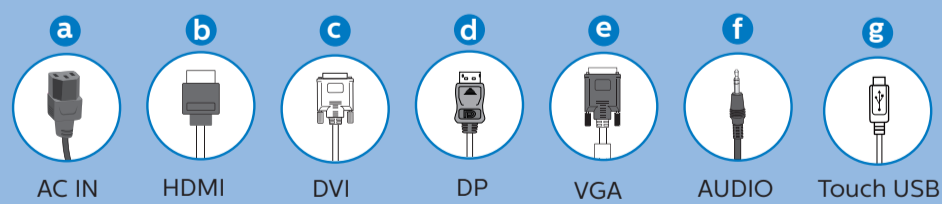
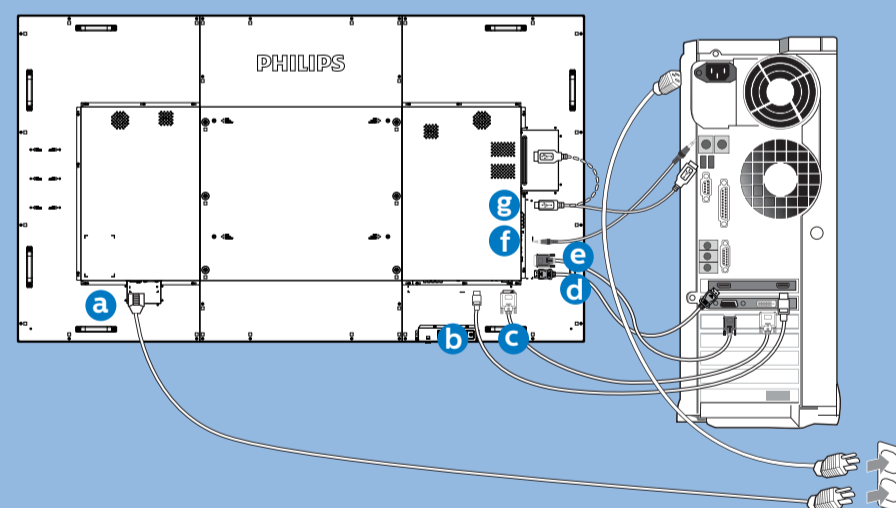
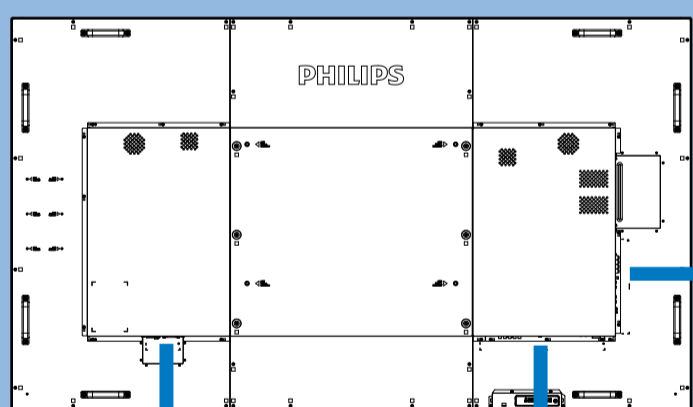
1



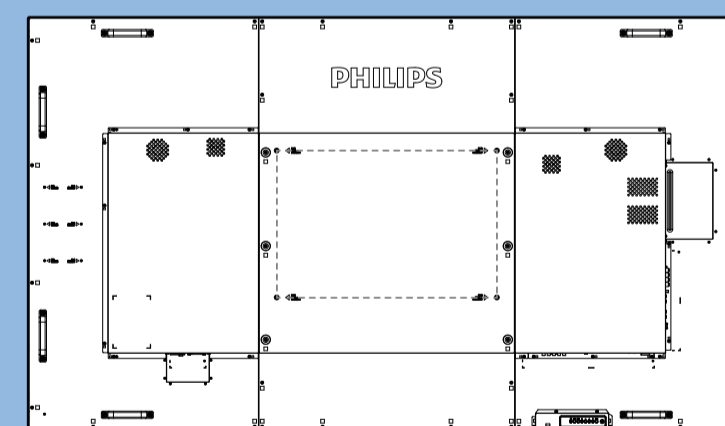
2



3

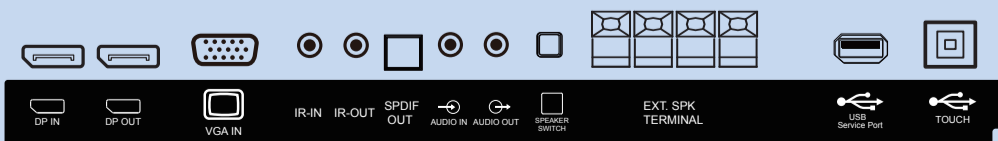
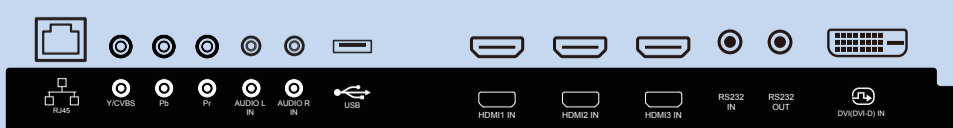


4

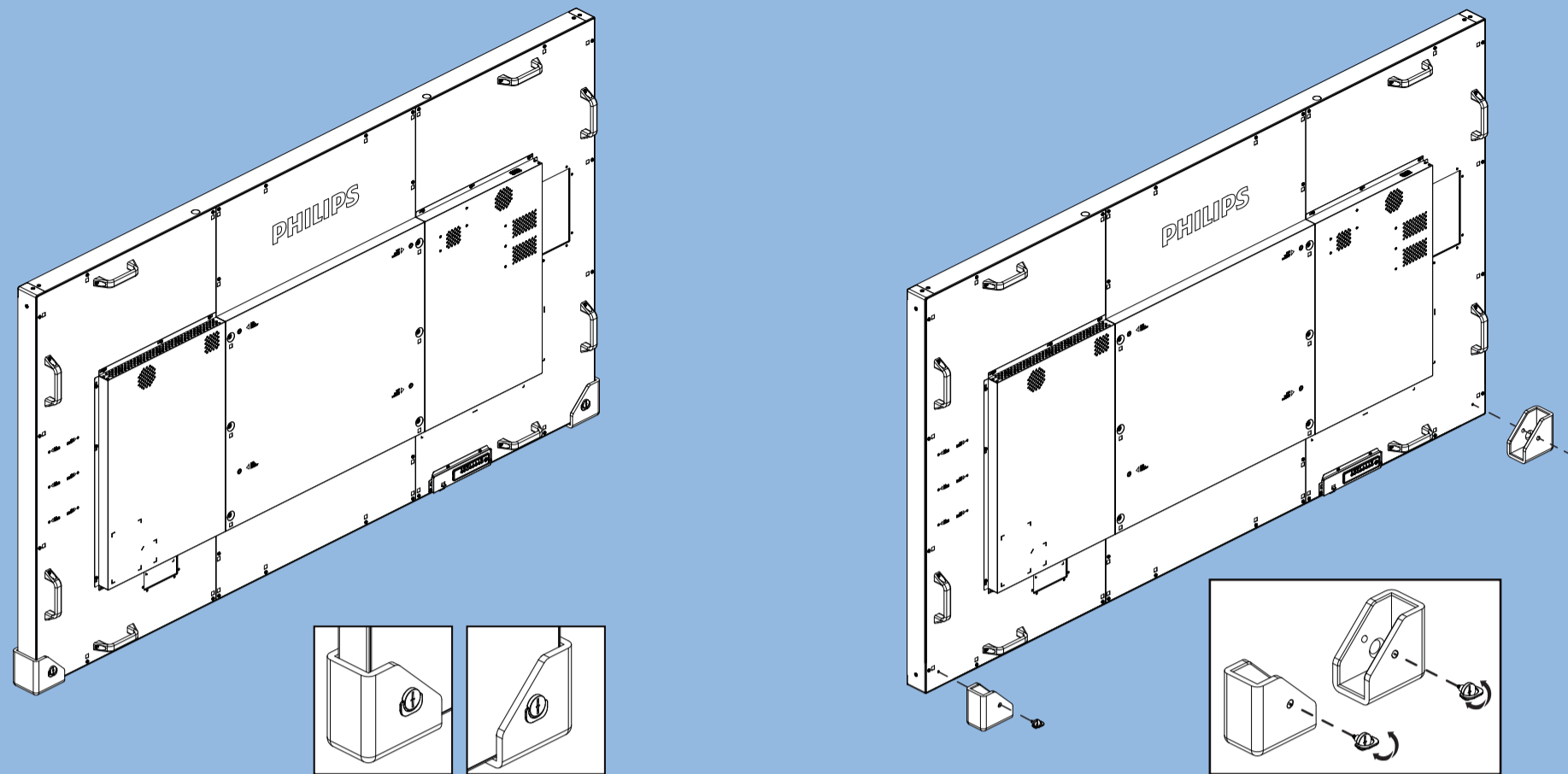


M8 * (15+X) mm
(X=Thickness of Wall mount BKT)

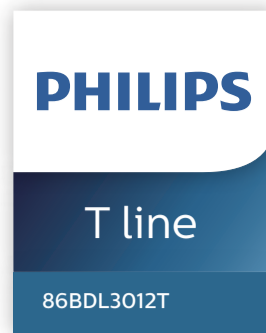
86BDL3012T: 600mmx400mm



5



- Please always let the rubber corners on the display unless the display is on the wall.
- Please keep the rubber corners and the thumb screws properly and use them to protect the display when the display is not on the wall.



Quick Start



Please check out the website below for more product information.
www.philips.com/signagesolutions-support



Envision Peripherals Inc.
47490 Seabridge Drive
Fremont, CA 94538
Tel. 510-770-9988

© 2018 Koninklijke Philips N.V. All rights reserved.
Philips and the Philips Shield Emblem are registered trademarks of Koninklijke Philips N.V. and are used under license from Koninklijke Philips N.V.

Specifications are subject to change without notice.

Version: V1.00 2018-12-12

