



OWNER'S MANUAL

# LG Digital Signage (MONITOR SIGNAGE)

Please read this manual carefully before operating the your set and retain it for future reference.

42SH7DB

49SH7DB

55SH7DB

# TABLE OF CONTENTS

## **3 SAFETY PRECAUTIONS**

---

- 3 Precautions In Installing the Product
- 4 Precautions to the AC Adapter and Electrical Power
- 5 Precautions In Moving the Product
- 5 Precautions In Using the Product
- 5 Mounting on a Wall

## **6 LICENSES**

---

## **7 ASSEMBLY AND PREPARATION**

---

- 7 Optional Accessories
- 9 Parts and Buttons
- 9 Connecting the Stand
- 10 Connecting the Speakers
- 10 Connecting IR & Light Sensor
- 11 Portrait Layout
- 12 Attaching and Removing the LG Logo Bracket
- 13 Installing on a Wall

## **15 REMOTE CONTROL**

---

- 17 Displaying the Device Name Connected to an Input Port
- 17 White Balance Adjust Menu

## **18 MAKING CONNECTIONS**

---

- 18 Connecting to a PC
- 18 External Device Connection
- 20 Daisy Chain Monitors

## **21 TROUBLESHOOTING**

---

## **24 PRODUCT SPECIFICATIONS**

---

# Safety precautions

Please read these safety precautions carefully before using the product.

## WARNING

If you ignore the warning message, you may be seriously injured or there is a possibility of accident or death.

## CAUTION

If you ignore the caution message, you may be slightly injured or the product may be damaged.

## WARNING

- Indoor Use Only.

## Precautions In Installing the Product

### WARNING

- Keep away from heat sources like electrical heaters.
  - ▶ Electrical shock, fire, malfunction, or deformation may occur.
- Keep the packing anti-moisture material or vinyl packing out of the reach of children.
  - ▶ Anti-moisture material is harmful if swallowed. If swallowed by mistake, force the patient to vomit and visit the nearest hospital. Additionally, vinyl packing can cause suffocation. Keep it out of the reach of children.
- Do not put heavy objects on the product or sit upon it.
  - ▶ If the product collapses or is dropped, you may be injured. Children must pay particular attention.
- Do not leave the power or signal cable unattended on the pathway.
  - ▶ The passerby can trip or fall, which can cause electrical shock, fire, product breakdown, or injury.
- Install the product in a neat and dry place.
  - ▶ Dust or moisture can cause electrical shock, fire or product damage.
- If you can smell smoke or other odors or hear a strange sound unplug the power cord and contact the service center.
  - ▶ If you continue to use without taking proper measures, electrical shock or fire can occur.
- If you dropped the product or the case is broken, turn off the product and unplug the power cord.
  - ▶ If you continue to use without taking proper measures, electrical shock or fire can occur. Contact the service center.
- Do not drop an object on or apply impact to the product. Do not throw any toys or objects on the product screen.
  - ▶ It can cause injury to human, problem to product and damage the display.
- Do not let the product fall or drop when connecting it with an external device.

- ▶ This may cause injury and/or damage to the product.
- When connecting it to a game device, keep a distance of four times the diagonal measurement of the screen from the device.
  - ▶ If the product falls because of the short cable, this may cause injury and/or damage to the product.
- Leaving a fixed image on the screen for a long time may cause damage to the screen and cause image burn-in. To use the product for a long period of time, use a screen saver on the PC or utilize the residual image prevention function on the product, and when the product is not used, turn off the power. Burn-in and related problems are not covered by the warranty on this product.
- Do NOT install this product on a wall where there is high risk of exposure to oil fumes or mist.
  - ▶ This may damage product and cause it to fail.

### CAUTION

- Make sure the product ventilation holes are not blocked. Install the product in a suitably wide place (more than 10 cm from the wall)
  - ▶ If you install the product too close to the wall, it may be deformed or fire can break out due to internal heat.
- Do not block the ventilation hole of the product by a tablecloth or curtain.
  - ▶ The product can be deformed or fire can break out due to overheating inside the product.
- Install the product on a flat and stable place that has no risk of dropping the product.
  - ▶ If the product is dropped, you may be injured or the product may be broken.
- Install the product where no EMI occurs.
- Keep the product away from direct sunlight.
  - ▶ The product can be damaged.
- If you install the product in a place that does not meet the recommended conditions, this may cause serious damage to the product's picture quality, life cycle, and appearance. Please check with LG or a qualified installer before installing. This caution applies to a place where there is an abundance of fine dust or oil mist, chemical substances are used, the temperature is very high or low, the humidity is very high, or the product is likely to remain turned on for a long period of time (airport and train station). failure to do so will invalidate the warranty.
- Do not install the product in an area with poor ventilation (e.g. on a bookshelf, in a closet) or outside and avoid placing on cushions or carpets.
- In addition, do not install it where there are heating objects such as lighting equipment.

## Precautions to the AC Adapter and Electrical Power

### WARNING

- If water or any foreign substance goes inside the product (TV, monitor, power cord, or AC adapter), disconnect the power cord immediately and contact the service center.
  - ▶ Otherwise, this may cause a fire or electric shock due to damage to the product.
- Do not touch the power plug or AC adapter with wet hands. If the pins of the plug are wet or dusty, wipe and dry them before use.
  - ▶ Otherwise, this may cause a fire or electric shock.
- Make sure to completely insert the power cord into the AC adapter.
  - ▶ If loosely connected, the poor connection may cause a fire or electric shock.
- Be sure to use power cords and AC adapters provided or approved by LG Electronics, Inc.
  - ▶ The use of non-approved products may cause a fire or electric shock.
- When unplugging the power cord, always pull it by the plug. Do not bend the power cord with excessive force.
  - ▶ The power line can be damaged, which may cause electric shock or fire.
- Be careful not to step or place heavy objects (electronic appliances, clothing, etc.) on the power cord or AC adapter. Be careful not to damage the power cord or AC adapter with sharp objects.
  - ▶ Damaged power cords may cause a fire or electric shock.
- Never disassemble, repair or modify the power cord or AC adapter.
  - ▶ This may cause a fire or electric shock.
- Make sure to connect the power cable to the grounded current.
  - ▶ You may be electrocuted or injured.
- Use the rated voltage only.
  - ▶ The product can be damaged, or you may be electrocuted.
- In the presence of thunder and lightning, never touch the power cord and signal cable because it can be very dangerous.
  - ▶ It can cause electric shock.
- Do not connect several extension cords, electrical appliances, or electrical heaters to a single outlet. Use a power strip with a grounding terminal designed for exclusive use with the computer.
  - ▶ A fire can break out due to overheating.
- Do not touch the power plug with wet hands. Additionally, if the cord pin is wet or covered with dust, dry the power plug completely or wipe dust off.
  - ▶ You may be electrocuted due to excess moisture.
- If you don't intend to use the product for a long time, unplug the power cable from the product.
  - ▶ Covering dust can cause a fire, or insulation deterioration can cause electric leakage, electric shock or fire.
- Fix the power cable completely.
  - ▶ If the power cable is not fixed completely, a fire can break out.
- Do not insert a conductor (like a metal chopstick) into one end of the power cable while the other end is connected to the input terminal on the wall. Additionally, do not touch the power cable right after plugging into the wall input terminal.
  - ▶ You may be electrocuted.
- The appliance coupler is used as the disconnect device.
- Please make sure the device is installed near the wall outlet to which it is connected and that the outlet is easily accessible.

- As long as this unit is connected to the AC wall outlet, it is not disconnected from the AC power source even if the unit is turned off.

### CAUTION

- Be sure to keep the outlet, AC adapter, and pins of the power plug clean from dust and etc.
  - ▶ This may cause a fire.
- Do not unplug the power cord while the product is in use.
  - ▶ Electrical shock can damage the product.
- Use only the power cord supplied with the unit. If you use another power cord, make sure that it is certified by the applicable national standards when not provided by the supplier. If the power cable is faulty in any way, please contact the manufacturer or the nearest authorized repair service provider for a replacement.

## Precautions In Moving the Product

### ⚠ WARNING

- Make sure to turn off the product.
  - ▶ You may be electrocuted or the product can be damaged.
- Make sure to remove all cables before moving the product.
  - ▶ You may be electrocuted or the product can be damaged.
- Make sure the panel faces forward and hold it with both hands to move. If you drop the product, the damaged product can cause electric shock or fire. Contact an authorized the service center for repair.
- Make sure the product is turned off, unplugged, and all cables have been removed. It may take 2 or more people to carry larger apparatus. Do not press against or put stress on the front panel of the apparatus.

### ⚠ CAUTION

- Do not shock the product when moving it.
  - ▶ You may be electrocuted or the product can be damaged.
- Do not dispose the product-packing box. Use it when you move.

## Precautions In Using the Product

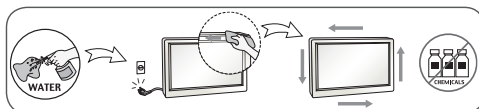
### ⚠ WARNING

- Do not disassemble, repair or modify the product at your own discretion.
  - ▶ Fire or electric shock accident can occur.
  - ▶ Contact the service center for check, calibration or repair.
- When the display is to be left unattended for an extended period of time, unplug it from the wall outlet.
- Keep the product away from water.
  - ▶ Fire or electric shock accident can occur.
- Do not shock or scratch the front and sides of the screen with metallic objects.
  - ▶ Otherwise, it may cause damage to the screen.
- Avoid high temperatures and humidity.

### ⚠ CAUTION

- Do not put or store inflammable substances near the product.
  - ▶ There is a danger of explosion or fire due to careless handling of the inflammable substances.
- When cleaning the product, unplug the power cord and scrub gently with a soft cloth to prevent scratching. Do not clean with a wet cloth or spray water or other liquids directly onto the product. An electric shock may occur. (Do not use chemicals such as benzene, paint thinners, or alcohol)
- Take a rest from time to time to protect your vision.
- Keep the product clean at all times.
- Take a comfortable and natural position when working with a product to relax the muscles.
- Take a regular break when working with a product for a long time.
- Do not press strongly upon the panel with a hand or sharp object

- such as nail, pencil, or pen, or make a scratch on it.
- Keep the proper distance from the product.
  - ▶ Your vision may be impaired if you look at the product too closely.
- Set the appropriate resolution and clock by referring to the User's Guide.
  - ▶ Your vision can be impaired.
- Use authorized detergent only when cleaning the product. (Do not use benzene, thinner, or alcohol.)
  - ▶ Product can be deformed.
- Do not expose to dripping or splashing and do not place objects filled with liquids, such as vases, cups, etc. on or over the apparatus (e.g. on shelves above the unit).
- Batteries should not be exposed to excessive heat. For example, keep away from direct sunlight, open fireplace, and electric heaters.
- Do NOT place non-rechargeable batteries in charging device.
- Using headsets (earphones) for a long time or listening loudly can cause damage to your hearing.
- Spray water onto a soft cloth 2 to 4 times, and use it to clean the front frame; wipe in one direction only. Too much moisture may cause staining.



- Do not use products using high voltage around the Monitor. (e.g., a bug zapper)
  - ▶ Monitor may have malfunction as its electrical shock.

## Mounting on a Wall

- Do NOT install this product by yourself as you may injure yourself or cause damage to product. Please contact service personnel authorised by manufacturer.

# LICENSES

Supported licenses may differ by model. For more information of the licenses, visit [www.lg.com](http://www.lg.com).



The terms HDMI and HDMI High-Definition Multimedia Interface, and the HDMI logo are trademarks or registered trademarks of HDMI Licensing LLC in the United States and other countries.



This DivX Certified® device has passed rigorous testing to ensure it plays DivX® video. To play purchased DivX movies, first register your device at [vod.divx.com](http://vod.divx.com). Find your registration code in the DivX VOD section of your device setup menu. DivX Certified® to play DivX® video up to HD 1080p, including premium content. DivX®, DivX Certified® and associated logos are trademarks of DivX, LLC and are used under license.

Covered by one or more of the following U.S. patents: 7,295,673; 7,460,668; 7,515,710; 7,519,274.



Manufactured under license from Dolby Laboratories. Dolby and the double-D symbol are trademarks of Dolby Laboratories.

## NOTE

- The warranty will not cover any damage caused by using the product in an excessively dusty environment.

# ASSEMBLY AND PREPARATION



## CAUTION

- Always use genuine components to ensure safety and product performance.
- The product warranty will not cover damage or injury caused by the use of counterfeit components.

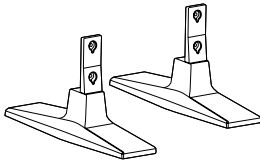


## NOTE

- The accessories provided with your product may vary depending on the model or region.
- Product specifications or contents in this manual may be changed without prior notice due to upgrade of product functions.
- SuperSign Software & Manual
  - Downloading from the LG Electronics website.
  - Visit the LG Electronics website ([www.lgcommercial.com/supersign](http://www.lgcommercial.com/supersign)) and download the latest software for your model.

## Optional Accessories

Without prior notice, optional accessories are subject to change to improve the performance of the product, and new accessories may be added. The illustrations in this manual may differ from the actual product and accessories.



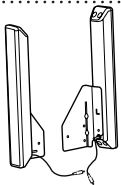
**Stand  
ST-200T**



**Screws**

Diameter 4.0 mm x Pitch 0.7 mm x  
Length 10 mm (including spring washer)

### Stand kit



**Speakers  
SP-2100**

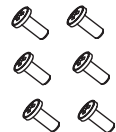


**Cable Holders/  
Cable Ties**



**Screws**

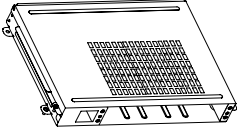
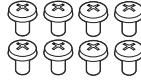
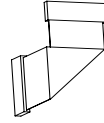
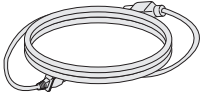
Diameter 4.0 mm x  
Pitch 0.7 mm x Length 8 mm  
(including spring washer)



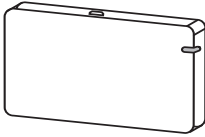
**Screws**

Diameter 4.0 mm x  
Pitch 1.6 mm x  
Length 10 mm

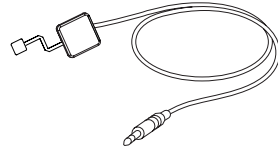
### Speaker kit

**KT-OPSA****Screws****Connecting  
Cable****Power Cord****Card (Easy Setup Guide)**

**OPS kit**

**AN-WF500**

**Wi-Fi Dongle kit**

**KT-SP0**

**Pixel sensor kit**

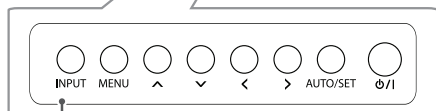
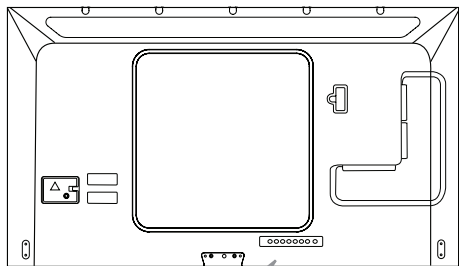
**!** **NOTE**

- Cable holder/Cable tie may not be available in some areas or for some models.
- Optional accessories are available for some models. If necessary, please purchase them separately.
- Pixel sensor is sold separately. You can obtain additional accessories from your local retail store.



## Parts and Buttons

- The image may be different according to the model



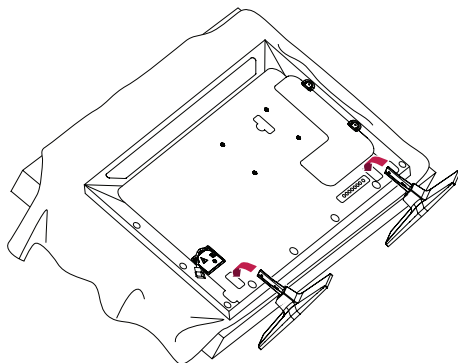
### Buttons

- **INPUT:** Changes the input source.
- **MENU:** Accesses the main menus, or saves your input and exits the menus.
- **^ v:** Adjust the up and down.
- **< >:** Moves left and right.
- **AUTO/SET:** Displays the current signal and mode.
- **⏻/I:** Turns the power on or off.

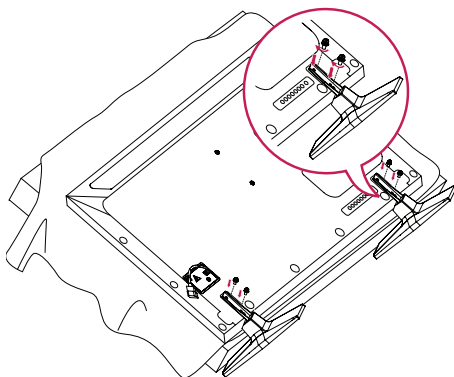
## Connecting the Stand

- For certain models only.  
- The image may be different according to the model

1



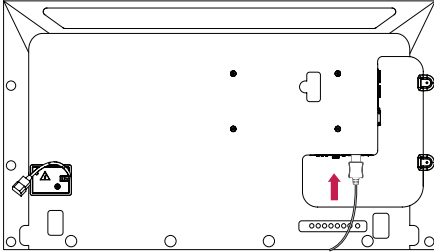
2



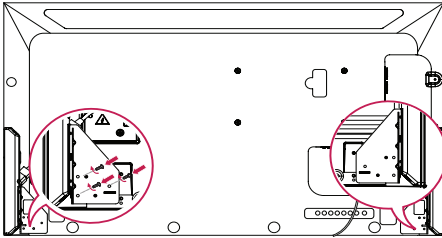
## Connecting the Speakers

- For certain models only.
- The image may be different according to the model.

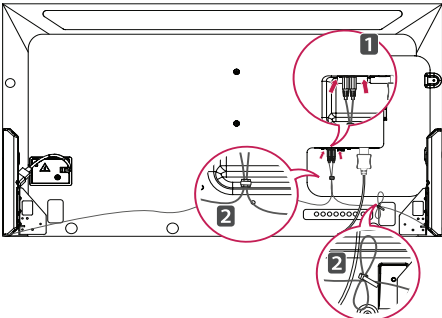
- 1 Connect an input signal cable before installing the speakers.



- 2 Mount the speakers by using screws as shown below. Make sure the power cable is disconnected before making a connection.



- 3 Connect the speaker cables noting the correct polarity. Use cable holders and cable ties to organize the speaker cables.



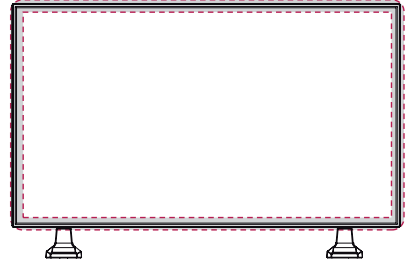
## ! NOTE

- Please turn off the power before removing the cable. Connecting or removing the speaker cable while turned on may result in no sound.

## Connecting IR & Light Sensor

When you connect the cable to the product, the feature for receiving remote control signals is activated. The IR & light sensor is magnetic. Attach it to the front edge of the product for use.

[Front]

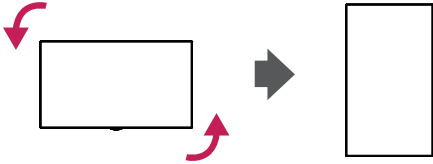


## ! NOTE

- The signal strength of the IR and Light sensor will decrease if the sensor is not placed in front of the product.

## Portrait Layout

When installing in a portrait layout, rotate the monitor counterclockwise 90 degrees (when facing the screen).

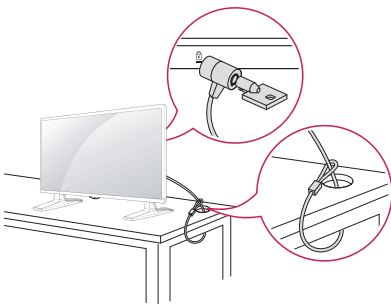


### Using Kensington Lock

(This is not available for all models.)

The Kensington security system connector is located at the back of the monitor. For more information on installation and use of this system, refer to the manual provided with the Kensington security system or visit <http://www.kensington.com>.

Connect the Kensington security system cable between the monitor and a table.



### ! NOTE

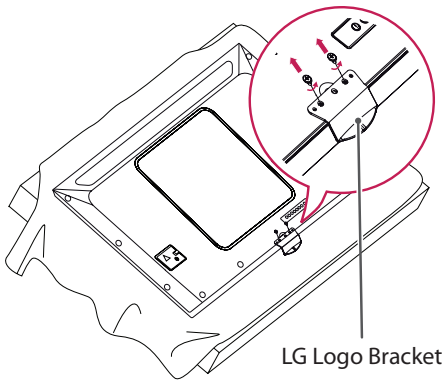
- The Kensington security system is optional. You can obtain additional accessories from most electronics retail stores.

## Attaching and Removing the LG Logo Bracket

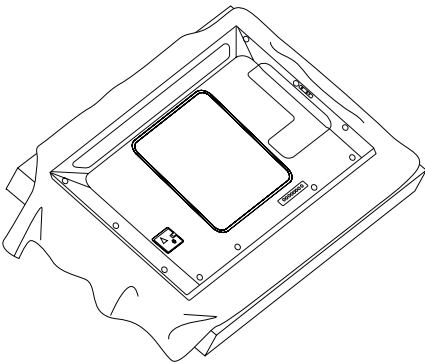
- For certain models only.
- The image may be different according to the model.

### Removing the LG Logo

- 1 Lay a clean cloth on the floor, and then put the monitor on it with the screen face down. Remove the two screws that secure the LG Logo Bracket to the bottom of the rear side of the monitor using a screwdriver.

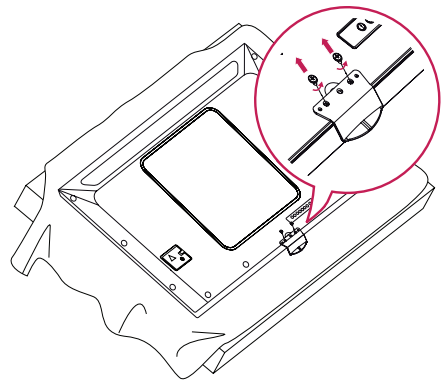


- 2 After removing the screws, remove the LG Logo. When re-attaching the LG Logo, follow the process in reverse order.

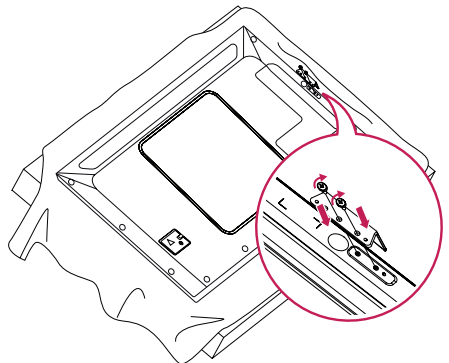


### Attaching the LG Logo on the right side

- 1 Lay a clean cloth on the floor, and then put the monitor on it with the screen face down. Remove the two screws that secure the LG Logo Bracket to the bottom of the rear side of the monitor using a screwdriver.

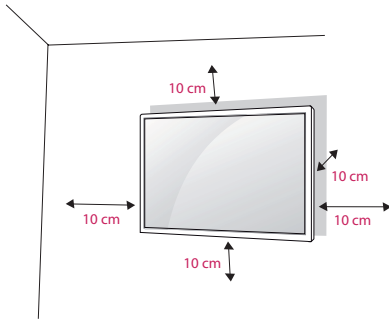


- 2 After removing the screws, remove the LG Logo. Attach the LG Logo Bracket with the two screws, aligning it with the holes at the right side.



## Installing on a Wall

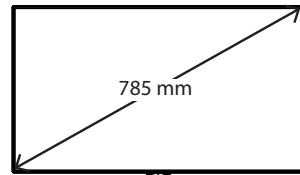
For proper ventilation, allow a clearance of 10 cm on each side and from the wall. Detailed installation instructions are available from your dealer, see the optional Tilt Wall Mounting Bracket Installation and Setup Guide.



To install your monitor on a wall, attach a wall mounting bracket (optional part) to the back of the monitor.

Make sure that the wall mounting bracket is securely fixed to the monitor and to the wall.

- 1 Use only screws and wall mounting brackets that conform to VESA standards.
- 2 Screws which are longer than standard length may damage the inside of the monitor.
- 3 A non-VESA standard screw may damage the product and cause the monitor to fall. LG Electronics is not liable for any accidents related to the use of non-standard screws.
- 4 Please use VESA standard as below.
  - 785 mm and above
  - \* Fixing screws: Diameter 6.0 mm x Pitch 1.0 mm x Length 12 mm



### CAUTION

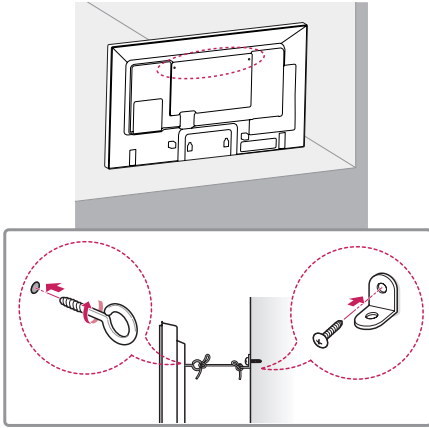
- Disconnect the power cord before moving or installing the monitor to avoid risk of electric shock.
- If you install the monitor on a ceiling or slanted wall, it may fall and result in injury. Use an authorized LG wall mount and contact your local dealer or qualified personnel to assist with the installation.
- Do not over tighten the screws as this may damage the monitor and void your warranty.
- Use only screws and wall mounting brackets that meet the VESA standard. Any damage or injuries caused by misuse or use of improper accessories are not covered by the warranty.
- To prevent injury, this apparatus must be securely attached to the wall in accordance with the installation instructions. (This pertains only to Australia and New Zealand.)

### NOTE

- The wall mount kit includes the installation guide and all necessary parts.
- The wall mounting bracket is optional. You can obtain additional accessories from your local dealer.
- The length of screws required may differ depending on the wall mount. Be sure to use the correct length.
- For more information, please refer to the guide provided with the wall mount.

**Securing the monitor to a wall (optional)**

(Procedure may differ depending on the model.)



- 1 Insert and tighten the eyebolts, or brackets and bolts on the back of the monitor.  
- If there are already bolts inserted in the eyebolts' position, remove the other bolts first.
- 2 Mount the wall brackets with the bolts to the wall. Match the location of the wall bracket and the eyebolts on the rear of the monitor.
- 3 Connect the eyebolts and wall brackets tightly with a sturdy cord.  
Make sure the securing cord is horizontal with the flat surface.

**! WARNING**

- If the monitor is not positioned in a sufficiently stable location, there is a danger that it will fall. Many injuries, particularly to children, can be avoided by taking simple precautions such as:
  - » Using cabinets or stands recommended by the manufacturer.
  - » Only using furniture that can safely support the monitor.
  - » Ensuring the monitor is not overhanging the edge of the supporting furniture.
  - » Not placing the monitor on tall furniture (for example, cupboards or bookcases) without anchoring both the furniture and the monitor to a suitable support.
  - » Not placing cloth or other materials between the monitor and supporting furniture.
  - » Educating children about the dangers of climbing on furniture to reach the monitor or its controls.

**! CAUTION**

- Make sure that children do not climb on or hang from the monitor.

**! NOTE**

- Use a platform or cabinet that is large and strong enough to support the monitor securely.
- Brackets, bolts, and cords are sold separately. You can obtain additional accessories from your local retail store.
- The illustration shows a general example of installation and may look different from the actual product.

# REMOTE CONTROL

The descriptions in this manual are based on the buttons on the remote control. Please read this manual carefully to use the monitor correctly.

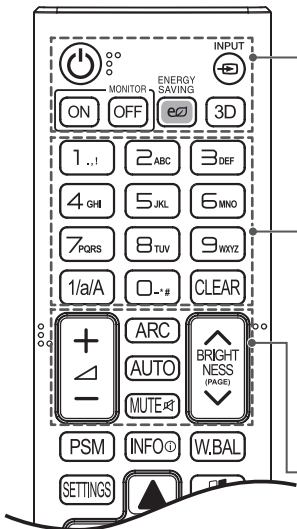
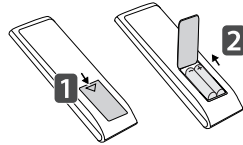
To install batteries, open the battery cover, place batteries (1.5 V AAA) matching  $\oplus$  and  $\ominus$  terminals to the labels inside the compartment, and close the battery cover.

To remove the batteries, perform the installation actions in reverse. The illustrations may differ from the actual accessories.



## CAUTION

- Do not mix old and new batteries, as this may damage the remote control.
- Be sure to point the remote control toward the remote control sensor on the monitor.



**⏻ (POWER)** Turns the monitor on or off.

**MONITOR ON** Turns the monitor on.

**MONITOR OFF** Turns the monitor off.

**ENERGY SAVING (e)** Adjusts the brightness of the picture to reduce energy consumption.

**INPUT** Selects the input mode.

**3D** Used for viewing 3D videos. (This model does not support this.)

**1/a/A** Toggles between numerical and alphabetical.  
(Depending upon the model, this feature may not be supported.)

### Number and Alphabet buttons

Enters numerical or alphabetical characters depending upon the setting.  
(Depending upon the model, this feature may not be supported.)

**CLEAR** Deletes the entered numerical or alphabetical character.  
(Depending upon the model, this feature may not be supported.)

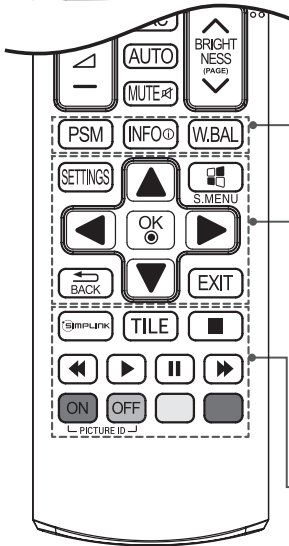
**Volume Up/Down Button** Adjusts the volume.

**ARC** Selects the Aspect Ratio mode.

**AUTO** Automatically adjusts picture position and minimizes image instability (available for RGB input only). (Depending upon the model, this feature may not be supported.)

**MUTE** Mutes all sounds.

**BRIGHTNESS** Adjust the brightness by pressing the Up and Down buttons on the remote control. In USB mode, the OSD menu has the Page function to move to the next file list.  
(Depending upon the model, this feature may not be supported.)



**PSM** Selects the Picture Mode.

**INFO** ⓘ Views the information of the currently program and the screen.

**W.BAL** Enters the White Balance menu.

**SETTINGS** Accesses the main menus or saves your input and exit menus.

**S.MENU** SuperSign menu key (Depending upon the model, this feature may not be supported.)

**Navigation Buttons** Scrolls through menus or options.

**OK** Selects menus or options and confirms your input.

**BACK** Allows you to move back one step in the user interaction function.

**EXIT** Quit all OSD tasks and applications.

**SIMPLINK** Allows you to control various multimedia devices to enjoy multimedia simply by using the remote control through the SimpLink menu. (Depending upon the model, this feature may not be supported.)

**TILE** Selects the TILE Mode.

**PICTURE ID ON/OFF** When the Picture ID number matches the Set ID number, you can control whichever monitor you want in multi-display format.

**USB Menu Control Buttons** Controls media playback.



## Displaying the Device Name Connected to an Input Port

Display which devices are connected to which external input ports.

- 1 Access the Input list screen and press the red (input label) button on the remote control.
- 2 You can assign an input label for every input except USB.

### NOTE

- External inputs supported : HDMI, DVI-D, DISPLAYPORT, OPS, RGB
- Labels available : PC, DTV
- The input labels are displayed on the Input Label screen or at the top left of the screen when you change the external input setting.
- For DTV/PC-compatible signals, such as 1080p 60 Hz, the screen settings may change according to the input label. The Just Scan option is available if a PC is connected as an external device.

## White Balance Adjust Menu

Press the W.BAL button on the remote control.

- **R-Gain** : Adjusts the level of red. The higher the number, the redder the set. Decrease the number if the screen looks too red.
- **G-Gain** : Adjusts the level of green. The higher the number, the greener the set. Decrease the number if the screen looks too green.
- **B-Gain** : Adjusts the level of blue. The higher the number, the bluer the set. Decrease the number if the screen looks too blue.
- **Backlight** : Adjusts the brightness. The higher the number, the brighter the set. This works in the same way as the backlight of the user menu.
- **Reset** : Resets the white balance value to the factory settings.

# MAKING CONNECTIONS

You can connect various external devices to your monitor. Change the input mode and select the external device you want to connect.

For more information about external device connections, see the user manual provided with each device.

## Connecting to a PC

Some of the cables are not provided.

This monitor supports the Plug & Play\* feature.

\* Plug & Play: a feature that enables a PC to recognize devices attached by the user without device configuration or user intervention when powering up.

## External Device Connection

Connect a HD receiver, DVD, or VCR player to the monitor and select an appropriate input mode.

Some of the cables are not provided. For the best picture and sound quality, connecting external devices to your monitor using HDMI cables is recommended.

 **NOTE**

- For the best image quality, using the monitor with HDMI connection is recommended.
- To comply with the standard specifications of the product, use a shielded interface cable with a ferrite core, such as a DVI cable.
- If you turn the monitor on when the set is cold, the screen may flicker. This is normal.
- Sometimes red, green, or blue spots may appear on the screen. This is normal.
- Use a High Speed HDMI<sup>®/TM</sup> cable.
- Use a certified cable with the HDMI logo attached. If you do not use a certified HDMI cable, the screen may not display or a connection error may occur.
- Recommended HDMI Cable Types
  - High-Speed HDMI<sup>®/TM</sup> Cable
  - High-Speed HDMI<sup>®/TM</sup> Cable with Ethernet
- If you cannot hear any sound in HDMI mode please check your PC settings. Some PCs require you to manually change the default audio output to HDMI.
- If you want to use HDMI-PC mode, you must set your PC/DTV to PC mode.
- You may experience compatibility issues if you use HDMI-PC mode.
- Make sure the power cable is disconnected.
- If you connect a gaming device to the monitor, use the cable provided with the gaming device.
- It is recommended to use the speakers that are provided as optional accessories.
- High Speed HDMI<sup>®/TM</sup> cables transmit a HD signal up to 1080p and higher.
- Use the standard Macintosh adapter since an incompatible adapter is available in the market. (Different signaling system)
- Apple computers may require an adapter to connect to this monitor. Call or visit their web site for more information.

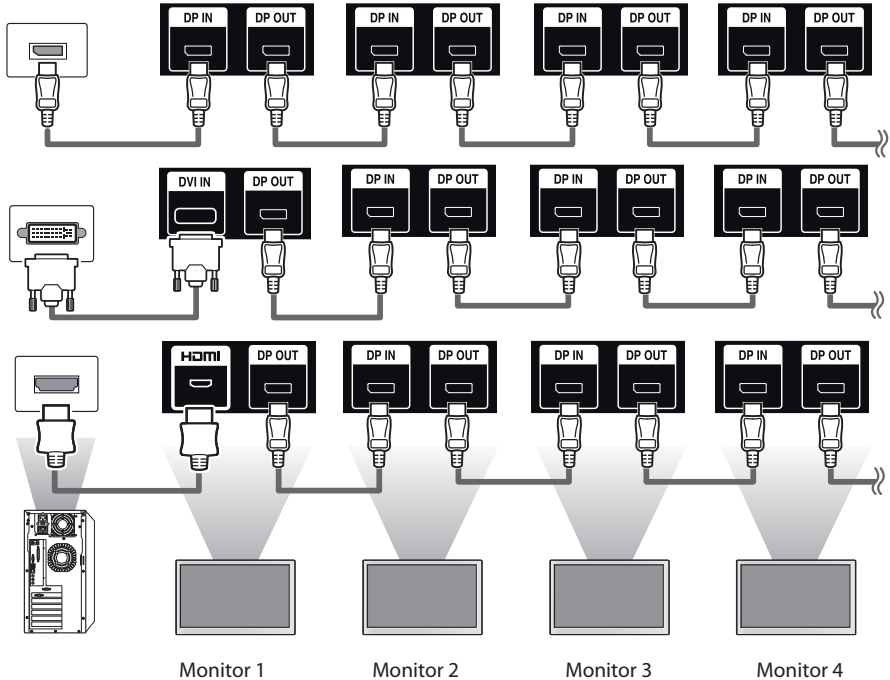
 **CAUTION**

- Connect the signal input cable and tighten it by turning the screws clockwise.
- Do not press the screen with your finger for a prolonged period as this may result in temporary distortion on the screen.
- Avoid displaying static images on the screen for a long period of time to prevent image burn. Use a screensaver if possible.
- A wireless communication device near your monitor can affect the image.

## Daisy Chain Monitors

To use different products connected to each other, connect one end of the signal input cable (DP Cable) to the DP Out connector of Monitor 1 and connect the other end to the DP In connector of the other product.

\* DP Cable - Use a DP cable that is certified to DP1.1a (SST) or higher.



### ! NOTE

- If the signal is stable and there is no cable loss, in general, up to 100 monitors can be connected via the DP Out port (at the recommended resolution). If you want to connect more than this number of monitors, use a booster.
- If you set the tile mode using DVI or HDMI, you will not be able to watch HDCP-encrypted content.
- If the signal cable between the product and your PC is too long, make sure to use the Booster or optical cable.

# TROUBLESHOOTING

## No image is displayed

| Problem                               | Action   |
|---------------------------------------|--|
| Is the product power cord connected?  | <ul style="list-style-type: none"> <li>• Check if the power cord is correctly plugged into the power outlet.</li> </ul>  |
| Does the Out of range message appear? | <ul style="list-style-type: none"> <li>• The signal from the PC (video card) is out of the vertical or horizontal frequency range of the product. Adjust the frequency range by referring to the Specifications in this manual.<br/>* Maximum resolution: 1920 x 1080 (60 Hz)</li> </ul> |
| Does the "No Signal" message appear?  | <ul style="list-style-type: none"> <li>• The signal cable between PC and product is not connected. Check the signal cable.</li> <li>• Press the INPUT menu in the remote Control to check the input signal.</li> </ul>   |

## The Unknown Product message appears when the product is connected.

| Problem                     | Action   |
|-----------------------------|--|
| Did you install the driver? | <ul style="list-style-type: none"> <li>• Check if the Plug &amp; Play function is supported by referring to the video card user manual.</li> </ul> |

## The screen image looks abnormal.

| Problem                             | Action  |
|-------------------------------------|---|
| Is the screen position wrong?       | <ul style="list-style-type: none"> <li>• Check if the video card resolution and frequency are supported by the product. If the frequency is out of range, set to the recommended resolution in the Control Panel Display Setting menu.</li> </ul> |
| The screen is displayed abnormally. | <ul style="list-style-type: none"> <li>• The proper input signal is not connected to the signal port. Connect the signal cable that matches with the source input signal.</li> </ul>  |

## After-image appears on the product.

| Problem   | Action  |
|---|---|
| After-image appears when the product is turned off. | <ul style="list-style-type: none"> <li>• If you use a fixed image for a long time, the pixels may be damaged. Use the screen-saver function.</li> <li>• When a dark image is displayed on the screen after an image with high contrast (black and white or gray), this may cause image sticking. This is normal for LCD screen products.</li> </ul> |

**The audio function does not work.**

| Problem            | Action   |
|--------------------|--|
| No sound?          | <ul style="list-style-type: none"> <li>• See if the audio cable is connected properly.</li> <li>• Adjust the volume.</li> <li>• See if the sound is set properly.</li> </ul> |
| Sound is too dull. | <ul style="list-style-type: none"> <li>• Select the appropriate equalizer sound.</li> </ul>  |
| Sound is too low.  | <ul style="list-style-type: none"> <li>• Adjust the volume.</li> </ul>   |

**Screen color is abnormal.**

| Problem                                       | Action   |
|---|--|
| Screen has poor color resolution (16 colors). | <ul style="list-style-type: none"> <li>• Set the number of colors to more than 24 bits (true color). Select Control Panel - Display - Settings - Color Table menu in Windows.</li> </ul>   |
| Screen color is unstable or mono-colored.     | <ul style="list-style-type: none"> <li>• Check the connection status of the signal cable. Or, re-insert the PC video card.</li> </ul>  |
| Do black spots appear on the screen?          | <ul style="list-style-type: none"> <li>• Several pixels (red, green, white, or black color) may appear on the screen, which can be attributable to the unique characteristics of the LCD panel. This is not a malfunction of the LCD.</li> </ul> |

**The operation does not work normally.**

| Problem                        | Action   |
|--------------------------------|--|
| The power suddenly turned off. | <ul style="list-style-type: none"> <li>• Is the <b>Timer</b> set?</li> <li>• Check the power control settings. Power interrupted.</li> </ul> |

**NOTE**

- The software-related contents may be changed without prior notice due to upgrade of the product functions.



## CAUTION

- Image sticking does not occur when using constantly changing images but may occur when using a fixed image for an extended period of time. Therefore, it is recommended that you use the instructions below to decrease the likelihood of image sticking occurring when using a fixed image. It is recommended that you change the screen at least once every **12 hours** at the very minimum; if done more frequently, the prevention of image sticking is more effective.

### Recommended operating conditions

- 1 Change the background and the character colors using the same time interval.

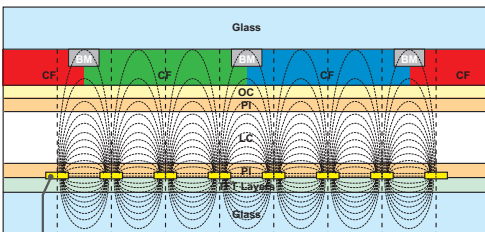


When changing colors, using complementary colors helps to prevent image sticking.

- 2 Change the image using the same time interval.



Make sure that the characters or images before changing the image remain in the same location after changing the image.



ITO or MoTi Pixel Layer

### What is image sticking?

When the LCD panel displays a static image for an extended period of time, it can cause a voltage difference between the electrodes that operate the liquid crystals. When the voltage difference between the electrodes builds up over time, liquid crystals have a tendency to remain aligned in one direction. During this process, a previously displayed image remains visible. This phenomenon is referred to as image sticking.

# PRODUCT SPECIFICATIONS

The product specifications below may be changed without prior notice due to upgrade of product functions.

“~” refers to alternating current (AC), and “= ” refers to direct current (DC).

|                          |                        |   |
|--------------------------|------------------------|---|
| LCD screen               | Screen type            | Thin Film Transistor (TFT)<br>Liquid Crystal Display (LCD) Screen   |
| Video signal             | Maximum resolution     | 1920 x 1080 @ 60 Hz<br>- This may not be supported on some OS or graphic card types.                          |
|                          | Recommended resolution | 1920 x 1080 @ 60 Hz<br>- This may not be supported on some OS or graphic card types.                          |
|                          | Horizontal frequency   | RGB : 30 kHz to 83 kHz<br>HDMI/OPS/DVI-D/DISPLAYPORT : 28,1 kHz to 83 kHz                                     |
|                          | Vertical frequency     | RGB : 50 Hz to 75 Hz<br>HDMI/OPS/DVI-D/DISPLAYPORT : 50 Hz to 60 Hz   |
|                          | Synchronization        | Separate Sync, Digital  |
| Input/ Output ports      |                        | SPEAKER OUT,AUDIO IN/OUT,LAN, PIXEL SENSOR, HDMI, IR&LIGHT SENSOR, DP IN/OUT, DVI-D, USB, RGB, RS-232C IN/OUT |
| Embedded battery         |                        | Applied   |
| Environmental Conditions | Operating Temperature  | 0 °C to 40 °C   |
|                          | Operating Humidity     | 10 % to 80 %  |
|                          | Storage Temperature    | -20 °C to 60 °C   |
|                          | Storage Humidity       | 5 % to 95 %   |

\* **Applicable only for models that support the speakers**

|             |                   |                     |
|-------------|-------------------|---------------------|
| Audio/AUDIO | RMS Audio Output  | 10 W + 10 W (R + L) |
|             | Input Sensitivity | 0.7 Vrms            |
|             | Speaker Impedance | 8 Ω                 |



## 42SH7DB

|  |                        |  |
|--|------------------------|--|
| LCD screen                                   | Pixel pitch            | 0.4833 mm (H) x 0.4833 mm (V)  |
| Power  | Rated power            | AC 100-240 V~ 50/60 Hz 1.2 A   |
|  | Power consumption      | On Mode: 110 W (Typ.)<br>Sleep Mode (DISPLAYPORT): ≤ 0.7 W<br>Sleep Mode (HDMI,DVI-D,RGB): ≤ 1.0 W<br>Off Mode: ≤ 0.5W |
| Dimensions (Width x Height x Depth) / Weight | Head                   | 948.7 mm x 555.3 mm x 31.7 mm / 12.5 kg  |
|  | Head + Stand           | 948.7 mm x 617.7 mm x 298.3 mm / 13.9 kg   |
|  | Head + Speaker         | 948.7 mm x 555.3 mm x 81.3 mm / 13.3 kg  |
|  | Head + Speaker + Stand | 948.7 mm x 617.7 mm x 298.3 mm / 14.7 kg   |

## 49SH7DB

|  |                        |   |
|--|------------------------|---|
| LCD screen                                   | Pixel pitch            | 0.55926 mm (H) x 0.55926 mm (V)   |
| Power  | Rated power            | AC 100-240 V~ 50/60 Hz 1.6 A  |
|  | Power consumption      | On Mode: 125 W (Typ.)<br>Sleep Mode (DISPLAYPORT): ≤ 0.7 W<br>Sleep Mode (HDMI,DVI-D,RGB): ≤ 1.0 W<br>Off Mode: ≤ 0.5 W |
| Dimensions (Width x Height x Depth) / Weight | Head                   | 1094.6 mm x 637.4 mm x 31.7 mm / 15.6 kg  |
|  | Head + Stand           | 1094.6 mm x 699.7 mm x 298.3 mm / 17.0 kg   |
|  | Head + Speaker         | 1094.6 mm x 637.4 mm x 81.3 mm / 16.4 kg  |
|  | Head + Speaker + Stand | 1094.6 mm x 699.7 mm x 298.3 mm / 17.8 kg   |

55SH7DB

|  |                        |  |
|--|------------------------|--|
| LCD screen                                   | Pixel pitch            | 0.630 mm (H) x 0.630 mm (V)  |
| Power  | Rated power            | AC 100-240 V~ 50/60 Hz 1.7 A   |
|  | Power consumption      | On Mode: 140 W (Typ.)<br>Sleep Mode (DISPLAYPORT): $\leq 0.7$ W<br>Sleep Mode (HDMI,DVI-D,RGB): $\leq 1.0$ W<br>Off Mode: $\leq 0.5$ W |
| Dimensions (Width x Height x Depth) / Weight | Head                   | 1230.4 mm x 713.7 mm x 31.7 mm / 20.7 kg   |
|  | Head + Stand           | 1230.4 mm x 776.1 mm x 298.3 mm / 22.1 kg  |
|  | Head + Speaker         | 1230.4 mm x 713.7 mm x 81.3 mm / 21.5 kg   |
|  | Head + Speaker + Stand | 1230.4 mm x 776.1 mm x 298.3 mm / 22.9 kg  |

**RGB(PC) Support mode**

| Resolution  | Horizontal frequency (kHz) | Vertical frequency (Hz) |
|-------------|----------------------------|-------------------------|
| 720 x 400   | 31.468                     | 70.8                    |
| 640 x 480   | 31.469                     | 59.94                   |
| 800 x 600   | 37.879                     | 60.317                  |
| 1024 x 768  | 48.363                     | 60                      |
| 1280 x 720  | 44.772                     | 59.855                  |
| 1280 x 960  | 60                         | 60                      |
| 1152 x 864  | 57.717                     | 59.934                  |
| 1280 x 1024 | 63.981                     | 60.02                   |
| 1920 x 1080 | 67.5                       | 60                      |

**HDMI / OPS / DISPLAYPORT (DTV) Support Mode**

| Resolution | Horizontal frequency (kHz) | Vertical frequency (Hz) |
|------------|----------------------------|-------------------------|
| 480/60P    | 31.5                       | 60                      |
| 576/50P    | 31.25                      | 50                      |
| 720/50P    | 37.5                       | 50                      |
| 720/60P    | 45                         | 60                      |
| 1080/50i   | 28.1                       | 50                      |
| 1080/60i   | 33.75                      | 60                      |
| 1080/50P   | 56.25                      | 50                      |
| 1080/60P   | 67.5                       | 60                      |

**HDMI / OPS / DVI-D / DISPLAYPORT (PC) Support Mode**

| Resolution  | Horizontal frequency (kHz) | Vertical frequency (Hz) |
|-------------|----------------------------|-------------------------|
| 640 x 480   | 31.469                     | 59.94                   |
| 800 x 600   | 37.879                     | 60.317                  |
| 1024 x 768  | 48.363                     | 60                      |
| 1280 x 720  | 44.772                     | 59.855                  |
| 1366 x 768  | 47.7                       | 60                      |
| 1280 x 1024 | 63.981                     | 60.02                   |
| 1680 x 1050 | 65.290                     | 59.954                  |
| 1920 x 1080 | 67.5                       | 60                      |

**! NOTE**

- PC resolutions available for the Input Label option in RGB/ HDMI/ OPS / DVI-D / DISPLAYPORT input modes: 640 x 480/60 Hz, 1280 x 720/60 Hz, 1920 x 1080/60 Hz; 480p, 720p, and 1080p DTV resolutions.
- Vertical frequency: The product display functions by the screen image changing dozens of times every second like a fluorescent lamp. The vertical frequency or refresh rate is the number of image displays per second. The unit is Hz.
- Horizontal frequency: The horizontal interval is the time taken to display one horizontal line. When 1 is divided by the horizontal interval, the number of horizontal lines displayed every second can be tabulated as the horizontal frequency. The unit is kHz.
- DISPLAYPORT does not support YCbCr 4:2:2.



ENERGY STAR is a set of power-saving guidelines issued by the U.S. Environmental Protection Agency (EPA).



As an ENERGY STAR Partner LGE U. S. A., Inc. has determined that this product meets the ENERGY STAR guidelines for energy efficiency.

Refer to [ENERGY STAR.gov](http://ENERGY STAR.gov) for more information on the ENERGY STAR program.

MODEL \_\_\_\_\_

SERIAL \_\_\_\_\_

Make sure to read the Safety Precautions before using the product. The model and serial numbers of the SET are located on the back and one side of the SET. Record it below should you ever need service.

**WARNING** -This is a class A product. In a domestic environment this product may cause radio interference in which case the user may be required to take adequate measures.

Temporary noise is normal when powering ON or OFF this device.