



**AL-C500 Series**

# **User's Guide**

---

---

## Copyright and Trademarks

No part of this publication may be reproduced, stored in a retrieval system, or transmitted in any form or by any means, mechanical, photocopying, recording, or otherwise, without the prior written permission of Seiko Epson Corporation. No patent liability is assumed with respect to the use of the information contained herein. Neither is any liability assumed for damages resulting from the use of the information contained herein.

Neither Seiko Epson Corporation nor its affiliates shall be liable to the purchaser of this product or third parties for damages, losses, costs, or expenses incurred by purchaser or third parties as a result of: accident, misuse, or abuse of this product or unauthorized modifications, repairs, or alterations to this product, or (excluding the U.S.) failure to strictly comply with Seiko Epson Corporation's operating and maintenance instructions.

Seiko Epson Corporation and its affiliates shall not be liable against any damages or problems arising from the use of any options or any consumable products other than those designated as Original Epson Products or Epson Approved Products by Seiko Epson Corporation.

Features Zoran Corporation Integrated Print System (IPS) for print language emulation.



A part of the ICC Profile contained within this product was created by Gretag Macbeth ProfileMaker. Gretag Macbeth is the registered trademark of Gretag Macbeth Holding AG Logo. ProfileMaker is a trademark of LOGO GmbH.

IBM and PS/2 are registered trademarks of International Business Machines Corporation.

Microsoft®, Windows®, and Windows Vista® are registered trademarks of Microsoft Corporation.

Apple®, Macintosh®, Mac®, Mac OS®, AppleTalk®, and Bonjour® are registered trademarks of Apple, Inc. Apple Chancery, Chicago, Geneva, Hoefler Text, Monaco, New York and True Type are trademarks or registered trademarks of Apple, Inc.

EPSON and EPSON ESC/P are registered trademarks and Epson AcuLaser and Epson ESC/P 2 are trademarks of Seiko Epson Corporation.

Monotype is a trademark of Monotype Imaging, Inc. registered in the United States Patent and Trademark Office and may be registered in certain jurisdictions.

Albertus, Arial, Coronet, GillSans, Times New Roman and Joanna are trademarks of The Monotype Corporation registered in the United States Patent and Trademark Office and may be registered in certain jurisdictions.

ITC Avant Garde Gothic, ITC Bookman, ITC Lubalin, ITC Mona Lisa Recut, ITC Symbol, ITC Zapf-Chancery, and ITC ZapfDingbats are trademarks of International Typeface Corporation registered in the United States Patent and Trademark Office and may be registered in certain jurisdictions.

Clarendon, Helvetica, New Century Schoolbook, Optima, Palatino, Stempel Garamond, Times and Univers are registered trademarks of Heidelberger Druckmaschinen AG, which may be registered in certain jurisdictions, exclusively licensed through Linotype Library GmbH, a wholly owned subsidiary of Heidelberger Druckmaschinen AG.

Wingdings is a registered trademark of Microsoft Corporation in the United States and other countries.

Marigold is trademark of Arthur Baker and may be registered in some jurisdictions.

Antique Olive is a registered trademark of Marcel Olive and may be registered in certain jurisdictions.

Carta and Tekton are registered trademarks of Adobe Systems Incorporated.

Marigold and Oxford are trademarks of AlphaOmega Typography.

Coronet is a registered trademark of Ludlow Type Foundry.

Eurostile is a trademark of Nebiolo.

HP and HP LaserJet are registered trademarks of the Hewlett-Packard Company.

PCL is the registered trademark of Hewlett-Packard Company.

Adobe, the Adobe logo and PostScript3 are trademarks of Adobe Systems Incorporated, which may be registered in certain jurisdictions.

*General Notice: Other product names used herein are for identification purposes only and may be trademarks of their respective owners. Epson disclaims any and all rights in those marks.*

Copyright © 2012 Seiko Epson Corporation. All rights reserved.

---

## Operating System Versions

In this manual, the following abbreviations are used.

**Windows refers to Windows 7, 7 x64, Vista, Vista x64, XP, XP x64, Server 2008, Server 2008 x64, Server 2008 R2, Server 2003, and Server 2003 x64.**

- ❑ Windows 7 refers to Windows 7 Ultimate Edition, Windows 7 Home Premium Edition, Windows 7 Home Basic Edition, and Windows 7 Professional Edition.
- ❑ Windows 7 x64 refers to Windows 7 Ultimate x64 Edition, Windows 7 Home Premium x64 Edition, Windows 7 Home Basic x64 Edition, and Windows 7 Professional x64 Edition.
- ❑ Windows Vista refers to Windows Vista Ultimate Edition, Windows Vista Home Premium Edition, Windows Vista Home Basic Edition, Windows Vista Enterprise Edition and Windows Vista Business Edition.
- ❑ Windows Vista x64 refers to Windows Vista Ultimate x64 Edition, Windows Vista Home Premium x64 Edition, Windows Vista Home Basic x64 Edition, Windows Vista Enterprise x64 Edition and Windows Vista Business x64 Edition.
- ❑ Windows XP refers to Windows XP Home Edition and Windows XP Professional.
- ❑ Windows XP x64 refers to Windows XP Professional x64 Edition.
- ❑ Windows Server 2008 refers to Windows Server 2008 Standard Edition and Windows Server 2008 Enterprise Edition.
- ❑ Windows Server 2008 x64 refers to Windows Server 2008 x64 Standard Edition, Windows Server 2008 x64 Enterprise Edition, Windows Server 2008 R2 Standard Edition, and Windows Server 2008 R2 Enterprise Edition.
- ❑ Windows Server 2003 refers to Windows Server 2003 Standard Edition and Windows Server 2003 Enterprise Edition.
- ❑ Windows Server 2003 x64 refers to Windows Server 2003 x64 Standard Edition and Windows Server 2003 x64 Enterprise Edition.

**Mac OS refers to Mac OS X.**

- ❑ Mac OS X refers to Mac OS X 10.5.8 or later.

---

# Contents

## **Safety Instructions**

---

Warning, Caution, Important, and Note. . . . .	13
Important Safety Instructions. . . . .	13
Setting up the printer. . . . .	13
Finding the place for the printer. . . . .	15
Using the printer. . . . .	17
Handling consumable products and maintenance parts. . . . .	19
Safety Information. . . . .	20
Laser safety labels. . . . .	20
Internal laser radiation. . . . .	20
Ozone safety. . . . .	21

## **Chapter 1 Getting to Know Your Printer**

---

Printer Parts. . . . .	22
Front view. . . . .	22
Rear view. . . . .	23
Inside the printer. . . . .	23
Control panel. . . . .	25
Options. . . . .	26
Consumable Products. . . . .	27
Maintenance Parts. . . . .	28
Where to Find Information. . . . .	28
Printer Features. . . . .	29
Power saving performance. . . . .	29
Print Job Arranger. . . . .	29
Stapling/Offset function. . . . .	29
Large paper output capacity. . . . .	29

## **Chapter 2 Printing Tasks**

---

Loading Paper into Your Printer. . . . .	30
MP tray. . . . .	30
Lower paper cassette. . . . .	32

Output tray. . . . .	34
Selecting and Using Print Media. . . . .	34
Labels. . . . .	35
Envelopes. . . . .	36
Thick paper. . . . .	37
Semi-thick paper. . . . .	38
Coated paper. . . . .	39
Custom paper size. . . . .	39
Cancelling a Print Job. . . . .	41
From the printer. . . . .	41
From the computer. . . . .	41
Setting the Print Quality. . . . .	41
Using the Automatic setting. . . . .	42
Using the Advanced setting. . . . .	42
Customizing print settings. . . . .	43
Toner Save mode. . . . .	44
Monochrome Model Compatibility mode. . . . .	45
Adjusting the weight of thin lines. . . . .	45
Setting the Advanced Layout. . . . .	45
Duplex printing. . . . .	45
Modifying the print layout. . . . .	46
Resizing printouts. . . . .	47
Printing watermarks. . . . .	48
Printing headers and footers. . . . .	50
Printing with an overlay. . . . .	51
Printing with an overlay (with the storage). . . . .	54
Printing the copy-protected document. . . . .	56
Printing Multiple Print Jobs at Once. . . . .	57
Printing Web Pages to Fit Your Paper Size. . . . .	58
Using the Reserve Job Function. . . . .	58
Sending the print job. . . . .	59

### **Chapter 3 Using the Control Panel**

---

Using the Control Panel Menus. . . . .	60
When to make control panel settings. . . . .	60
How to access the control panel menus. . . . .	60
How to register menus as bookmarks. . . . .	61
Control Panel Menus. . . . .	62

Information Menu. . . . .	62
System Information. . . . .	64
Tray Menu. . . . .	65
Emulation Menu. . . . .	66
Printing Menu. . . . .	67
Setup Menu. . . . .	69
Reset Menu. . . . .	73
Quick Print Job Menu. . . . .	74
Confidential Job Menu. . . . .	74
Clock Menu. . . . .	74
Parallel Menu. . . . .	75
USB Menu. . . . .	76
Network Menu. . . . .	77
AUX Menu. . . . .	77
PCL Menu. . . . .	77
PS3 Menu. . . . .	79
ESCP2 Menu. . . . .	80
FX Menu. . . . .	83
I239X Menu. . . . .	85
Password Config Menu. . . . .	87
Energy Saver Menu. . . . .	87
Support Menu. . . . .	89
Bookmark Menu. . . . .	89
Status and Error Messages. . . . .	90
Printing and Deleting Reserve Job Data. . . . .	105
Using the Quick Print Job Menu. . . . .	105
Using the Confidential Job Menu. . . . .	106
Printing a Configuration Status Sheet. . . . .	106
Canceling Printing. . . . .	107
Using the Pause/Release button. . . . .	107
Using the Reset menu. . . . .	108
Interrupting Printing. . . . .	108

---

#### **Chapter 4 Using Optional Stapler/Stacker Unit**

Installing/Removing Stapler/Stacker Unit. . . . .	110
Installing the stapler/stacker unit. . . . .	110
Removing the stapler/stacker unit. . . . .	120
Printing with Stapler/Stacker Unit. . . . .	121

Stapling function. . . . .	121
Offset function. . . . .	121
Problems Using Stapler/Stacker Unit. . . . .	122
Cannot staple. . . . .	122
Staple Jam. . . . .	122
Cannot eject paper from the stacker unit correctly. . . . .	124

## **Chapter 5 *Installing Options***

---

Optional Paper Cassette Unit. . . . .	126
Handling precautions. . . . .	126
Installing the optional paper cassette unit. . . . .	127
Removing the optional paper cassette unit. . . . .	136
Memory Module. . . . .	136
Installing a memory module. . . . .	136
Removing a memory module. . . . .	140
Interface Card. . . . .	140
Installing an interface card. . . . .	140
Removing an interface card. . . . .	142
CompactFlash Memory. . . . .	142
Installing a CompactFlash memory. . . . .	142
Removing a CompactFlash memory. . . . .	144

## **Chapter 6 *Replacing Consumable Products/Maintenance Parts***

---

Precautions During Replacement. . . . .	146
Replacement Messages. . . . .	146

## **Chapter 7 *Cleaning and Transporting the Printer***

---

Cleaning the Printer. . . . .	148
Cleaning the pickup roller. . . . .	148
Cleaning the exposure window. . . . .	150
Transporting the Printer. . . . .	152
For long distances. . . . .	152
For short distances. . . . .	153



## Chapter 8 **Troubleshooting**

---

Clearing Jammed Paper. . . . .	155
Precautions for clearing jammed paper. . . . .	155
Paper Jam M (Cover M). . . . .	156
Paper Jam L (Cover L). . . . .	158
Paper Jam MP (MP tray). . . . .	159
Paper Jam B (Cover B). . . . .	161
Paper Jam E5, Paper Jam E4, Paper Jam E3, Paper Jam E2 (Cover E). . . . .	164
Paper Jam C5, Paper Jam C4, Paper Jam C3, Paper Jam C2, Paper Jam C1, (All paper cassette) . . . . .	165
Printing a Configuration Status Sheet. . . . .	166
Operational Problems. . . . .	167
The Ready light does not turn on. . . . .	167
The printer does not print (Ready light off). . . . .	167
The Ready light is on but nothing prints. . . . .	167
The remaining service life of the consumables is not updated (Windows only). . . . .	168
Cannot install software or drivers. . . . .	168
Cannot access the shared printer. . . . .	168
Printout Problems. . . . .	169
The font cannot be printed. . . . .	169
Printout is garbled. . . . .	169
The printout position is not correct. . . . .	170
Graphics do not print correctly. . . . .	170
Color Printing Problems. . . . .	171
Cannot print in color. . . . .	171
The printout color differs when printed from different printers. . . . .	171
The color looks different from what you see on the computer screen. . . . .	171
Print Quality Problems. . . . .	172
The background is dark or dirty. . . . .	172
White dots appear in the printout. . . . .	172
Vertical lines appear on the printout. . . . .	172
Print quality or tone is uneven. . . . .	172
Half-tone images print unevenly. . . . .	173
Toner smudges. . . . .	173
Areas are missing in the printed image. . . . .	174
Completely blank pages are output. . . . .	174
The printed image is light or faint. . . . .	175
The non-printed side of the page is dirty. . . . .	175
Print quality decreased. . . . .	176

Memory Problems. . . . .	176
Insufficient memory for current task. . . . .	176
Insufficient memory to print all copies. . . . .	176
Paper Handling Problems. . . . .	177
Paper does not feed properly. . . . .	177
Problems Using Options. . . . .	177
The message Invalid AUX I/F Card appears on the LCD panel. . . . .	177
Paper does not feed from the optional paper cassette. . . . .	178
An installed option cannot be used. . . . .	178
The optional product is not available. . . . .	178
Problems Using Optional Staple/Stacker Unit. . . . .	178
Correcting USB Problems. . . . .	179
USB connections. . . . .	179
Windows operating system. . . . .	179
Printer software installation. . . . .	179
Status and Error Messages. . . . .	180
Canceling Printing. . . . .	180
Printing in the PostScript 3 Mode Problems. . . . .	180
The printer does not print correctly in the PostScript mode. . . . .	180
The printer does not print. . . . .	181
The printer or its driver does not appear in utilities in the printer configuration (Mac OS only)	
. . . . .	181
The font on the printout is different from that on the screen. . . . .	181
The printer fonts cannot be installed. . . . .	182
The edges of texts and/or images are not smooth. . . . .	182
The printer does not print normally via the USB interface. . . . .	182
The printer does not print normally via the network interface. . . . .	182
An undefined error occurs (Mac OS only). . . . .	183

## **Chapter 9 About the Printer Software**

---

Using the Printer Software for Windows. . . . .	184
Using the printer driver. . . . .	184
Using EPSON Status Monitor. . . . .	186
Uninstalling the printer software. . . . .	193
Using the PostScript Printer Driver. . . . .	194
Computer system requirements. . . . .	194
Using the PostScript printer driver with Windows. . . . .	194
Using the PostScript printer driver with Mac OS. . . . .	197

Using the PCL6 Printer Driver. . . . .	200
--	-----

## **Appendix A Technical Specifications**

---

Paper. . . . .	201
Available paper types. . . . .	201
Paper that should not be used. . . . .	201
Printable area. . . . .	202
Printer. . . . .	203
General. . . . .	203
Environmental. . . . .	204
Mechanical. . . . .	205
Electrical. . . . .	205
Standard and approvals. . . . .	205
Interfaces. . . . .	206
USB interface. . . . .	206
Ethernet interface. . . . .	206
Options. . . . .	206
550-Sheet Paper Cassette Unit. . . . .	206
1100-Sheet Paper Cassette Unit. . . . .	207
Memory modules. . . . .	208
Parallel Interface Card. . . . .	208
CompactFlash memory. . . . .	208
1000-Sheet Stapler/Stacker Unit. . . . .	208
Consumable Products. . . . .	210
Toner Cartridge. . . . .	210
Photoconductor Unit. . . . .	211
Waste Toner Collector. . . . .	211
Staple Cartridge. . . . .	211
Maintenance Parts. . . . .	211
Fuser Unit. . . . .	211
Transfer Unit. . . . .	212

## **Appendix B Where To Get Help**

---

Contacting Epson Support. . . . .	213
Before Contacting Epson. . . . .	213
Help for Users in Europe. . . . .	213

Help for Users in Taiwan. . . . .	213
Help for Users in Singapore. . . . .	215
Help for Users in Thailand. . . . .	215
Help for Users in Vietnam. . . . .	216
Help for Users in Indonesia. . . . .	216
Help for Users in Hong Kong. . . . .	218
Help for Users in Malaysia. . . . .	218
Help for Users in India. . . . .	219
Help for Users in the Philippines. . . . .	220

---

***Index***


---


---


## Safety Instructions

---

### Warning, Caution, Important, and Note

 **Warning**  
*must be followed to avoid serious bodily injury.*

 **Caution**  
*must be followed carefully to avoid bodily injury.*

 **Important**  
*must be observed to avoid damage to your equipment.*

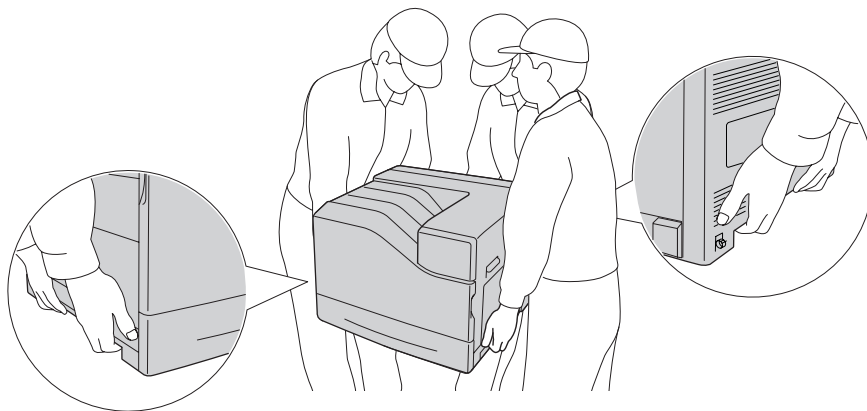
**Note**  
*contains important information and useful tips on the operation of your printer.*

---

### Important Safety Instructions

#### Setting up the printer

- Because the printer weighs approximately 42.2 kg (93 lb) with consumable products installed, three people should carry the printer, lifting it by the correct positions as shown below.



- When moving the printer, always keep it horizontal.

- If you are unable to insert the AC plug into the electrical outlet, contact an electrician.
- Be sure the AC power cord meets the relevant local safety standards. Use only the power cord that comes with this printer. Use of the another cord may result in fire or electric shock. This printer's power cord is for use with this printer only. Use with other equipment may result in fire or electric shock.
- If damage occurs to the plug, replace the cord set or consult a qualified electrician. If there are fuses in the plug, make sure you replace them with fuses of the correct size and rating.
- Use a grounded outlet that matches the printer's power plug. Do not use an adapter plug.
- Avoid using an electrical outlet that is controlled by wall switches or automatic timers. Accidental disruption of power can erase valuable information in your computer's and printer's memory.
- Make sure that there is no dust on the socket.
- Be sure to insert the plug completely into the electrical outlet.
- Do not handle the plug with wet hands.
- Unplug this printer from the wall outlet and refer servicing to a qualified service representative under the following conditions:

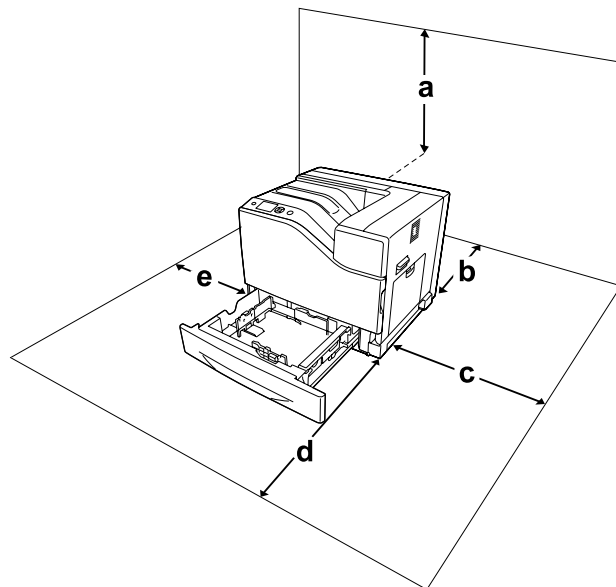
A	When the power cord or plug is damaged or frayed.
B	If liquid has been spilled into it.
C	If it has been exposed to rain or water.
D	If it does not operate normally when the operating instructions are followed. Adjust only those controls that are covered by the operating instructions since improper adjustment of other controls may result in damage and will often require extensive work by a qualified technician to restore the printer to normal operation.
E	If it has been dropped or the cabinet has been damaged.
F	If it exhibits a distinct change in performance, indicating a need for service.

- Avoid sharing outlets with other appliances.
- Connect all equipment to properly grounded power outlets. Avoid using outlets on the same circuit as photocopiers or air control systems that regularly switch on and off.
- Connect your printer to an electrical outlet that meets the power requirements of this printer. Your printer's power requirements are indicated on a label attached to the printer. If you are not sure of the power supply specifications in your area, contact your local power company or consult your dealer.

- ❑ If you use an extension cord, make sure that the total of the ampere ratings on the products plugged into the extension cord does not exceed the extension cord ampere rating.
- ❑ When connecting this printer to a computer or other device with a cable, ensure the correct orientation of the connectors. Each connector has only one correct orientation. Inserting a connector in the wrong orientation may damage both devices connected by the cable.
- ❑ Use only optional products, such as the paper cassette units and the printer stand, produced specifically for this product. Using options produced for other products may cause the product to fall over and injure someone.
- ❑ When lifting the printer onto the optional 1100-Sheet Paper Cassette Unit, be sure to lock the casters.

### ***Finding the place for the printer***

When relocating the printer, always choose a location that has adequate space for easy operation and maintenance. Use the following illustration as a guide for the amount of space required around the printer to ensure smooth operation.



a	30 cm
b	10 cm
c	40 cm

d	50 cm
e	13 cm

To install and use any of the following options, you will need the indicated amount of additional space.

550-Sheet Paper Cassette Unit adds 13.4 cm (5.3 in.) to the bottom of the printer.

1100-Sheet Paper Cassette Unit adds 35.1 cm (13.8 in.) to the bottom of the printer.

1000-Sheet Stapler/Stacker Unit adds 47.8 cm (18.8 in.) to the left of the printer.

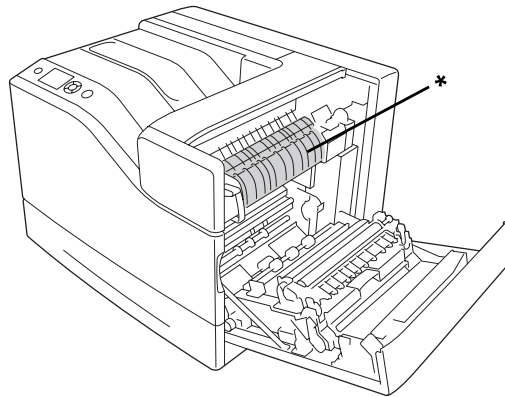
In addition to space considerations, always heed the following precautions when finding a place to locate the printer:

- Place the printer near an electrical outlet where you can easily plug in and unplug the power cord.
- Do not put your printer where the cord will be stepped on.
- Do not use printer in a damp environment.
- Avoid locations that are subject to direct sunlight, excessive heat, moisture, oil vapor, or dust.
- Do not place the printer on an unstable surface.
- Slots and openings in the cabinet and the back or bottom are provided for ventilation. Do not block or cover them. Do not put the printer on a bed, sofa, rug, or other similar surface or in a built-in installation unless proper ventilation is provided.
- Keep the entire computer and printer system away from potential sources of interference, such as loudspeakers or the base units of cordless telephones.
- Leave adequate room around the printer to allow for sufficient ventilation.



## Using the printer

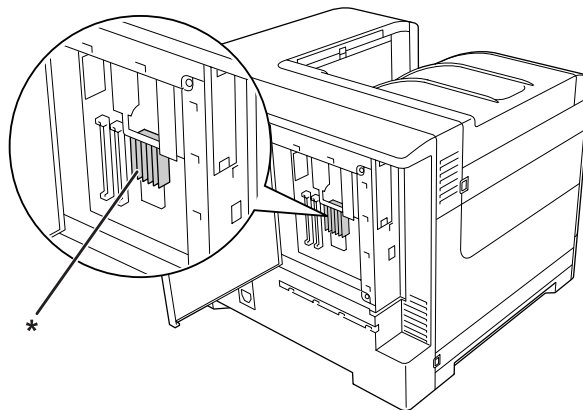
- ❑ Be careful not to touch the fuser, which is marked  $\triangle$  (**CAUTION**), or the surrounding areas. If the printer has been in use, the fuser and the surrounding areas may be very hot. If you must touch one of these areas, turn off the printer and wait 30 minutes to allow the heat to subside before doing so.



\* $\triangle$  (**CAUTION**)

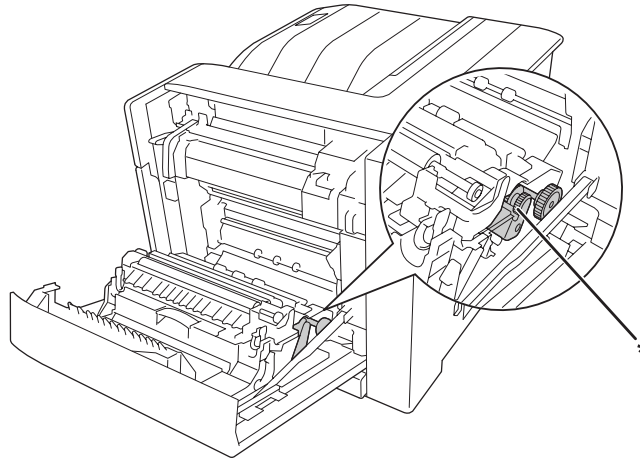
- ❑ Be careful not to touch the parts, which are marked  $\triangle$  (**CAUTION**) as shown in the illustration below. If the printer has been in use, those parts may be very hot.

### Heatsink



\* $\triangle$  (**CAUTION**)

## Clutch



### \*⚠ (CAUTION)

- Do not insert your hand deep into the fuser unit as some components are sharp and may cause injury.
- Never push objects of any kind through cabinet slots as they may touch dangerous voltage points or short out parts that could result in a risk of fire or electric shock.
- When optional paper cassettes are installed, do not open two or more paper cassettes at the same time. The open cassettes unbalance the printer, and if any pressure is placed on the back of it, it may fall over and hurt someone.
- Do not sit or lean on the printer. Do not put heavy objects on the printer.
- Do not use aerosol products containing any kind of combustible gases, such as air duster, in or around the printer.
- Never force the printer's components into place. Although the printer is designed to be sturdy, rough handling can damage it.
- Do not leave jammed paper inside the printer. This can cause the printer to overheat.
- Never spill liquid of any kind on the printer.
- Adjust only those controls that are covered by the operating instructions. Improper adjustment of other controls may result in damage and may require repair by a qualified service representative.

- Do not turn off the printer:
  - After turning on the printer, wait until **Ready** appears on the LCD panel.
  - While Ready light is flashing.
  - While the Data light is on or flashing.
  - While printing.
- Avoid touching the components inside the printer unless instructed to do so in this guide.
- Follow all warnings and instructions marked on the printer.
- Except as specifically explained in the printer's documentation, do not attempt to service this printer yourself.
- Periodically disconnect the plug from the electrical outlet and clean the blades.
- Do not disconnect the plug while the printer is on.
- If the printer will not be used for a long time, disconnect the plug from the electrical outlet.
- Unplug this printer from the wall outlet before cleaning.
- Use a well-wrung cloth for cleaning and do not use liquid or aerosol cleaners.

### ***Handling consumable products and maintenance parts***

- Do not burn used consumable products or maintenance parts because they might explode and injure someone. Dispose of them according to local regulations.
- Be sure to keep consumable products and maintenance parts out of the reach of children.
- When handling a toner cartridge, always place it on a clean, smooth surface.
- Do not attempt to modify or take apart consumable products or maintenance parts.
- Do not touch the toner. Always keep toner away from your eyes. If toner gets on your skin or clothes, wash it off with soap and water immediately.
- If toner is spilled, use a broom and dustpan or a damp cloth with soap and water to clean it up. Because the fine particles can cause a fire or explosion if they come into contact with a spark, do not use a vacuum cleaner.
- Wait at least one hour before using a toner cartridge after moving it from a cool to a warm environment to prevent damage from condensation.

- ❑ To get the best print quality, do not store the toner cartridge or photoconductor unit in an area subject to direct sunlight, dust, salty air, or corrosive gases (such as ammonia). Avoid locations subject to extreme or rapid changes in temperature or humidity.
- ❑ When removing the photoconductor unit, do not expose it to sunlight at all and avoid exposing it to room light for more than three minutes. The photoconductor unit contains a light-sensitive drum. Exposure to light can damage the drum, causing dark or light areas to appear on the printed page and reducing the service life of the drum. If you need to keep the photoconductor unit out of the printer for long periods, cover it with an opaque cloth.
- ❑ Be careful not to scratch the surface of the drum. When you remove the photoconductor unit from the printer, always place it on a clean, smooth surface. Avoid touching the drum, since oil from your skin can permanently damage its surface and affect print quality.
- ❑ Do not let the paper's edge slide across your skin because the edge of the paper may cut you.

---

## Safety Information

### Laser safety labels



#### Warning:

*The performance of procedures and adjustments other than those specified in the printer's documentation may result in hazardous radiation exposure. Your printer is a Class 1 laser product as defined in the IEC60825 specifications. A label similar to the one shown below is attached to the back of printers in countries where required.*



### Internal laser radiation

There is a Class III b Laser Diode Assembly that has an invisible laser beam inside the printer head unit. The printer head unit is NOT A SERVICE ITEM, therefore, the printer head unit should not be opened under any circumstances. An additional laser warning label is affixed to the inside of the printer.

## **Ozone safety**

### **Ozone emission**

Ozone gas is generated by laser printers as a by-product of the printing process. Ozone is produced only when the printer is printing.

### **Ozone exposure limit**

The Epson laser printer generates less than 3 mg/h of continuous printing.

### **Minimize the risk**

To minimize the risk of exposure to ozone, you should avoid the following conditions:

- Use of multiple laser printers in a confined area
- Operation in conditions of extremely low humidity
- Poor room ventilation
- Long, continuous printing together with any of the above

### **Printer location**

The printer should be located so that the exhaust gases and heat generated are:

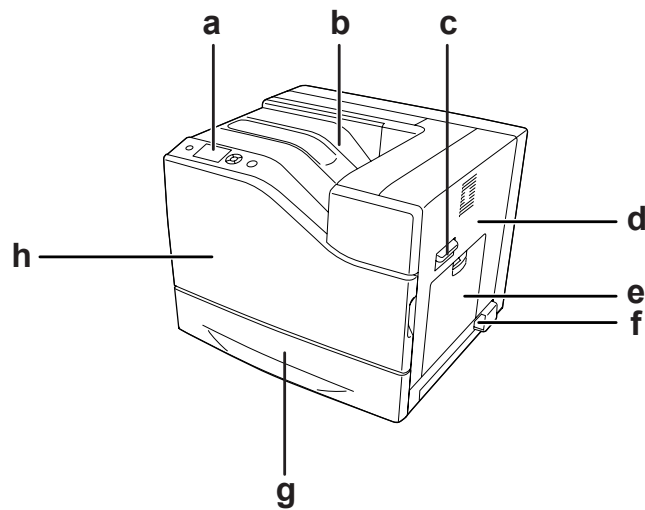
- Not blown directly into the user's face
- Vented directly out of the building whenever possible

## Chapter 1

# Getting to Know Your Printer

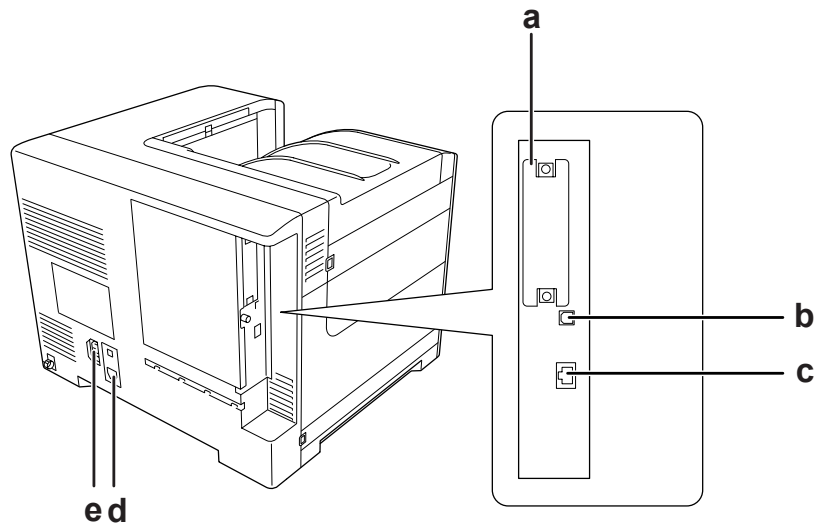
## Printer Parts

### Front view



a.	control panel	b.	output tray
c.	lever B	d.	cover B
e.	MP tray	f.	power switch
g.	standard lower paper cassette	h.	cover A

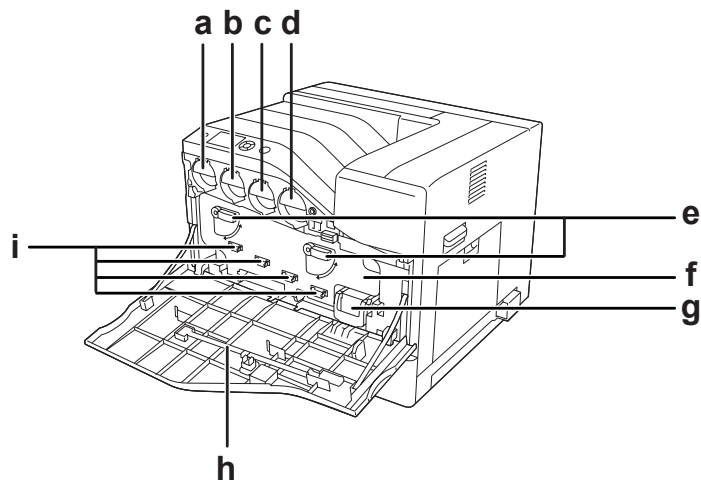
## Rear view



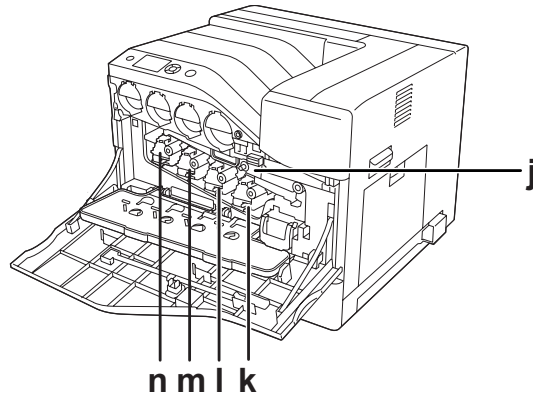
a.	Type-B interface card slot cover	b.	USB interface connector
c.	Ethernet interface connector	d.	AC inlet
e.	power supply socket for 1000-Sheet Stapler/Stacker Unit		

## Inside the printer

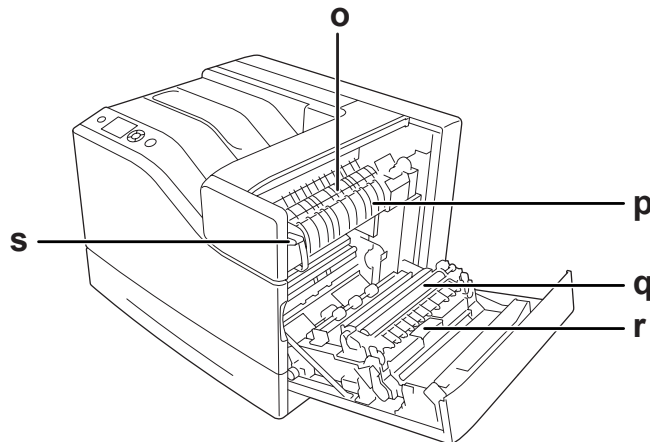
cover A is opened



cover A and cover H are opened



cover B is opened

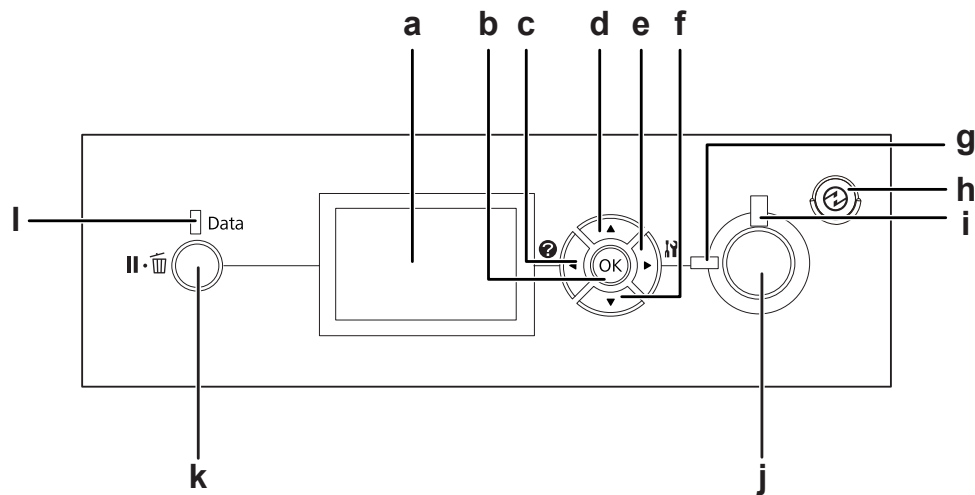


a.	toner cartridge (Yellow)	b.	toner cartridge (Magenta)
c.	toner cartridge (Cyan)	d.	toner cartridge (Black)
e.	lever G	f.	cover H
g.	waste toner collector	h.	cleaning rod
i.	exposure window	j.	transfer belt
k.	photoconductor unit (Black)	l.	photoconductor unit (Cyan)
m.	photoconductor unit (Magenta)	n.	photoconductor unit (Yellow)
o.	cover F	p.	fuser unit



q.	transfer roll unit	r.	cover D
s.	lever J		

## Control panel



a.	LCD panel	Displays printer status messages and control panel menu settings.
b.	<b>OK</b> button	Use these buttons to access the control panel menus, where you can make printer settings and check the status of consumable products. For instructions on how to use these buttons, see "Using the Control Panel Menus" on page 60.
c.	<b>Left</b> button	
d.	<b>Up</b> button	
e.	<b>Right</b> button	
f.	<b>Down</b> button	
g.	<b>Ready</b> light (Green)	On when the printer is ready, indicating that the printer is ready to receive and print data. Off when the printer is not ready.
h.	<b>Wake Up/Sleep</b> button (Green)	Press to switch the status between available for printing and saving power. This button lights up when the printer is in the sleep mode (the deep sleep mode). Press this button to recover from the sleep mode (the deep sleep mode).  For more details about energy saving menus, see "Energy Saver Menu" on page 87.
i.	<b>Error</b> light (Orange)	On or flashes when an error has occurred.
j.	<b>Start/Stop</b> button	When the printer is printing, pressing this button stops the printing. When the error light is flashing, pressing this button clears the error and switches the printer to ready status.

k.	<b>Pause/Cancel</b> button	Press once to pause. Press again to recover from pause. While paused, the following operations are available on the control panel. - Canceling the current print job or stored print jobs. - Interrupting print jobs to print a stored print job.  For instructions on these operations, see "Canceling Printing" on page 107 and "Interrupting Printing" on page 108.
l.	<b>Data</b> light (Green)	On when print data is stored in the print buffer (the section of printer memory reserved for receiving data) but not yet printed. Flashes when the printer is processing data. Off when no data remains in the print buffer.

## Options

You can add to your printer's capabilities by installing any of the following options.

- 550-Sheet Paper Cassette Unit (C12C802721)  
This unit increases paper feeding capacity up to 550 sheets of paper. You can install up to two units.
- 1100-Sheet Paper Cassette Unit (C12C802731)  
This unit increases paper feeding capacity up to 1100 sheets of paper. You can install only one unit on your printer.
- 1000-Sheet Stapler/Stacker Unit (C12C802741)  
This unit increases paper output capacity to a maximum of 1000 sheets of paper. You can also staple each set of copies using this unit.
- CompactFlash Memory  
This option enables you to store overlay forms, use Reserve Job function, and improve the collate printing environment. By using the Reserve Job function, you can store print jobs in the printer's CompactFlash memory and print them later directly from the printer's control panel. By using the collate printing function, you can print larger and more complex print jobs.

**Note:**

*The CompactFlash memory must be at least 4 GB.*

- Memory Module  
This option expands the printer's memory by allowing you to print complex and graphics-intensive documents. The printer's RAM can be increased up to 1024 MB by adding an additional 512 MB RAM DIMM.

**Note:**

Make sure that the DIMM you purchase is compatible with Epson products. For details, contact the store where you purchased this printer or an Epson qualified service representative.

Parallel Interface Card (C12C824521)

This option enables parallel interface connection. Insert the parallel interface card to the Type-B interface card slot.

---

## Consumable Products

The life of the following consumable products is monitored by the printer. The printer lets you know when replacements are needed.

Product name	Product code
Standard Capacity Toner Cartridge (Yellow)	0660
Standard Capacity Toner Cartridge (Magenta)	0661
Standard Capacity Toner Cartridge (Cyan)	0662
Standard Capacity Toner Cartridge (Black)	0663
High Capacity Toner Cartridge (Yellow)	0656
High Capacity Toner Cartridge (Magenta)	0657
High Capacity Toner Cartridge (Cyan)	0658
High Capacity Toner Cartridge (Black)	0659
Photoconductor Unit (Yellow)	1224
Photoconductor Unit (Magenta)	1225
Photoconductor Unit (Cyan)	1226
Photoconductor Unit (Black)	1227
Waste Toner Collector	0664
Staple Cartridge	4002

The life of the following consumable products is monitored by the printer. The printer lets you know when replacements are needed.

---

## Maintenance Parts

Product name	Product code
Fuser Unit	3046/3047
Transfer Unit	3048

**Note:**

*Fuser unit part numbers vary by location.*

---

## Where to Find Information

**Setup Guide**

Provides you with information on assembling the printer and installing the printer software.

**User's Guide (this manual)**

Provides you with detailed information on the printer's functions, optional products, maintenance, troubleshooting, and technical specifications.

**Network Guide**

Provides network administrators with information on both the printer driver and network settings.

**Font Guide**

Provides you with information on fonts used on the printer.

**Online Help for printer software**

Click **Help** for detailed information and instructions on the printer software that controls your printer. Online help is automatically installed when you install the printer software.

---

## **Printer Features**

### ***Power saving performance***

The printer has an advanced power saving feature that helps you reduce electricity consumption. In the power off mode, the printer consumes about 0.3 W by disabling almost all operations. For a detailed explanation, see “Energy Saver Menu” on page 87.

### ***Print Job Arranger***

This function allows printing settings for several documents created by different applications at the same time. You can arrange the order in which jobs are printed and change the layout of the data.

### ***Stapling/Offset function***

This printer allows you to staple each set of copies using the optional 1000-Sheet Stapler/Stacker Unit. Also, the printer can offset the position of printouts from side to side so that you can identify one set of copy from another.

### ***Large paper output capacity***

Paper input capacity can be increased from 700 sheets (MP tray: 150 sheets and standard lower paper cassette: 550 sheets) up to 2900 sheets by adding two 550-Sheet Paper Cassette Units and a 1100-Sheet Paper Cassette Unit. You can also increase paper output capacity by installing a 1000-Sheet Stapler/Stacker Unit.

## Chapter 2

# Printing Tasks

## Loading Paper into Your Printer

This section describes how to load paper. If you use special media such as envelopes, see also “Selecting and Using Print Media” on page 34. For specifications or details about the paper types and sizes, see “Paper” on page 201.

**Important:**

*Do not let the paper's edge slide across your skin because the edge of the paper may cut you.*

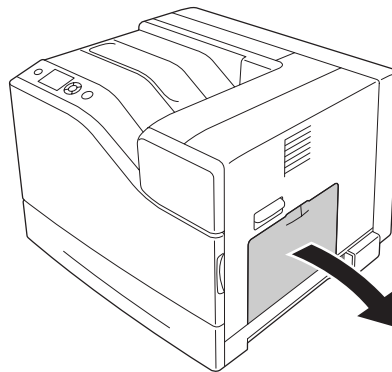
### MP tray

The MP tray (Multi-purpose tray) is the paper source that is available for various types of paper, such as labels, envelopes, thick paper, and coated paper.

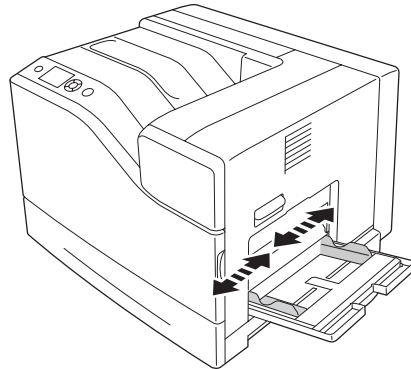
**Note:**

*To load envelopes, see “Envelopes” on page 36.*

1. Open the MP tray.

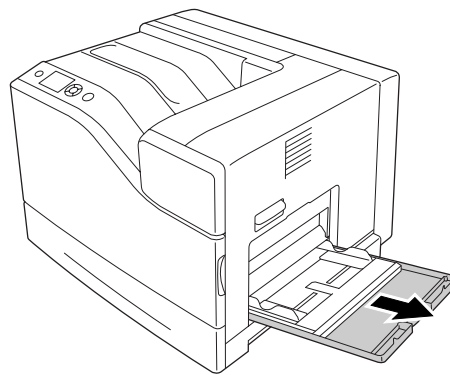


- Slide the paper guides outward.

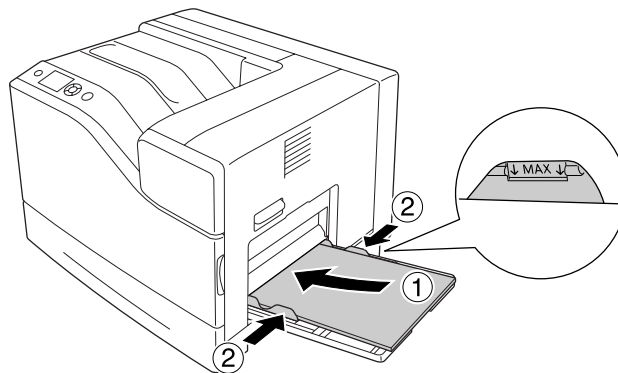


**Note:**

When the loading paper size is bigger than A4, open the extension tray on the MP tray to accommodate the paper.



- Load a stack of the desired paper with the printable surface facing down. Then slide the paper guides to get a snug fit.



**Note:**

- ❑ *Make sure that you do not load paper beyond the limit mark.*
- ❑ *After loading paper, set the MF Tray Size and MF Type settings to match the loaded paper size on the control panel. For details, see “Tray Menu” on page 65.*

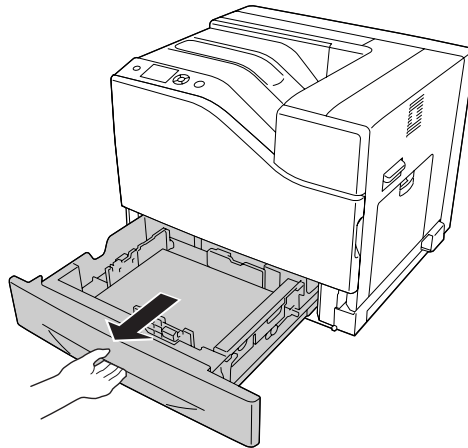
**Lower paper cassette**

This cassette gives you a second paper source in addition to the MP tray.

**Note:**

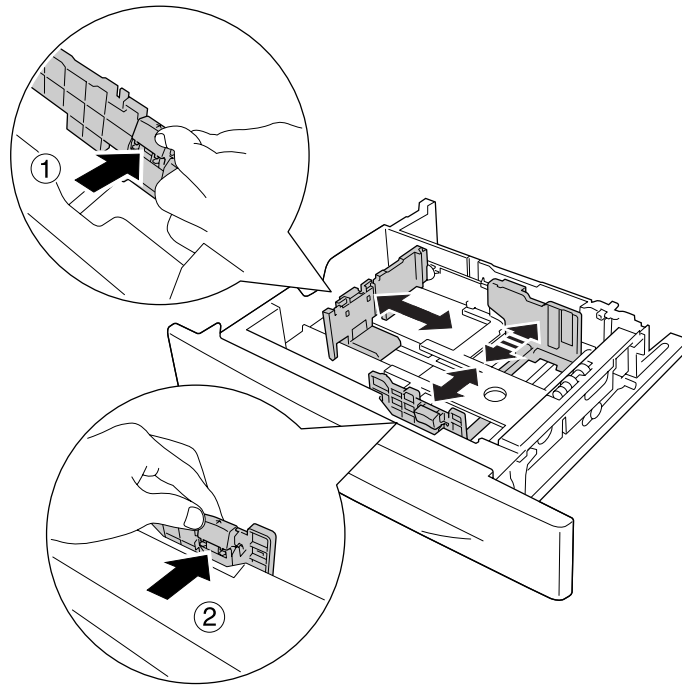
*The instructions below describe loading paper in paper cassette 1 as an example.*

1. Pull out the paper cassette.

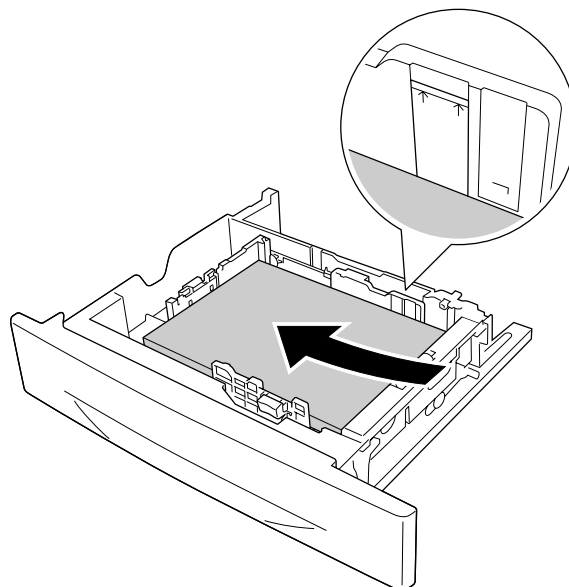




2. Pinch the knobs and slide the paper guides to accommodate the paper you are loading.

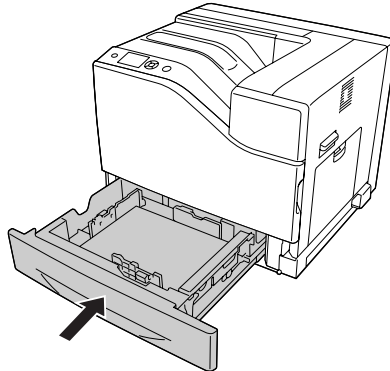


3. Load a stack of the desired paper with the printable surface facing up.



**Note:**  
*Make sure that you do not load paper beyond the limit mark.*

4. Reinsert the paper cassette into the printer.

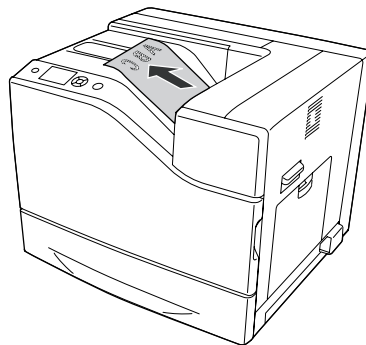


**Note:**

After loading paper, set the `Cassette1 Size` and `Cassette1 Type` settings to match the loaded paper size and paper type on the control panel. For details, see “Tray Menu” on page 65.

## Output tray

The output tray is located on the top of the printer. Since printouts are output face-down, this tray is also referred to as the face-down tray. Up to 500 sheets can be stacked when using the A4-size plain paper.



---

## Selecting and Using Print Media

You can use special media, such as labels, envelopes, thick paper, and coated paper.

When loading special media, you should make paper settings. You can also make these settings on the `Tray Menu` in the control panel. See “Tray Menu” on page 65.

**Note:**

Since the quality of any particular brand or type of media may be changed by the manufacturer at any time, Epson cannot guarantee the quality of any type of media. Always test samples of media stock before purchasing large quantities or printing large jobs.

**Labels****Available labels**

- Labels designed for laser printers or plain-paper copiers
- Labels that completely cover the backing sheet, with no gaps between the individual labels

**Available paper source**

- MP tray
- Standard lower paper cassette

**Printer driver settings****MP tray**

	Printer driver settings
Paper Size	A4, A5, A6, B5, LT, HLT, LGL, GLT, GLG, EXE, F4
Paper Source	MP Tray
Paper Type	Labels

**Standard lower paper cassette**

	Printer driver settings
Paper Size	A4, A5, B5, LT, LGL, GLG, EXE
Paper Source	Cassette 1
Paper Type	Labels

**Note:**

- Depending on the quality of labels, the printing environment, or the printing procedure, labels might be wrinkled. Make a trial print run before you print on a lot of labels.
- Duplex printing is not available for labels.

- ❑ Press a sheet of paper on top of each sheet of labels. If the paper sticks, do not use those labels in your printer.

## Envelopes

### Available envelopes

- ❑ Envelopes that have no glue or no tape

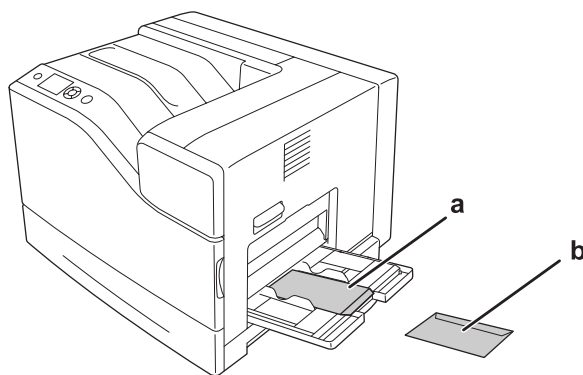


**Important:**

*Do not use window envelopes. The plastic on most window envelopes will melt.*

### Available paper source

- ❑ MP tray



a. C5, IB5

b. MON, C10, DL, C6

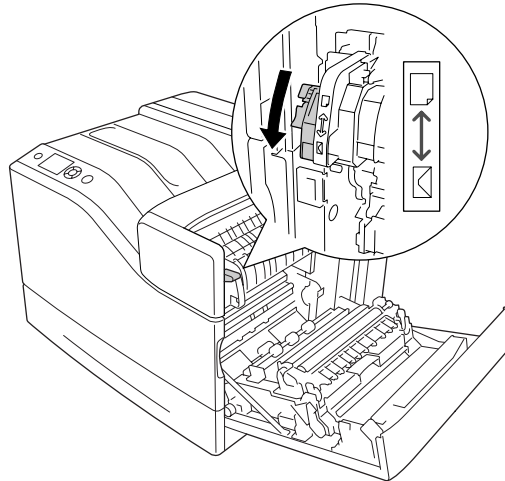
## Printer driver settings

### MP tray

	Printer driver settings
Paper Size	MON, C10, DL, C5, C6, IB5
Paper Source	MP Tray
Paper Type	Envelope

**Note:**

- Depending on the quality of envelopes, the printing environment, or the printing procedure, envelopes might be wrinkled. Make a trial print run before you print on a lot of envelopes.
- Duplex printing is not available for envelopes.
- The resolution is reduced to 600 dpi when printing on envelopes.
- When printing on envelopes, open cover B, and then push down lever J until it stops. It may reduce the wrinkles in the envelopes. When using paper other than envelopes, be sure to push the levers back up.

**Thick paper****Available paper source**

- MP tray
- Lower paper cassettes

**Printer driver settings****MP tray**

	<b>Printer driver settings</b>
Paper Size	A4, A5, A6, B5, LT, HLT, LGL, GLT, GLG, EXE, F4
Paper Source	MP Tray
Paper Type	Thick (for 106 to 163 g/m <sup>2</sup> paper), Extra Thick (for 164 to 216 g/m <sup>2</sup> paper)

**Lower paper cassettes**

	<b>Printer driver settings</b>
Paper Size	A4, A5, B5, LT, LGL, GLG, EXE, F4
Paper Source	Cassette 1, Cassette 2*, Cassette 3*, Cassette 4*, Cassette 5*
Paper Type	Thick (for 106 to 163 g/m <sup>2</sup> paper), Extra Thick (for 164 to 216 g/m <sup>2</sup> paper)

\* Available only when the optional paper cassette unit is installed.

**Note:**

*Duplex printing is not available for Extra Thick.*

**Semi-thick paper****Available paper source**

- MP tray
- Lower paper cassettes

**Printer driver settings****MP tray**

	<b>Printer driver settings</b>
Paper Size	A4, A5, A6, B5, LT, HLT, LGL, GLT, GLG, EXE, F4
Paper Source	MP Tray
Paper Type	Semi-Thick

**Lower paper cassettes**

	<b>Printer driver settings</b>
Paper Size	A4, A5, B5, LT, LGL, GLG, EXE
Paper Source	Cassette 1, Cassette 2*, Cassette 3*, Cassette 4*, Cassette 5*
Paper Type	Semi-Thick

\* Available only when the optional paper cassette unit is installed.

## Coated paper

### Available paper source

- MP tray
- Standard lower paper cassette

### Printer driver settings

#### MP tray

	Printer driver settings
Paper Size	A4, A5, A6, B5, LT, HLT, LGL, GLT, GLG, EXE, F4
Paper Source	MP Tray
Paper Type	Coated

#### Standard lower paper cassette

	Printer driver settings
Paper Size	A4, A5, B5, LT, LGL, GLG, EXE
Paper Source	Cassette 1
Paper Type	Coated

**Note:**

*Because coated paper is coated with the special materials, load it one sheet at a time.*

## Custom paper size

### Available paper source

- MP tray
- Lower paper cassettes

## Printer driver settings

### MP tray

	Printer driver settings
Paper Size	User Defined Size*
Paper Source	MP Tray
Paper Type	Plain, Semi-Thick, Preprinted, Recycled, Color, Labels, Thick, Extra Thick, Coated, Envelope, Special

\* 76.2 × 127 mm at minimum and 215.9 × 355.6 mm at maximum.

### Lower paper cassettes

	Printer driver settings
Paper Size	User Defined Size* <sup>1</sup>
Paper Source	Cassette 1, Cassette 2* <sup>2</sup> , Cassette 3* <sup>2</sup> , Cassette 4* <sup>2</sup> , Cassette 5* <sup>2</sup>
Paper Type	Plain, Semi-Thick, Preprinted, Recycled, Color, Labels* <sup>3</sup> , Thick, Extra Thick, Coated

\*<sup>1</sup> 98.4 × 190.5 mm to 215.9 × 355.6 mm.

\*<sup>2</sup> Available only when the optional paper cassette unit is installed.

\*<sup>3</sup> Available only when Cassette 1 is selected as Paper Source.

### Note:

- Depending on the quality of the non-standard size paper, the printing environment, or the printing procedure, the paper might skew. Make a trial print run before you print on a lot of non-standard size paper.
- Duplex printing is not available for Extra Thick.
- For Windows, access the printer driver, then select **User Defined Size** from the Paper Size list on the Basic Settings tab. In the User defined Paper Size dialog box, adjust the Paper Width, Paper Length, and Unit settings to match your custom paper. Then click **OK** and your custom paper size will be saved.
- The saved paper sizes can only be used with the printer driver you saved them to. Even if multiple printer names are set for a printer driver, the settings can be available only for the printer name in which you saved the settings.
- When sharing the printer on a network, you cannot create User Defined Size at the client.
- If you cannot use the printer driver as explained above, make this setting at the printer by accessing the control panel's Printing Menu and selecting CTM (custom) as the Page Size setting.



## Canceling a Print Job

### From the printer

To cancel a print job on the printer's control panel, see "Canceling Printing" on page 107.

### From the computer

#### For Windows users

Double-click your printer's icon on the taskbar. Select the job in the list, then click **Cancel** from the Document menu.



## Setting the Print Quality

You can change the print quality of printouts through settings in the printer driver.

In the Automatic setting, you can select a print mode according to your printing purpose. The printer driver makes optimal settings depending on the print mode you have selected. In the Advanced setting, you have more setting options.

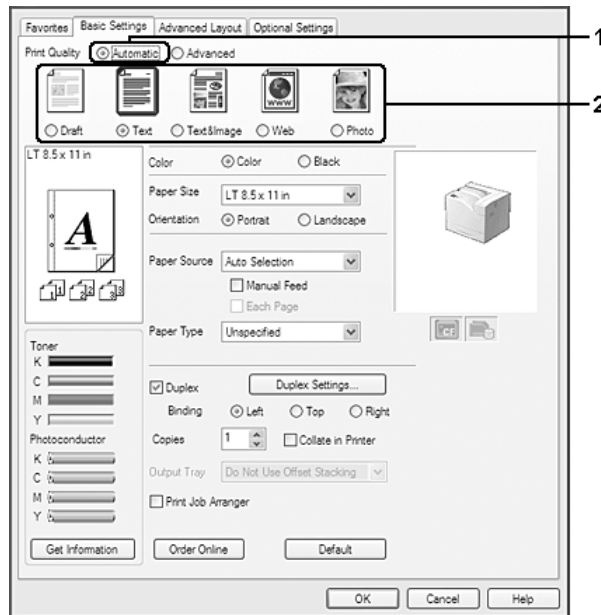
#### Note:

*The printer driver's online help provides details on printer driver settings.*

## Using the Automatic setting

For Windows users

1. Click the **Basic Settings** tab.
2. Click **Automatic**, then choose desired printing quality.



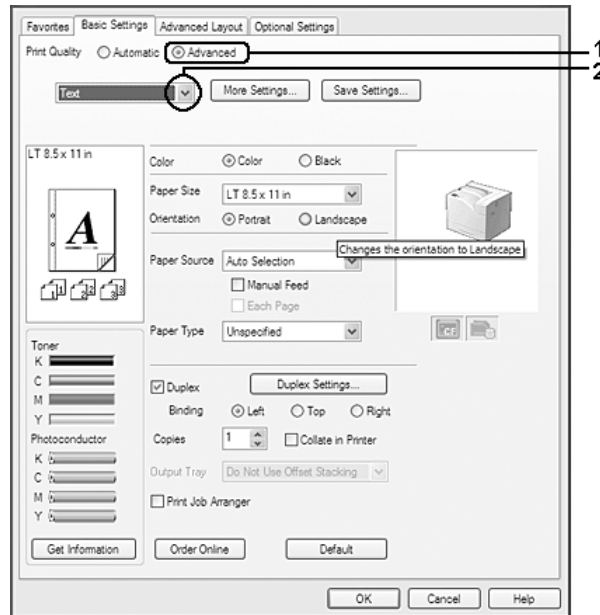
3. Click **OK**.

## Using the Advanced setting

For Windows users

1. Click the **Basic Settings** tab.

2. Select **Advanced**. Then select the most appropriate setting from the list according to the type of document or image you want to print.



When you choose a predefined setting, other settings such as Print Quality and Color Management are set automatically. Changes are shown in the current settings list on the Setting Information dialog box that appears by pressing the **Setting Info** button on the Optional Settings tab.

## Customizing print settings

If you need to change detailed settings, make the settings manually.

### For Windows users

1. Click the **Basic Settings** tab.
2. Select **Advanced**, then click **More Settings**.
3. Make appropriate settings. For details about each setting, see online help.
4. Click **OK**.

## Saving your settings

You can save your custom settings.

**Note:**

- ❑ You cannot use a predefined setting name for your custom settings.
- ❑ The saved custom settings can only be used with the printer driver you saved them to. Even if multiple printer names are set for a printer driver, the settings can be available only for the printer name in which you saved the settings.
- ❑ You cannot delete predefined settings.

**For Windows users****Note:**

When sharing the printer on a network, Save Settings is grayed out and you cannot create a custom setting at the client.

1. Click the **Basic Settings** tab.
2. Select **Advanced**, then click **Save Settings** to open the Custom Settings dialog box.
3. Type a name for your custom settings in the Name box, then click **Save**.

Your settings will appear in the drop-down list which appears when Advanced is selected on the Basic Settings tab.

**Note:**

To delete a custom setting, follow the step 1 and 2, select the setting in the Custom Settings dialog box, then click **Delete**.

You can create new settings in the More Settings dialog box. When you create new settings, Custom Settings is displayed in the list on the Basic Settings tab. In this case, the original setting is not overwritten. To save the new settings, save them under a new name.

## **Toner Save mode**

To reduce the amount of toner used in printing documents, you can print rough drafts using the Toner Save mode.

**For Windows users**

1. Click the **Basic Settings** tab.
2. Select **Advanced**, then click **More Settings** to open the More Settings dialog box.

3. Select the **Toner Save** check box, then click **OK**.

### ***Monochrome Model Compatibility mode***

When the following occurs while printing in black-and-white, use this function.

- The text and lines are too thin.
  - The print data size is too large.
1. Click the **Basic Settings** tab.
  2. Select **Advanced**, then click **More Settings** to open the More Settings dialog box.
  3. Select **Black** as Color, select the **Monochrome Model Compatibility** check box, and then click **OK**.

**Note:**

*When you use this mode, the amount of toner consumption increases.*

### ***Adjusting the weight of thin lines***

Thin lines can be printed in thicker lines as visible.

1. Click the **Basic Settings** tab.
2. Select **Advanced**, then click **More Settings** to open the More Settings dialog box.
3. Select the **Dot Correction** check box, then click **OK**.

The default setting for the Dot Correction is on.

---

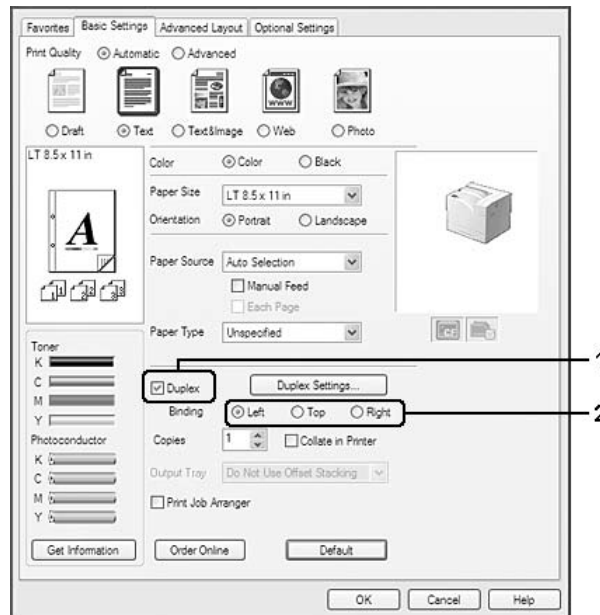
## ***Setting the Advanced Layout***

### ***Duplex printing***

This function allows you to print on both sides of the paper automatically.

### For Windows users

1. Click the **Basic Settings** tab.
2. Select the **Duplex** check box, then select **Left**, **Top**, or **Right** as the binding position.



3. If you want to make detailed settings, click **Duplex Settings** to open the Duplex Settings dialog box.
4. Make appropriate settings. For details about each setting, see online help.
5. Click **OK**.

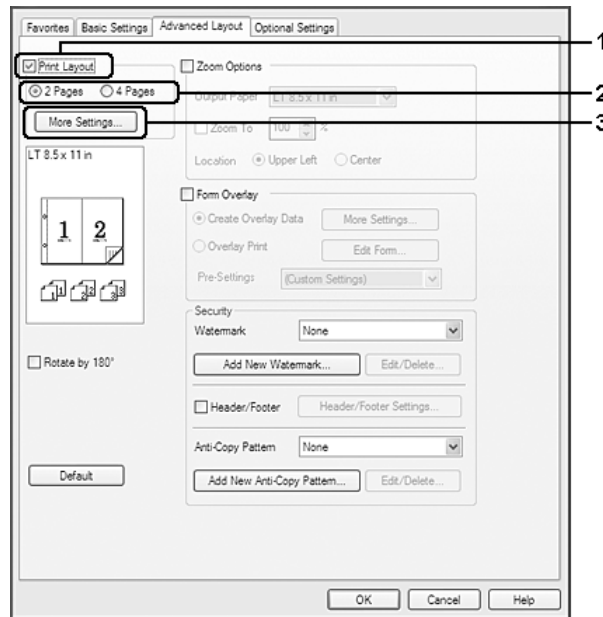
## Modifying the print layout

This function allows you to print multiple pages on single sheets of paper.

### For Windows users

1. Click the **Advanced Layout** tab.
2. Select the **Print Layout** check box and the number of pages you want to print on one sheet of paper.

3. If you want to make detailed settings, click **More Settings**. The Print Layout Settings dialog box appears.



4. Make appropriate settings. For details about each setting, see online help.
5. Click **OK**.

## ***Resizing printouts***

This function allows you to enlarge or reduce your document.

### **For Windows users**

1. Click the **Advanced Layout** tab.

2. Select the **Zoom Options** check box.



3. If you want to resize pages automatically to fit the output paper, select the desired paper size from the Output Paper drop-down list.  
If you want to resize pages by a specified magnification, select the **Zoom To** check box, then specify the percentage. You can also select the output paper size.
4. Select **Upper Left** (to print reduced page image at upper left corner of the paper) or **Center** (to print reduced page image with centering) for Location setting.

**Note:**

*This setting is not available when you select **Zoom To** check box.*

5. Click **OK**.

## Printing watermarks

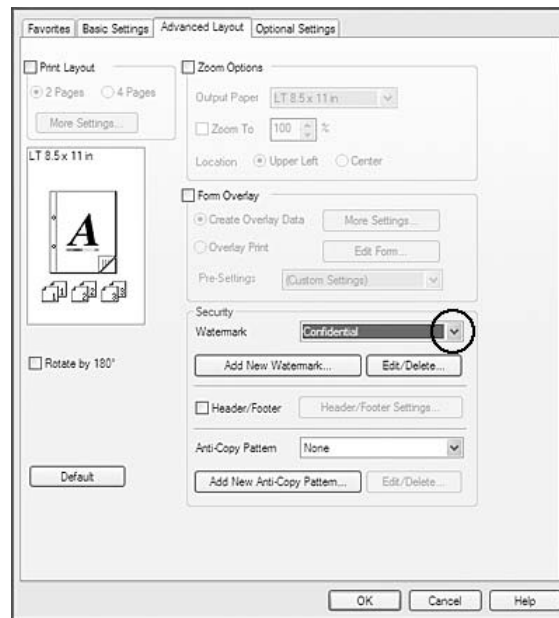
This function allows you to print a text-based or image-based watermark on your document.

### For Windows users

1. Click the **Advanced Layout** tab.



2. Select a watermark that you want to use from the Watermark drop-down list.



3. If you want to make detailed settings, click **Edit/Delete**, and make appropriate settings. For details about each setting, see online help.
4. Click **OK**.

## ***Making a new watermark***

### **For Windows users**

1. Click the **Advanced Layout** tab.
2. Click **Add New Watermark**.
3. Select **Text** or **BMP** and type a name for the new watermark in the Name box.
4. If you select **Text**, type the watermark text in the Text box. If you select **BMP**, select the BMP file you want to use, then click **Open**.
5. Click **OK**.

### **Note:**

- ❑ You can register up to 10 original watermarks.

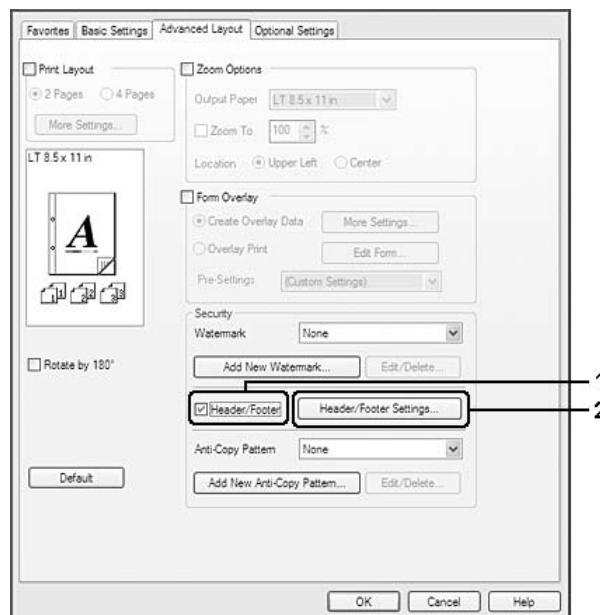
- ❑ To edit the saved watermark, click **Edit/Delete** on the Advanced Layout tab, select the watermark you want to edit in the Name box, and make appropriate settings, then click **OK**.
- ❑ To remove the saved watermark, click **Edit/Delete** on the Advanced Layout tab, select the watermark you want to delete in the Name box, then click **Delete**.
- ❑ The saved watermarks can only be used with the printer driver you saved them to. Even if multiple printer names are set for a printer driver, the settings can be available only for the printer name in which you saved the settings.
- ❑ When sharing the printer on a network, you cannot create a user defined watermark at the client.

## Printing headers and footers

This function allows you to print user name, computer name, date, time, or collate number, at the top or bottom of each page in a document.

### For Windows users

1. Click the **Advanced Layout** tab.
2. Select the **Header/Footer** check box, then click **Header/Footer Settings**.



3. Select the items from the drop-down list.

**Note:**

- If you select **Collate Number**, the number of copies is printed.
- When using the reserve job function, you cannot select Collate Number.

4. Click **OK**.

## **Printing with an overlay**

This function allows you to print a standard form or letterhead onto the original document.

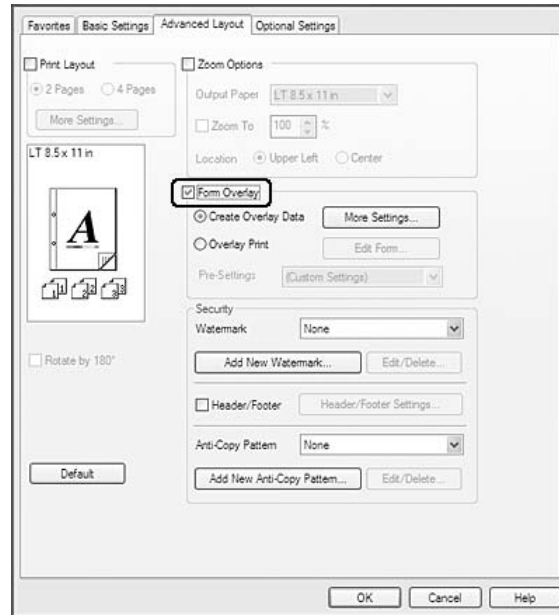
**Note:**

- This function is for Windows only.
- The overlay function is available only when **High Quality (Printer)** is selected for the Printing Mode in the Extended Settings dialog box from the Optional Settings tab.
- When printing in black-and-white with this function, Monochrome Model Compatibility is automatically enabled. This prints text and lines heavily, increasing the amount of toner consumption.

## **Creating an overlay**

1. Click the **Advanced Layout** tab.

2. Select the **Form Overlay** check box.



3. Select **Create Overlay Data**, then click **More Settings**. The Create Form dialog box appears.
4. Type the form name in the Form Name box and its description in the Description box.
5. Select **Foreground Document** or **Background Document** to specify whether the overlay will be printed as foreground or background of the document.
6. Select the **Assign to Paper Source** check box to display the form name in the Paper Source drop-down list on the Basic Settings tab.
7. Click **OK**.

**Note:**

- ❑ To change the settings of the overlay form data you created, access the printer driver and follow the step 1 and 2 above. Note that on the step 3, select **Overlay Print**, then click **Edit Form**.
- ❑ The following 9 characters cannot be used for form names: \ / : \* ? " < > |.

## Printing an overlaid document

You can select the registered form data from the Paper Source drop-down list on the Basic Settings tab. For registering form data in the Paper Source, see step 6 in “Creating an overlay” on page 51. If overlay form data is not registered in the Paper Source or if you want to make detailed settings, follow the steps below.

1. Click the **Advanced Layout** tab.
2. Select the **Form Overlay** check box.
3. Select the **Overlay Print** check box, then click **More Settings**. The Form Selection dialog box appears.
4. Make appropriate settings. For details about each setting, see online help.

**Note:**

*If you cannot select the form from the application, access the printer driver from the operating system. For details, see “Accessing the printer driver” on page 184.*

5. Click **OK**.

## Saving an overlaid form pre-settings

This function allows you to save the settings you made from “Creating an overlay” on page 51.

1. From the Form Selection dialog box, click **Save/Delete**. To open the dialog box, see “Printing an overlaid document” on page 53.
2. Type the pre-settings name in the Form Pre-Settings Name box, then click **Save**. Your pre-settings name will appear in the Form Pre-Settings drop-down list in the Form Selection dialog box.
3. Click **OK**. Your pre-settings name will appear in the Pre-Settings drop-down list in the Advanced Layout dialog box.

**Note:**

- To delete an overlaid form pre-setting, follow the step 1, select the pre-settings name you want to delete from Form Pre-Settings drop-down list, click **Delete**, and then click **OK**.*
- You can save up to 20 pre-settings.*

## **Printing with an overlay (with the storage)**

This function allows you to register the overlay form data on the storage. The optional CompactFlash memory installed on the printer is used as the storage for this product.

This function is available only when the following conditions are satisfied.

- The optional CompactFlash memory is installed on the printer. The CompactFlash memory must be at least 4 GB.
- Acquire from Printer** is selected under the Optional Settings tab on the printer driver.
- High Quality (Printer) mode is set.
- The printer is connected via a network.
- You are using Windows.
- EPSON Status Monitor is installed on the computer.
- Internet Explorer is running on the computer.

## **Register the overlay form data on the storage**

### **Note:**

*The form name must use only the characters shown below. A - Z, a - z, 0 - 9, and ! ' ) ( - \_ %*

1. Create the overlay form data. For details, see “Creating an overlay” on page 51.
2. Log in to Windows Vista, Vista x64, XP, XP x64, Server 2003, or Server 2003 x64 as an administrator.
3. Access the printer driver from the operating system. For details, see “Accessing the printer driver” on page 184.
4. Click the **Optional Settings** tab.
5. Click **Register**. The Authentication dialog box appears.
6. Enter the password, and then click **OK**.  
The Register to Storage dialog box appears.
7. Select the form name from the Form Names list, and then click **Register**.

**Note:**

- Only form names that can be registered appear on the Form Names list.
  - Click **Print List** to print the form list registered in the printer.
8. Click **Back** to close the Register to Storage dialog box.
  9. Click **OK**.

**Printing an overlaid document**

1. Click the **Advanced Layout** tab.
2. Select the **Form Overlay** check box.
3. Select the **Overlay Print** check box, then click **More Settings**. The Form Selection dialog box appears.
4. Select **CompactFlash in Printer** in the Current Source drop-down list.
5. Make appropriate settings. For details about each setting, see online help.
6. Click **OK** in the Form Selection dialog box.
7. Click **OK** in the Advanced Layout tab.

**Delete the overlay form data on the storage**

1. Follow the step 2 to 4 of “Register the overlay form data on the storage” on page 54.
2. Click **Delete**. The Authentication dialog box appears.
3. Enter the password, and then click **OK**.  
The Delete from Storage dialog box appears.
4. If you delete all overlay form data, click the **All** button, then click **Delete**. If you want to delete some specific data, click the **Selected** button, enter the form name in the Form Name edit box, then click **Delete**.

**Note:**

- ❑ *If you need the list of the registered overlay form data, click **Print List** to print it and confirm the form name. Also, if you need a sample print-out of the form data, enter the form name and click the **Print Sample** button.*
- ❑ *You can use the **Browse** button if the printer is connected through a network. Form names registered to the storage are displayed by clicking the **Browse** button.*

5. Click **Back**.

6. Click **OK**.

## **Printing the copy-protected document**

This function allows you to print a document as a copy-protected document. When you try to copy a copy-protected document, “COPY” is printed several times on the document.

**Note:**

- ❑ *Epson will not guarantee to secure from information leakage and any other damage by using this function, nor hidden letters appear in all cases.*
- ❑ *Screen-tone may be too dark, hidden letters may not be printed on the entire print, or hidden letters may not appear when photocopied depends on the models, settings, and combinations of photocopiers, fax machine, input device such as digital cameras and scanners, output device such as printers; printer driver settings of this product; condition of consumables such as toner and output paper type.*

### **For Windows users**

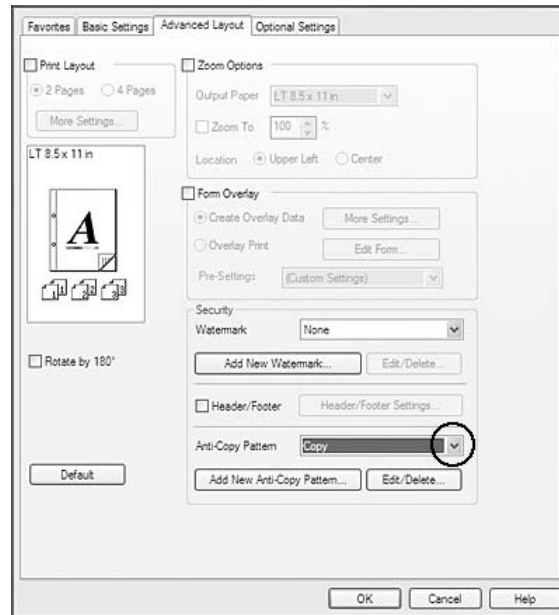
**Note:**

*With this function, the Print Quality setting is changed to **Fine**, and the Toner Save setting is disabled. Monochrome Model Compatibility function and Form Overlay function are also disabled.*

1. Click the **Advanced Layout** tab.



2. Select **Copy** from the Anti-Copy Pattern drop-down list.



3. If you want to make detailed settings, click **Edit/Delete**, and make appropriate settings. For details about each setting, see online help.
4. Click **OK**.

---

## Printing Multiple Print Jobs at Once

This function allows you to print several documents created by different applications at once arranging settings, such as the printing order, duplex, and the print layout.

1. Click the **Basic Settings** tab.
2. Select the **Print Job Arranger** check box.
3. Click **OK**.

The Print Job Arranger screen appears when a print job is executed. Make appropriate settings. For details, see the Print Job Arranger help.

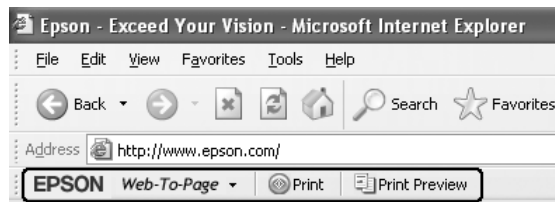
## Printing Web Pages to Fit Your Paper Size

This function allows you to make Web pages fit to your paper size when printing. Install EPSON Web-To-Page from the printer Software Disc.

### Note:

*This software is not available for Windows 7, Vista, XP x64, Server 2008, and Server 2003.*

After you install EPSON Web-To-Page, the menu bar is displayed on the Microsoft Internet Explorer Toolbar. If it does not appear, select **Toolbars** from the View menu of Internet Explorer, and then select **EPSON Web-To-Page**.



## Using the Reserve Job Function

This function allows you to store print jobs on the printer's memory and to print them later directly from the printer's control panel. You can prevent the printed document from being looked at by other people by applying a password to the print job.

This function uses the following types of printer memory.

Printer's Storage	Description
CompactFlash	The optional CompactFlash memory must be installed on your printer in order to use the Reserve Job function. Make sure that the CompactFlash memory is correctly recognized by the printer driver before you start using the Reserve Job function. The CompactFlash memory must be at least 4 GB.
RAM Disk	An additional memory must be installed on your printer in order to use the Reserve Job function. To enable the RAM disk, you have to set the RAM Disk setting on the control panel to Normal or Maximum. For instructions about increasing your printer's memory, see "Installing a memory module" on page 136. After the memory module is installed, you must update the option information. See "Making Optional Settings" on page 185. When both CompactFlash memory and a RAM disk are installed, CompactFlash memory is given priority and makes the RAM disk unavailable.

The table below gives an overview of the Reserve Job options.

Reserve Job Option	Description
Re-Print Job	Lets you print the job now and store it on the printer's memory. You can print the same job several times.
Verify Job	Lets you print one copy now to verify the content. You can print multiple copies later.
Stored Job*	Lets you store the print job on the printer's memory without printing it now.
Confidential Job	Lets you apply a password to the print job. You can print the job entering the password on the printer's control panel.

\* Not available when you use the RAM disk for the printer's memory.

## ***Sending the print job***

### **For Windows users**

1. Click the **Optional Settings** tab, then click **Reserve Jobs Settings**. The Reserve Jobs Settings dialog box appears.
2. Select the **Reserve Job On** check box, then select **Re-Print Job**, **Verify Job**, **Stored Job**, or **Confidential Job**.
3. Enter a user name and job name in the corresponding text boxes. If you selected **Confidential Job**, enter a four-digit number in the password text box to set the password.

**Note:**

*If you want to create a thumbnail of the first page of a job, select the **Create a thumbnail** check box. Thumbnails can be accessed by entering `http://` followed by the internal print server's IP address in a Web browser.*

4. Click **OK**.

**Note:**

*The OK button becomes available after both the user name and job name have been entered.*

If you selected **Re-Print Job**, the printer prints your document. If you selected **Verify Job**, the printer prints one copy of your document.

To print or delete this data using the printer's control panel, see "Printing and Deleting Reserve Job Data" on page 105.

## Chapter 3

# Using the Control Panel

## Using the Control Panel Menus

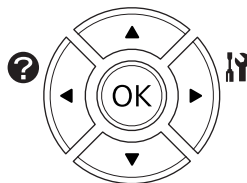
### When to make control panel settings

In general, printer driver settings override settings made using the control panel. You should make the following settings by using the control panel because these settings cannot be made in the printer driver.

- Settings to select emulation modes and IES (Intelligent Emulation Switching) mode
- Settings to specify a channel and configure the interface
- Settings to specify the size of the memory buffer used to receive data

### How to access the control panel menus

1. Press the ► **Right** button to access the control panel menus.



2. Use the ▲ **Up** and ▼ **Down** buttons to scroll through the menus.
3. Press the ► **Right** button to view the items in a menu. Depending on the menu, the LCD panel displays an item and the current setting separated (▲YYYY=ZZZZ), or only an item (▲YYYY).
4. Use the ▲ **Up** and ▼ **Down** buttons to scroll through the items, or press the ◀ **Left** button to return to the previous level.

5. Press the ► **Right** button to carry out the operation indicated by an item, such as printing a configuration status sheet or resetting the printer, or to view the settings available for an item, such as paper sizes or emulation modes.

Use the ▲ **Up** and ▼ **Down** buttons to scroll through available settings, then press the ► **Right** button to select a setting and return to the previous level. Press the ◀ **Left** button to return to the previous level without changing the setting.

**Note:**

- ❑ *You need to turn the printer off and then on to activate some settings. For details, see “Control Panel Menus” on page 62.*
- ❑ *The **OK** button can be used instead of the ► **Right** button in step 3 or 5.*

6. Press the **Start/Stop** button to exit the control panel menus.

## How to register menus as bookmarks

By registering bookmarks for frequently used menus, you can display the registered menus by just pressing the **OK** button while the LCD panel displays `Ready`.

**Note:**

*The maximum number of menus you can register as bookmarks is 3.*

1. Display the menu to register. For details, see “How to access the control panel menus” on page 60.
2. Press the **OK** button for more than two seconds.

The `Add Bookmark` menu appears.

**Note:**

*Some menus cannot be bookmarked. If you tried to register them, `Bookmark Failed` is displayed.*

3. Press the ▲ **Up** and ▼ **Down** buttons to select the menu to delete, then press the ► **Right** button.

**Note:**

*To register a new menu, you have to delete one of the registered menus from the bookmark.*

If `Bookmark Registered` is displayed, the menu is bookmarked successfully.

**Note:**

To restore the bookmark menus to the default values, select `SelectType Init` from the control panel's Reset Menu.

---

## Control Panel Menus

**Note:**

Some menus and items appear only when a corresponding optional device is installed or an appropriate setting has been done.

## Information Menu

Press the **▼ Down** or **▲ Up** button to select an item. Press the **► Right** button to print a sheet or font sample.

Item	Values
Print Configuration Status Sheet	-
Print Supplies Status Sheet	-
Print Usage History Sheet	-
Reserve Job List* <sup>1</sup>	-
Form Overlay List* <sup>2</sup>	-
Network Status Sheet* <sup>3</sup>	-
AUX Status Sheet* <sup>4</sup>	-
USB Extl/FStatusSht* <sup>5</sup>	-
PS3 Status Sheet	-
PS3 Font List	-
PCL Font Sample	-
ESCP2 Font Sample	-
FX Font Sample	-
I239X Font Sample	-

Item	Values
Cyan(C) Toner/Magenta(M) Toner/Yellow(Y) Toner/Black(K) Toner	E*****F to E F
Cyan(C) Photocon/Magenta(M) Photocon/Yellow(Y) Photocon/Black(K) Photocon	E*****F to E F
Transfer Unit Life	E*****F to E F
Fuser Unit Life	E*****F to E F
Total Pages	0 to 99999999
Color Pages	0 to 99999999
Monochrome Pages	0 to 99999999

\*1 Available only when the jobs are stored by using the Quick Print Job feature.

\*2 This item appears only when Form Overlay data exists.

\*3 Available only when the Network I/F setting in Network Menu is set to On.

\*4 Available only when an optional interface card is installed.

\*5 Available only when the printer is connected to a USB device with D4 support and has been turned on when the USB I/F setting is set to On.

### Print Configuration Status Sheet

Prints a sheet showing the current printer settings and installed options. This sheet can be useful to confirm whether option have been installed correctly.

### Print Supplies Status Sheet

Prints a sheet showing information about consumables.

### Print Usage History Sheet

Prints a sheet showing the history of the printer's usage.

### Reserve Job List

Prints a list of reserved print jobs stored on the printer's memory.

### Form Overlay List

Prints a list of the form overlays stored in the optional CompactFlash memory.

**Network Status Sheet**

Prints a sheet showing the working status of the network.

**AUX Status Sheet**

Prints a sheet showing the working status of the optional interface.

**USB ExtI/FStatusSht**

Prints a sheet showing the working status of the USB interface.

**PS3 Status Sheet**

Prints a sheet showing information about the PS3 mode such as the PS3 version.

**PS3 Font List, PCL Font Sample, ESCP2 Font Sample, FX Font Sample, I239X Font Sample**

Prints a sample of the fonts available for your selected printer emulation.

**Cyan(C) Toner/Magenta(M) Toner/Yellow(Y) Toner/Black(K) Toner/ Cyan(C) Photocon/  
Magenta(M) Photocon/Yellow(Y) Photocon/Black(K) Photocon/ Transfer Unit Life/Fuser  
Unit Life**

The number of asterisks (\*) between “E” and “F” indicates the remaining service lives of consumables. If a non-genuine consumable is used, “?” is displayed instead of the indicator.

**Total Pages**

Displays the total number of pages printed by the printer.

**Color Pages**

Displays the total number of pages printed in color by the printer.

**Monochrome Pages**

Displays the total number of pages printed in black-and-white by the printer.

***System Information***

The following information is displayed.



- Main Version
- MCU Version
- Stacker Version
- Serial No
- Memory
- MAC Address

## Tray Menu

Item	Settings (default in bold)
MP Tray Size	<b>A4</b> , A5, A6, B5, LT, HLT, LGL, GLT, GLG, EXE, F4, MON, C10, DL, C5, C6, IB5, CTM
MP Type	<b>Plain</b> , SemiThk, Preprinted, Letterhead, Recycled, Color, Labels, Thick, ExtraThk, Coated, Envelope, Special
Cassette1 Size	A4, A5, B5, LT, LGL, GLG, EXE, CTM
Cassette2 Size* / Cassette3 Size* / Cassette4 Size* / Cassette5 Size*	A4, A5, B5, LT, LGL, GLG, EXE, CTM
Cassette1 Type	<b>Plain</b> , SemiThk, Preprinted, Letterhead, Recycled, Color, Labels, Thick, ExtraThk, Coated, Special
Cassette2 Type* / Cassette3 Type* / Cassette4 Type* / Cassette5 Type*	<b>Plain</b> , SemiThk, Preprinted, Letterhead, Recycled, Color, Thick, ExtraThk, Special
Detect Cassette1 Size/Detect Cassette2 Size*/Detect Cassette3 Size*/Detect Cassette4 Size* / Detect Cassette5 Size*	<b>On</b> , Off
MP Tray AutoSel	<b>On</b> , Off
Cassette1 AutoSel/Cassette2 AutoSel*/Cassette3 AutoSel*/ Cassette4 AutoSel*/Cassette5 AutoSel*	<b>On</b> , Off

\* Available only when the optional paper cassette unit is installed.

## MP Tray Size

Select your paper size from this menu.

### **MP Type**

Lets you set the paper type loaded in the MP tray.

### **Cassette1 Size/Cassette2 Size/Cassette3 Size/Cassette4 Size/Cassette5 Size**

Displays the paper size loaded in the standard and optional paper cassettes.

### **Cassette1 Type/Cassette2 Type/Cassette3 Type/Cassette4 Type/Cassette5 Type**

Lets you select the paper type loaded in the standard and optional paper cassettes.

### **Detect Cassette1 Size/Detect Cassette2 Size/Detect Cassette3 Size/Detect Cassette4 Size/ Detect Cassette5 Size**

Detects the paper size loaded in the standard and optional paper cassettes.

### **MP Tray AutoSel/Cassette1 AutoSel/Cassette2 AutoSel/Cassette3 AutoSel/Cassette4 AutoSel/Cassette5 AutoSel**

Specifies whether the tray can be selected for printing when Paper Source is selected for Auto Selection in the printer driver.

## **Emulation Menu**

### **Note:**

*You can specify different emulations for each interfaces.*

<b>Item</b>	<b>Settings (default in bold)</b>
Parallel*	<b>Auto</b> , ESCP2, FX, I239X, PS3, PCL
USB	<b>Auto</b> , ESCP2, FX, I239X, PS3, PCL
Network	<b>Auto</b> , ESCP2, FX, I239X, PS3, PCL
AUX*	<b>Auto</b> , ESCP2, FX, I239X, PS3, PCL

\* Available only when an optional Type-B interface card is installed.

## Printing Menu

### Note:

The settings are overridden by the settings made in the printer driver.

Item	Settings (default in bold)
Page Size	<b>A4</b> , A5, A6, B5, LT, HLT, LGL, GLT, GLG, EXE, F4, MON, C10, DL, C5, C6, IB5, CTM <sup>*1</sup>
Wide A4	<b>Off</b> , On
Media Type	<b>Unspecified</b> , Plain, SemiThk, Preprinted, Letterhead, Recycled, Color, Labels, Thick, ExtraThk, Coated, Envelope, Special
Page Side	<b>Front</b> , Back
Paper Source	<b>Auto</b> , MP, Cassette1, Cassette2 <sup>*2</sup> , Cassette3 <sup>*2</sup> , Cassette4 <sup>*2</sup> , Cassette5 <sup>*2</sup>
Orientation	<b>Port</b> , Land
Resolution	300, <b>600</b> , 1200
RI Tech	<b>On</b> , Off
Toner Save	<b>Off</b> , On
Dot Correction	Off, <b>On</b>
Top Offset	-99.0 ... <b>0.0</b> ... 99.0mm in 0.5 increments
LeftOffset	-99.0 ... <b>0.0</b> ... 99.0mm in 0.5 increments
T Offset B	-99.0 ... <b>0.0</b> ... 99.0mm in 0.5 increments
L Offset B	-99.0 ... <b>0.0</b> ... 99.0mm in 0.5 increments

<sup>\*1</sup> The minimum and maximum of custom paper sizes vary depending on the tray.

76.2 × 127.0 mm to 215.9 × 355.6 mm for MP tray.

98.4 × 190.5 mm to 215.9 × 355.6 mm for lower paper cassette.

<sup>\*2</sup> Available only when the optional paper cassette unit is installed.

### Page Size

Specifies the paper size.

### Wide A4

Selecting **On** decreases the left and right margins to 3.4 mm.

**Media Type**

Specifies the paper type.

**Page Side**

Select **Front** when printing on the front of paper. Select **Back** when printing on the back of paper.

**Paper Source**

Specifies whether paper feeds into the printer from the MP tray, the standard paper cassette, or the optional paper cassette unit.

If you select **Auto**, paper feeds from the paper source containing paper that matches your **Paper Size** setting.

**Orientation**

Specifies whether the page is printed in portrait or landscape orientation.

**Resolution**

Specifies the printing resolution.

**RITech**

Turning RITech on produces smoother and crisper lines, text, and graphics.

**Toner Save**

When this setting is selected, the printer saves toner by substituting a gray shade for the black inside of characters. The characters are outlined in full black on the right and lower edges.

**Dot Correction**

Adjusts the weight of thin lines so they are printed clearly.

**Top Offset**

Makes fine adjustments to the vertical printing position of the page.

**Important:**

*Make sure that the printed image does not extend beyond the edge of the paper. Otherwise, you may damage the printer.*

**LeftOffset**

Makes fine adjustments to the horizontal printing position of the page. This is useful for fine adjustments.

**Important:**

*Make sure that the printed image does not extend beyond the edge of the paper. Otherwise, you may damage the printer.*

**T Offset B**

Adjusts the vertical printing position on the back of the paper when printing on both sides. Use this if the printout on the back is not where you expected.

**L Offset B**

Adjusts the horizontal printing position on the back of the paper when printing on both sides. Use this if the printout on the back is not where you expected.

**Setup Menu**

Item	Settings (default in bold)
Language	<b>English</b> , Français, Deutsch, Italiano, ESPAÑOL, SVENSKA, Dansk, Nederlands, SUOMI, Português, Norsk, CATALÀ, РУССКИЙ, Türkçe, 中文, 繁體中文, 한국어
Time Out	0, 5 to <b>60</b> to 300 in increments of 1
MP Mode	<b>Normal</b> , Last
Manual Feed	<b>Off</b> , 1st Page, EachPage
Copies	<b>1</b> to 999
Duplex <sup>*1</sup>	<b>On</b> , Off
Binding <sup>*1</sup>	<b>Long Edge</b> , Short Edge
Start Page <sup>*1</sup>	<b>Front</b> , Back
Offset Stacking <sup>*2</sup>	<b>On</b> , Off

Item	Settings (default in bold)
Staple <sup>*2</sup>	<b>Off</b> , On
Skip Blank Page <sup>*3</sup>	<b>Off</b> , On
Auto Eject Page <sup>*4</sup>	<b>Off</b> , On
Size Ignore	<b>Off</b> , On
Auto Cont	<b>Off</b> , On
Page Protect <sup>*3</sup>	<b>Auto</b> , On
A4/LT Auto Switching	<b>On</b> , Off
Convert to Monochrome	<b>On</b> , Off
LCD Contrast	0 to <b>7</b> to 15
RAM Disk <sup>*2</sup> <sup>*5</sup>	<b>Off</b> , Normal, Maximum
Confirm Media Type	<b>No</b> , Yes
Job Info.	Display Pattern 1, Display Pattern 2, Off

\*1 Available only when you use A4, A5, B5, LT, HLT, LGL, GLG, EXE, GLT, or F4 size paper.

\*2 Available only when the corresponding option is installed.

\*3 Available only for ESC/Page, ESC/P2, FX, or I239X mode.

\*4 Not available in PS3 and PCL.

\*5 After this item is changed, the setting value takes effect after a warm boot or after the power is turned on again.

## Language

Specifies the language displayed on the LCD panel and that printed on the status sheet.

## Time Out

Specifies the length of the time, in seconds, before a time out when interfaces are being switched automatically. The time before a time out occurs is the length of time from the point when no data is being received from an interface until the point of switching the interface. If the printer has a print job when switching the interface, the printer prints the print job.

## MP Mode

This setting determines whether the MP tray has the highest or lowest priority when **Auto** is selected as the Paper Source setting in the printer driver. When **Normal** is selected as the MP Mode, the MP tray has the highest priority as the paper source. If you select **Last**, the MP tray has the lowest priority.

### **Manual Feed**

Allows you to select the manual feed mode for the MP tray.

### **Copies**

Designates the number of copies to be printed, from 1 through 999.

### **Duplex**

Turns duplex printing on or off. This allows you to print on both sides of a page.

### **Binding**

Specifies the binding direction of the printout.

### **Start Page**

Specifies whether duplex printing starts from the front or back of the page.

### **Offset Stacking**

Specifies whether or not to offset the position of each set of copies.

### **Staple**

Specifies whether or not to staple each set of copies.

### **Skip Blank Page**

Enables you to skip blank pages when printing. This setting is available when you print in the ESC/Page, ESCP2, FX, or I239X mode.

### **Auto Eject Page**

Specifies whether or not to eject paper when the limit specified in the **Time Out** setting is reached. The default is **Off**, which means paper is not ejected when the time-out limit is reached.

### **Size Ignore**

If you want to ignore a paper size error, select **On**. When you turn this item on, the printer keeps printing even if the image size exceeds the printable area for the specified paper size. This may cause smudges because of the toner that is not transferred onto the paper properly. When this item is turned off, the printer stops printing if a paper size error occurs.

### **Auto Cont**

When you turn this setting on, the printer automatically continues printing after a certain period of time when one of the following errors occurs: **Paper Set**, **Print Overrun**, or **Memory Overflow**. When this option is off, you must press the **Start/Stop** button to resume printing.

### **Page Protect**

Allocates additional printer memory for printing data, as opposed to receiving it. You may need to turn this setting on if you are printing a very complex page. If a **Print Overrun** error message appears on the LCD panel during printing, turn this setting on and reprint your data. This reduces the amount of memory reserved for processing data so your computer may take longer to send the print job, but it will allow you to print complex jobs. **Page Protect** usually works best when **Auto** is selected. You will need to increase your printer's memory if memory errors continue to occur.

#### **Note:**

*Changing the **Page Protect** setting reconfigures the printer's memory, which causes any downloaded fonts to be deleted.*

### **A4/LT Auto Switching**

When A4 or Letter size paper is selected for printing and there is no paper of that size loaded, the printout is output in another size.

### **Convert to Monochrome**

Enables you to print in black-and-white when the color toner cartridges have reached the end of their service lives.

### **LCD Contrast**

Adjusts the contrast of the LCD panel. Use the **▲ Up** and **▼ Down** buttons to set the contrast between 0 (lowest contrast) and 15 (highest contrast.)

### **RAM Disk**

Specifies the RAM disk size available for the Reserve Job function. See the table below for details.



Optional RAM capacity (Total RAM capacity)	RAM Disk setting		
	Off	Normal	Maximum
0 MB (Total 512 MB)	Disabled	16 MB	16 MB
128 MB (Total 640 MB)		64 MB	128 MB
256 MB (Total 768 MB)		128 MB	256 MB
512 MB (Total 1024 MB)		256 MB	512 MB

### Confirm Media Type

Displays a message when the paper type in the tray selected for printing is different from that selected on Paper Type in the printer driver.

### Job Info.

Displays job information on the control panel, also skipping and canceling printing jobs can be done with this setting. The pattern of items displayed on the control panel can be selected from Display Pattern 1 and Display Pattern 2. Do not select Display Pattern 1 when the following languages are selected as Language on Setup Menu: **Norsk**, **CATALÀ**, **Русский**, **Türkçe**, 中文, 繁體中文, 한국어.

## Reset Menu

### Clear Warning

Clears warning messages that show errors except for these that occur from consumable products or mandatory-replacement parts.

### Clear All Warnings

Clears all warning messages that appear on the LCD panel.

### Reset

Stops printing and clears the current job received from the active interface. You may want to reset the printer when there is a problem with the print job itself and the printer cannot print successfully.

### Reset All

Stops printing, clears the printer memory. The print jobs received from all interfaces are erased.

**Note:**

*Performing **Reset All** clears print jobs received from all interfaces. Be careful not to interrupt someone else's job.*

**SelectType Init**

Restores the control panel menu settings to their default values.

## **Quick Print Job Menu**

This menu allows you to print or delete print jobs that were stored in the printer's memory using the Quick Print Job feature (Re-Print Job, Verify Job, Stored Job) of the printer driver's Reserve Job function. For instructions on using this menu, see "Using the Quick Print Job Menu" on page 105.

## **Confidential Job Menu**

This menu allows you to print or delete print jobs stored in the printer's memory using the Confidential Job feature of the printer driver's Reserve Job function. You need to enter the correct password to access this data. For instructions on using this menu, see "Using the Confidential Job Menu" on page 106.

## **Clock Menu**

<b>Item</b>	<b>Settings (default in bold)</b>
Local Time Diff.	-13:59 ... <b>0:00</b> ... +13:59
Time Setting	2000/ 01/01 00:00 to 2099/12/31 23:59
Date Format	<b>DD/MM/YY</b> , MM/DD/YY, YY/MM/DD

**Local Time Diff.**

Specifies the current date and time by entering the time difference from Greenwich Mean time.

**Time Setting**

Specifies the current date and time by entering them directly.

## Date Format

Specifies the format to display the date.

## Parallel Menu

These settings control communication between the printer and the computer when using the parallel interface.

Item	Settings (default in bold)
Parallel I/F*	<b>On</b> , Off
Speed*	<b>Fast</b> , Normal
Bi-D*	<b>ECP</b> , Off, Nibble
Buffer Size *	<b>Normal</b> , Maximum, Minimum

\* After this item is changed, the setting value takes effect after a warm boot or after the power is turned on again. While it is reflected in the Status Sheet and EPL read-back, the actual change takes effect after a warm boot or after the power is turned on again.

### Parallel I/F

Allows you to activate or deactivate the parallel interface.

### Speed

Specifies the pulse width of the ACKNLG signal when receiving data in the Compatibility mode or Nibble mode. When **Fast** is selected, the pulse width is about 1  $\mu$ s. When **Normal** is selected, the pulse width is about 10  $\mu$ s.

### Bi-D

Allows you to specify the bidirectional communication mode. When you select **Off**, bidirectional communication is disabled.

### Buffer Size

Determines the amount of memory to be used for receiving data and printing data. If **Maximum** is selected, more memory is allocated for receiving data. If **Minimum** is selected, more memory is allocated for printing data.

**Note:**

- ❑ To activate Buffer Size settings, you must turn off the printer for more than five seconds then turn it back on. Or, you can perform a Reset All operation, as explained in “Reset Menu” on page 73.
- ❑ Resetting the printer erases all print jobs. Make sure the Ready light is not flashing when you reset the printer.

**USB Menu**

Item	Settings (default in bold)
USB I/F <sup>*1</sup>	<b>On</b> , Off
USB Speed <sup>*1 *2</sup>	<b>HS</b> , FS
Get IPAddress <sup>*2 *3</sup>	Auto, PING, Panel
IP <sup>*2 *3 *4 *5</sup>	0.0.0.1 to 255.255.255.254
SM <sup>*2 *3</sup>	0.0.0.0 to 255.255.255.255
GW <sup>*2 *3</sup>	0.0.0.0 to 255.255.255.255
NetWare <sup>*2 *3</sup>	On, Off
AppleTalk <sup>*2 *3</sup>	On, Off
MS Network <sup>*2 *3</sup>	On, Off
Bonjour <sup>*2 *3</sup>	On, Off
USB Extl/F Init <sup>*2 *3</sup>	-
Buffer Size <sup>*1 *2</sup>	<b>Normal</b> , Maximum, Minimum

<sup>\*1</sup> After this item is changed, the setting value takes effect after a warm boot or after the power is turned on again. While it is reflected in the Status Sheet and EPL read-back, the actual change takes effect after a warm boot or after the power is turned on again.

<sup>\*2</sup> Available only when USB I/F is set to On.

<sup>\*3</sup> Available only when a USB external device with D4 support is connected. The contents of the settings depend on the USB external device settings.

<sup>\*4</sup> If the Get IPAddress setting is set to Auto, this setting cannot be changed.

<sup>\*5</sup> When the Get IPAddress setting is changed from Panel or PING to Auto, the panel setting values are saved. Then Auto is changed back to Panel or PING, the saved setting values are displayed. The value is set to 192.168.192.168 if the settings are not made from the panel.

## USB I/F

Allows you to activate or deactivate the USB interface.

## USB Speed

Allows you to select the operation mode of USB interface. Selecting **HS** is recommended. Select **FS** if **HS** does not work on your computer system.

## Buffer Size

Determines the amount of memory to be used for receiving data and printing data. If **Maximum** is selected, more memory is allocated for receiving data. If **Minimum** is selected, more memory is allocated for printing data.

### Note:

- To activate **Buffer Size** settings, you must turn off the printer for more than five seconds then turn it back on. Or, you can perform a **Reset All** operation, as explained in “Reset Menu” on page 73.
- Resetting the printer erases all print jobs. Make sure the **Ready** light is not flashing when you reset the printer.

## Network Menu

See the *Network Guide* for each setting.

## AUX Menu

See the *Network Guide* for each setting.

## PCL Menu

These settings are available in the PCL mode.

Item	Settings (default in bold)
FontSource	<b>Resident</b> , Download* <sup>1</sup>
Font Number	<b>0</b> ... 65535 (depending on your settings)

Item	Settings (default in bold)
Pitch* <sup>2</sup>	0.44 ... <b>10.00</b> ... 99.99cpi in 0.01cpi increment
Height* <sup>2</sup>	4.00 ... <b>12.00</b> ... 999.75pt in 0.25pt increment
SymSet	<b>IBM-US</b> , Roman-8, Roman-9, ECM94-1, 8859-2 ISO, 8859-9 ISO, 8859-10ISO, 8859-15ISO, PcBlt775, IBM-DN, PcMultiling, PcE.Europe, PcTk437, PcEur858, Pc1004, WiAnsi, WiE.Europe, WiTurkish, WiBALT, DeskTop, PsText, VeInternati, VeUS, MsPublishin, Math-8, PsMath, VeMath, PiFont, Legal, UK, ANSI ASCII, Swedis2, Italian, Spanish, German, Norweg1, French2, Windows, McText, Hebrew7, 8859-8 ISO, Hebrew8, Arabic8, OCR A, OCR B, Pc866Cyr, Pc866Ukr, WinCyr, ISOcyr, Pc8Grk, Pc851Grk, WinGrk, ISOGrk, Greek8, Pc862Heb, Pc864Ara, HPWARA
Form	5 ... <b>64</b> ... 128Lines
CR Function	<b>CR</b> , CR+LF
LF Function	<b>LF</b> , CR+LF
Tray Assign	<b>4K</b> , 5S, 4

\*<sup>1</sup> Available only when downloaded fonts are available.

\*<sup>2</sup> Depending on the font that has been selected.

## FontSource

Sets the default font source.

## Font Number

Sets the default font number for the default font source. The available number depends on the settings you made.

## Pitch

Specifies the default font pitch if the font is scalable and of fixed-pitch. You can select from 0.44 to 99.99 cpi (characters per inch), in 0.01-cpi increments. This item may not appear depending on the FontSource or Font Number settings.

## Height

Specifies the default font height if the font is scalable and proportional. You can select from 4.00 to 999.75 points, in 0.25-point increments. This item may not appear depending on the FontSource or Font Number settings.

## SymSet

Selects the default symbol set. If the font you selected in FontSource and Font Number is not available in the new SymSet setting, the FontSource and the Font Number settings are automatically replaced with the default value, IBM-US.

## Form

Selects the number of lines for the selected paper size and orientation. This also causes a line spacing (VMI) change, and the new VMI value is stored in the printer. This means that later changes in the Page Size or Orientation settings cause changes in the Form value, based on the stored VMI.

## CR Function, LF Function

These functions are included for users of particular operating systems, such as UNIX.

## Tray Assign

Changes the assignment for the paper source select command. When 4 is selected, the commands are set as compatible with the HP LaserJet 4. When 4K is selected, the commands are set as compatible with the HP LaserJet 4000, 5000, and 8000. When 5S is selected, the commands are set as compatible with the HP LaserJet 5S.

## PS3 Menu

Item	Settings (default in bold)
Error Sheet	<b>Off</b> , On
Coloration	<b>Color</b> , Mono
Image Protect	<b>On</b> , Off
Binary	<b>Off</b> , On
Text Detection	<b>Off</b> , On
PDF Page Size	Auto, <b>A4</b> , A5, A6, B5, LT, HLT, LGL, GLT, GLG, EXE, F4, MON, C10, DL, C5, C6, IB5

### Error Sheet

When you select **On**, the printer prints out an error sheet when an error occurs in the PS3 mode or when the PDF file you tried to print is not a supported version.

### Coloration

Allows you to select the color printing or black-and-white printing mode.

### Image Protect

When **On** is selected, the print quality is not reduced even with insufficient memory. In that case, **Memory Overflow** is displayed and the printing is stopped.

When **Off** is selected, the print quality is reduced with insufficient memory. In that case, **Image Optimum** is displayed and the printing is continued.

### Binary

Specifies the data format. Select **On** for the Binary data and select **Off** for the ASCII data.

#### Note:

- Binary can only be used with network connection.*
- You do not have to select **On** when using AppleTalk.*

To use the Binary data, make sure your application supports Binary data and that **SEND CTRL-D Before Each Job** and **SEND CTRL-D After Each Job** are set to **No**.

When this setting is set to **On**, you cannot use TBCP (Tagged binary communication protocol) in the printer driver settings.

### Text Detection

When you select **On**, the text file is converted to a PostScript file when printing. This setting is available only when you select **PS3** in the **Emulation Menu**.

### PDF Page Size

Specifies the paper size when you send the PDF file directory from a computer or some other device. If **Auto** is selected, the paper size is determined based on the size of the first page that is printed.

## ESCP2 Menu

Item	Settings (default in bold)
Font	<b>Courier</b> , Prestige, Roman, Sans serif, Roman T, Orator S, Sans H, Script, OCR A, OCR B
Pitch	<b>10</b> , 12, 15cpi, Prop.
Condensed	<b>Off</b> , On



Item	Settings (default in bold)
T.Margin	0.40 ... <b>0.50</b> ... 1.50inch in 0.05-inch increments
Text	1... <b>66</b> ... 81Lines
CGTable	<b>PcUSA</b> , Italic, PcMultilin, PcPortugue, PcCanFrenc, PcNordic, PcTurkish2, Pclcelandic, PcE.Europe, BpBRASCI, BpAbicomp, Roman-8, PcEur858, ISO Latin1, 8859-15ISO, PcSI437, PcTurkish1, 8859-9ISO, Mazowia, CodeMJK, PcGk437, PcGk851, PcGk869, 8859-7ISO, PcCy855, PcCy866, PcUkr866, PcLit771, Bulgarian, Hebrew7, Hebrew8, PcHe862, PcAr864, PcAr864Ara, PcAr720, PcLit774, Estonia, ISO Latin2, PcLat866
Country	<b>USA</b> , France, Germany, UK, Denmark, Sweden, Italy, Spain1, Japan, Norway, Denmark2, Spain2, LatinAmeric, Korea, Legal
Auto CR	<b>On</b> , Off
Auto LF	<b>Off</b> , On
Bit Image	<b>Dark</b> , Light, BarCode
ZeroChar	<b>0</b> , (or the zero character with a slash)

## Font

Selects the font.

## Pitch

Selects the pitch (the horizontal spacing) of the font in fixed pitch, measured in cpi (characters per inch). You can also choose proportional spacing.

## Condensed

Turns condensed printing on or off.

## T.Margin

Sets the distance from the top of the page to the baseline of the first printable line. The distance is measured in inches. The smaller the value, the closer the printable line is to the top.

## Text

Sets the page length in lines. For this option, a line is assumed to be 1 pica (1/6 inch). If you change the Orientation, Page Size, or T.Margin settings, the page length setting automatically returns to the default for each paper size.

## **CGTable**

Use the character generator (CG) table option to select the graphics character table or the italics table. The graphics table contains graphic characters for printing lines, corners, shaded areas, international characters, Greek characters, and mathematical symbols. If you select *Italic*, the upper half of the character table is defined as italic characters.

## **Country**

Use this option to select one of the fifteen international symbol sets. See the *Font Guide* for samples of the characters in each country's symbol set.

## **Auto CR**

Specifies whether the printer performs a carriage-return/line-feed (CR-LF) operation whenever the printing position goes beyond the right margin. If you select *Off*, the printer does not print any characters beyond the right margin and does not perform any line wrapping until it receives a carriage-return character. This function is handled automatically by most applications.

## **Auto LF**

If you select *Off*, the printer does not send an automatic line-feed (LF) command with each carriage-return (CR). If *On* is selected, a line-feed command is sent with each carriage-return. Select *On* if your text lines overlap.

## **Bit Image**

The printer is able to emulate the graphics densities set with the printer commands. If you select *Dark*, the bit image density is high, and if you select *Light*, the bit image density is low.

If you select *BarCode*, the printer converts bit images to bar codes by automatically filling in any vertical gaps between dots. This produces unbroken vertical lines that can be read by a bar code reader. This mode will reduce the size of the image being printed, and may also cause some distortion when printing bit image graphics.

## **ZeroChar**

Specifies whether the printer prints a slashed or unslashed zero.

## FX Menu

Item	Settings (default in bold)
Font	<b>Courier</b> , Prestige, Roman, Sans serif, Script, Orator S, OCR A, OCR B
Pitch	<b>10</b> , 12, 15cpi, Prop.
Condensed	<b>Off</b> , On
T.Margin	0.40 ... <b>0.50</b> ... 1.50inch in 0.05-inch increments
Text	1... <b>66</b> ... 81Lines
CGTable	<b>PcUSA</b> , Italic, PcMultilin, PcPortugue, PcCanFrenc, PcNordic, PcTurkish2, Pclcelandic, PcE.Europe, BpBRASCI, BpAbicomp, Roman-8, PcEur858, ISO Latin1, 8859-15ISO
Country	<b>USA</b> , France, Germany, UK, Denmark, Sweden, Italy, Spain1, Japan, Norway, Denmark2, Spain2, LatinAmeric
Auto CR	<b>On</b> , Off
Auto LF	<b>Off</b> , On
Bit Image	<b>Dark</b> , Light, BarCode
ZeroChar	<b>0</b> , (or the zero character with a slash)

### Font

Selects the font.

### Pitch

Selects the pitch (the horizontal spacing) of the font in fixed pitch, measured in cpi (characters per inch). You can also choose proportional spacing.

### Condensed

Turns condensed printing on or off.

### T.Margin

Sets the distance from the top of the page to the baseline of the first printable line. The distance is measured in inches. The smaller the value, the closer the printable line is to the top.

### Text

Sets the page length in lines. For this option, a line is assumed to be 1 pica (1/6 inch). If you change the *Orientation*, *Pape Size*, or *T.Margin* settings, the page length setting automatically returns to the default for each paper size.

### **CGTable**

Use the character generator (CG) table option to select the graphics character table or the italics table. The graphics table contains graphic characters for printing lines, corners, shaded areas, international characters, Greek characters, and mathematical symbols. If you select *Italic*, the upper half of the character table is defined as italic characters.

### **Country**

Use this option to select one of the thirteen international symbol sets. See the *Font Guide* for samples of the characters in each country's symbol set.

### **Auto CR**

Specifies whether the printer performs a carriage-return/line-feed (CR-LF) operation whenever the printing position goes beyond the right margin. If you select *Off*, the printer does not print any characters beyond the right margin and does not perform any line wrapping until it receives a carriage-return character. This function is handled automatically by most applications.

### **Auto LF**

If you select *Off*, the printer does not send an automatic line-feed (LF) command with each carriage-return (CR). If *On* is selected, a line-feed command is sent with each carriage-return. Select *On* if your text lines overlap.

### **Bit Image**

The printer is able to emulate the graphics densities set with the printer commands. If you select *Dark*, the bit image density is high, and if you select *Light*, the bit image density is low.

If you select *BarCode*, the printer converts bit images to bar codes by automatically filling in any vertical gaps between dots. This produces unbroken vertical lines that can be read by a bar code reader. This mode will reduce the size of the image being printed, and may also cause some distortion when printing bit image graphics.

### **ZeroChar**

Selects whether the printer prints a slashed or unslashed zero.

## I239X Menu

The I239X mode emulates IBM® 2390/2391 Plus commands.

These settings are available only when the printer is in the I239X mode.

Item	Settings (default in bold)
Font	<b>Courier</b> , Prestige, Gothic, Orator, Script, Presentor, Sans serif
Pitch	<b>10</b> , 12, 15, 17, 20, 24cpi, Prop.
Code Page	<b>437</b> , 850, 858, 860, 863, 865
T.Margin	0.30 ... <b>0.40</b> ... 1.50inch in 0.05-inch increments
Text	1 ... <b>67</b> ... 81Lines
Auto CR	<b>Off</b> , On
Auto LF	<b>Off</b> , On
Alt. Graphics	<b>Off</b> , On
Bit Image	<b>Dark</b> , Light
ZeroChar	<b>0</b> , (or the zero character with a slash)
CharacterSet	1, <b>2</b>

### Font

Selects the font.

### Pitch

Selects the pitch (the horizontal spacing) of the font in fixed pitch, measured in cpi (characters per inch). You can also choose proportional spacing.

### Code Page

Selects the character tables. Character tables contain the characters and symbols used by different languages. The printer prints text based on the selected character table.

### T.Margin

Sets the distance from the top of the page to the baseline of the first printable line. The distance is measured in inches. The smaller the value, the closer the printable line is to the top.

### **Text**

Sets the page length in lines. For this option, a line is assumed to be 1 pica (1/6 inch). If you change the Orientation, Page Size, or Top Margin settings, the page length setting automatically returns to the default for each paper size.

### **Auto CR**

Specifies whether the printer performs a carriage-return/line-feed (CR-LF) operation whenever the printing position goes beyond the right margin. If this setting is off, the printer does not print any characters beyond the right margin and does not perform any line wrapping until it receives a carriage-return character. This function is handled automatically by most applications.

### **Auto LF**

If you select `Off`, the printer does not send an automatic line-feed (LF) command with each carriage-return (CR). If `On` is selected, a line-feed command is sent with each carriage-return. Select `On` if your text lines overlap.

### **Alt. Graphics**

Turns the Alternate Graphics option on or off.

### **Bit Image**

The printer is able to emulate the graphics densities set with the printer commands. If you select `Dark`, the bit image density is high, and if you select `Light`, the bit image density is low.

If you select `BarCode`, the printer converts bit images to bar codes by automatically filling in any vertical gaps between dots. This produces unbroken vertical lines that can be read by a bar code reader. This mode will reduce the size of the image being printed, and may also cause some distortion when printing bit image graphics.

### **ZeroChar**

Selects whether the printer prints a slashed or unslashed zero.

### **CharacterSet**

Selects character table 1 or 2.

## Password Config Menu

Item	Settings (default in bold)
Password Config*	-
Limitation	<b>Disable</b> , Interface, Config, All

\* The default password is blank. You can enter up to 20 characters for the password.

### Password Config

Changes the password. Enter the old password first and then enter the new password twice.

To enter the password, press the ▼ **Down** or ▲ **Up** button to select the character and press the ► **Right** button to determine the character. After all characters are determined, press the **OK** button.

#### Note:

*If you forget your password, contact your dealer. Note that when the password is initialized, the settings and data stored on the printer are deleted. Depending on your environment, settings, such as network connection settings, may need to be done again. We recommend making a note or backup of the necessary data and setting information.*

### Limitation

Changes the restriction range. When **Interface** is selected, the password is required to change the settings in the **USB** and **Network** menus. When **Config** is selected, the password is required to enter **Quick Print JobMenu** or **ConfidentialJobMenu**, or to change the settings in all menus. When **All** is selected, the password is required to enter **Quick Print JobMenu** or **ConfidentialJobMenu**, or to change the settings and to perform the items in all menus. Before changing the setting, you have to enter the password set in the **Password Config** setting.

## Energy Saver Menu

Item	Settings (default in bold)
Preheat Mode	<b>Off</b> , On
Time to Preheat	<b>1Min</b> , 3Min, 5Min, 15Min, 30Min, 60Min, 120Min, 180Min
Time to Sleep	<b>1Min</b> , 3Min, 5Min, 15Min, 30Min, 60Min, 120Min, 180Min, 240Min
Deep Sleep Mode*1 *2	On, <b>Off</b>

Item	Settings (default in bold)
Power Off Timer <sup>*3</sup>	<b>On</b> , Off
Time to Off <sup>*1</sup>	30, 60, 120, 180, 240, 360, <b>480</b> Min

\*1 Not available in PS3.

\*2 Not available when a USB cable is connected or an optional interface card is installed.

\*3 If EU is not selected as the `Region Settings` for the initial settings, the default value is Off.

## Preheat Mode

When this setting is set to `On`, the printer enters the preheat mode and reduces power consumption. In this mode, the printer returns to the ready status faster than from sleep mode or deep sleep mode, but uses more power.

## Time to Preheat

Specifies the length of the time until the printer enters the preheat mode when the `Preheat Mode` is set to `On`. The printer does not enter the preheat mode if the specified time in `Time to Preheat` is the same as or longer than that of `Time to Sleep`.

## Time to Sleep

Specifies the length of the time until the printer enters the sleep mode or deep sleep mode if there are no button operations and no jobs to be printed.

## Deep Sleep Mode

When this setting is set to `On`, the printer switches into the deep sleep mode at the time specified in the `Time to Sleep` setting if the printer is not operated or receives no jobs. In the deep sleep mode, the **Wake Up/Sleep** button lights and more power is saved than when in the sleep mode. The printer switches to the deep sleep mode only when the `AppleTalk`, `WSD`, `IPv6`, and `IPSec` settings in `Network Menu` and `RAM Disk` in `Setup Menu` are set to `Off`.

To recover from the deep sleep mode, press the **Wake Up/Sleep** button. The printer recovers automatically when it receives a print job.

## Power Off Timer (Power Off mode)

When this setting is set to `On`, the printer automatically turns off at the time specified in the `Time to Off` setting. The printer does not enter the power off mode if it is receiving or sending data.



The printer recovers from the power off mode when the power switch is turned on.

### Time to Off

Specifies the length of the time until the printer enters the power off mode if there are no button operations and no jobs to be printed.

## Support Menu

Enter the Support Mode by pressing the **▼ Down** button while turning the printer on, to make Support Menu and Printer Adjust Menu appear.



### **Important:**

- Select only the items below from the Support Menu. Do not select any items on the Printer Adjust Menu.*
- When formatting the CompactFlash or deleting the data, unplug the interface cables and do not print files.*

### Format CompactFlash

Formats the CompactFlash memory in the printer if a CompactFlash memory is installed.

### Format PS3 CompactFlash

Formats the CompactFlash area where PostScript information is stored if a CompactFlash memory is installed.

### Delete All CompactFlash Data

Deletes all data in the CompactFlash memory if a CompactFlash memory is installed.

## Bookmark Menu

The bookmark menu appears by pressing the **OK** button while the LCD panel displays *Ready*. In the bookmark menu, the bookmarked setting items are listed and you can select one of them. The following menus are bookmarked by default.


- Reset Menu
- MP Tray Size

## ❑ System Information

To register the menus in bookmark, see “How to register menus as bookmarks” on page 61 for details.

---

## Status and Error Messages

This section contains a list of error messages shown on the LCD panel, a brief description of each message and suggestions for correcting the problem. Note that not every message shown on the LCD panel indicates a problem. When the  mark is displayed at the right of the warning/error message, multiple warnings/errors occur. To confirm all warnings that occur, press the **▼ Down** button to display the *Status Menu*, then press the **► Right** button. The LCD panel also displays the remaining service life of the consumables and available paper sizes.


### Bookmark Failed

The selected menu cannot be registered as a bookmark. Some menus cannot be registered as bookmarks.


### Bookmark Registered

The selected menu is registered as a bookmark.

### Cancel All Print Job

The printer is canceling all print jobs in the printer memory, including jobs the printer is currently receiving or printing. This message appears when the  **Pause/Cancel** button has been pressed down for more than 2 seconds.

### Cancel Print Job

The printer is canceling the current print job. This message appears when the  **Pause/Cancel** button has been pressed and released within 2 seconds.

### Cancel Print Job (by host)

The print job is canceled at the printer driver.

### Cannot Staple. Print without Staple?

The printer has encountered problems while stapling.  
Pressing the **Start/Stop** button will print the rest of the print job without stapling.

Remove the staple cartridge and check to see if there is any problem with it. If there are only a few staples left, replace the staple cartridge with a new one.


For details, see “Problems Using Stapler/Stacker Unit” on page 122.

### **Can't Print**

The print data is deleted because it is incorrect.

Make sure the appropriate paper size and printer driver are used.

### **Can't Print Duplex**

The printer has encountered problems during duplex printing. Make sure you are using an appropriate type and size of paper for the duplex printing. The problem could also be a result of incorrect settings for the paper source you are using. Pressing the **Start/Stop** button will print the rest of the print job on only one side of the paper. Press the  **Pause/Cancel** button to cancel the print job.

### **Can't Use Bookmark**

The registered menu cannot be used because the menu is disabled by changing any settings after registered the menu in bookmark.

### **Cassette Error yyy**

Too many optional paper cassette units are installed to the printer. Up to three units can be installed.

### **CF CHECK**

The printer is checking the CompactFlash memory.

### **Check Paper Size**

The paper size setting is different from the size of paper loaded in the printer. Check to see if the correct size of paper is loaded in the specified paper source.

To clear this error, select **Clear Warnings** from the control panel's **Reset Menu**. See “How to access the control panel menus” on page 60 for instructions.

### **Check Paper Type**

The paper loaded in the printer does not match the paper type setting in the printer driver. Paper that matches only the paper size setting will be used for printing.

To clear this error, select `Clear Warning` from the control panel's `Reset Menu`. See "How to access the control panel menus" on page 60 for instructions.

### **Check Staple Cartridge**

There is a problem with the staple cartridge or a staple jam has occurred.

Remove the staple cartridge to see if there is any problem with it, and then reinstall it. If there are staples jammed in the staple cartridge, remove the staples before installing the cartridge.

For details, see "Problems Using Stapler/Stacker Unit" on page 122.

### **Clear paper jam and then reload wwww**

The location where the paper jam occurred is displayed at `wwwww.wwwww` indicates the location of the error.

If a paper jam occurs at two or more locations simultaneously, the corresponding multiple locations are displayed.

For details about clearing paper jam, see "Clearing Jammed Paper" on page 155.

### **Close Cover wwww**

The specified cover (`wwww`) does not close securely. Open the cover once, and then close.

### **Collate Disabled**

Printing by specifying the number of copies is no longer possible due to a lack of memory (RAM). If this error occurs, print only one copy at a time.

To clear this error, select `Clear Warning` from the control panel's `Reset Menu`. See "How to access the control panel menus" on page 60 for instructions.

### **CompactFlash Error**

The installed CompactFlash memory is not supported by the printer or you selected `No` when the `Format Required` was displayed on the control panel. Turn off the printer and remove the CompactFlash memory. If `Format Required` is displayed on the control panel, select `Yes`.

### CompactFlash Full

The optional CompactFlash memory is full and you cannot save any data. Delete the unnecessary data from the CompactFlash memory. To clear this error, select **Clear Warnings** from the control panel's **Reset Menu**. For instruction about accessing the control panel menus, see "How to access the control panel menus" on page 60.

### Cooling Down

The printer is cooling down. This is not an error message, and will clear itself.

### Correct time using Time Setting

The current time setting is reset because you did not connect the power cord for a long time. To clear this error, select **Time Settings** from **Clock Menu** and specify the current date and time.

### Duplex Memory Overflow

There is not enough memory for duplex printing. The printer prints only on the front and ejects the paper. To clear this error, follow the instructions below.

If **Off** is selected as the **Auto Cont** setting on the control panel's **Setup Menu**, press the **Start/Stop** button to print on the back of the next sheet, or press the **Pause/Cancel** button to cancel the print job.

If **On** is selected as the **Auto Cont** setting on the control panel's **Setup Menu**, printing continues automatically after a certain period of time.

### Feed Roller MP Needed Soon, Feed Roller C1 Needed Soon, Feed Roller C2 Needed Soon, Feed Roller C3 Needed Soon, Feed Roller C4 Needed Soon, Feed Roller C5 Needed Soon

This message indicates that the feed roller C2, C3, or C4 is near the end of its service life. You can continue to print until the **Replace Feed Roller MP**, **Replace Feed Roller C1**, **Replace Feed Roller C2**, **Replace Feed Roller C3**, or **Replace Feed Roller C4** message appears.

To clear this warning message and continue printing, select **Clear All Warnings** from the control panel's **Reset Menu**. For instruction about accessing the control panel menus, see "How to access the control panel menus" on page 60.

### Form Data Canceled

Unable to store form overlay data on the optional CompactFlash memory. Either the CompactFlash memory is not installed correctly, or the maximum number of form overlay files has been reached. Confirm that the optional CompactFlash memory is installed correctly, or delete any form overlay files you no longer need, and then try storing the new overlay again.

To clear this error, select `Clear Warnings` from the control panel's `Reset Menu`. For instruction about accessing the control panel menus, see "How to access the control panel menus" on page 60.

### **Form Feed**

The printer is ejecting paper due to a user request. This message appears when pressing the **Start/Stop** button once to make the printer offline, then holding down the **Start/Stop** button for more than 2 seconds in order not to receive form feed command.

### **Format Required**

The installed CompactFlash memory needs to be formatted to use it with the printer.

Select `Yes` to format the memory, or select `No` to cancel formatting. If you select `No`, `CompactFlash Error` is displayed and you cannot use the memory for the printer. In that case, turn off the printer and remove the CompactFlash memory.

### **Formatting CF**

The CompactFlash memory is being formatted.

### **Fuser Needed Soon**

This message indicates that the fuser unit is near the end of its service life. You can continue to print until the `Replace Fuser` message appears.

To clear this warning message and continue printing, select `Clear All Warnings` from the control panel's `Reset Menu`. For instruction about accessing the control panel menus, see "How to access the control panel menus" on page 60.

### **Fuser Trouble**

There is a problem with the fuser unit. Remove the fuser unit and reinsert it. If that fails to clear the error, replace the fuser unit with a new one. For details about replacement, see the instructions that come with the fuser unit.

**Caution:**

*If the printer has been in use, the fuser and the surrounding areas may be very hot. If you must touch one of these areas, turn off the printer and wait 30 minutes to allow the heat to subside before doing so.*

**Image Optimum**

There is insufficient memory to print the page at the specified print quality. The printer automatically lowers the print quality so that it can continue printing. If the quality of the printout is not acceptable, try simplifying the page by limiting the number of graphics or reducing the number and size of fonts.

To clear this error, select **Clear Warning** from the control panel's **Reset Menu**. See "How to access the control panel menus" on page 60 for instructions.

You may need to increase the amount of printer memory to be able to print at the desired print quality for your document. For more information on adding memory, see "Memory Module" on page 136.

**Install Cassette 1**

The lower paper cassette is not installed. Install the cassette.

**Install Fuser**

The fuser unit is not installed correctly. Open cover B and install it correctly. For details about replacement, see the instructions that come with the fuser unit.

**Caution:**

*If the printer has been in use, the fuser and the surrounding areas may be very hot. If you must touch one of these areas, turn off the printer and wait 30 minutes to allow the heat to subside before doing so.*

**Install Photocon uuuu**

The wrong photoconductor unit is installed in the indicated color position in the printer or the position is empty. (The letters C, M, Y, or K appear in place of uuuu and indicate the colors Cyan, Magenta, Yellow, and Black respectively.)

Install the indicated cartridges. See "Replacing Consumable Products/Maintenance Parts" on page 146.

**Install Transfer Unit**

The transfer belt is not installed correctly. After you open cover B, open cover A and cover H, and then install it correctly.

### **Install 2nd Transfer Unit**

The transfer roll unit is not installed correctly. Open cover B and install it correctly.

### **Install uuuu Toner Cartridge**

The wrong toner cartridge is installed in the indicated color toner cartridge position in the printer or the position is empty. (The letters C, M, Y, or K appear in place of uuuu and indicate the colors Cyan, Magenta, Yellow, and Black respectively.)

Install the indicated cartridges. See “Replacing Consumable Products/Maintenance Parts” on page 146.

### **Invalid AUX I/F Card**

This message means that the printer cannot communicate with the installed optional interface card. Turn off the printer, remove the card, then reinstall it.

### **Invalid Data**

The spool file on the driver is deleted while printing or the data is abnormal. Press the **Start/Stop** button to clear the error.

### **Invalid N/W Module**

There is no network program, or the network program cannot be used with your printer. Contact a qualified service representative.

### **Invalid PS3**

There are errors in the ROM module. Turn off the printer and contact your dealer.

### **Manual Feed ssss**

The manual feed mode is specified for the current print job. Make sure the paper size indicated by ssss is loaded, then press the **Start/Stop** button.

### **Memory Overflow**

The printer has insufficient memory to execute the current task. Press the **Start/Stop** button on the control panel to resume printing, or press the **Pause/Cancel** button to cancel the print job.




## Need Memory

The printer has insufficient memory to complete the current print job.

To clear this error message, select `Clear Warning` from the control panel's `Reset Menu`. See “How to access the control panel menus” on page 60 for instructions.

To prevent this problem from recurring, add more memory to your printer as described in “Memory modules” on page 208, or reduce the resolution of the image to be printed.

## No trays available Cancel the job

All of the `MP Tray AutoSel`, `Cassette1 AutoSel`, `Cassette2 AutoSel`, `Cassette3 AutoSel`, and `Cassette4 AutoSel` settings in `Tray Menu` are set to `Off`, so the printer cannot feed paper. Press the  **Pause/Cancel** button to cancel the print job. To continue printing, specify the paper source on the printer driver, or set the above settings in `Tray Menu` to `On`.

## Non-Genuine Toner Cartridge

The installed toner cartridge is not a genuine Epson product. Installing a genuine toner cartridge is recommended. The printout and remaining service life of each toner cartridge displayed on the control panel may be different from those when using genuine Epson toner cartridges. Epson shall not be liable for any damages or problems arising from the use of consumable products not manufactured or approved by Epson.

Install a genuine Epson product, or `Clear All Warnings` of the `Reset Menu` on the control panel to clear the warning message. See “Replacing Consumable Products/Maintenance Parts” on page 146 for instructions on replacing the toner cartridge.

## Non-Genuine Toner uuuu

The installed toner cartridge is not a genuine Epson toner cartridge. The printout and remaining service lives of the toner cartridges displayed on the control panel may be different from those when using genuine Epson toner cartridges. Epson shall not be liable for any damages or problems arising from the use of consumable products not manufactured or approved by Epson. Installing a genuine toner cartridge is recommended. Press the **Start/Stop** button on the control panel to resume printing.

## Offline

The printer is not ready to print. Press the **Start/Stop** button.

## Option Unit Error yyy

The printer cannot recognize the installed optional product. Remove the optional product and reinstall it.

### **Optional RAM Error**

The optional memory module may be corrupted or incorrect. Replace it with a new one.

### **Paper Out tttt sssss**

There is no paper in the specified paper source (tttt). Load paper of the size (ssssss) into the paper source.

### **Paper Set tttt sssss**

The paper loaded in the specified paper source (tttt) does not match the required paper size (ssssss). Replace the loaded paper with the correct size paper and press the **Start/Stop** button to resume printing, or press the **Pause/Cancel** button to cancel the print job.

If you press the **Start/Stop** button without replacing the paper, the printer will print on the loaded paper even though it does not match the required size.

### **Password Changed**

The password has been changed successfully.

### **Photocon Trouble uuuu**

There is a problem with the photoconductor unit of the indicated color. Remove the photoconductor unit and reinsert it. If that fails to clear the error, replace the photoconductor unit. To install the photoconductor unit, see “Replacing Consumable Products/Maintenance Parts” on page 146.

### **Photocon uuuu Needed Soon**

This message indicates that the photoconductor unit of the indicated color is near the end of its service life. You can continue to print until the `Replace Photocon uuuu` message appears.

### **Please wait**

Wait a few seconds. Do not open the covers or turn off the printer while this message is displayed.

### **Preheat Mode**

The printer is in the preheat mode. You can change the time to enter the mode on `Time to Preheat` in `Setup Menu`.

### **Print Overrun**

The required time to process the print data exceeded the print engine speed because the current page is too complex. Press the **Start/Stop** button to resume printing, or press the **Pause/Cancel** button to cancel the print job. If this message appears again, select `On` as the `Page Protect` setting in the control panel's `Setup Menu` or select **Avoid Page Error** on the printer driver.

If you continue to receive this message when printing a particular page, try simplifying the page by limiting the number of graphics or reducing the number and size of fonts.

To avoid this error, it is recommended that you set the `Page Protect` setting to `On` and add more memory to the printer. See “Setup Menu” on page 69 and “Memory Module” on page 136 for details.

### **PS3 CompactFlash Full**

The memory allocated for writing PostScript 3 commands on the optional CompactFlash memory is full.

To clear this error, select `Clear Warning` from the control panel's `Reset Menu`. For instruction about accessing the control panel menus, see “How to access the control panel menus” on page 60.

### **RAM CHECK**

The printer is checking the RAM.

### **Ready**

The printer is ready to receive data and print.

### **Reboot to apply settings**

You selected `No` when `Do you want to reboot to apply the settings?` was displayed. To clear this error, select `Clear Warning` from the control panel's `Reset Menu`. See “How to access the control panel menus” on page 60 for instructions.

### **Remove paper from output tray**

The output tray reached the maximum capacity. Removing the printouts will print the rest of the print job.

**Remove paper from Staple Stacker**

Stapling failed. Make sure that only paper sizes compatible with stapling are selected for the printing job.

To clear this error, remove the jammed paper in the paper ejection part of the stapler/stacker unit, and then open and close cover M.

For details, see “Problems Using Stapler/Stacker Unit” on page 122.

**Remove photocon protective tape uuuu**

The protective tape is still on the photoconductor unit. Remove the photoconductor unit from the printer, remove the protective tape, and then reinstall the photoconductor unit.

For details, see the instructions that come with the photoconductor unit.

**Replace Feed Roller MP, Replace Feed Roller C1, Replace Feed Roller C2, Replace Feed Roller C3, Replace Feed Roller C4, Replace Feed Roller C5**

The feed roller has reached the end of its service life and needs to be replaced. If this error occurs, consult your dealer.

**Replace Fuser**

The fuser has reached the end of its service life and needs to be replaced. For details about replacement, see the instructions that come with the fuser unit.

**Replace Photocon uuuu**

The indicated photoconductor unit has reached the end of its service life and need to be replaced. See “Replacing Consumable Products/Maintenance Parts” on page 146 for instructions.

**Replace Staple Cartridge**

Replace the staple cartridge. See the label on the 1000-Sheet Stapler/Stacker Unit for instructions.

**Replace Toner uuuu**

The indicated toner cartridge has reached the end of its service life and need to be replaced. See “Replacing Consumable Products/Maintenance Parts” on page 146 for instructions.

**Replace Toner uuuu Print in monochrome?**

The indicated toner cartridge has reached the end of its service life and need to be replaced. See “Replacing Consumable Products/Maintenance Parts” on page 146 for instructions. This message appears only when `Convert to Monochrome` is set to `On`, and the black toner is still left. You can print in black-and-white by pressing the **Start/Stop** button.

### **Replace Transfer Unit**

The indicated transfer unit has reached the end of its service life and needs to be replaced. If this error occurs, consult your dealer.

### **Replace Waste Toner Box**

The waste toner collector has reached the end of its service life and needs to be replaced. See “Replacing Consumable Products/Maintenance Parts” on page 146 for instructions.

### **Reserve Job Canceled**

The printer cannot store the data of your print job using the Reserve Job function. The maximum number of print jobs stored on the printer’s memory has been reached, or the memory has no more memory available to store a new job. To store a new print job, delete a previously stored job. Also, if you have any Confidential Jobs stored, printing those jobs will make more memory available.

You may also increase the available memory space by changing the `RAM Disk` setting to `Normal` or `Maximum`. For details, see “Setup Menu” on page 69.

To clear this error, select `Clear Warnings` from the control panel’s `Reset Menu`. For instruction about accessing the control panel menus, see “How to access the control panel menus” on page 60.

### **Reset**

The printer’s current interface has been reset and the buffer has been cleared. However, other interfaces are still active and retain their settings and data.

### **Reset All**

All printer’s interface has been reset and the buffer has been cleared. The printer reboots automatically.

### **Reset to Save**

A control panel menu setting was changed while the printer was printing. Press the **Start/Stop** button to clear this message. The setting will become effective after printing has finished.

Alternatively you can clear this message by performing **Reset** or **Reset All** on the control panel. However, the print data will be deleted.

### **ROM CHECK**

The printer is checking the ROM.

### **SELF TEST**

The printer is currently performing a self test and initialization.

### **Service Req Cffff/Service Req Eggg**

A controller error or a print engine error has been detected. Turn off the printer. Wait at least 5 seconds, then turn it back on. If the error message still appears, write down the error number listed on the LCD panel (Cffff/Exxx), turn off the printer, unplug the power cord, then contact a qualified service representative.

### **Set Lever xx to ppp Position**

The position of lever J (xx) does not match the required printing job. Open cover B and set lever J to the ppp position. ppp represents either **Envelope** or **Normal**.

### **Sleep**

The printer is currently in the power-save mode. This mode is canceled when the printer receives print data.

### **Stacker Error yyy**

There is a problem with the stapler/stacker unit.

To clear this error, turn off the printer and remove the unit. Then reinstall it and turn the power back on. See the label on the 1000-Sheet Stapler/Stacker Unit for instructions.

If that fails to clear the message, contact your dealer.

### **Toner Cartridge Error uuuu**

A read/write error has occurred for the indicated toner cartridges. (The color **Cyan(C)**, **Magenta(M)**, **Yellow(Y)**, or **Black(K)** appears in place of uuuu.)

Remove the toner cartridges and reinsert them. If that fails to clear the error, replace the toner cartridges.

To install the indicated cartridges. See “Replacing Consumable Products/Maintenance Parts” on page 146.

### **Toner Low (uuuu Toner Low)**

This message indicates that the toner cartridge for the indicated color is near the end of its service life. Prepare a new toner cartridge.

### **Transfer Unit Needed Soon**

This message indicates that the transfer unit is near the end of its service life. You can continue to print until the `Replace Transfer Unit` message appears.

### **Transfer Unit Trouble**

There is a problem with the transfer unit. Remove the transfer unit and reinsert it. If that fails to clear the error, replace the transfer unit. For details about replacement, see the instructions that come with the transfer unit.

### **Turning off Please wait**

The printer is entering the power off mode.

### **Unable Clear Error**

The printer cannot clear an error message because the error status still remains. Try solving the problem again.

### **Warming Up**

The printer is warming up the fuser to be ready to print.

### **Waste Toner Box Near Full**

The waste toner collector is near full of toner.

### **Write Error ROM P**

This message indicates an internal error in the printer. Reset the printer. If this error persists, consult your dealer.

### Writing ROM P

This message indicates that a ROM module in the slot is being written. Please wait until this message disappears.

### Wrong Fuser

An inappropriate fuser unit is installed. Install only the fuser unit listed in “Maintenance Parts” on page 28.



**Caution:**

*If the printer has been in use, the fuser and the surrounding areas may be very hot. If you must touch one of these areas, turn off the printer and wait 30 minutes to allow the heat to subside before doing so.*

### Wrong Password

No print jobs have been saved with the password you entered.

### Wrong Photocon uuuu

An inappropriate photoconductor unit is installed. Install only the photoconductor unit listed in “Consumable Products” on page 27.

See “Replacing Consumable Products/Maintenance Parts” on page 146 for instructions on replacing the photoconductor unit. (The letters C, M, Y, or K appear in place of uuuu and indicate the colors Cyan, Magenta, Yellow, and Black respectively.)

### Wrong Toner Cartridge uuuu

An inappropriate toner cartridge is installed. Install only the toner cartridge listed in “Consumable Products” on page 27.

See “Replacing Consumable Products/Maintenance Parts” on page 146 for instructions on replacing the toner cartridge. (The letters C, M, Y, or K appear in place of uuuu and indicate the colors Cyan, Magenta, Yellow, and Black respectively.)

### Wrong Transfer Unit

An inappropriate transfer unit is installed. Install only the transfer unit listed in “Maintenance Parts” on page 28.



---

## Printing and Deleting Reserve Job Data

Print jobs stored on the printer's memory using the Re-Print Job, Verify Job, and Stored Job options of the Reserve Job function can be printed and deleted using the control panel's Quick Print Job Menu. Jobs saved using the Confidential Job option can be printed from the Confidential Job Menu. Follow the instructions in this section.

### Note:

- ❑ *The RAM Disk setting on the control panel must be set to Normal or Maximum to use the Reserve Job function. We recommend installing optional memory to use this function. For instructions about increasing your printer's memory, see "Installing a memory module" on page 136.*
- ❑ *Installing CompactFlash memory on your printer also enables the Reserve Job function. Note that the RAM disk is not available when you install CompactFlash memory on the printer.*

## Using the Quick Print Job Menu

Follow the steps below to print or delete Re-Print Job, Verify Job, and Stored Job data.

1. Make sure the LCD panel displays `Ready` or `Sleep`, then press the ► **Right** button to access the control panel menus.
2. Press the ▼ **Down** button repeatedly until `Quick Print Job Menu` appears on the LCD panel, then press the ► **Right** button.
3. Use the ▼ **Down** or ▲ **Up** button to scroll to the appropriate user name, then press the ► **Right** button.
4. Use the ▼ **Down** or ▲ **Up** button to scroll to the appropriate job name, then press the ► **Right** button.
5. Press the ► **Right** button, then use the ▼ **Down** and ▲ **Up** buttons to select the number of copies.

To delete the print job without printing any copies, press the ▼ **Down** button to display `Delete` on the LCD panel.

6. Press the ► **Right** button to start printing or to delete the data.

## Using the Confidential Job Menu

Follow the steps below to print or delete Confidential Job data.

1. Make sure the LCD panel displays `Ready` or `Sleep`, then press the ► **Right** button to access the control panel menus.
2. Press the ▼ **Down** button repeatedly until `ConfidentialJobMenu` appears on the LCD panel, then press the ► **Right** button.
3. Use the ▼ **Down** or ▲ **Up** button to scroll to the appropriate user name, then press the ► **Right** button.
4. Enter your four-digit password.

To enter the password, press the ▼ **Down** or ▲ **Up** button to select the character and press the ► **Right** button to determine the character. After all characters are determined, press the ► **Right** button.

**Note:**

*If no print jobs have been saved with the password you entered, `Wrong Password` appears briefly on the LCD panel then the printer exits the control panel menus. Confirm the password and try again.*

5. Use the ▼ **Down** or ▲ **Up** button to scroll to the appropriate job name, then press the ► **Right** button.
6. Use the ▼ **Down** or ▲ **Up** button to display `Print`.

To delete the print job, press the ▼ **Down** or ▲ **Up** button to display `Delete` on the LCD panel.

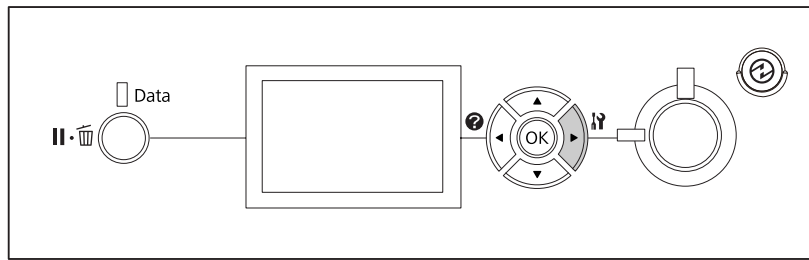
7. Press the ► **Right** button to start printing or to delete the data.

---

## Printing a Configuration Status Sheet

1. Turn on the printer. The LCD panel shows `Ready`.

2. Press the ► **Right** button three times. The printer prints a configuration status sheet.



3. Confirm that the information about the installed options is correct. If the options are installed correctly, they appear under Hardware Configuration. If the options are not listed, try reinstalling them.

**Note:**

- ❑ *If the configuration status sheet does not list your installed options correctly, make sure that they are securely connected to the printer.*
- ❑ *If you are unable to get the printer to print a correct configuration status sheet, contact your dealer.*
- ❑ *Print the configuration status sheet on A4 size paper.*

---

## Canceling Printing

You can cancel printing from your computer by using the printer driver.

To cancel a print job before it is sent from your computer, see “Canceling Printing” on page 180.

## Using the Pause/Release button

The **Pause/Cancel** button on your printer is the quickest and easiest way to cancel printing. Pressing this button cancels the currently printing job or the specified print job in the printer’s memory.

Follow the steps below to cancel the job.

1. Press the **Pause/Cancel** button.
2. Press the **Down** or **Up** button to select the job that you want to cancel, then press the **OK** button.

3. Press the **▼ Down** or **▲ Up** button to select `Cancel Job`, then press the **OK** button. Printing is canceled.

**Note:**

- ❑ *Select `Cancel All Jobs` on step 3 to cancel all print jobs in the printer's memory.*
- ❑ *The operation is canceled and printing restarts one minute after the printer is not operated.*
- ❑ *After canceling jobs is completed, the printer recovers from pause.*

## Using the Reset menu

Selecting `Reset` from the control panel's `Reset Menu` stops printing, clears the print job being received from the active interface, and clears errors that may have occurred at the interface.

Follow the steps below to use the `Reset Menu`.

1. Press the **▶ Right** button to access the control panel menus.
2. Press the **▼ Down** button several times until `Reset Menu` appears on the LCD panel, then press the **▶ Right** button.
3. Press the **▼ Down** button several times until `Reset to display`.
4. Press the **▶ Right** button. Printing is canceled. The printer is ready to receive a new print job.

---

## Interrupting Printing

If the printer is shared, it is possible to interrupt the current print job to print a different print job.

Follow the steps below to use this function.

1. Press the **⏸️ Pause/Cancel** button to stop the current print job.
2. Press the **▼ Down** or **▲ Up** button to select the job that you want to print, then press the **OK** button.
3. Press the **▼ Down** or **▲ Up** button to select `Interrupt Printing`, then press the **OK** button.

**Note:**

*The operation is canceled and the printing restarts one minute after the printer is not operated.*

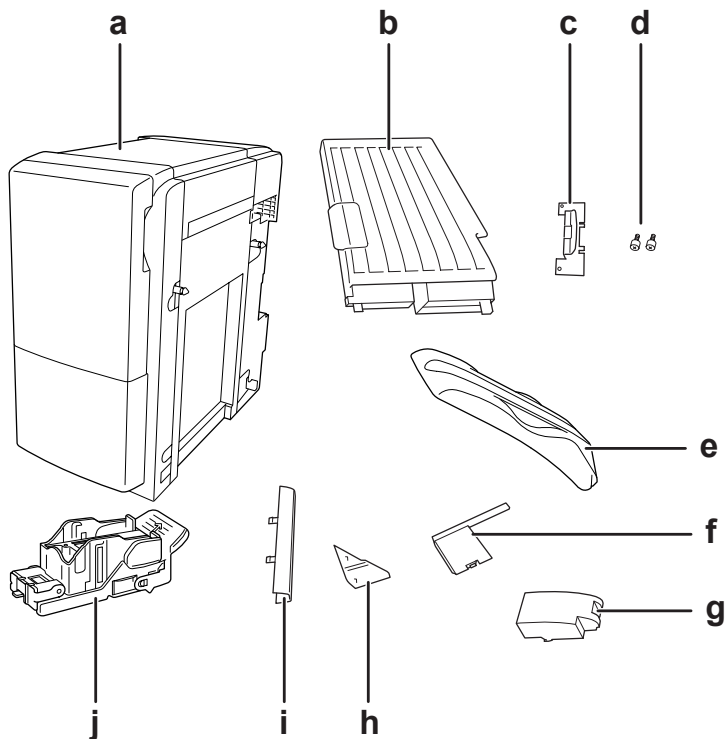
## Chapter 4

# Using Optional Stapler/Stacker Unit

## Installing/Removing Stapler/Stacker Unit

### Installing the stapler/stacker unit

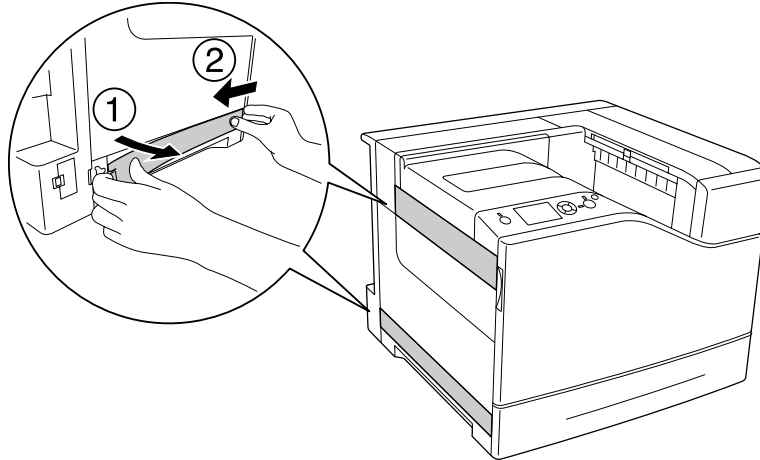
1. Turn the printer off and unplug the power cord and interface cable.
2. Confirm the bundled items.



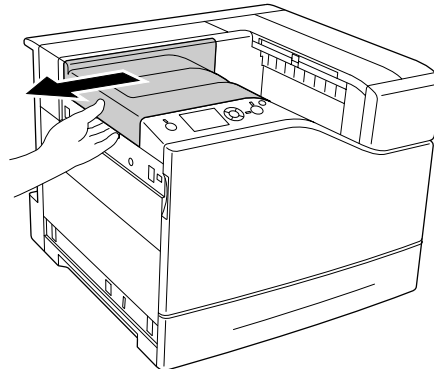
a.	stapler/stacker unit	b.	cover L unit
c.	bracket	d.	screws
e.	stacker tray	f.	upper connector cover
g.	lower connector cover	h.	upper cover

i.	lower cover	j.	staple cartridge
----	-------------	----	------------------

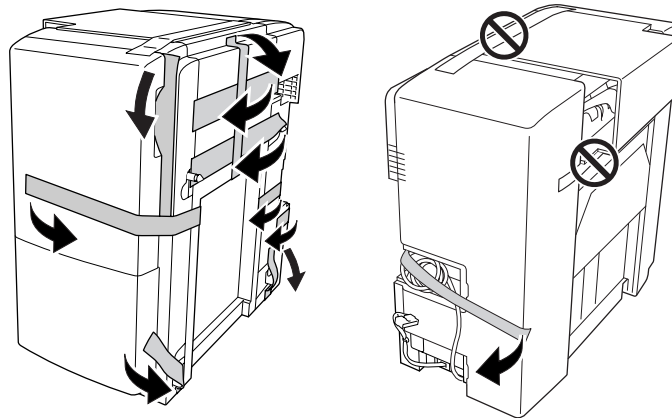
3. Remove the two option covers.



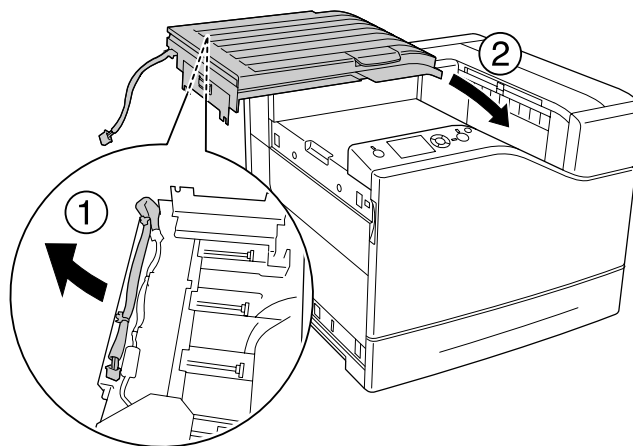
4. Remove the output tray.



5. Remove packing tapes from the stapler/stacker unit. Do not remove the two pieces of tape bearing warning icons as shown in the illustration.

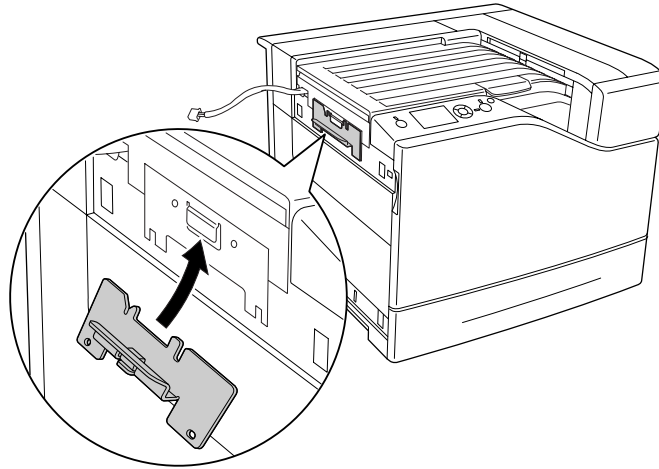


6. Take out the cable of the cover L unit and install it to the printer.

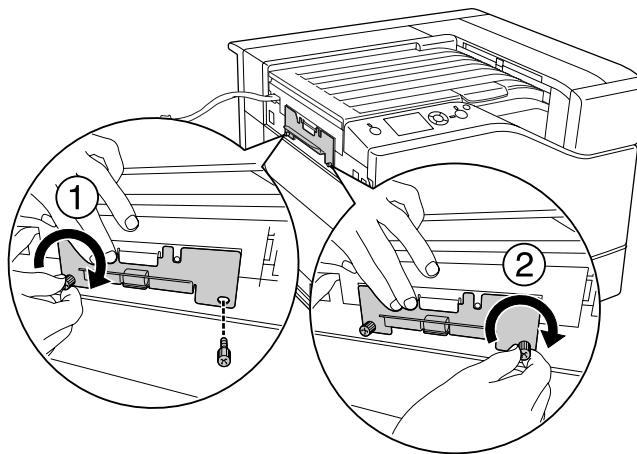




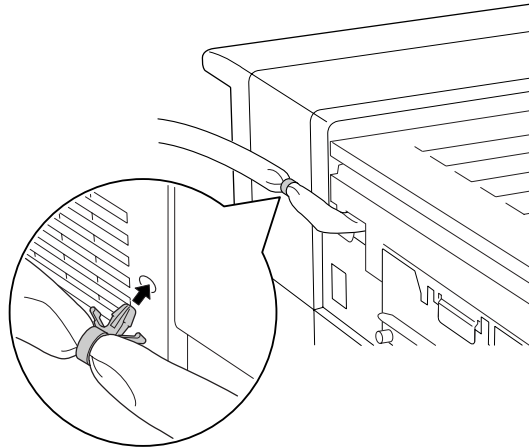
7. Insert the bracket as shown below and hold it in place.



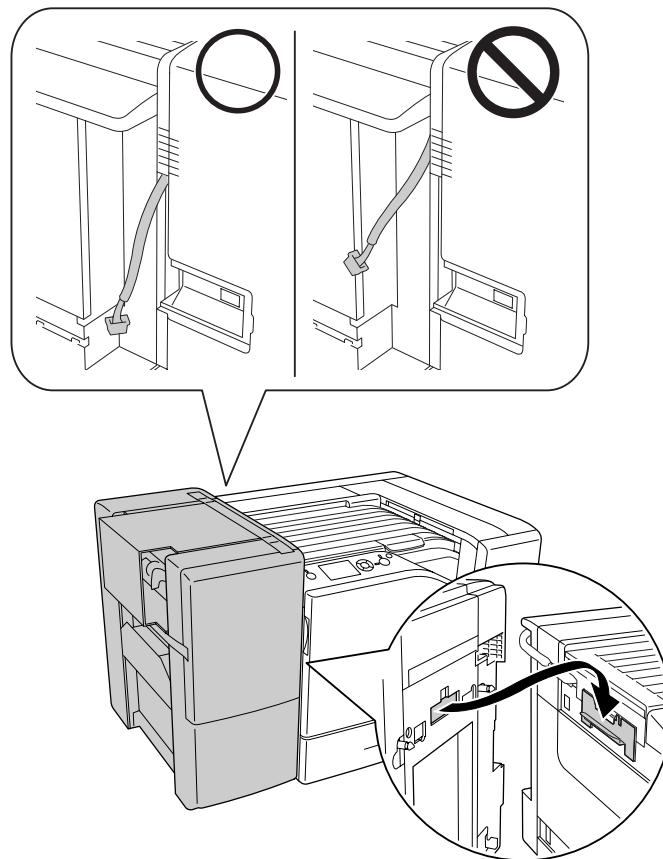
8. Use the two screws to attach the bracket.



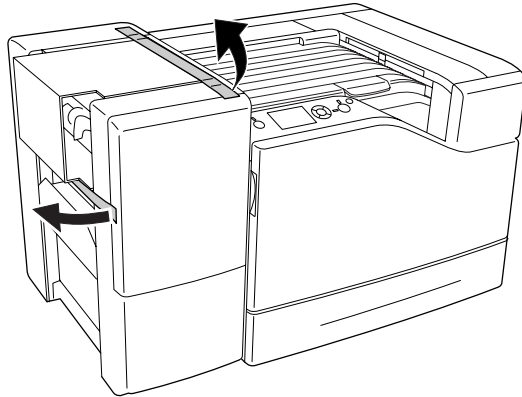
9. Attach the cable clamp.



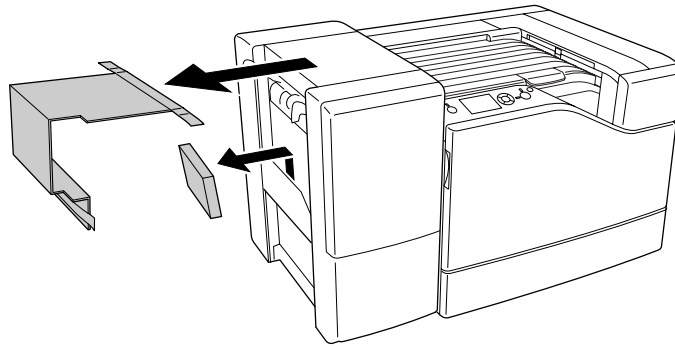
10. Install the stapler/stacker unit. Make sure that the cable is not stuck between the printer and the unit.



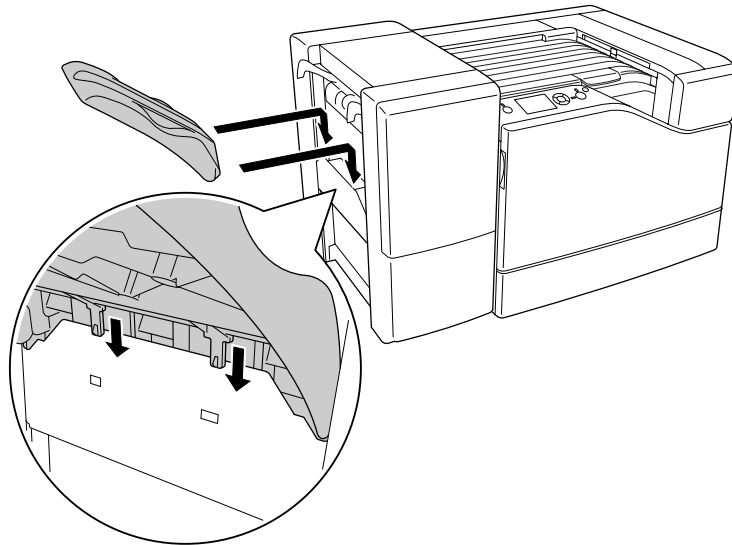
11. Remove the two pieces of tape that were left on in step 5.



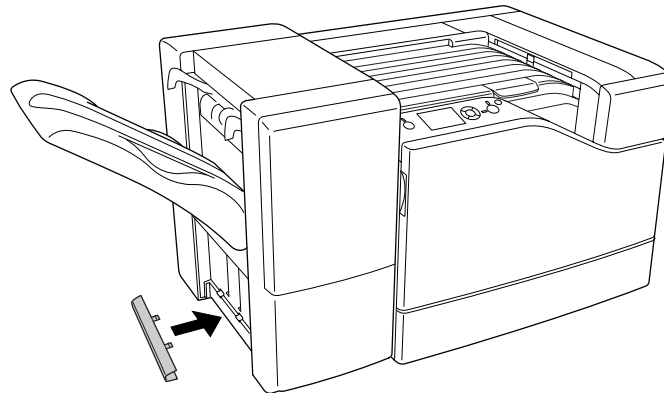
12. Remove the cardboard and protective material.



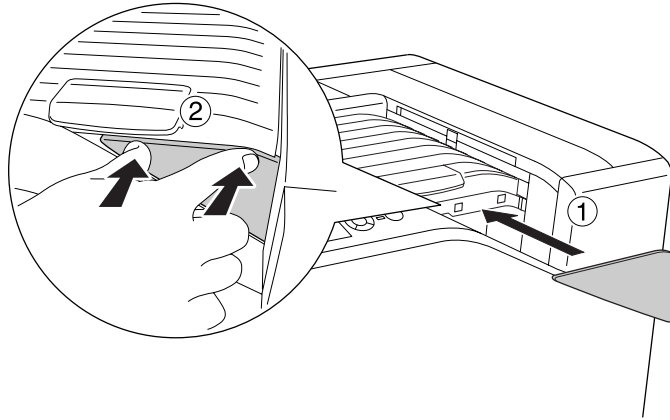
13. Install the stacker tray. Make sure that the two claws go as shown below.



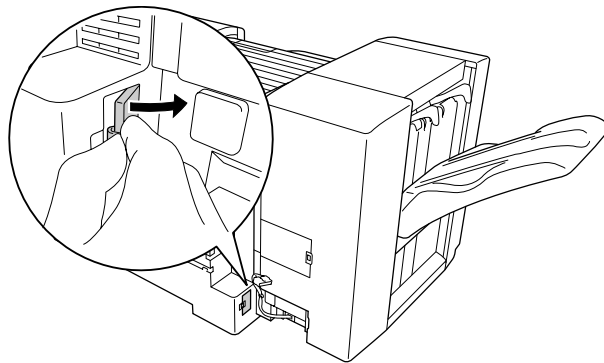
14. Install the lower cover.



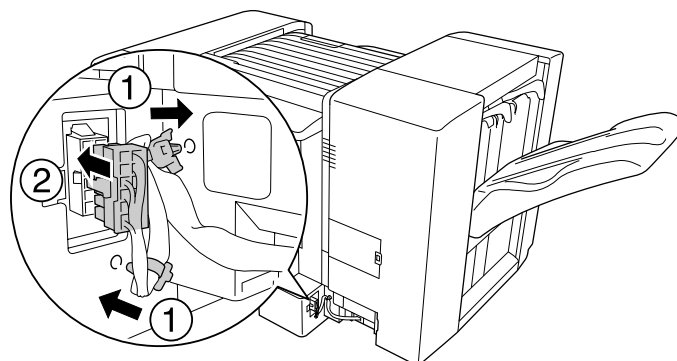
15. Install the upper cover.



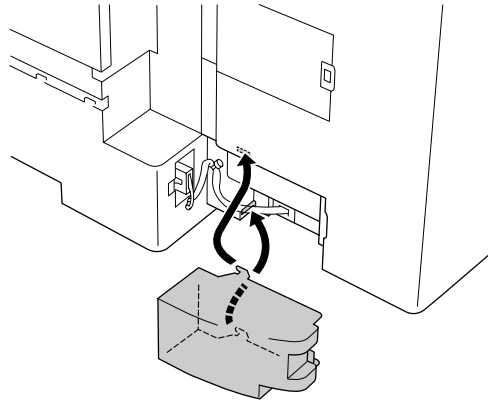
16. Remove the cover on the printer.



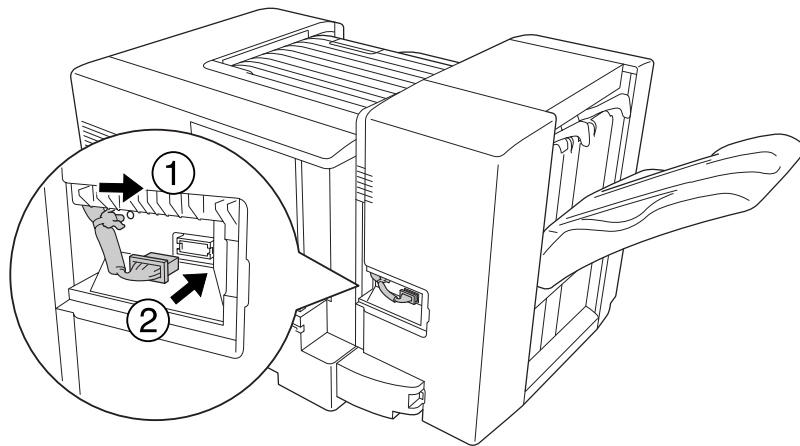
17. Attach the cable clamps of the stapler/stacker unit and plug the connector into the connector on the printer.



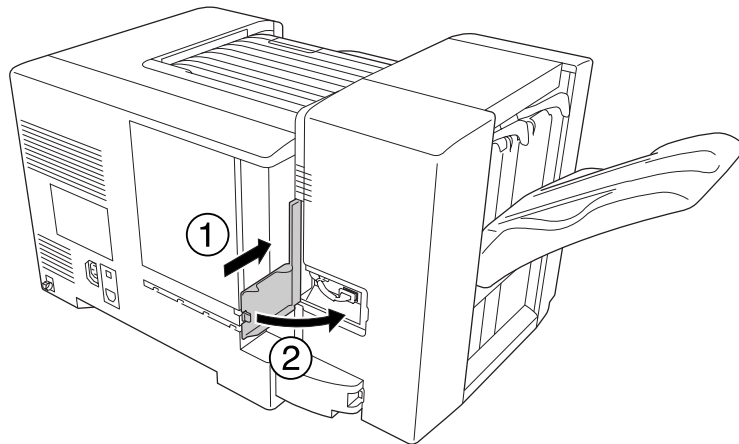
18. Install the lower connector cover.



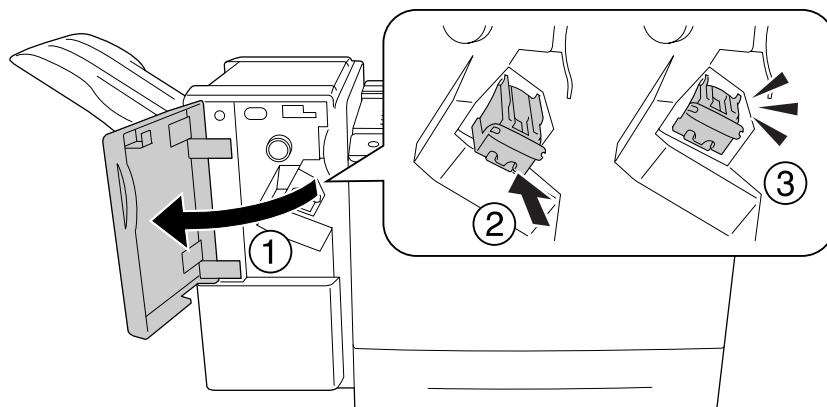
19. Attach the cable clamp of the cover L unit and plug the connector into the connector on the printer.



20. Install the upper connector cover as shown below.



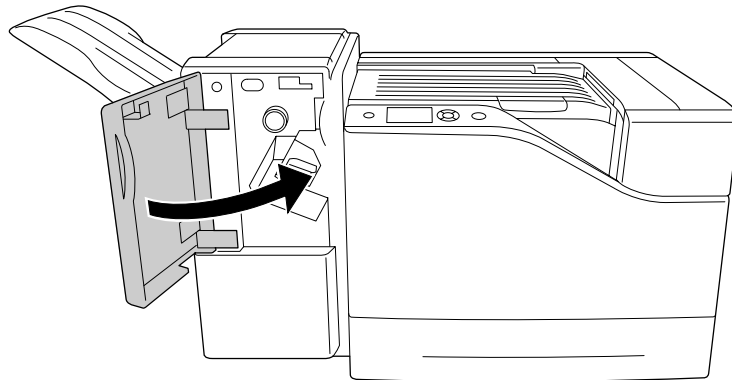
21. Open cover M and insert the staple cartridge until it stops.



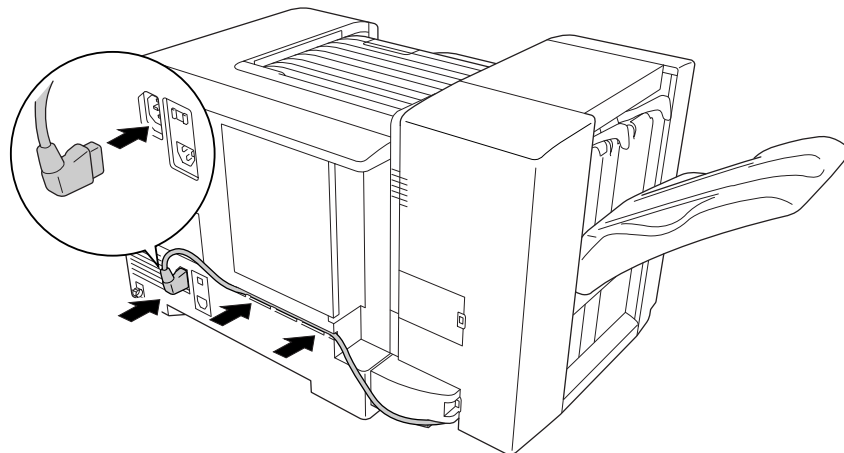
**Caution:**

*Do not reach into the area in which staples are loaded. If any staples are still in there, they could cause an injury.*

22. Close cover M.



23. Connect the power cord of the stapler/stacker unit to the power supply socket on the printer.



24. Reconnect the interface cable and power cord and turn the printer on.

To confirm that the option is installed correctly, print a configuration status sheet. See “Printing a Configuration Status Sheet” on page 106.

**Note for Windows users:**

*If EPSON Status Monitor is not installed, you have to make settings manually in the printer driver.*

## **Removing the stapler/stacker unit**

Perform the installation procedure in reverse.



---

## Printing with Stapler/Stacker Unit

### Stapling function

This function allows you to staple a job document or each set of copies. To use this function, set as following instructions below in the printer driver.

1. Click the **Basic Settings** tab.
2. Select **Staple** from the Output Tray drop-down list.

#### **Note:**

- Do not use the Collate Number setting on the Watermark and Header/Footer function.*
- Set the same size of paper for the entire document, the paper size must be supported by the stapling function.*
- Select one set for Copies to print with staples in the following conditions:*
  - When printing after printing to a file from the printer driver.*
  - When printing directly from an application without using the printer driver provided by Epson.*
- Offset stacking is used when Staple is selected.*

### Offset function

This function allows you to offset the position of printouts from side to side so that you can identify one set of copies from another. To use this function, set as following instructions below in the printer driver.

1. Click the **Basic Settings** tab.
2. Select **Offset Stacking** from the Output Tray drop-down list.

## Problems Using Stapler/Stacker Unit

### Cannot staple

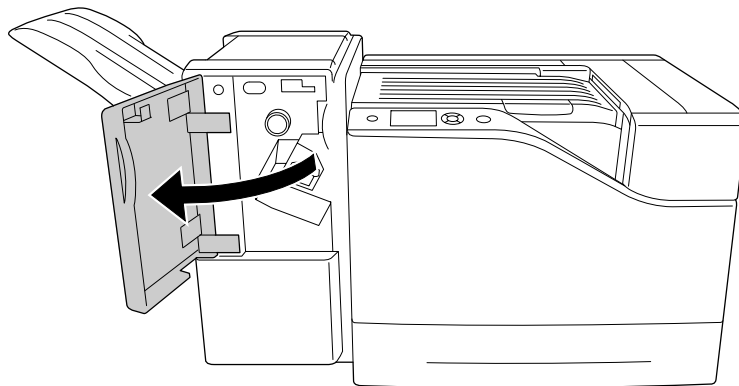
Pressing the **Start/Stop** button will print the rest of the print job without stapling. To continue stapling, check the following points.

Cause	What to do
There are only a few staples left.	Replace the staple cartridge. See the label on the 1000-Sheet Stapler/Stacker Unit for instructions.
There may be a problem with the staples.	Remove the staple cartridge to see if there is any problem with it, and then reinstall it.
You may not be using the correct paper for stapling.	Use paper which is compatible for stapling. For details about the available paper types, see "1100-Sheet Paper Cassette Unit" on page 207.

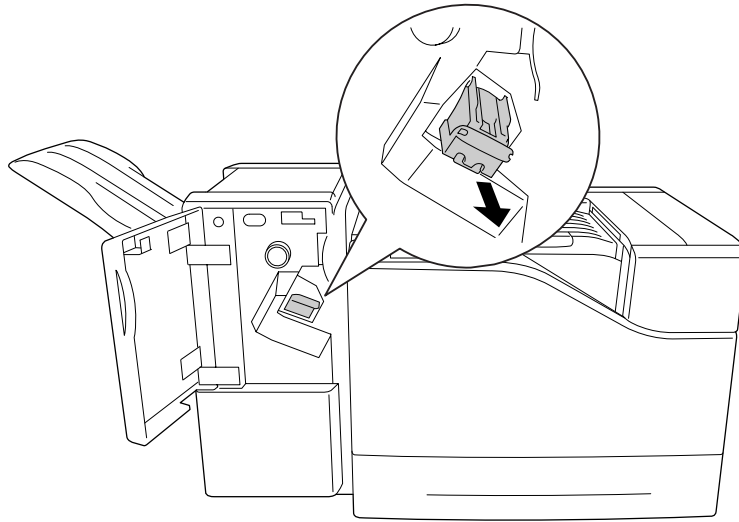
### Staple Jam

Follow the instructions below to remove the jammed staples.

1. Open cover M.

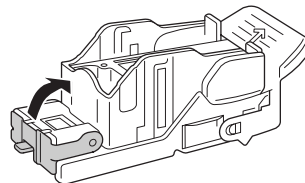


2. Remove the staple cartridge.

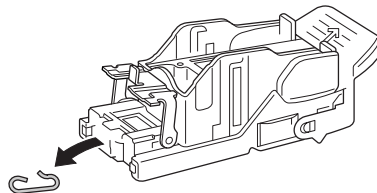
**Caution:**

*Do not reach into the area in which staples are loaded.  
If any staples are still in there, they could cause an injury.*

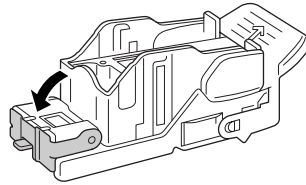
3. Lift up the metal part of the staple cartridge.



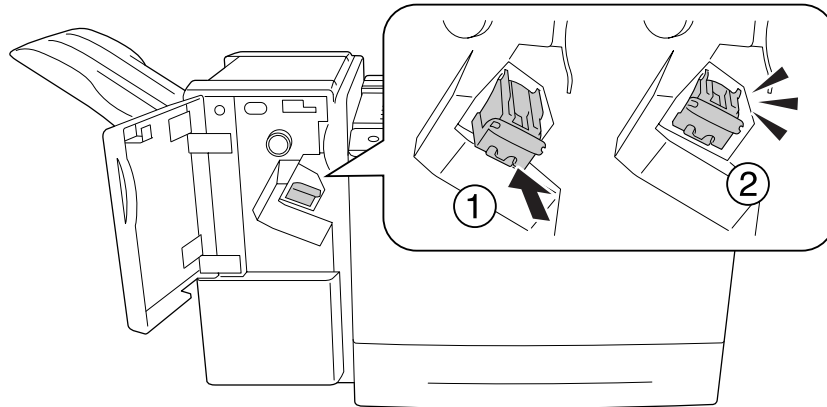
4. Remove the jammed staples in the staple cartridge.



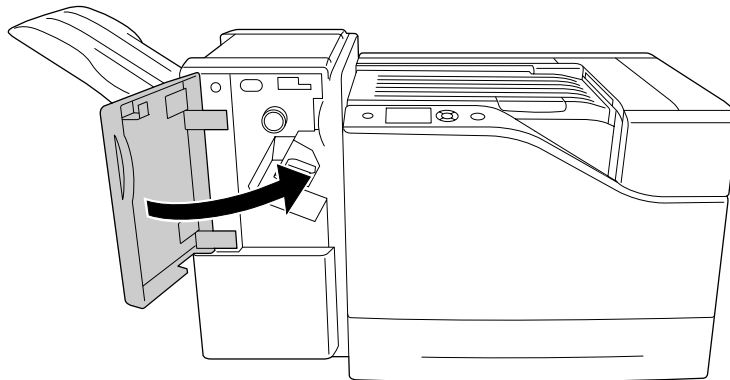
5. Close the metal part of the staple cartridge.



6. Insert the staple cartridge until it stops.



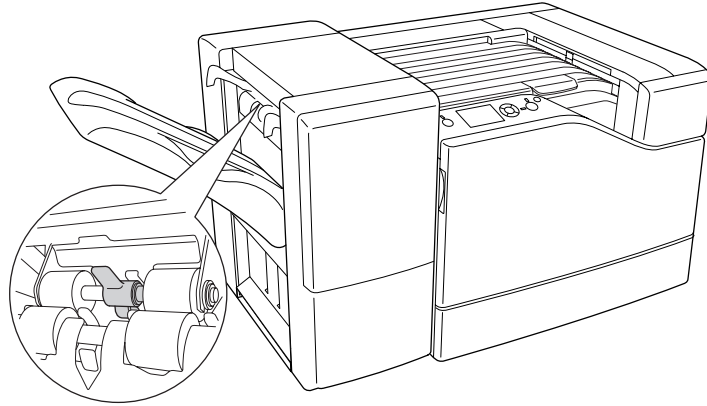
7. Close cover M.



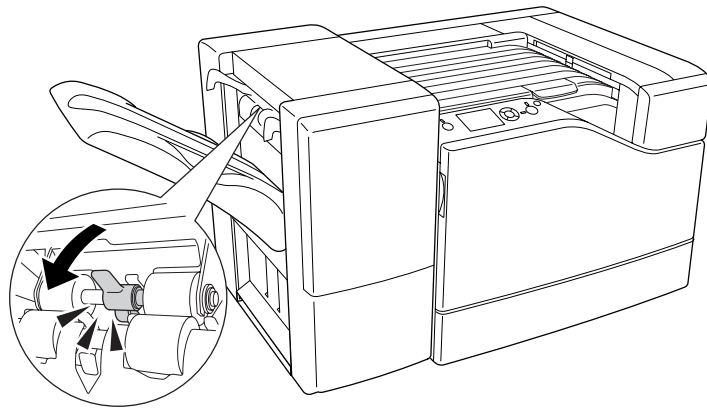
### ***Cannot eject paper from the stacker unit correctly***

If the paper is falling down or does not shift correctly while being ejected, first check if the paper is supported by the stacker unit. See “1000-Sheet Stapler/Stacker Unit” on page 208 for details about specifications for supported paper.

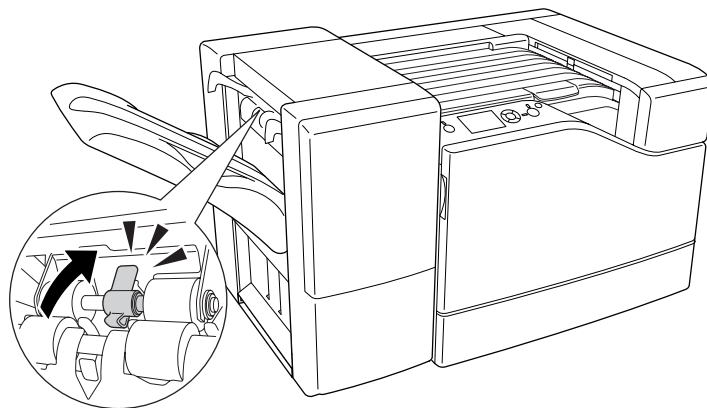
If this does not resolve the problem, check the position of the lever described below.



To feed paper, except envelopes, tilt the lever forward.



To feed envelopes, tilt the lever backward.



## Chapter 5

### **Installing Options**

---

#### **Optional Paper Cassette Unit**

---

For details about the paper types and sizes that you can use with the optional paper cassette unit, see “Lower paper cassette” on page 32. For specifications, see “550-Sheet Paper Cassette Unit” on page 206 and “1100-Sheet Paper Cassette Unit” on page 207.

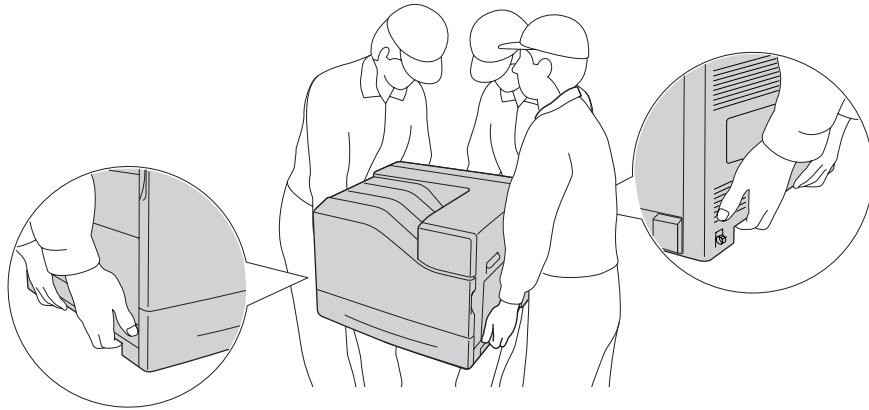
You can install up to two 550-Sheet Paper Cassette Units and one 1100-Sheet Paper Cassette Unit. The available combinations of optional paper cassette units are as follows.

- 550-Sheet Paper Cassette Unit x 1
- 550-Sheet Paper Cassette Unit x 2
- 550-Sheet Paper Cassette Unit x 1 + 1100-Sheet Paper Cassette Unit
- 550-Sheet Paper Cassette Unit x 2 + 1100-Sheet Paper Cassette Unit
- 1100-Sheet Paper Cassette Unit

#### **Handling precautions**

Always pay attention to the following handling precautions before installing the option:

The printer weighs about 43 kg (95 lb). One person should never attempt to lift or carry it alone. Three people should carry the printer, lifting it from the positions shown below.



**Caution:**

*If you lift the printer incorrectly, you could drop it and cause injury.*

## **Installing the optional paper cassette unit**

### **550-Sheet Paper Cassette Unit**

1. Turn the printer off and unplug the power cord and interface cable.

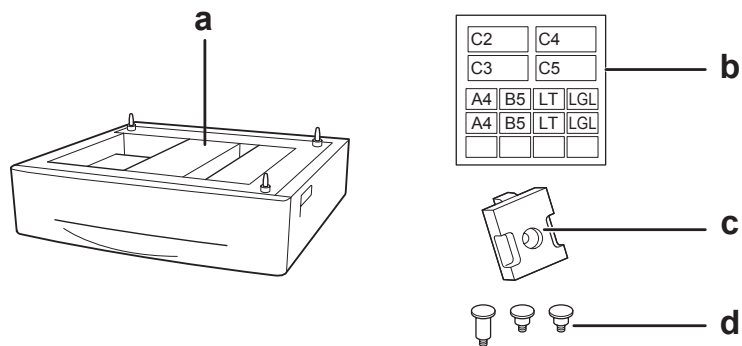


**Important:**

*Make sure to unplug the power cord from the printer to prevent getting an electrical shock.*

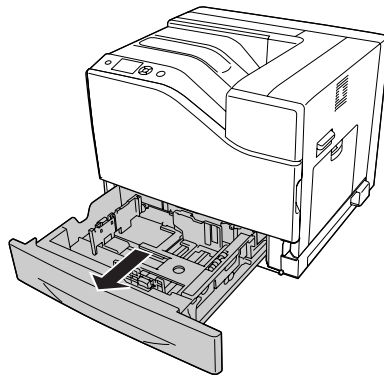
2. Carefully take the optional paper cassette unit out from its carton and place it where you intend to set up the printer.

3. Confirm the bundled items.



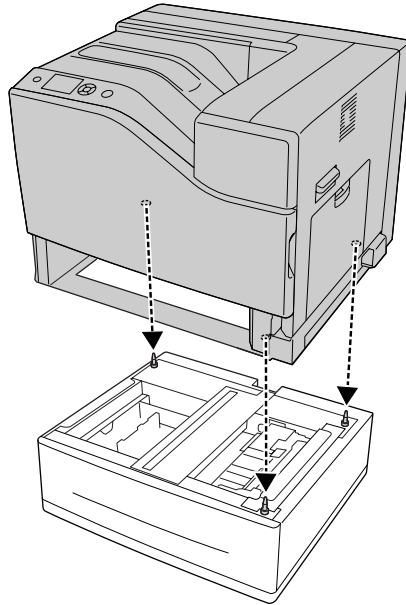
- a. optional paper cassette unit
- b. label
- c. plate
- d. screws

4. Pull out the standard lower paper cassette.



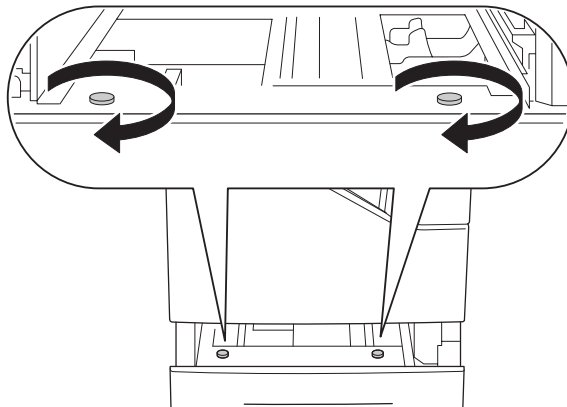


5. Align each of the holes on the printer with the guide pins of the optional paper cassette unit, and then lower the printer until it resets securely on the unit.

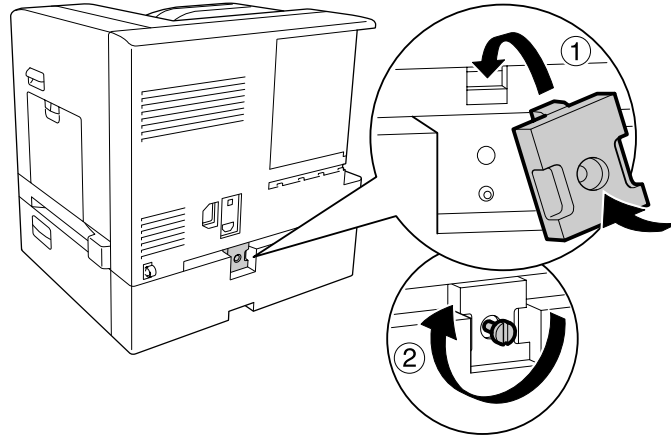


**Note:**

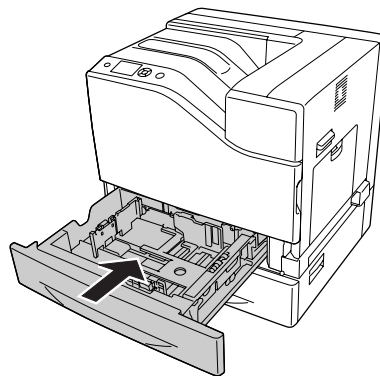
- ❑ *The printer should be carried by at three people.*
  - ❑ *Lower the printer carefully so that the three guide pins on the optional paper cassette unit go into the holes at the bottom of the printer. If the printer leans against the optional paper cassette unit, the connector may be damaged.*
6. Attach the optional paper cassette unit to the printer with the two short screws.



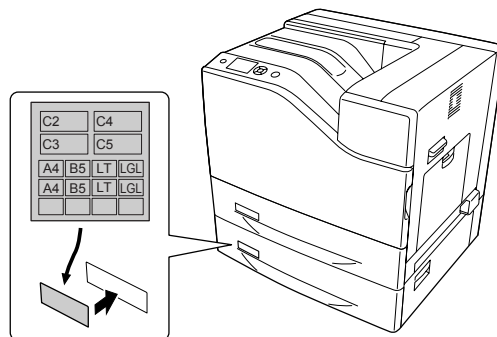
7. Attach the plate and fix the printer to the optional cassette unit with a screw.



8. Reinsert the paper cassette.



9. Affix the labels onto the front of the paper cassettes.



10. Load a stack of the desired paper with the printable surface facing up.

11. Reconnect the interface cable and power cord, and then turn the printer on.

To confirm that the option is installed correctly, print a configuration status sheet. See “Printing a Configuration Status Sheet” on page 166.

**Note for Windows users:**

If EPSON Status Monitor is not installed, you have to make settings manually in the printer driver. Select **Manual Settings** on the Optional Settings tab. Then select **Cassette 2** or **Cassette 3** from the Optional Paper Sources list on the Optional Settings dialog box based on the installed options and click **OK**.

### 1100-Sheet Paper Cassette Unit

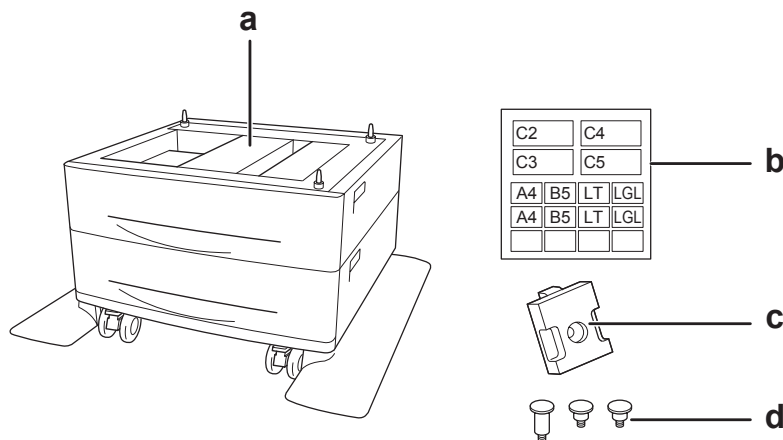
1. Turn the printer off and unplug the power cord and interface cable.



**Important:**

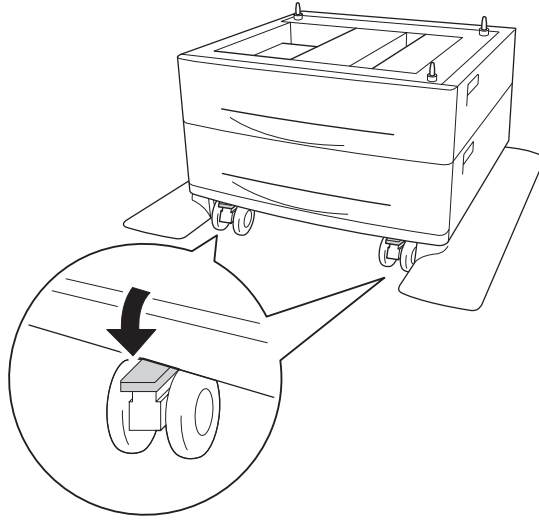
*Make sure to unplug the power cord from the printer to prevent getting an electrical shock.*

2. Carefully take the optional paper cassette unit out from its carton and place it where you intend to set up the printer.
3. Confirm the bundled items.

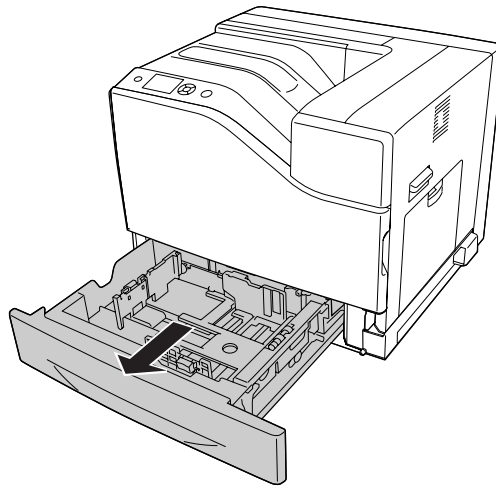


- a. optional paper cassette unit
- b. label
- c. plate
- d. screws

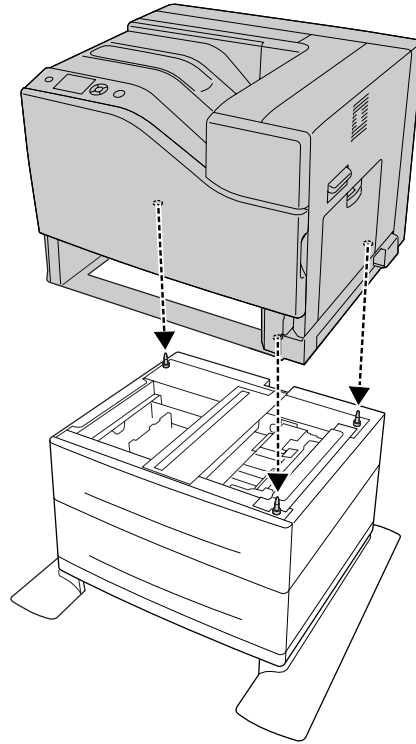
4. Lock the front casters.



5. Pull out the standard lower paper cassette.



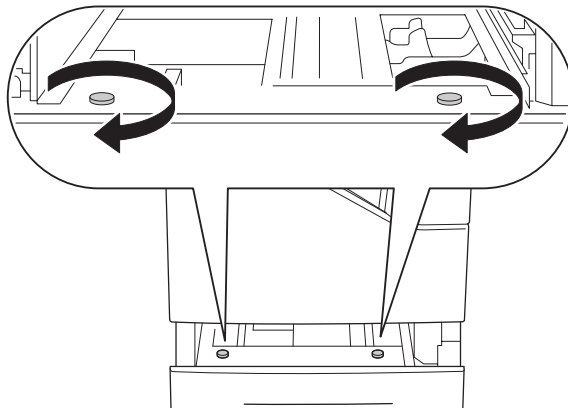
6. Align each of the holes on the printer with the guide pins of the optional paper cassette unit, and then lower the printer until it resets securely on the unit.



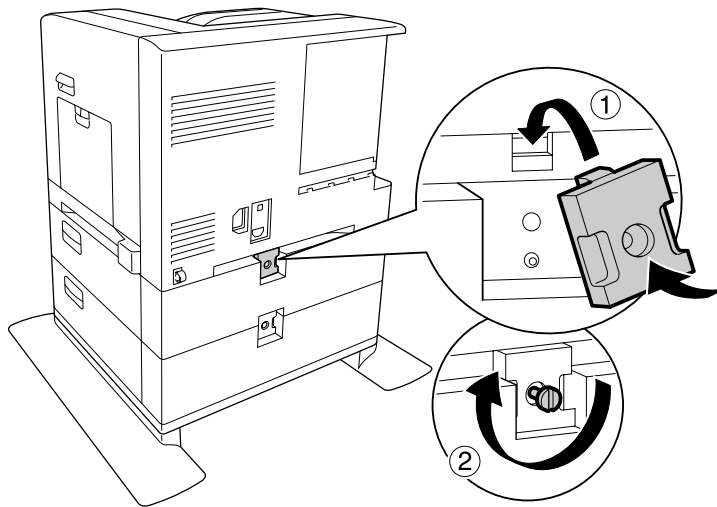
**Note:**

- ❑ *The printer should be carried by at three people.*
- ❑ *Lower the printer carefully so that the three guide pins on the optional paper cassette unit go into the holes at the bottom of the printer. If the printer leans against the optional paper cassette unit, the connector may be damaged.*

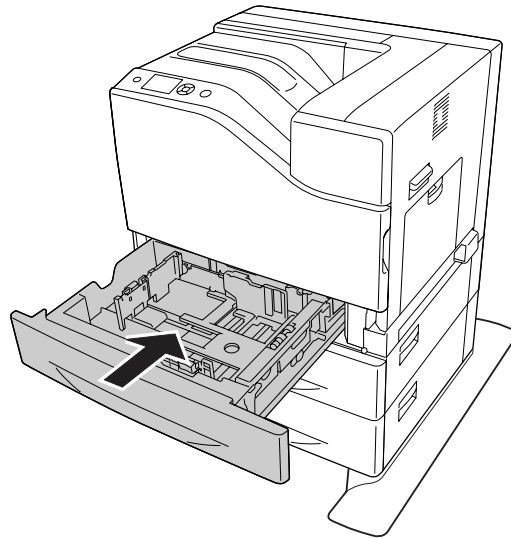
7. Attach the optional paper cassette unit to the printer with the two short screws.



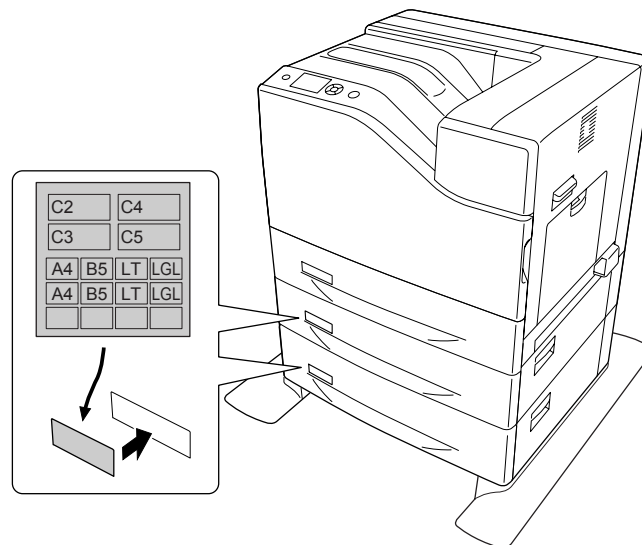
8. Attach the plate and fix the printer to the optional cassette unit with a screw.



9. Reinsert the paper cassette.



10. Affix the labels onto the front of the paper cassettes.



11. Load a stack of the desired paper with the printable surface facing up.
12. Reconnect the interface cable and power cord, and then turn the printer on.

To confirm that the option is installed correctly, print a configuration status sheet. See “Printing a Configuration Status Sheet” on page 166.

**Note for Windows users:**

If EPSON Status Monitor is not installed, you have to make settings manually in the printer driver. Select **Manual Settings** on the Optional Settings tab. Then select appropriate cassettes, such as **Cassette 4** and **Cassette 5**, from the Optional Paper Sources list on the Optional Settings dialog box based on the installed options and click **OK**.

## Removing the optional paper cassette unit

Perform the installation procedure in reverse.

---

## Memory Module

By installing Dual In-line Memory Module (DIMM), you can increase printer memory up to 1024 MB. You may want to add additional memory if you are having difficulty printing complex graphics.

## Installing a memory module

**Caution:**

Be careful when working inside the printer as some components are sharp and may cause injury.

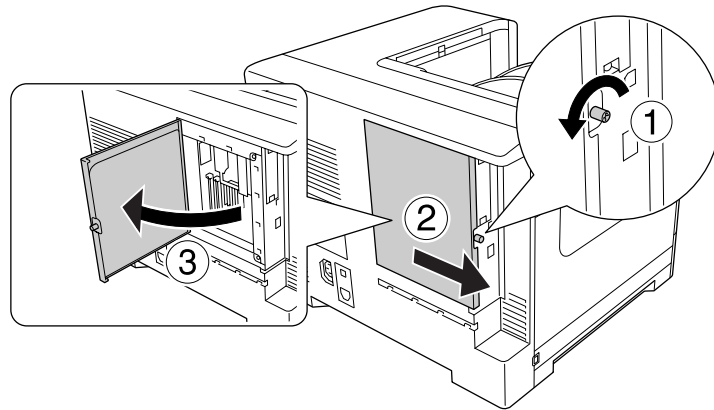
**Important:**

Before you install a memory module, be sure to discharge any static electricity by touching a grounded piece of metal. Otherwise, you may damage static-sensitive components.

1. Turn the printer off and unplug the power cord and interface cable.

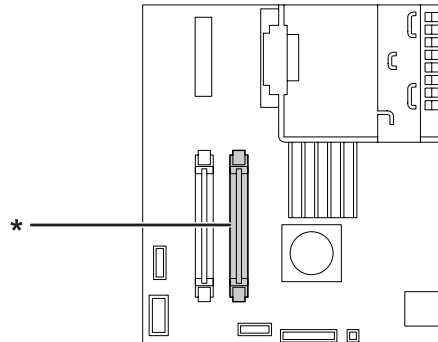


2. Loosen the screw, and then slide the back cover outward to open it.

**Caution:**

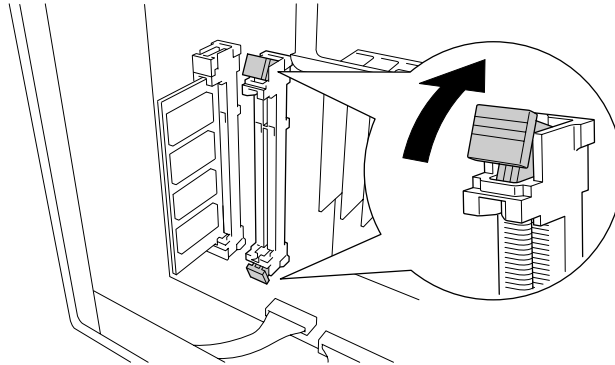
*If the printer has been in use, the heatsink inside the back cover may be very hot. Be careful not to touch the heatsink. See “Using the printer” on page 17 for details.*

3. Identify the RAM slot.

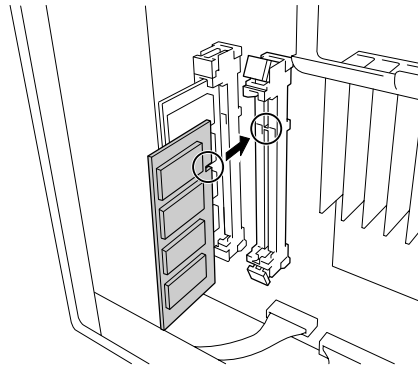


\* expansion RAM slot

4. Push the black stoppers until they stop.



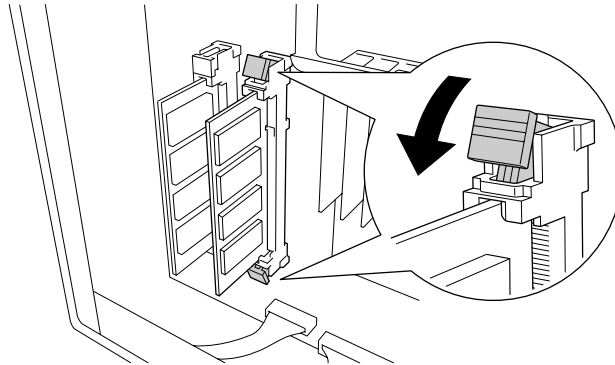
5. Confirm that the notch on the expansion memory module matches with that of the slot, and then firmly insert the top edge of the memory module into the slot until it stops.



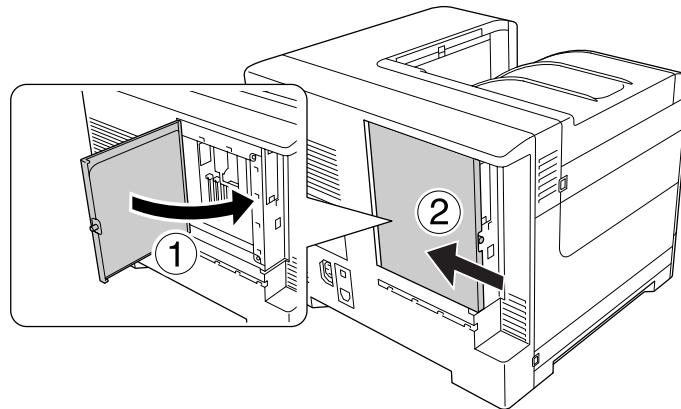
**Important:**

- Do not force the memory module into the slot.
- Be sure to insert the memory module facing the correct way.
- Do not remove any modules from the circuit board. Otherwise, the printer will not work.

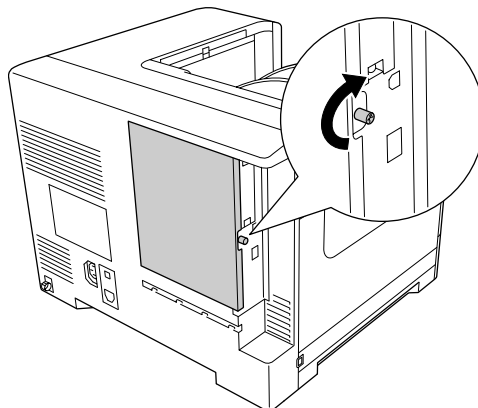
- Slide the black stoppers back toward you to lock the memory module.



- Close the back cover by pulling it toward you, and then slide the cover inside.



- Fasten the back cover with the screw.



- Reconnect the interface cable and power cord and turn the printer on.

To confirm that the option is installed correctly, print a configuration status sheet. See “Printing a Configuration Status Sheet” on page 166.

**Note for Windows users:**

*If EPSON Status Monitor is not installed, you have to make settings manually in the printer driver. See “Making Optional Settings” on page 185.*

## Removing a memory module



**Caution:**

*Be careful when working inside the printer as some components are sharp and may cause injury.*



**Important:**

*Before you remove a memory module, be sure to discharge any static electricity by touching a grounded piece of metal. Otherwise, you may damage static-sensitive components.*

Perform the installation procedure in reverse.

---

## Interface Card

Your printer comes with an empty type-B interface slot. Various optional interface cards are available to expand your printer's interface options.

## Installing an interface card

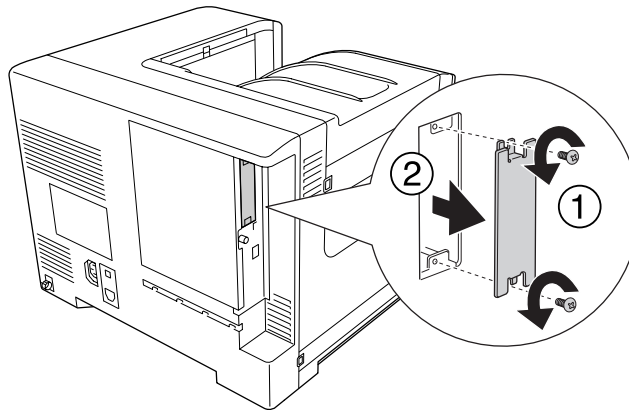


**Important:**

*Before you install the interface card, be sure to discharge any static electricity by touching a grounded piece of metal. Otherwise, you may damage static-sensitive components.*

1. Turn the printer off and unplug the power cord and interface cable.

- Remove the screws and the Type-B interface card slot cover as shown below.



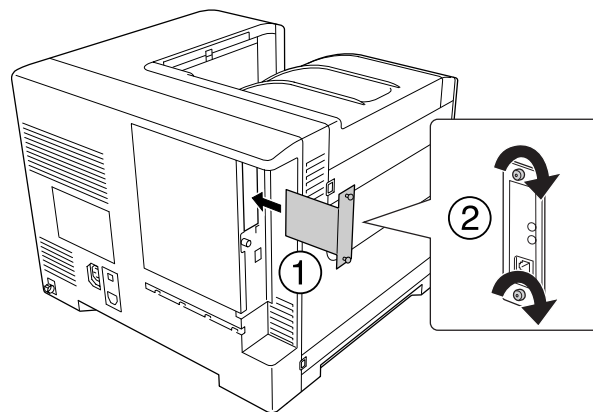
**Caution:**

*Removing screws and covers that are not described in the following instructions will expose high voltage areas.*

**Note:**

*Keep the slot cover in a safe place. You will need to reattach it if you remove the interface card later.*

- Slide and push the interface card into the slot firmly, then fasten the screw as shown below.



- Reconnect the interface cable and power cord and turn the printer on.

To confirm that the option is installed correctly, print a configuration status sheet. See “Printing a Configuration Status Sheet” on page 166.

## Removing an interface card



### **Important:**

Before you remove an interface card, be sure to discharge any static electricity by touching a grounded piece of metal. Otherwise, you may damage static-sensitive components.

Perform the installation procedure in reverse.

## CompactFlash Memory

### Installing a CompactFlash memory

An optional CompactFlash memory enables you to store overlay forms, use Reserve Job function, and improve the collate printing environment.



### **Caution:**

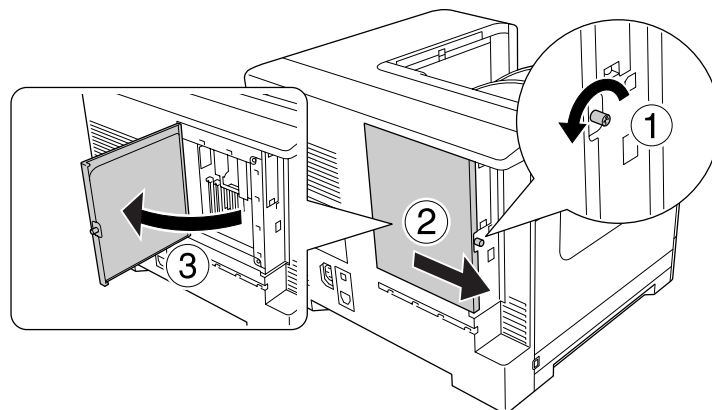
Be careful when working inside the printer as some components are sharp and may cause injury.



### **Important:**

Before you install a CompactFlash memory, be sure to discharge any static electricity by touching a grounded piece of metal. Otherwise, you may damage static-sensitive components.

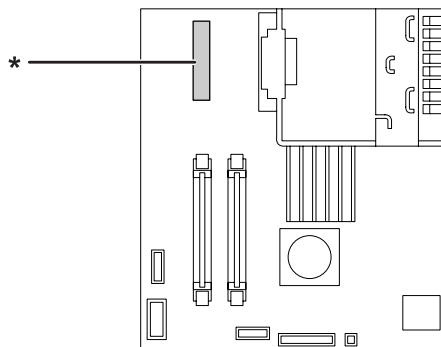
1. Turn the printer off and unplug the power cord and interface cable.
2. Loosen the screw, and then slide the back cover outward to open it.



**Caution:**

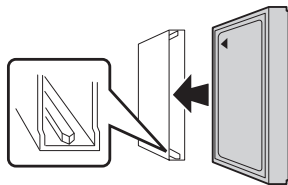
If the printer has been in use, the heatsink inside the back cover may be very hot. Be careful not to touch the heatsink. See "Using the printer" on page 17 for details.

3. Identify the installation slot for a CompactFlash memory.

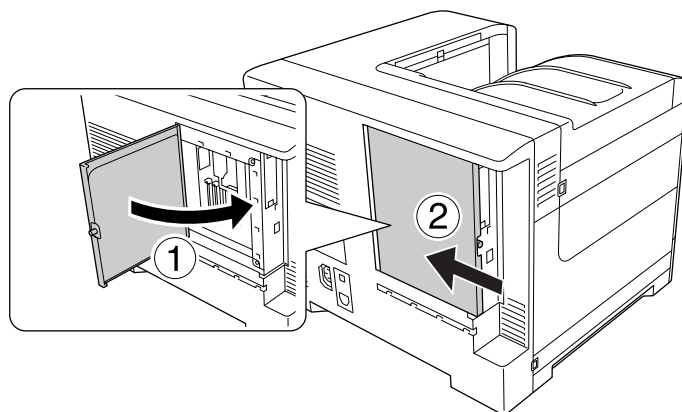


\* CompactFlash memory slot

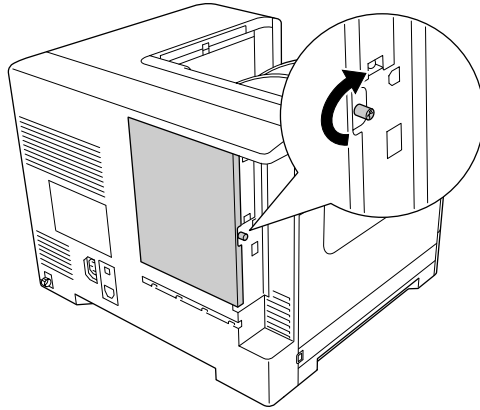
4. Insert a CompactFlash memory into the slot.



5. Close the back cover by pulling it toward you, and then slide the cover inside.



6. Fasten the back cover with the screw.



7. Reconnect the interface cable and power cord and turn the printer on.

To confirm that the option is installed correctly, print a configuration status sheet. See “Printing a Configuration Status Sheet” on page 166.

**Note for Windows users:**

*If EPSON Status Monitor is not installed, you have to make settings manually in the printer driver. See “Making Optional Settings” on page 185.*

## Removing a CompactFlash memory



**Caution:**

*Be careful when working inside the printer as some components are sharp and may cause injury.*



**Important:**

*Before you remove a CompactFlash memory, be sure to discharge any static electricity by touching a grounded piece of metal. Otherwise, you may damage static-sensitive components.*

Perform the installation procedure in reverse.

**Note:**

- ❑ *Completely erase all data using specialized software or carry out Delete All CompactFlash Data on Support Menu before you give away or discard CompactFlash memory. See “Support Menu” on page 89 for details.*



- ❑ *Deleting files or formatting the CompactFlash memory from the computer may not erase the data completely. Physically destroying the CompactFlash memory is also recommended when you discard CompactFlash memory.*

## Chapter 6

# Replacing Consumable Products/Maintenance Parts

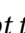
## Precautions During Replacement

Always observe the following handling precautions when replacing consumable products or maintenance parts:

For details about replacements, see the instructions that come with the consumable products or maintenance parts, or the labels on the printer or options.



### Caution:

- Be careful not to touch the fuser, which is marked  (**CAUTION**), or the surrounding areas. If the printer has been in use, the fuser and surrounding areas may be very hot.
- Do not dispose of used consumable products or maintenance parts in fire, as they may explode and cause injury. Dispose of them according to local regulations.
- Provide enough space for the replacement procedure. You will have to open some parts (such as the printer cover) of the printer when you are replacing consumable products or maintenance parts.
- Do not install the consumable products or maintenance parts that reach end of service life into the printer.

For details about the handling precautions, see “Handling consumable products and maintenance parts” on page 19.

## Replacement Messages

If a consumable product or maintenance part reaches the end of its service life, the printer displays the following messages on the LCD panel or the window of EPSON Status Monitor.

LCD Panel Message	Description
Replace Toner uuuu*	The toner cartridge for the indicated color has reached the end of its service life.
Replace Photocon uuuu*	The photoconductor unit for the indicated color has reached the end of its service life.

LCD Panel Message	Description
Replace Waste Toner Box	The waste toner collector has reached the end of its service life.
Replace Fuser	The fuser has reached the end of its service life.
Replace Transfer Unit	The transfer unit has reached the end of its service life.
Replace Staple Cartridge	The staple cartridge has run out of staples.

\* The color Cyan(C), Magenta(M), Yellow(Y), or Black(K) appears in this position, indicating the color of the toner cartridge or photoconductor unit to be replaced. For example, the message `Replace Toner Yellow(Y)` means that the yellow toner cartridge is near the end of its service life.

**Note:**

*Messages appear for one consumable product or maintenance part at a time. After replacing a consumable product or maintenance part, check the LCD panel for replacement messages for other consumable products or maintenance parts.*

## Chapter 7

# Cleaning and Transporting the Printer

## Cleaning the Printer

The printer needs only minimal cleaning. If the printer's outer case is dirty or dusty, turn off the printer and clean it with a soft, clean cloth moistened with a mild detergent.

**Important:**

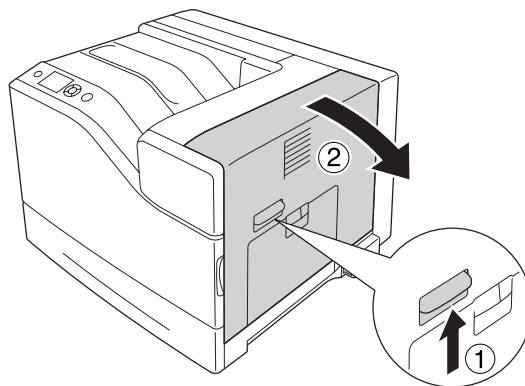
*Never use alcohol or paint thinner to clean the printer cover. These chemicals can damage the components and the case. Be careful not to get water onto the printer mechanism or any electrical components.*

## Cleaning the pickup roller

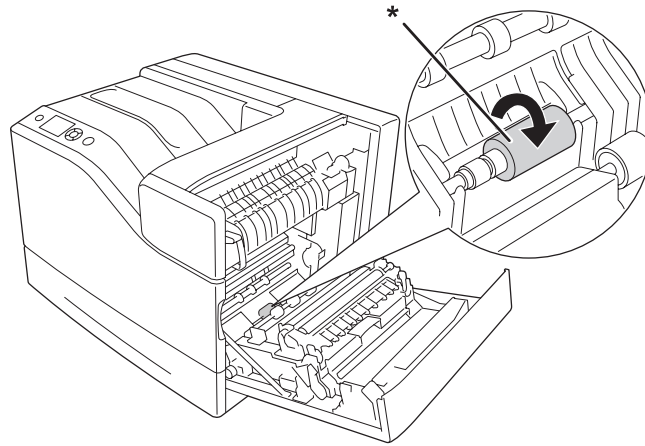
If the paper does not feed well, clean the pickup roller. Gently wipe the rubber parts of the pick up rollers in the MP tray and standard lower paper cassette with a well-wrung wet cloth.

### MP tray

1. Open cover B.



2. Gently wipe the rubber parts of the pickup roller toward you with a well-wrung wet cloth.

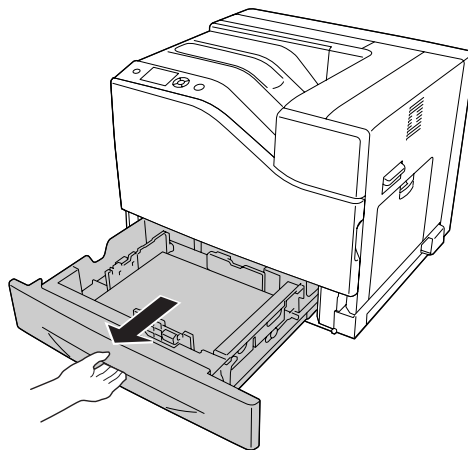


\* pickup roller

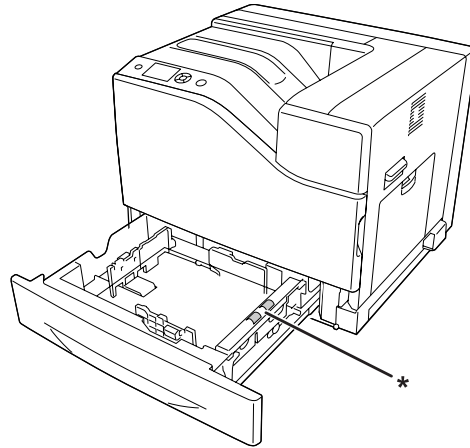
3. Close cover B.

### ***Lower paper cassette***

1. Pull out the lower paper cassette.



2. Gently turn and wipe the rubber parts of the pickup rollers with a well-wrung wet cloth.



\* pickup roller

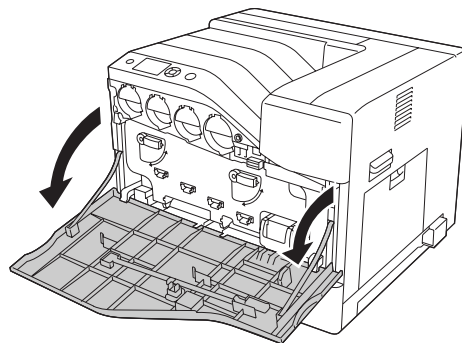
3. Insert the lower paper cassette.

### ***Cleaning the exposure window***

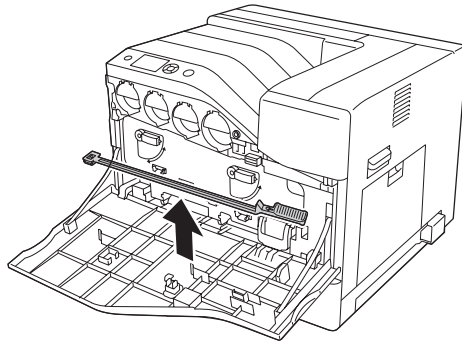
Clean the exposure window in the following situations:

- When vertical lines appear on the printout.
- When replacing the photoconductor unit.

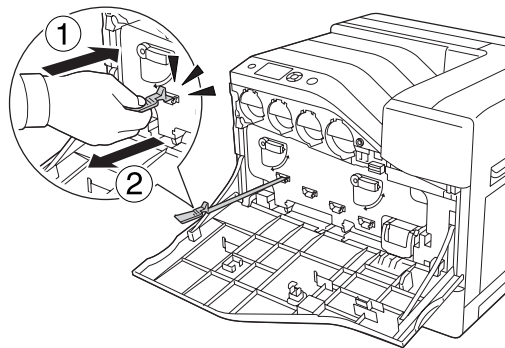
1. Open cover A.



2. Take out the exposure window cleaning rod.



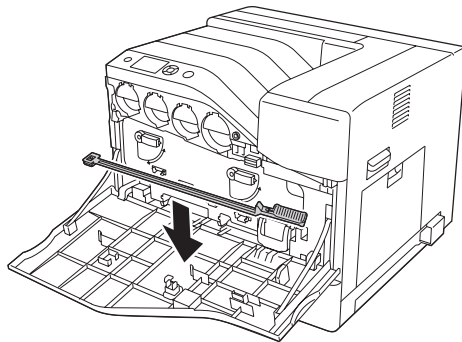
3. Insert the cleaning rod all the way into the hole under the photoconductor unit with its sponge facing down, and then slide it out.



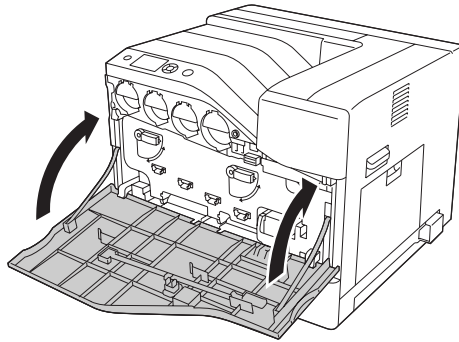
**Note:**

*Repeat the same procedure for the other photoconductor units.*

4. Put the cleaning rod back in place.



5. Close cover A.



---

## ***Transporting the Printer***

### ***For long distances***

Before you move the printer, prepare the location where you are going to place it. See the following sections.

- “Setting up the printer” on page 13
- “Finding the place for the printer” on page 15

### ***Repacking the printer***

If you need to transport your printer for long distances, carefully repack it using the original box and packing materials.

1. Turn off the printer and remove the following items:
  - Power cord
  - Interface cables
  - Loaded paper
  - Installed options
2. Attach the protective materials onto the printer, then repack the printer in its original box.



**Important:**

*When moving the printer, always keep it horizontal.*

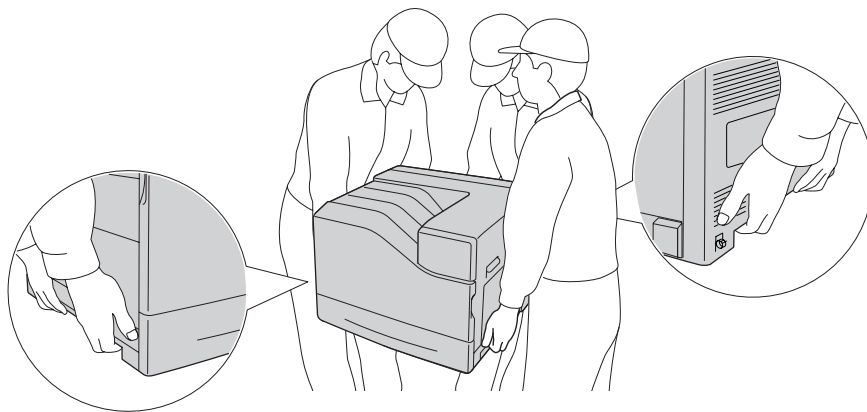
## For short distances

Before you move the printer, prepare the location where you are going to place it. See the following sections.

- “Setting up the printer” on page 13
- “Finding the place for the printer” on page 15

If you are moving the printer on its own, three people should lift and carry the printer.

1. Turn off the printer and remove the following items:
  - Power cord
  - Interface cables
  - Loaded paper
  - Installed options
2. Be sure to lift the printer by the correct positions as shown below.

**Important:**

*When moving the printer, always keep it horizontal.*

Note the following if your printer is installed on the optional 1100-Sheet Paper Cassette Unit.

- You do not need to remove the printer from the optional 1100-Sheet Paper Cassette Unit.
- It is unnecessary to lift the printer.
- Unlock the casters on the optional 1100-Sheet Paper Cassette Unit before moving the printer.
- Remove any obstacles that might be in your way.
- Lock the casters on the optional 1100-Sheet Paper Cassette Unit after moving the printer.

## Chapter 8

### Troubleshooting

#### Clearing Jammed Paper

If paper becomes jammed in the printer, the printer's LCD panel and EPSON Status Monitor provide alert messages.

Error Message	Refer to
Clear paper jam and then reload N M	For instruction on clearing this type of paper jam, see "Paper Jam M (Cover M)" on page 156.
Clear paper jam and then reload L	For instruction on clearing this type of paper jam, see "Paper Jam L (Cover L)" on page 158.
Clear paper jam and then reload MP	For instruction on clearing this type of paper jam, see "Paper Jam MP (MP tray)" on page 159.
Clear paper jam and then reload B	For instruction on clearing this type of paper jam, see "Paper Jam B (Cover B)" on page 161.
Clear paper jam and then reload F	For instruction on clearing this type of paper jam, see "Paper Jam B (Cover B)" on page 161.
Clear paper jam and then reload D	For instruction on clearing this type of paper jam, see "Paper Jam B (Cover B)" on page 161.
Clear paper jam and then reload E2/E3/E4/E5	For instruction on clearing this type of paper jam, see "Paper Jam E5, Paper Jam E4, Paper Jam E3, Paper Jam E2 (Cover E)" on page 164.
Clear paper jam and then reload C1/C2/C3/C4/C5	For instruction on clearing this type of paper jam, see "Paper Jam C5, Paper Jam C4, Paper Jam C3, Paper Jam C2, Paper Jam C1, (All paper cassette)" on page 165.

#### Precautions for clearing jammed paper

Be sure to observe the following points when you clear jammed paper.

- Do not remove jammed paper by force. Torn paper can be difficult to remove and might cause other paper jams. Pull the paper gently and steadily to avoid tearing it, falling down, and injuring yourself.
- Always try to remove jammed paper with both hands to avoid tearing it.

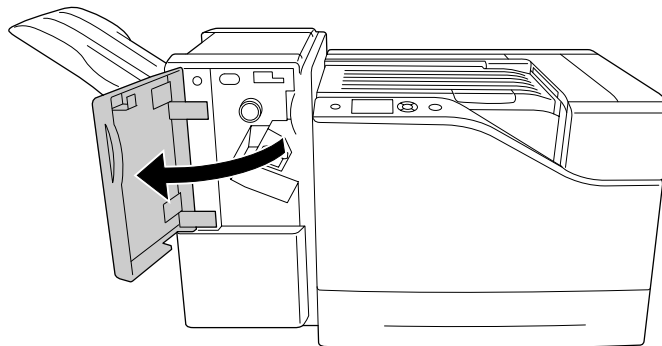
- ❑ If jammed paper is torn and remains in the printer, or if paper is jammed in a place not mentioned in this section, contact your dealer.
- ❑ Make sure that the paper type that is loaded is the same as the Paper Type setting in the printer driver.

**Caution:**

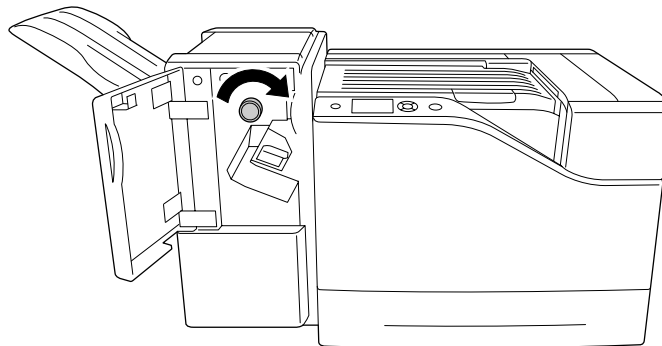
- ❑ Unless specifically instructed in this guide, be careful not to touch the fuser, which is marked  $\triangle$  (**CAUTION**), or the surrounding areas. If the printer has been in use, the fuser and the surrounding areas may be very hot. If you must touch one of these areas, wait 30 minutes to allow the heat to subside before doing so.
- ❑ Do not insert your hand deep into the fuser unit as some components are sharp and may cause injury.

## Paper Jam M (Cover M)

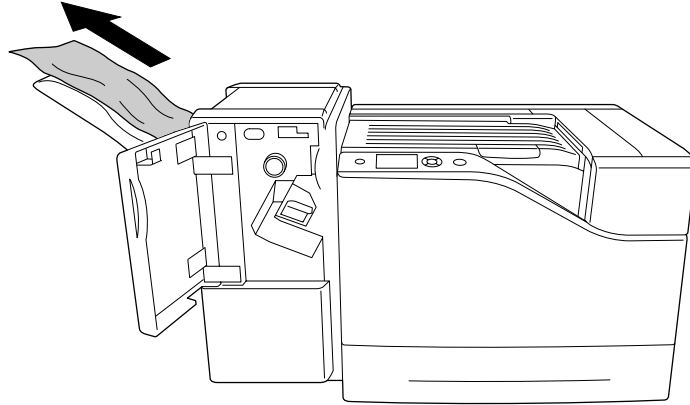
1. Open cover M.



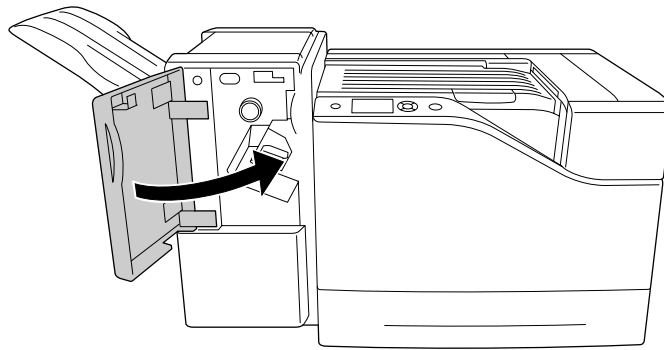
2. Rotate knob N clockwise.



3. Gently remove the jammed paper with both hands. Be careful not to tear the jammed paper.

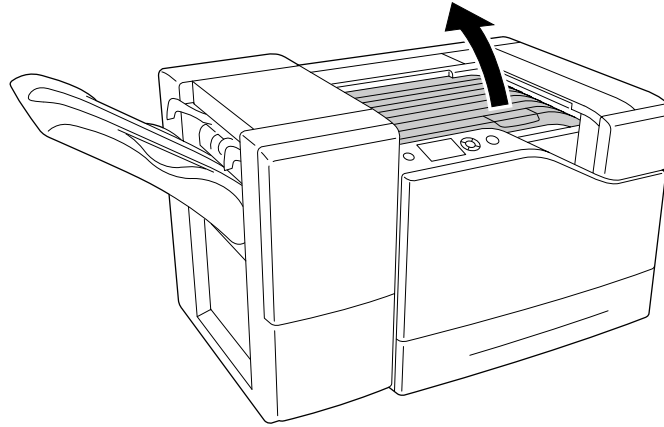


4. Close cover M.

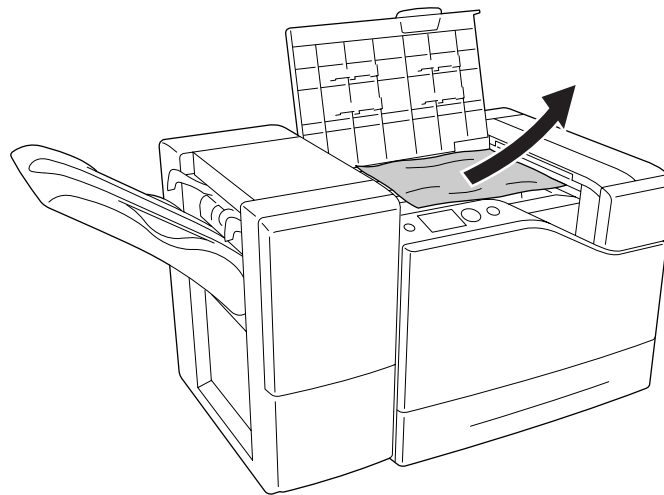


## ***Paper Jam L (Cover L)***

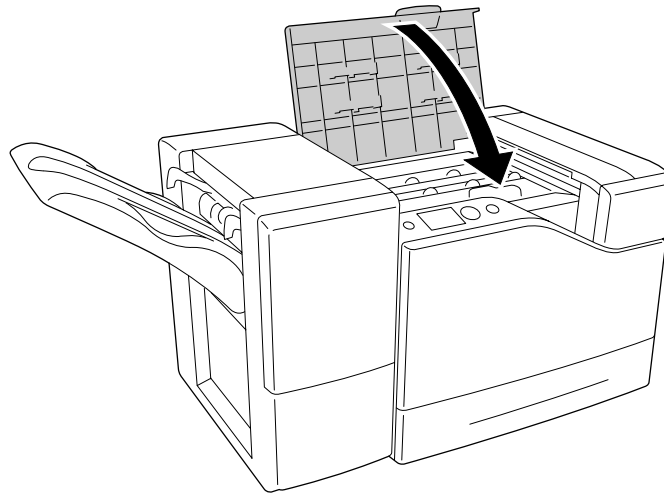
1. Open cover L.



2. Gently remove the jammed paper with both hands. Be careful not to tear the jammed paper.

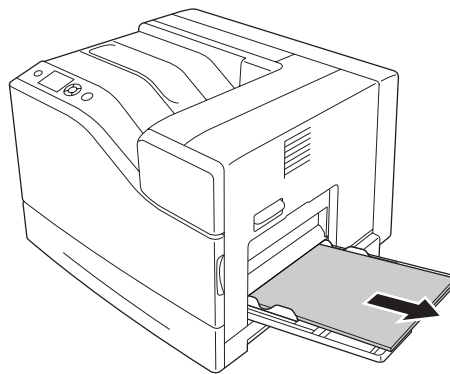


3. Close cover L.

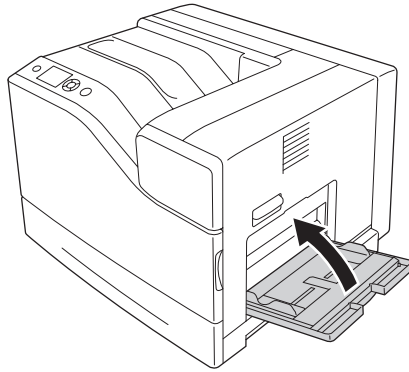


### ***Paper Jam MP (MP tray)***

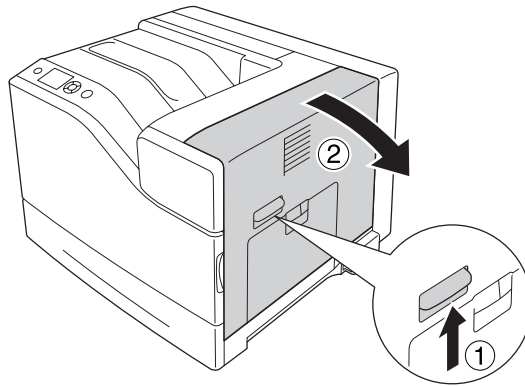
1. Remove the stack of paper.



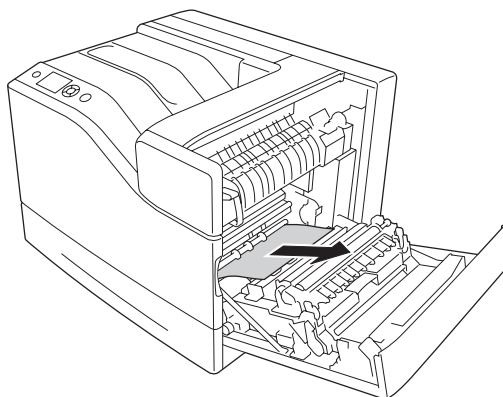
2. Close the MP tray.



3. Open cover B.

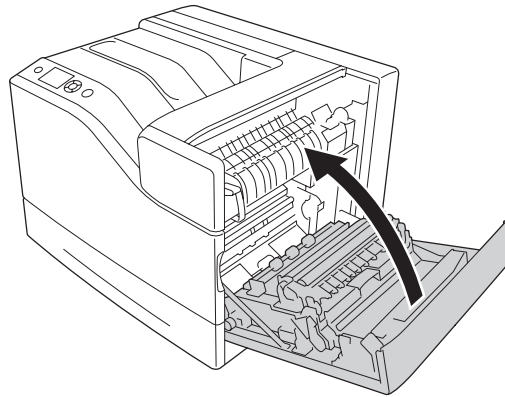


4. Gently remove the jammed paper with both hands. Be careful not to tear the jammed paper.



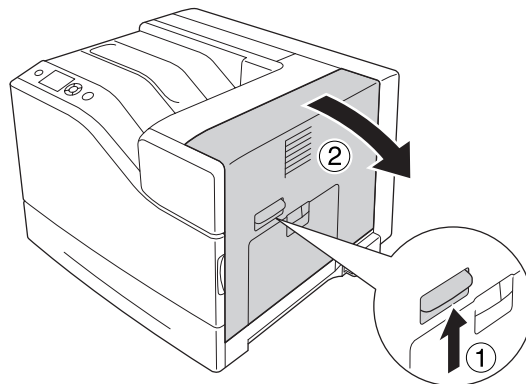


5. Close cover B.

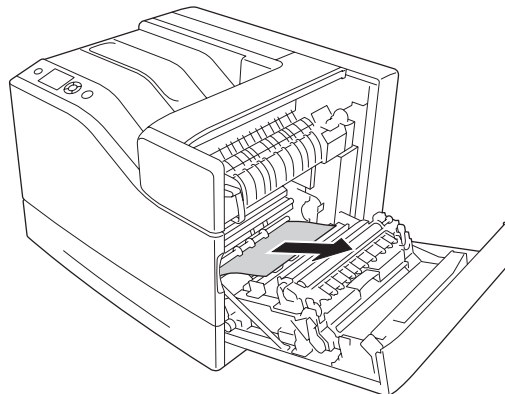


### ***Paper Jam B (Cover B)***

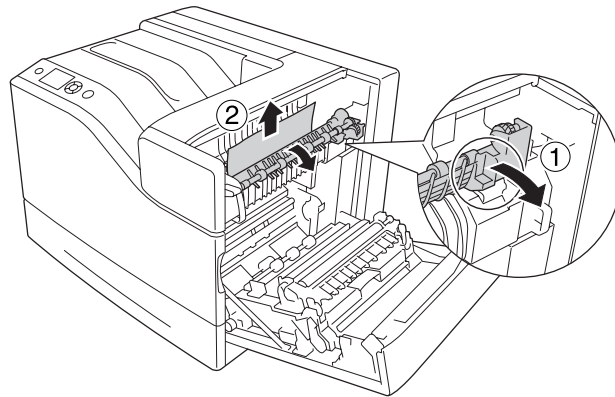
1. Open cover B.



2. Gently remove the jammed paper with both hands. Be careful not to tear the jammed paper.



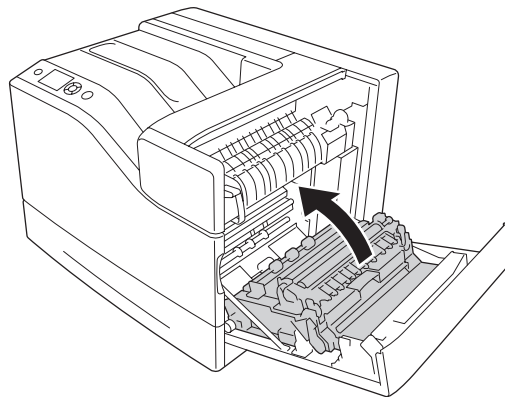
3. If there is any jammed paper, push down cover F and remove any sheets of paper.



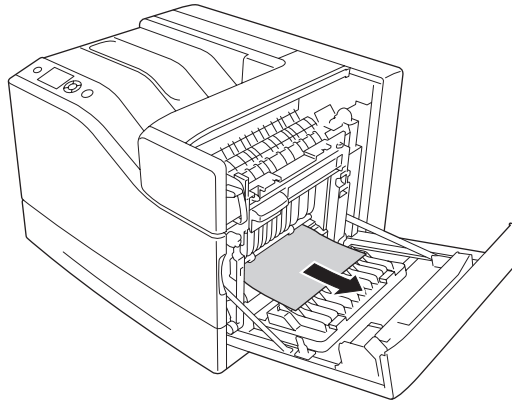
**Caution:**

Be careful not to touch the fuser, which is marked  $\triangle$  (**CAUTION**), or the surrounding areas. If the printer has been in use, the fuser and the surrounding areas may be very hot. If you must touch one of these areas, wait 30 minutes to allow the heat to subside before doing so.

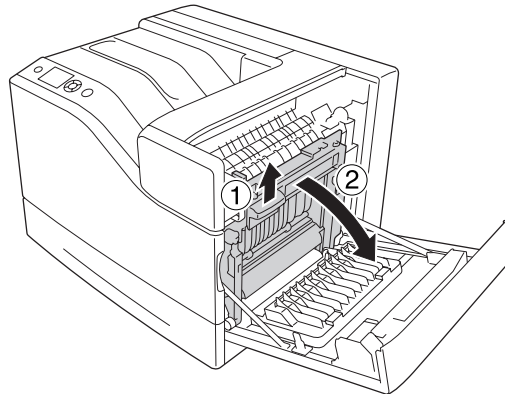
4. Lift up cover D.



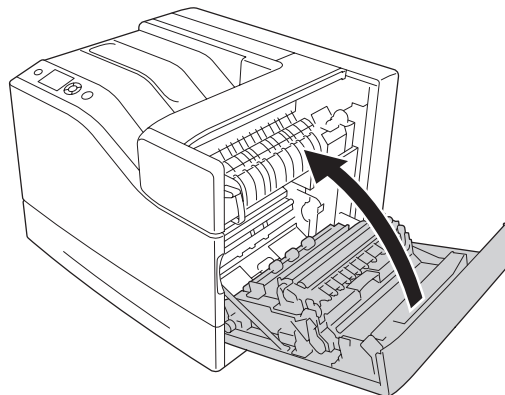
5. Gently remove the jammed paper with both hands. Be careful not to tear the jammed paper.



6. Lower cover D.



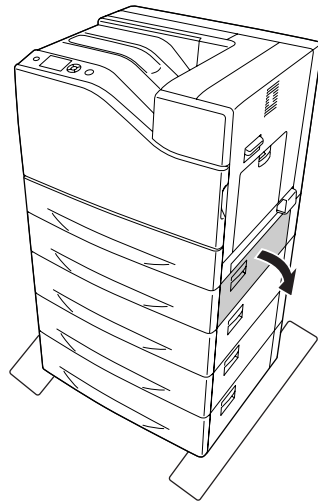
7. Close cover B.



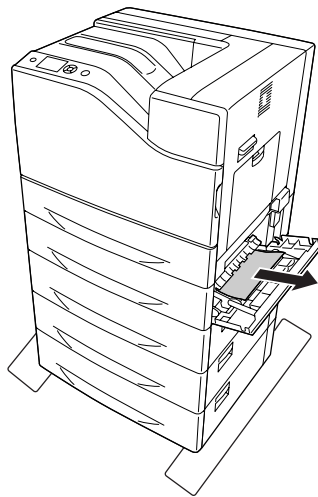
## ***Paper Jam E5, Paper Jam E4, Paper Jam E3, Paper Jam E2 (Cover E)***

The instruction describes about cover E2 as an example. Use the same procedure for optional paper cassette E3, E4, and E5.

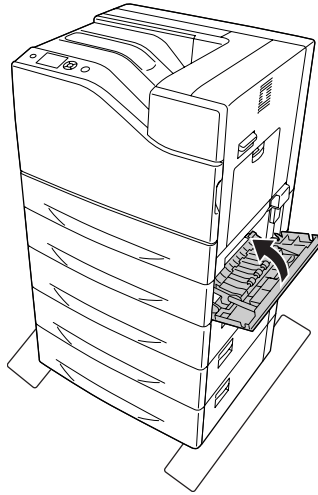
1. Open cover E2.



2. Gently remove the jammed paper with both hands. Be careful not to tear the jammed paper.



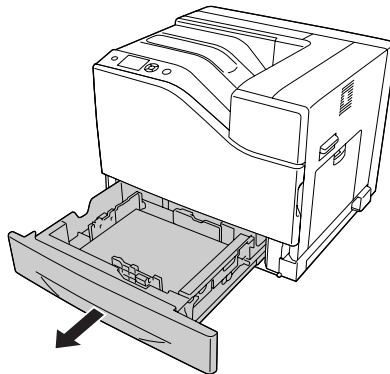
3. Close cover E2.



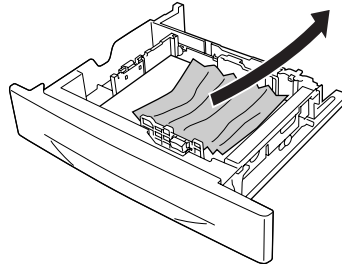
### ***Paper Jam C5, Paper Jam C4, Paper Jam C3, Paper Jam C2, Paper Jam C1, (All paper cassette)***

The instruction describes about standard lower paper cassette C1 as an example. Use the same procedure for optional paper cassette C2, C3, C4, and C5.

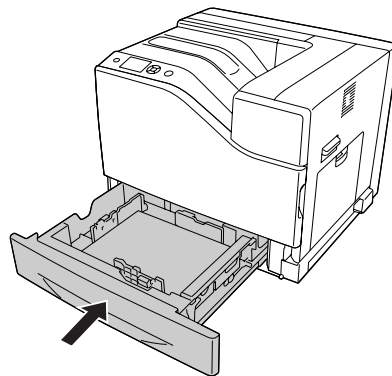
1. Pull out the paper cassette from the printer.



2. Gently remove the jammed paper with both hands. Be careful not to tear the jammed paper.



3. Reinsert the paper cassette.



---

## ***Printing a Configuration Status Sheet***

To confirm the current status of the printer, and that the options are installed correctly, print a configuration status sheet using the printer's control panel or the printer driver.

To print a configuration status sheet from the printer's control panel, see "Printing a Configuration Status Sheet" on page 106.

To print a configuration status sheet from the printer driver, for Windows, see "Printing a configuration status sheet" on page 185.

## Operational Problems

### The Ready light does not turn on

Cause	What to do
The power cord may not be properly plugged into the electrical outlet.	Turn off the printer, check the power cord connections between the printer and the electrical outlet, then turn the printer back on.
The electrical outlet may be controlled by an outside switch or an automatic timer.	Make sure that the switch is turned on or plug another electrical device into the outlet to check whether the outlet is operating properly.
The printer is in the sleep mode (the <b>Wake Up/Sleep</b> button lights).	Press the <b>Wake Up/Sleep</b> button to return the printer to ready status.
The printer is in the power off mode.	Turn on the power switch.  To not enter the power off mode, set <b>Power Off Timer to Off</b> in <b>Energy Saver Menu</b> on the control panel.

### The printer does not print (Ready light off)

Cause	What to do
The printer is offline.	Press the <b>Start/Stop</b> button once to switch the printer to ready status. Make sure that the Ready light turns on.
Some error may have occurred.	Check the LCD panel to see if an error message appears.
The printer is in the power off mode.	Turn on the power switch.  To not enter the power off mode, set <b>Power Off Timer to Off</b> in <b>Energy Saver Menu</b> on the control panel.

### The Ready light is on but nothing prints

Cause	What to do
Your computer may not be properly connected to the printer.	Perform the procedure illustrated in the <i>Setup Guide</i> .
The interface cable may not be plugged in securely.	Check both ends of the interface cable between the printer and the computer.

Cause	What to do
You may not be using the correct interface cable.	If you are using the parallel interface, make sure that the cable is a double-shielded, twisted-pair interface cable no more than six feet in length.  If you are using the USB interface, use a cable that is compatible with Hi-Speed USB.
Your application software is not properly set up for your printer.	Make sure that the printer is selected in your application software.
Your computer system's memory is too small to handle the volume of data in your document.	Try reducing the image resolution of your document in the application software, or install more memory in your computer if you can.

### ***The remaining service life of the consumables is not updated (Windows only)***

Cause	What to do
The interval between updating information for the consumables is too long.	Press the <b>Get Information Now</b> button on the Consumable Info Settings dialog box. You can also change the interval for updating information about the consumables on the Consumable Info Settings dialog box.

### ***Cannot install software or drivers***

Cause	What to do
You are not accessing the operating system with the administrator privilege.	Access the operating system with the administrator privilege.

### ***Cannot access the shared printer***

Cause	What to do
Inappropriate texts are used for the Share name of the shared printer.	Do not use spaces or hyphens for the Share name.
An additional driver cannot be installed on the client computer, although the print server's OS and the client OS are different.	Install the printer drivers from the Software Disc.
Your network system causes this problem.	Ask the administrator of the network for assistance.



**Note:**

For the additional driver to be installed, please see the table below.

Server OS	Client OS	Additional Driver
Windows XP*	Windows XP clients	Intel Windows 2000 or XP
	Windows XP x64 clients	x64 Windows XP
Windows XP x64, Server 2003, or Server 2003 x64*	Windows XP clients	x86 Windows 2000, Windows XP and Windows Server 2003
	Windows XP x64 clients	x64 Windows XP and Windows Server 2003
Windows Vista, Vista x64, Server2008, or Server2008 x64	Windows Vista or XP clients	x86 Type 3 - User Mode
	Windows Vista x64 or XP x64 clients	x64 Type 3 - User Mode

\* The additional driver for Windows XP x64 and Server 2003 x64 can be used on Windows XP Service Pack 2, Windows 2003 Service Pack 1, or later.

## Printout Problems

### The font cannot be printed

Cause	What to do
For Windows users, you may use the printer fonts substituted for specified TrueType fonts.	In the printer driver, choose the <b>Print TrueType fonts as bitmap</b> check box in the Extended Settings dialog box.
The selected font is not supported by your printer.	Make sure that you have installed the correct font. See the <i>Font Guide</i> for more information.

### Printout is garbled

Cause	What to do
The interface cable may not be plugged in securely.	Make sure that both ends of the interface cable are plugged in securely.

Cause	What to do
You may not be using the correct interface cable.	If you are using the parallel interface, make sure that the cable is a double-shielded, twisted-pair interface cable no more than six feet in length. If you are using the USB interface, use a Revision 2.0 cable.
The emulation setting for the port may not be correct.	Specify the emulation mode by using the printer's control panel menus. See "Emulation Menu" on page 66.

**Note:**

*If a configuration status sheet does not print correctly, your printer may be damaged. Contact your dealer or a qualified service representative.*

**The printout position is not correct**

Cause	What to do
The page length and margins may be set incorrectly in your application.	Make sure that you are using the correct page length and margin settings in your application.
The paper size setting may be incorrect.	Make sure the correct paper size is set in the Tray Menu on the control panel.
The MP Tray Size setting may be incorrect.	When loading paper for which the size is not specified with Auto setting, specify the correct paper size on the MP Tray Size setting in the Tray Menu on the control panel.

**Graphics do not print correctly**

Cause	What to do
The printer emulation setting in your application may be incorrect.	Make sure that your application is set for the printer emulation you are using. For example, if you are using the ESC/Page mode, make sure that your application is set to use an ESC/Page printer.
You may need more memory.	Graphics require large amounts of memory. Install an appropriate memory module. See "Memory Module" on page 136.

## Color Printing Problems

### Cannot print in color

Cause	What to do
<b>Black</b> is selected as the Color setting in the printer driver.	Change this setting to <b>Color</b> .
The color setting in the application you are using is not appropriate for color printing.	Make sure that the settings in your application are appropriate for color printing.

### The printout color differs when printed from different printers

Cause	What to do
Printer driver default settings and color tables vary by printer model.	Set the Gamma setting to <b>1.8</b> in the More Settings dialog box in the printer driver, then print again. If you still do not get the printouts you expect, adjust the color using the slide bar for each color. For details about the More Settings dialog box, see the printer driver's online help.

### The color looks different from what you see on the computer screen

Cause	What to do
Printed colors do not exactly match the colors on your monitor, since printers and monitors use different color systems: monitors use RGB (red, green, and blue), while printers typically use CMYK (cyan, magenta, yellow, and black).	Although it is difficult to match colors perfectly, selecting the printer driver's ICM setting can improve color matching between different devices. For details, see the printer driver's online help.
<b>PhotoEnhance</b> may be selected in the printer driver.	The PhotoEnhance feature corrects the contrast and brightness of the original image data, and so may not be suitable for printing vivid images.

## ***Print Quality Problems***

### ***The background is dark or dirty***

<b>Cause</b>	<b>What to do</b>
You may not be using the correct type of paper for your printer.	If the surface of your paper is too rough, printed characters may appear distorted or broken. Smooth, high-quality copier paper is recommended for best results. See "Available paper types" on page 201 for information on choosing paper.
The paper path inside the printer may be dusty.	Clean internal printer components by printing three pages with only one character per page.

### ***White dots appear in the printout***

<b>Cause</b>	<b>What to do</b>
The paper path inside the printer may be dusty.	Clean internal printer components by printing three pages with only one character per page.

### ***Vertical lines appear on the printout***

<b>Cause</b>	<b>What to do</b>
The exposure window may be dusty.	Clean the exposure window. For details, see "Cleaning the exposure window" on page 150.

### ***Print quality or tone is uneven***

<b>Cause</b>	<b>What to do</b>
Your paper may be moist or damp.	Do not store paper in a humid or damp environment.

Cause	What to do
One of the toner cartridges may be near the end of its service life.	If the message on the LCD panel or in EPSON Status Monitor indicates that one of the toner cartridges is near the end of its service life, replace the toner cartridge. See "Replacing Consumable Products/Maintenance Parts" on page 146.  For Windows users, you can also check the remaining service life of the toner cartridge by looking at the Basic Settings tab in the printer driver.
There may be a problem with photoconductor units.	Replace the photoconductor units. See "Replacing Consumable Products/Maintenance Parts" on page 146.

### ***Half-tone images print unevenly***

Cause	What to do
Your paper may be moist or damp.	Do not store paper in a humid or damp environment. Be sure to use paper that is newly unwrapped.
One of the toner cartridges may be near the end of its service life.	If the message on the LCD panel or in EPSON Status Monitor indicates that one of the toner cartridges is near the end of its service life, replace the toner cartridge. See "Replacing Consumable Products/Maintenance Parts" on page 146.  For Windows users, you can also check the remaining service life of the toner cartridge by looking at the Basic Settings tab in the printer driver.
The gradation setting is too small when printing graphics.	For Windows users, on the Basic Settings tab in the printer driver, click the <b>Advanced</b> tab and select the <b>More Settings</b> button. Then select the <b>Halftoning</b> .  The setting above is available only when printing in black-and-white and the Monochrome Model Compatibility check box is selected in the printer driver.
There may be a problem with photoconductor units.	Replace the photoconductor units. See "Replacing Consumable Products/Maintenance Parts" on page 146.

### ***Toner smudges***

Cause	What to do
Your paper may be moist or damp.	Do not store your paper in a humid or damp environment.

Cause	What to do
You may not be using the correct type of paper for your printer.	EPSON Color Laser Paper or smooth, high-quality copier paper is recommended for best results. See "Available paper types" on page 201 for information on choosing paper.
The paper path inside the printer may be dusty.	Clean internal printer components by printing three pages with only one character per page.
There may be a problem with photoconductor units.	Replace the photoconductor units. See "Replacing Consumable Products/Maintenance Parts" on page 146.

### ***Areas are missing in the printed image***

Cause	What to do
Your paper may be moist or damp.	This printer is sensitive to moisture absorbed by the paper. The higher the moisture content in the paper, the lighter the printout. Do not store paper in a humid or damp environment.
You may not be using the correct type of paper for your printer.	If the surface of your paper is too rough, printed characters may appear distorted or broken. Smooth, high-quality copier paper is recommended for best results. See "Available paper types" on page 201 for information on choosing paper.

### ***Completely blank pages are output***

Cause	What to do
The printer may have loaded more than one sheet at a time.	Remove the paper stack and fan it. Tap it on a flat surface to even the edges, then reload the paper.
The problem may be with your application or interface cable.	Print out a configuration status sheet. See "Printing a Configuration Status Sheet" on page 166. If a blank page is ejected, the problem may be with the printer. Turn off the printer and contact your dealer.
The paper size setting may be incorrect.	Make sure the correct paper size is set in the <b>Tray Menu</b> on the control panel.
The <b>MP Tray Size</b> setting may be incorrect.	When loading paper for which the size is not specified with <b>Auto</b> setting, specify the correct paper size on the <b>MP Tray Size</b> setting in the <b>Tray Menu</b> on the control panel.

Cause	What to do
One of the toner cartridges may be near the end of its service life.	<p>If the message on the LCD panel or in EPSON Status Monitor indicates that one of the toner cartridges is near the end of its service life, replace the toner cartridge. See "Replacing Consumable Products/Maintenance Parts" on page 146.</p> <p>For Windows users, you can also check the remaining service life of the toner cartridge by looking at the Basic Settings tab in the printer driver.</p>
There may be a problem with photoconductor units.	Replace the photoconductor units. See "Replacing Consumable Products/Maintenance Parts" on page 146.

### ***The printed image is light or faint***

Cause	What to do
Your paper may be moist or damp.	Do not store your paper in a humid or damp environment.
The Toner Save mode may be on.	<p>Turn off the Toner Save mode using the printer driver or the printer's control panel menus.</p> <p>For Windows users, on the Basic Settings tab in the printer driver, click <b>Advanced</b> and select the <b>More Settings</b> button. Then deselect the <b>Toner Save</b> check box.</p>
One of the toner cartridges may be near the end of its service life.	<p>If the message on the LCD panel or in EPSON Status Monitor indicates that one of the toner cartridges is near the end of its service life, replace the toner cartridge. See "Replacing Consumable Products/Maintenance Parts" on page 146.</p> <p>For Windows users, you can also check the remaining service life of the toner cartridge by looking at the Basic Settings tab in the printer driver.</p>
There may be a problem with photoconductor units.	Replace the photoconductor units. See "Replacing Consumable Products/Maintenance Parts" on page 146.

### ***The non-printed side of the page is dirty***

Cause	What to do
Toner may have spilled onto the paper feed path.	Clean internal printer components by printing three pages with only one character per page.

## ***Print quality decreased***

<b>Cause</b>	<b>What to do</b>
The printer cannot print in the required quality level because of insufficient memory, and the printer lowers the quality automatically so that the printer can continue printing.	<p>Check to see if the printout is acceptable. If not, add more memory for a permanent solution or lower print quality temporarily in the printer driver.</p> <p>If RAM Disk is set to Maximum or Normal on the control panel, you can increase the available memory space by changing this setting to Off.</p>

## ***Memory Problems***

### ***Insufficient memory for current task***

<b>Cause</b>	<b>What to do</b>
The printer has insufficient memory for current task.	<p>Reduce the contents of print jobs, or increase the available memory on your printer. You can increase the available memory by installing an optional memory module or CompactFlash memory. See "Installing a memory module" on page 136 or "Installing a CompactFlash memory" on page 142 for details.</p> <p>When RAM Disk is set to Maximum or Normal on the control panel, you can increase the available memory space by changing this setting to Off.</p>

### ***Insufficient memory to print all copies***

<b>Cause</b>	<b>What to do</b>
The printer does not have sufficient memory to collate print jobs.	<p>Reduce the contents of print jobs, or increase the available memory on your printer. You can increase the available memory by installing an optional memory module or CompactFlash memory. See "Installing a memory module" on page 136 or "Installing a CompactFlash memory" on page 142 for details.</p> <p>When RAM Disk is set to Maximum or Normal on the control panel, you can increase the available memory space by changing this setting to Off.</p>



## Paper Handling Problems

### Paper does not feed properly

Cause	What to do
The paper guides are not set correctly.	Make sure that the paper guides in all the paper cassettes and the MP tray are set to the correct paper size positions.
The paper source setting may not be correct.	Make sure that you have selected the correct paper source in your application.
There may be no paper in the paper source.	Load paper into the selected paper source.
The size of loaded paper differs from the control panel or printer driver settings.	Make sure that the correct paper size and paper source are set in the control panel or printer driver.
Too many sheets may be loaded in the MP tray or paper cassettes.	Make sure that you have not tried to load too many sheets of paper. For the maximum paper capacity for each paper source, see "General" on page 203.
If paper does not feed from the optional paper cassette unit, the unit may not be installed properly.	For instructions on installing the unit, see "Optional Paper Cassette Unit" on page 126.
The pickup roller is dirty.	Clean up the pickup roller. For instructions, see "Cleaning the pickup roller" on page 148.
The optional paper cassette may not be installed properly.	See "Optional Paper Cassette Unit" on page 126 for instructions on installing an optional paper cassette unit.

## Problems Using Options

To confirm your options are installed correctly, print a configuration status sheet. See "Printing a Configuration Status Sheet" on page 166 for details.

### The message *Invalid AUX I/F Card* appears on the LCD panel

Cause	What to do
The printer cannot recognize the installed optional interface card.	Turn off the printer, then remove the card. Make sure the interface card is of a supported model.

## ***Paper does not feed from the optional paper cassette***

<b>Cause</b>	<b>What to do</b>
The paper guides are not set correctly.	Make sure that the paper guides in the optional paper cassettes are set to the correct paper size positions.
The optional paper cassette may not be installed properly.	See "Optional Paper Cassette Unit" on page 126 for instructions on installing an optional paper cassette unit.
The paper source setting may not be correct.	Make sure you have selected the proper paper source in your application.
There may be no paper in the paper cassette.	Load paper into the selected paper source.
Too many sheets may be loaded in the paper cassette.	Make sure that you have not tried to load too many sheets of paper. For the maximum paper capacity for each paper source, see "General" on page 203.
The paper size is not set correctly.	Make sure to set the paper guides in the optional paper cassette correctly.

## ***An installed option cannot be used***

<b>Cause</b>	<b>What to do</b>
The installed option is not defined in the printer driver.	<b>For Windows users:</b> You have to make settings manually in the printer driver. See "Making Optional Settings" on page 185.

## ***The optional product is not available***

<b>Cause</b>	<b>What to do</b>
The printer does not recognize the optional product.	Print a configuration status sheet to see if the printer recognizes the optional product. If not, reinstall the optional product.
The setting for recognizing options may be set manually.	See "Making Optional Settings" on page 185 to set the printer driver to automatically update information about options.

## ***Problems Using Optional Staple/Stacker Unit***

For details, see "Problems Using Stapler/Stacker Unit" on page 122.

---

## **Correcting USB Problems**

If you are having difficulty using printer with a USB connection, see if your problem is listed below, and take any recommended actions.

### **USB connections**

USB cables or connections can sometimes be the source of USB problems.

For best results, you should connect the printer directly to the computer's USB port. If you must use multiple USB hubs, we recommend that you connect the printer to the first-tier hub.

### **Windows operating system**

Your computer must have one of the operating systems supported by this printer pre-installed, or be a model upgraded from Windows XP, Vista, Server 2003, or Server 2008 to an operating system supported by this printer. You must not be able to install or run the USB printer driver on a computer that does not meet these specifications or that is not equipped with a built-in USB port.

For details about your computer, contact your dealer.

### **Printer software installation**

Incorrect or incomplete software installation can lead to USB problems. Take note of the following and perform the recommended checks to ensure proper installation.

#### **Checking printer software installation**

When using Windows, you must follow the steps in the *Setup Guide* packed with the printer to install the printer software. Otherwise, Microsoft's Universal driver may be installed instead. To check if the Universal driver has been installed, follow the steps below.

1. Open the **Printers** folder, then right-click the icon of your printer.
2. Click **Printing Preferences** on the shortcut menu that appears, then right-click anywhere in the driver.

If **About** is displayed in the shortcut menu that appears, click it. If a message box with the words “Unidrv Printer Driver” appears, you must reinstall the printer software as described in the *Setup Guide*. If About is not displayed, the printer software has been installed correctly.

**Note:**

For Windows Vista, Vista x64, XP, XP x64, Server 2003, or Server 2003 x64, if the software installation dialog box appears during the installation process, click **Continue Anyway**. If you click **STOP Installation**, you will have to install the printer software again.

---

## Status and Error Messages

You can see the printer's status and error messages on the LCD panel. For more information, see “Status and Error Messages” on page 90.

---

## Canceling Printing

Press the  **Pause/Cancel** button on the printer's control panel.

To cancel a print job before it is sent from your computer, see “Cancelling a Print Job” on page 41.

---

## Printing in the PostScript 3 Mode Problems

The problems listed in this section are those that you may encounter when printing with the PostScript driver. All procedural instructions refer to the PostScript printer driver.

### The printer does not print correctly in the PostScript mode

Cause	What to do
The printer's emulation mode setting is incorrect.	<p>The printer is set to the <b>Auto</b> mode by default, so that it can automatically determine the encoding used in the received print job data and select the appropriate emulation mode. However, there are situations where the printer cannot select the correct emulation mode. In this case, it must be set manually to <b>PS3</b>.</p> <p>Set the emulation mode through the <b>SelectTypeEmulation Menu</b> on the printer. See “Emulation Menu” on page 66.</p>

Cause	What to do
The printer's emulation mode setting for the interface that you are using is incorrect.	<p>The emulation mode can be set individually for each interface which receives print job data. Set the emulation mode for the interface you are using to PS3.</p> <p>Set the emulation mode through the SelectTypeEmulation Menu on the printer. See "Emulation Menu" on page 66.</p>

### ***The printer does not print***

Cause	What to do
An incorrect printer driver is selected.	Make sure that the PostScript printer driver that you are using to print is selected.
The Emulation Menu in the printer's Control Panel is set to a mode other than Auto or PS3 for the interface that you are using.	Change the mode setting to either Auto or PS3.

### ***The printer or its driver does not appear in utilities in the printer configuration (Mac OS only)***

Cause	What to do
The printer name has been changed.	Ask the network administrator for details, then select the appropriate printer name.
The AppleTalk zone setting is incorrect.	Open the <b>Print &amp; Fax</b> , then select the AppleTalk zone that the printer is connected to.

### ***The font on the printout is different from that on the screen***

Cause	What to do
The PostScript screen fonts are not installed.	The PostScript screen fonts must be installed on the computer that you are using. Otherwise, the font that you select is substituted by some other font for display on the screen.
<p><b>For Windows users only</b></p> <p>The appropriate substitution fonts are not correctly specified on the Device Settings tab of the printer's Properties dialog box.</p>	Specify the appropriate substitution fonts using the Font Substitution Table.

## ***The printer fonts cannot be installed***

Cause	What to do
The Emulation Menu in the printer's Control Panel is not set to P <sub>53</sub> for the interface that you are using.	Change the Emulation Menu setting to P <sub>53</sub> for the interface that you are using, then try reinstalling the printer fonts again.

## ***The edges of texts and/or images are not smooth***

Cause	What to do
The Print Quality is set to <b>Fast</b> .	Change the Print Quality setting to <b>Fine</b> .

## ***The printer does not print normally via the USB interface***

Cause	What to do
<p><b>For Windows users only</b></p> <p>The Data Format setting in the printer's Properties is not set to <b>ASCII</b> or <b>TBCP</b>.</p>	<p>The printer cannot print binary data when it is connected to the computer via the USB interface. Make sure that the Data Format setting, which is accessed by clicking <b>Advanced</b> on the PostScript sheet of the printer's Properties, is set to <b>ASCII</b> or <b>TBCP</b>.</p> <p>If your computer is running Windows Vista, Vista x64, XP, XP x64, click the <b>Device Settings</b> tab in the printer's Properties, then click the <b>Output Protocol</b> setting and select <b>ASCII</b> or <b>TBCP</b>.</p>
<p><b>For Mac OS users only</b></p> <p>The print setting in the application is set to binary encoding.</p>	<p>The printer cannot print binary data when it is connected to the computer via the USB interface. Make sure that the print setting in the application is set to ASCII encoding.</p>

## ***The printer does not print normally via the network interface***

Cause	What to do
<p><b>For Windows users only</b></p> <p>The Data Format setting is different from the data format setting specified in the application.</p>	<p>If the file is created in an application that allows you to change the data format or encoding, such as Photoshop, make sure that the setting in the application matches that in the printer driver.</p>

Cause	What to do
<p><b>For Windows users only</b></p> <p>The computer is connected to the network using AppleTalk in a Windows 2000 environment, and the <b>Send CTRL+D Before Each Job</b> or <b>Send CTRL+D After Each Job</b> setting on the Device Settings sheet of the printer's Properties dialog box is set to <b>Yes</b>.</p>	<p>Make sure that both the <b>Send CTRL+D Before Each Job</b> and <b>Send CTRL+D After Each Job</b> settings are set to <b>No</b>.</p>
<p><b>For Windows users only</b></p> <p>The print data is too large.</p>	<p>Click <b>Advanced</b> on the PostScript sheet of the printer's Properties, then change the Data Format setting from <b>ASCII</b> data (default) to <b>TBCP</b> (Tagged binary communications protocol).</p> <p>When the <b>Binary</b> setting is set to <b>On</b>, TBCP is not available. Use the Binary protocol. See "PS3 Menu" on page 79 for details.</p>
<p><b>For Windows users only</b></p> <p>Printing cannot be performed using the network interface.</p>	<p>Click <b>Advanced</b> on the PostScript sheet of the printer's Properties, then change the Data Format setting from <b>ASCII</b> data (default) to <b>TBCP</b> (Tagged binary communications protocol).</p> <p>When the <b>Binary</b> setting is set to <b>On</b>, TBCP is not available. Use the Binary protocol. See "PS3 Menu" on page 79 for details.</p>

### ***An undefined error occurs (Mac OS only)***

Cause	What to do
<p>The version of the Mac OS that you are using is unsupported.</p>	<p>This printer's driver can only be used on Mac OS computers running Mac OS X version 10.5.8 or later.</p>

## Chapter 9

# About the Printer Software

---

## Using the Printer Software for Windows

---

### Using the printer driver

The printer driver is the software that allows you to adjust printer settings to get the best results.

**Note:**

*The printer driver's online help provides details on printer driver settings.*

**Note for Windows Vista users:**

*Do not press the power button or put your computer to standby or hibernate mode manually during printing.*

### Accessing the printer driver

You can access the printer driver directly from any application programs, and from your Windows operating system.

The printer settings made from any Windows applications override the setting made from the operating system.


#### *From the application*

Click **Print**, **Print Setup**, or **Page Setup** from the File menu. As necessary, click **Setup**, **Options**, **Properties**, or a combination of these buttons.

#### *Windows 7 users*

Click the start button, select **Devices and Printers**. Then right-click the printer and select **Printing preferences**.

#### *Windows Vista, Server 2008 users*

Click  **Start**, click **Control Panel**, then double-click **Printers**. Right-click your printer's icon, then click **Printing Preferences**.



*Windows XP, Server 2003 users*

Click **Start**, click **Printers and Faxes**. Right-click your printer's icon, then click **Printing Preferences**.

### **Printing a configuration status sheet**

To confirm the current status of the printer, print a configuration status sheet from the printer driver.

**Note:**

*Print the configuration status sheet on A4 size paper (Landscape.)*

1. Access the printer driver.
2. Click the **Optional Settings** tab and then click **Configuration** in Print Status Sheets.

### **Making Extended Settings**

You can make various settings in the Extended Settings dialog box. To open the dialog box, click **Extended Settings** on the Optional Settings tab.

### **Making Optional Settings**

The printer driver can update the installed option information automatically if **Acquire from Printer** is selected.

1. Access the printer driver.
2. Click the **Optional Settings** tab, then select **Manual Settings**.
3. The Optional Settings dialog box appears.
4. Make settings for each installed option, then click **OK**.

### **Displaying consumable product information**

The remaining service life of the consumable products is displayed on the Basic Settings tab.

**Note:**

- This function is available only when EPSON Status Monitor is installed.*
- This information might be different from the information displayed in EPSON Status Monitor. Use EPSON Status Monitor to get more detailed information about consumable products.*

- ❑ *If the genuine consumable products are not used, the level indicator and the alert icon showing the remaining service life are not displayed.*

### **Ordering consumable products and maintenance parts**

Click the **Order Online** button on the Basic Settings tab. See “Order Online” on page 193 for details.

**Note:**

*This function is available only when EPSON Status Monitor is installed.*


### **Using EPSON Status Monitor**

EPSON Status Monitor is a utility program that monitors your printer and gives you information about its current status.

### **Installing EPSON Status Monitor**

1. Make sure that the printer is off and that Windows is running on your computer.
2. Insert the Software Disc in the CD/DVD drive.

**Note:**

*If the Epson Install Navi screen does not appear automatically, click  **Start**, then click **Computer** (for Windows 7, Vista or Server 2008) or click the **My Computer** icon on the desktop (for Windows XP or Server 2003). Right-click the CD/DVD drive icon, click **Open** in the menu that appears, then double-click **InstallNavi.exe**.*

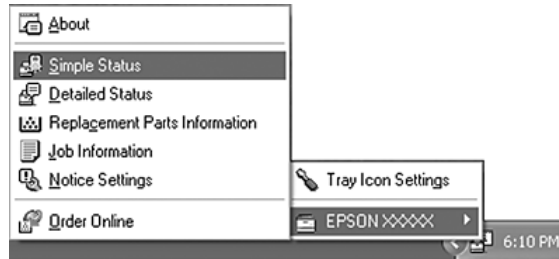
3. Read the license agreement statement, click the check box in the screen, then click **Next**.
4. Make sure that the **Epson Status Monitor** check box is selected, and then click **Install**.
5. When the installation is complete, click **Cancel**.

**Note:**

*If you want to use the printer via the print server, you have to install EPSON Status Monitor from the Software Disc with administrator privileges in each client.*

## Accessing EPSON Status Monitor

Click the EPSON Status Monitor tray icon on the taskbar, then select the printer name and menu you want to access.



### Note:

- ❑ You can also access EPSON Status Monitor by clicking the **Simple Status** button on the *Optional Settings* tab on the printer driver.
- ❑ The *Order Online* dialog box also appears by clicking the **Order Online** button on the *Basic Settings* tab in the printer driver.

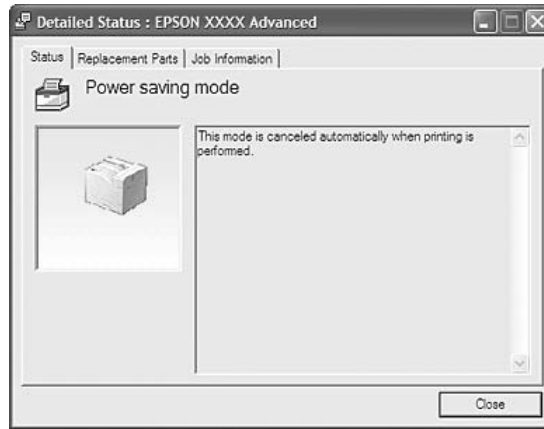
About	You can obtain information about EPSON Status Monitor such as product versions or interface versions.
Simple Status	You can check printer status, errors, and warnings.
Detailed Status*	You can monitor detailed printer status. When a problem occurs, the most probable solution is displayed. See "Detailed Status" on page 188.
Replacement Parts Information*	You can obtain information on paper sources and replacement parts. See "Replacement Parts Information" on page 188.
Job Information*	You can check print job information. See "Job Information" on page 189.
Notice Settings	You can make specific monitoring settings. See "Notice Settings" on page 191.
Order Online	You can order consumable products and maintenance parts online. See "Order Online" on page 193.
Tray Icon Settings	You can set the information to display when the Tray icon is double-clicked while there are no jobs sent from the computer.

\* You can also access any of the menus by clicking the appropriate tab on each information window.

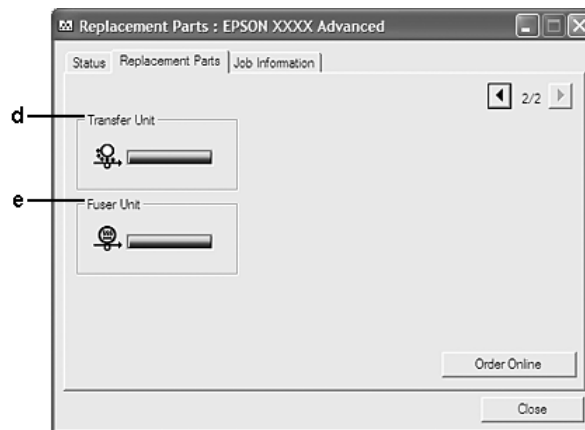
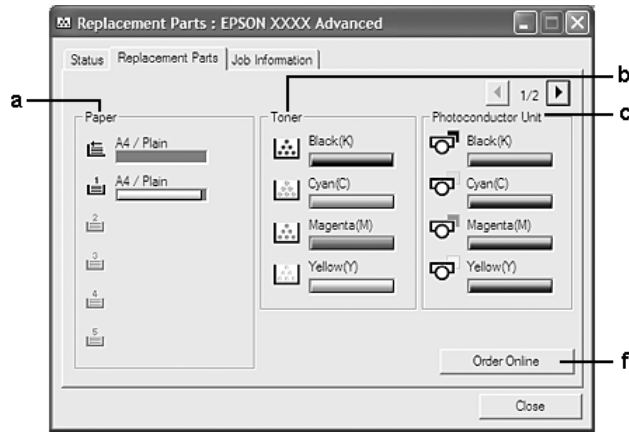
### Note for Windows XP users:

EPSON Status Monitor is not available when printing from a Remote Desktop connection.



## Detailed Status



## Replacement Parts Information



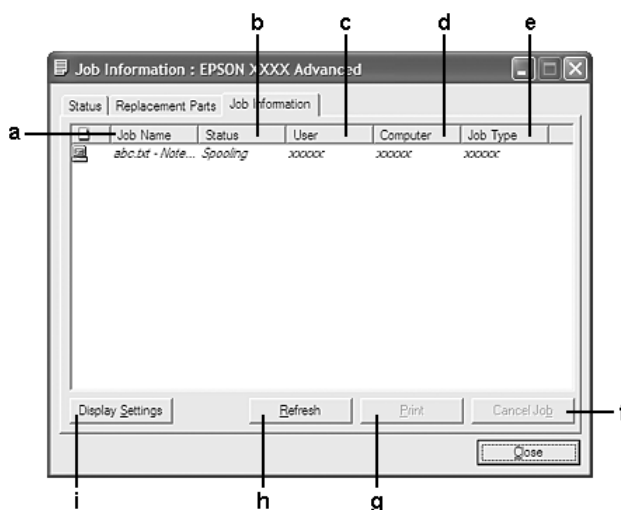
**Note:**

To change the two windows above, click  or .

a.	Paper:	Displays the paper size, the paper type and the approximate amount of paper remaining in the paper source.
b.	Toner:	Indicates the remaining service life of the toner cartridges. The toner icon flashes when the toner cartridge has some error or has neared the end of its service life.
c.	Photoconductor Unit:	Indicates the remaining service life of the photoconductor units. The photoconductor unit icon flashes when the photoconductor unit has some error or has neared the end of its service life.
d.	Transfer Unit:	Indicates the remaining service life of the transfer unit. The service icon flashes when the transfer unit has some error or has neared the end of its service life.
e.	Fuser Unit:	Indicates the remaining service life of the fuser unit. The service icon flashes when the fuser unit has some error or has neared the end of its service life.
f.	Order Online button:	Clicking this button enables you to order consumable products and maintenance parts online. See "Order Online" on page 193 for details.

**Note:**

The remaining service lives of the replacement parts are displayed only if genuine Epson parts are used.

**Job Information**

a.	Job Name:	Displays the user's print job names. Other user's print jobs are displayed as -----.
----	-----------	--

b.	Status:	Waiting:	Indicates the print job is waiting to be printed.
		Spooling:	Indicates the print job is being spooled on your computer.
		Deleting:	Indicates the print job is being deleted.
		Printing:	Indicates the print job is printed currently.
		Completed:	Indicates the print job have finished.
		Canceled:	Indicates the print job have been canceled.
		Held:	Indicates the print job is on hold.
c.	User:	Displays the user name.	
d.	Computer:	Displays the name of the computer that sent the print job.	
e.	Job Type:	Displays the job type. About the Reserve Job function, see "Using the Reserve Job Function" on page 58.	
f.	Cancel Job button:	Cancels the selected print job.	
g.	Print button:	Prints the held status job.	
h.	Refresh button:	Refreshes the information on this menu.	
i.	Display Settings button:	Displays the Display Settings dialog box to select items and the order they are displayed on the Job Information screen and to select the type of jobs to be displayed.	

**Note for Windows XP users:**

*Shared Windows XP LPR connections and shared Windows XP Standard TCP/IP connections with Windows clients do not support the Job Management function.*

The **Job Information** tab is available when the following connections are used:

**Server and Client Environments:**

- When using the shared Windows Server 2008, Server 2008 x64, Server 2003, or Server 2003 x64 LPR connection with Windows Vista, Vista x64, XP, or XP x64 clients.
- When using the shared Windows Vista, Vista x64, Server 2008, Server 2008 x64, Server 2003, or Server 2003 x64 Standard TCP/IP connection with Windows Vista, Vista x64, XP, or XP x64.
- When using the shared Windows Vista, Vista x64, Server 2008, Server 2008 x64, Server 2003, or Server 2003 x64 EpsonNet Print TCP/IP connection with Windows Vista, Vista x64, XP, or XP x64 clients.

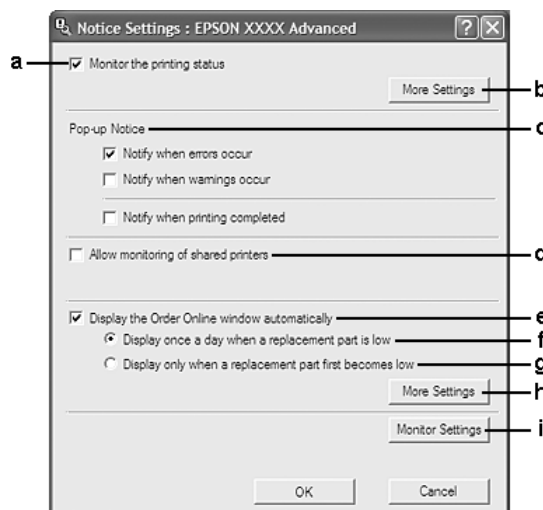
**Client only Environments:**

- When using the LPR connection (in Windows 7, Vista, Vista x64, XP, or XP x64).
- When using the Standard TCP/IP connection (in Windows 7, Vista, Vista x64, XP, or XP x64).
- When using the EpsonNet Print TCP/IP connection (in Windows 7, Vista, Vista x64, XP, or XP x64).

**Note:**

*You cannot use this function in the following situations:*

- When using an optional Ethernet interface card that does not support the job management function.*
- Note that if the user account used to log on to a client is different from the user account used to connect to the server, the job management function is not available.*

**Notice Settings**

a.	Monitor the printing status check box:	When this check box is selected, EPSON Status Monitor monitors the printer status during a print job is processed.
b.	More Settings button:	Opens the More Settings dialog box to set how to display the tray icon.
c.	Pop-up Notice:	Sets the notification to be displayed.

d.	Allow monitoring of shared printers check box:	When this check box is selected, a shared printer can be monitored by other computers.  If you connect the printer via a server with Windows Point & Print and the server and the client are both Windows XP or later, it communicates with the OS communication function. Therefore you can monitor the printer without selecting this check box.
e.	Display the Order Online window automatically check box:	When this check box is selected, the Order Online window appears automatically when a replacement part becomes low or reaches end of service life.
f.	Display once a day when a replacement part is low check box:	When this radio button is selected, the Order Online window appears automatically once a day when you start printing or display the status by accessing EPSON Status Monitor.
g.	Display only when a replacement part first becomes low check box:	When this radio box is selected, the Order Online window appears automatically only when a replacement part first becomes low.
h.	More Settings button:	Opens the More Settings dialog box in which you can set the URL for placing an order appears.
i.	Monitor Settings button:	Opens the Monitor Settings dialog box to set the monitoring interval.

**Note for Windows 7 or Vista users:**

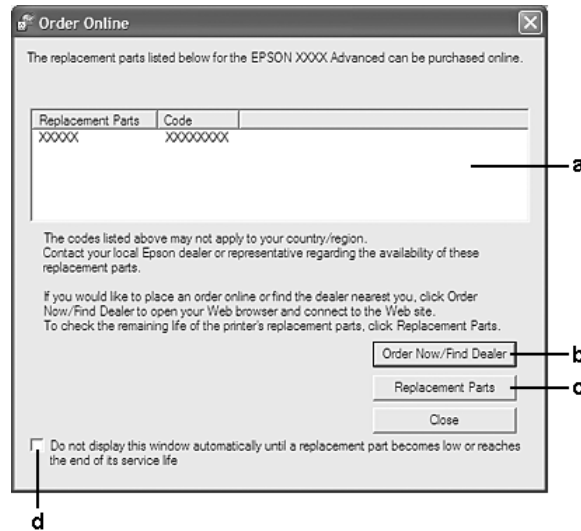
When **Allow monitoring of shared printers** check box is selected, the User Account Control dialog box will appear. Then click **Continue** to make the settings.

**Note:**

When sharing the printer, be sure to set EPSON Status Monitor so that the shared printer can be monitored on the print server.



## Order Online



a.	Text box:	Displays the replacement parts and codes.
b.	Order Now/Find Dealer button:	Connects to the URL where you can place an order and find the dealer nearest you.  If you do not want a confirmation message, select the <b>Do not display the confirmation message before connecting</b> check box in the More Settings dialog box. The More Settings dialog box appears by clicking the <b>More Settings</b> button in the Notice Settings dialog box.
c.	Replacement Parts button:	Displays the replacement parts information.
d.	Do not display this window automatically until a replacement part becomes low or reaches the end of its service life check box:	When this check box is selected, the Order Online window appears automatically only when a replacement part first becomes low or reaches end of service life.

## Uninstalling the printer software

To uninstall the printer software, close all applications first, and then uninstall the printer software from the following menu on the Control Panel.

- Program and Features** (for Windows 7, Vista, Server 2008)
- Change or Remove Programs** (for Windows XP or Server 2003)

Select the printer software that you want to uninstall, and then click the item below.

- Uninstall/Change** (for Windows 7, Vista, Server 2008)
- Change/Remove** (for Windows XP, Server 2003)

**Note:**

*You can uninstall EPSON Network Utility by selecting EPSON Status Monitor from the menu. If you monitor more than one printer on the network using EPSON Status Monitor, and if you uninstall EPSON Network Utility, you cannot display any printer status from EPSON Status Monitor.*

---

## Using the PostScript Printer Driver

### Computer system requirements

#### Windows

	Recommended
<b>OS</b>	Windows 7, 7 x64, Vista, Vista x64, XP, XP x64, Server 2008, Server 2008 x64, Server 2003, or Server 2003 x64
<b>Remarks</b>	No restrictions for these systems

#### Mac OS X

	Recommended
<b>OS Version</b>	Mac OS X 10.5.8 or later
<b>Computer</b>	Power Mac G3, G4, G5, iMac, eMac, PowerBook G3, G4, or iBook

**Note:**

*To use binary data, Epson recommends that you use AppleTalk for the printer's network connection. If you use a protocol other than AppleTalk for the network connection, you need to set Binary to On in the PS3 Menu on the control panel. For details about the settings, see the Network Guide. If you use the printer with a local connection, you cannot use binary data.*

### Using the PostScript printer driver with Windows

To print in the PostScript mode, you will have to install the printer driver. See the appropriate sections below for installation instructions according to the interface that you are using to print.

## **Installing the PostScript printer driver for the USB interface or the parallel interface**

### **Note:**

- ❑ *Installing the printer software for Windows may require administrator privileges. If you have problems, ask your administrator for more information.*
  - ❑ *Turn off all virus protection programs before installing the printer software.*
1. Make sure that the printer is turned off. Insert the printer Software Disc into your CD/DVD drive.
  2. If the printer is connected to a USB interface, connect your computer to the printer with a USB cable, then turn on the printer. If the printer is connected to a parallel interface, go to step 3.

### **Note for Windows Vista users:**

*Without the Windows driver or the Adobe PS driver, the display shows “Found New Hardware.” In this case, click **Ask me again later**.*

3. For Windows 7, click the start button, select **Devices and Printers**, and click the **Add a printer** button.  
For Windows Vista, Vista x64, XP, XP x64, Server 2008, or Server 2008 x64, click **Start**, point to **Printer and Faxes**, and click **Add a printer** in the Printer Tasks menu.  
For Windows 2000, Server 2003, or Server 2003 x64, click **Start**, point to **Settings**, and click **Printers**. Then double-click the **Add Printer** icon.
4. The Add Printer Wizard appears. Then click **Next**.
5. Select **Local printer**, then click **Next**.

### **Note:**

*Do not select the **Automatically detect and install my Plug and Play printer** check box.*

6. If the printer is connected to a USB interface, select **USB**, then click **Next**, or if the printer is connected to a parallel interface, select **LPT1**, then click **Next**.
7. Click **Have Disk** and specify the following path for the Software Disc. If your CD/DVD drive is D:, the path will be D:\Driver\PostScript\eppsnt.inf. Then click **OK**.

### **Note:**

*Change the drive letter as needed for your system.*

8. Select the printer, then click **Next**.
9. Follow the on-screen instructions for the rest of the installation.

10. When installation is done, click **Finish**.

### **Installing the PostScript printer driver for the network interface**

**Note:**

- Set the network settings before installing the printer driver. Refer to the Network Guide that comes with your printer for details.*

- Turn off all virus protection programs before installing the printer software.*

1. Make sure that the printer is turned on. Insert the printer Software Disc into your CD/DVD drive.
2. For Windows 7, click the start button, select **Devices and Printers**, and click the **Add a printer** button.  
For Windows Vista, Vista x64, XP, XP x64, Server 2008, or Server 2008 x64, click **Start**, point to **Printer and Faxes**, and click **Add a printer** in the Printer Tasks menu.  
For Windows 2000, Server 2003, or Server 2003 x64, click **Start**, point to **Settings**, and click **Printers**. Then double-click the **Add Printer** icon.

3. The Add Printer Wizard appears. Then click **Next**.

4. Select **Local printer**, then click **Next**.

**Note:**

*Do not select the **Automatically detect and install my Plug and Play printer** check box.*

5. Select the **Create a new port check box and select Standard TCP/IP Port** from the drop-down list. Click **Next**.
6. Click **Next**.
7. Specify the IP address and port name, then click **Next**.
8. Click **Finish**.
9. Click **Have Disk** in the Add Printer Wizard and specify the following path for the Software Disc. If your CD/DVD drive is D:, the path will be D:\Driver\PostScript\epsnt.inf. Then click **OK**.

**Note:**

*Change the drive letter as needed for your system.*

10. Select the printer and click **Next**.

11. Follow the on-screen instructions for the rest of the installation.
12. When installation is done, click **Finish**.

### **Accessing the PostScript printer driver**

You can change the PostScript printer driver settings in the PostScript printer driver. To access the printer driver, see “Accessing the printer driver” on page 184.

## **Using the PostScript printer driver with Mac OS**

### **Installing the PostScript printer driver**

**Note:**

*Make sure that no applications are running on your Mac OS before installing the printer driver.*

*For Mac OS X users*

**Note:**

*Make sure that **Print & Fax** is not open.*

1. Insert the printer Software Disc into your CD/DVD drive.
2. Double-click the CD/DVD drive icon.
3. Double-click **PostScript** in the **Driver** folder then double-click **PS Installer**.
4. The Install EPSON PostScript Software screen appears, click **Continue**, then follow the on-screen instructions.
5. Easy Install is displayed on the screen. Click **Install**.
6. When installation is done, click **Close**.

### **Selecting the printer**

After installing the PostScript 3 printer driver, you need to select the printer.

## In a network environment

### For Mac OS X users

#### **Note:**

- Although **EPSON FireWire** appears in the interface pop-up list, you cannot use FireWire for printer connection in the PostScript 3 mode.
  - You need to make the settings for your installed options manually when the printer is connected using USB, IP printing, or Bonjour. When the printer is connected using AppleTalk, the printer software automatically makes the settings.
  - Make sure to specify ASCII as the data format in the application.
1. Open the System Preferences, and then double-click the Print & Fax icon. The Printer List window appears.
  2. Click **Add** in the Printer List window.
  3. Select the protocol or the interface that you are using from the pop-up list.

#### **Note for AppleTalk users:**

Make sure to select **AppleTalk**. Do not select **EPSON AppleTalk**, because it cannot be used with the PostScript 3 printer driver.

#### **Note for IP Printing users:**

- Make sure to select **IP Printing**. Do not select **EPSON TCP/IP**, because it cannot be used with the PostScript 3 printer driver.
- After selecting **IP Printing**, enter the IP address for the printer, then make sure to select the **Use default queue on server** check box.

#### **Note for USB users:**

Make sure to select **USB**. Do not select **EPSON USB**, because it cannot be used with the PostScript 3 printer driver.

4. Follow the instructions as appropriate below to select your printer.

#### **AppleTalk**

Select your printer from the Name List, then select **Auto Select** from the Printer Model List.

#### **IP Printing**

Select **Epson** from the Name List, then select your printer from the Printer Model List.

**USB**

Select your printer from the Name List, then select your printer from the Printer Model List.

**Bonjour**

Select your printer, the printer name is followed by (**PostScript**), from the Name List. Your printer model is automatically selected in the Printer Model List.

**Note for Bonjour users:**

*If your printer model is not automatically selected in the Printer Model list, you need to reinstall the PostScript printer driver. See “Installing the PostScript printer driver” on page 197.*

5. Click **Add**.

**Note for IP Printing users, USB or Bonjour users:**

*Select your printer from the Printer list, then select **Show Info** from the Printers menu. The Printer Info dialog box appears. Select **Installable Options** from the pop-up list, then make the necessary settings.*

6. Confirm that your printer's name is added to the Printer List. Then quit **Print & Fax**.

**Accessing the PostScript printer driver**

You can change the PostScript printer driver settings in the PostScript printer driver.

**Changing the printer setup settings**

You can change or update the printer setup settings according to the options installed in your printer.

**For Mac OS X users**

1. Access the printer driver. The Printer List window appears.
2. Select the printer from the list.
3. Select **Show Info** from the Printers menu. The Printer Info dialog box appears.
4. Make necessary changes to the settings, then close the dialog box.
5. Quit **Print & Fax**.

## ***Using the PCL6 Printer Driver***

To print in the PCL mode, you will have to install the printer driver. Consult the customer support in your region regarding how to get the printer driver and system requirements such as the versions of supported operating systems.



## Appendix A

### Technical Specifications

#### Paper

Since the quality of any particular brand or type of paper may be changed by the manufacturer at any time, Epson cannot guarantee the quality of any type of paper. Always test samples of paper stock before purchasing large quantities or printing large jobs.

#### Available paper types

Paper type	Description
Plain paper	Weight: 60 to 90 g/m <sup>2</sup> (Recycled paper is acceptable. *)
Envelopes	No paste and no tape. No plastic window. (unless specifically designed for laser printers.)
Labels	The backing sheet should be covered completely, with no gaps between labels.
Semi thick paper	Weight: 81 to 105 g/m <sup>2</sup>
Thick paper	Weight: 106 to 163 g/m <sup>2</sup>
Extra thick paper	Weight: 164 to 216 g/m <sup>2</sup>
Coated paper	Weight: up to 105 g/m <sup>2</sup>
Paper with letterhead	Paper and ink of letterheads must be compatible with laser printers.

\* Use recycled paper only under normal temperature and humidity conditions. Poor quality paper may reduce print quality, or cause paper jams and other problems.

#### Paper that should not be used

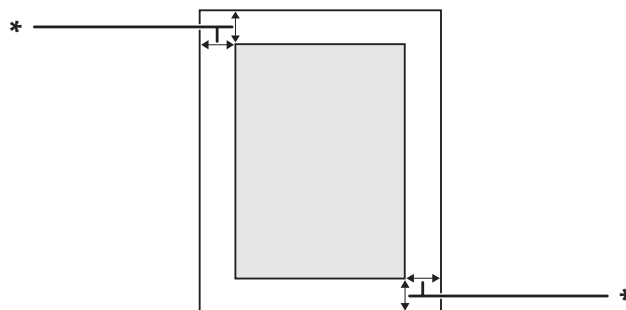
You cannot use the following paper in this printer. It may cause printer damage, paper jams, and poor print quality:

- Media meant for other color laser printers, black-and-white laser printers, color copiers, black-and-white copiers, or ink jet printers

- Previously printed paper by any other color laser printers, black-and-white laser printers, color copiers, black-and-white copiers, ink jet printers, or thermal transfer printers
- Carbon paper, carbonless paper, thermal-sensitive paper, pressure-sensitive paper, acid paper, or paper that uses high-temperature-sensitive ink (around 175 °C)
- Labels that peel easily or labels that do not cover the backing sheet completely
- Special surface-coated paper or special surface-colored paper
- Paper that has binder holes or is perforated
- Paper that has glue, staples, paper clips, or tape on it
- Paper that attracts static electricity
- Moist or damp paper
- Paper of uneven thickness
- Overly thick or thin paper
- Paper that is too smooth or too rough
- Paper that is different on the front and back
- Paper that is folded, curled, wavy, or torn
- Paper of irregular shape, or paper that does not have right angle corners

## ***Printable area***

The assured printable area is an area 4 mm from all sides.



\* 4 mm

**Note:**

*The printable area may be smaller depending on the application.*

---

## Printer

### General

Printing method:	Laser beam scanning and dry electrophotographic process	
Print quality:	4800 RIT*1	
Resolution:	300 × 300 dpi, 600 × 600 dpi, 1200 × 1200 dpi	
Continuous printing speed*2:	Up to 45 pages per minute on A4 size paper	
Paper feed:	Automatic or manual feed	
Paper feed alignment:	Center alignment for all sizes	
Input paper supply:		
MP tray:	plain paper	Up to a 16.2 mm thick stack, or up to 150 sheets (80 g/m <sup>2</sup> )
	envelopes	Up to 16.2 mm
	labels	Up to 16.2 mm
	semi thick paper	Up to a 16.2 mm thick stack
	thick paper	Up to a 16.2 mm thick stack
	extra thick paper	Up to a 16.2 mm thick stack
	coated paper	1 sheet
Standard lower paper cassette:	plain paper	Up to a 54.4 mm thick stack, or up to 550 sheets (80 g/m <sup>2</sup> )
	labels	Up to a 49.4 mm thick stack
	semi thick paper	Up to a 54.4 mm thick stack
	thick paper	Up to a 54.4 mm thick stack
	extra thick paper	Up to a 54.4 mm thick stack
	coated paper	1 sheet

Optional paper cassette unit:	plain paper	Up to a 54.4 mm thick stack, or up to 550 sheets (80 g/m <sup>2</sup> )
	semi thick paper	Up to a 54.4 mm thick stack
	thick paper	Up to a 54.4 mm thick stack
	extra thick paper	Up to a 54.4 mm thick stack
Paper output:	Face-down tray	For all paper types and sizes
Paper output capacity:	Face-down tray	Up to 500 sheets of plain paper (80 g/m <sup>2</sup> )
Printer language:	ECP/Page	
	ESC/P 2 24-pin printer emulation (ESC/P 2 mode)	
	ESC/P 9-pin printer emulation (FX mode)	
	IBM Proprinter emulation (I239X mode)	
	Adobe PostScript3 (PS3 mode)	
	PCL6/PCL5 emulation (PCL mode)	
	PDF 1.6	
Resident fonts:	84 scalable fonts, and 7 bitmap fonts for ESC/Page 95 scalable fonts, and 5 bitmap for PCL5 80 scalable fonts, and 1 bitmap for PCL6 136 scalable fonts for PostScript3	
RAM:	512 MB, expandable up to 1024 MB by adding an optional 512 MB RAM DIMM	

\*1 Resolution Improvement Technology

\*2 Printing speed varies by paper type or other conditions.

## Environmental

Temperature:	In use:	5 to 32°C (41 to 89.6°F)
	Not in use:	0 to 35°C (32 to 95°F)
Humidity:	In use:	15 to 85% RH
	Not in use:	5 to 85% RH
Altitude:	3,100 meters (10,171 feet) maximum	

## Mechanical

Dimensions	Height:	429 mm (16.9 in.)
	Width:	560 mm (22.0 in.) (not including protrusions)
	Depth:	516 mm (20.3 in.)
Weight	Approx. 41.1 kg (about 90.6 lb) (Excluding consumables and options)	

## Electrical

			110-127 V	220-240 V
Rated voltage			110 V-127 V $\pm$ 10%	220 V-240 V $\pm$ 10%
Rated frequency			50/60 Hz $\pm$ 3 Hz	50/60 Hz $\pm$ 3 Hz
Rated current			12.0 A	6.0 A
Power consumption	During printing	Average	549 W (color mode)	556 W (color mode)
			526 W (black-and-white mode)	527 W (black-and-white mode)
		MAX	1300 W	1380 W
	During ready mode		108 W	107 W
	During preheat mode		67 W	70 W
	During sleep mode*		10.59 W	13.47 W
	During deep sleep mode		2.81 W	4.38 W
	During power off mode		0.07 W	0.30 W

\* Values represent power consumption while all operations are completely suspended. Power consumption varies depending on operating conditions, and whether a type-B interface card is installed.

## Standard and approvals

European model:

Low Voltage Directive 2006/95/EC	EN 60950-1 EN 60825-1
EMC Directive 2004/108/EC	EN 55022 Class B EN 55024 EN 61000-3-2 EN 61000-3-3

---

## Interfaces

### USB interface

Hi-Speed USB - Compatible with the USB 2.0 Specification

**Note:**

- Your computer must support Hi-Speed USB or USB in order to use Hi-Speed USB or USB as the interface to connect your computer to the printer.*
- Since Hi-Speed USB is fully compatible with USB, USB can be used as an interface.*

### Ethernet interface

You can use an IEEE 802.3 1000Base-T/100BASE-TX/10 BASE-T straight-through shielded, twisted-pair interface cable with an RJ45 connector.

---

## Options

### 550-Sheet Paper Cassette Unit

Product code:	C12C802721
Paper size:	A4, A5, B5, Letter (LT), Legal (LGL), Government Legal (GLG), Executive (EXE), User Defined Size (CTM)
Paper weight:	60 to 216 g/m <sup>2</sup> (17 to 57.5 lb)

Paper feed:	Up to two optional paper cassette units can be installed. Automatic feed delivery system Cassette capacity up to 550 sheets
Paper types:	Plain paper, Preprinted paper, Letterhead, Recycled paper, Color paper, Labels, Thick paper, Extra thick paper, Semi thick paper, Special
Dimensions and weight:	
Height:	134 mm (5.3 in.)
Width:	560 mm (22.0 in.)
Depth:	516 mm (20.3 in.)
Weight:	10.8 kg (23.8 lb) including cassette

**Note:**

*This product conforms to CE marking requirements in accordance with EC Directive 2004/108/EC.*

## **1100-Sheet Paper Cassette Unit**

Product code:	C12C802731
Paper size:	A4, A5, B5, Letter (LT), Legal (LGL), Government Legal (GLG), Executive (EXE), User Defined Size (CTM)
Paper weight:	60 to 216 g/m <sup>2</sup> (17 to 57.5 lb)
Paper feed:	This optional unit has two cassettes. One optional paper cassette unit can be installed. Automatic feed delivery system Cassette capacity up to 550 sheets
Paper types:	Plain paper, Preprinted paper, Letterhead, Recycled paper, Color paper, Labels, Thick paper, Extra thick paper, Semi thick paper, Special
Dimensions and weight:	
Height:	351 mm (13.8 in.)
Width:	740 mm (29.1 in.)
Depth:	685 mm (27.0 in.)
Weight:	32 kg (70.6 lb) including cassette

**Note:**

*This product conforms to CE marking requirements in accordance with EC Directive 2004/108/EC.*

## Memory modules

Make sure that DIMM you purchase is compatible with Epson products. For details, contact the store where you purchased this printer or the Epson sales company.

Memory size:	128, 256, or 512 MB
--------------	---------------------

## Parallel Interface Card

This option enables parallel interface connection. Insert the Parallel Interface Card to Type-B interface card slot.

Product code:	C12C824521
---------------	------------

**Note:**

*This product conforms to CE marking requirements in accordance with EC Directive 2004/108/EC.*

## CompactFlash memory

Contact the Epson sales company for detail information.

## 1000-Sheet Stapler/Stacker Unit

Product code:	C12C802741
Available paper size:	A4, A5, A6, B5, Letter (LT), Half Letter (HLT), Legal (LGL), Government Letter (GLT), Government Legal (GLG), Executive (EXE), F4, MON, C10, DL, C5, C6, IB5, User Defined Size (CTM)
Available paper weight:	60 to 216 g/m <sup>2</sup> (16 to 57.5 lb)
Available paper type:	Plain paper, Preprinted paper, Letterhead, Recycled paper, Colored paper, Envelope, Label, Semi-thick paper, Thick paper, Extra-thick paper, Coated paper, Special Paper
Output capacity:	



Plain paper (80 g/m <sup>2</sup> paper)	Between B5 and A4 or Letter (LT)	Up to 1,000 sheets <sup>*1</sup>
	Larger than A4 or Letter (LT)	Up to 750 sheets <sup>*1</sup>
	Smaller than B5	Up to 300 sheets <sup>*1 *2</sup>
Envelope		Up to 50 sheets <sup>*1 *3</sup>
Others		Up to 300 sheets <sup>*1 *2</sup>
With staples:		
Available paper size		A4, B5, Letter (LT), Legal (LGL), Government Letter (GLT), Government Legal (GLG), Executive (EXE), F4, User Defined Size (CTM) <sup>*4</sup>
Available paper weight		60 to 216 g/m <sup>2</sup> (16 to 57.6 lb)
Available paper type		Plain paper, Preprinted paper, Letterhead, Recycled paper, Colored paper, Semi-thick paper, Thick paper, Extra-thick paper, Special paper
Staple capacity		Up to 50 sheets for one copy (When using 80 g/m <sup>2</sup> paper)
Output capacity	Paper smaller than A4 or Letter (LT)	Up to 750 printouts (when using 80 g/m <sup>2</sup> paper) <sup>*1 *2</sup> , or 50 sets of copies <sup>*1 *2</sup>
	Paper larger than A4 or Letter (LT)	Up to 500 printouts (when using 80 g/m <sup>2</sup> paper) <sup>*1 *2</sup> , or 50 sets of copies <sup>*1 *2</sup>
Power supply:		AC 110-127V ±10%, 50Hz/60Hz ±3% supplied by the printer
Power consumption:		65 VA supplied by the printer
Dimensions and weight:		
Height:	525 mm (20.7 in.)	
Width:	490 mm (19.3 in.) including stacker tray (except cover L unit)	
Depth:	516 mm (20.3 in.)	
Weight:	15.7 kg (34.6 lb) including cover L unit	

<sup>\*1</sup> This is only when all stacked printouts are the same type and size of paper. When these are different, output capacity is reduced according to the situation.

<sup>\*2</sup> If the printout is larger than paper already stacked in the stacker tray, output capacity may be reduced to 100 sheets or less.

<sup>\*3</sup> Some types of envelopes may not stack correctly in the stacker tray. The capacity of the stacker tray may be reduced to less than 50 envelopes and they may fall off or the order they are output may be shuffled.

<sup>\*4</sup> The range of available custom paper sizes with staples is 182.0 × 225.0 mm to 215.9 × 355.6 mm.

## Standard and approvals

European model:

Low Voltage Directive 2006/95/EC	EN 60950-1
EMC Directive 2004/108/EC	EN 55022 Class B EN 55024 EN 61000-3-2 EN 61000-3-3

## Consumable Products

### Toner Cartridge

Product code/Model:	Standard Capacity Toner Cartridge (Yellow)	0660*
	Standard Capacity Toner Cartridge (Magenta)	0661*
	Standard Capacity Toner Cartridge (Cyan)	0662*
	Standard Capacity Toner Cartridge (Black)	0663*
	High Capacity Toner Cartridge (Yellow)	0656*
	High Capacity Toner Cartridge (Magenta)	0657*
	High Capacity Toner Cartridge (Cyan)	0658*
	High Capacity Toner Cartridge (Black)	0659*
Storage temperature:	0 to 35°C (32 to 95°F)	
Storage humidity:	15 to 80% RH	

\* This product conforms to CE marking requirements in accordance with EMC Directive 2004/108/EC.

## Photoconductor Unit

Product code/Model:	Photoconductor Unit (Yellow)	1224*
	Photoconductor Unit (Magenta)	1225*
	Photoconductor Unit (Cyan)	1226*
	Photoconductor Unit (Black)	1227*
Storage temperature:	0 to 35°C (32 to 95°F)	
Storage humidity:	15 to 80% RH	

\* This product conforms to CE marking requirements in accordance with EMC Directive 2004/108/EC.

## Waste Toner Collector

Product code:	Waste Toner Collector	0664
Storage temperature:	0 to 35°C (32 to 95°F)	
Storage humidity:	15 to 80% RH	

## Staple Cartridge

Product code:	Staple Cartridge	4002
Packing:	5000 pieces/cartridge × 3	
Storage temperature:	0 to 35°C (32 to 95°F)	
Storage humidity:	15 to 80% RH	

## Maintenance Parts

### Fuser Unit

Product code/Model:	3046/3047*1*2
---------------------	---------------

Storage temperature:	0 to 35°C (32 to 95°F)
Storage humidity:	15 to 85% RH

\*1 This product conforms to CE marking requirements in accordance with EMC Directive 2004/108/EC.

\*2 Fuser unit part numbers vary by location.

## ***Transfer Unit***

Product code/Model:	3048*
Storage temperature:	0 to 35°C (32 to 95°F)
Storage humidity:	15 to 85% RH

\* This product conforms to CE marking requirements in accordance with EMC Directive 2004/108/EC.

## Appendix B

# Where To Get Help

---

## Contacting Epson Support

---

### Before Contacting Epson

If your Epson product is not operating properly and you cannot solve the problem using the troubleshooting information in your product documentation, contact Epson support services for assistance. If Epson support for your area is not listed below, contact the dealer where you purchased your product.

Epson support will be able to help you much more quickly if you give them the following information:

- Product serial number  
(The serial number label is usually on the back of the product.)
- Product model
- Product software version  
(Click **About**, **Version Info**, or similar button in the product software.)
- Brand and model of your computer
- Your computer operating system name and version
- Names and versions of the software applications you normally use with your product

### Help for Users in Europe

Check your **Pan-European Warranty Document** for information on how to contact Epson support.

### Help for Users in Taiwan

Contacts for information, support, and services are:

**World Wide Web (<http://www.epson.com.tw>)**

Information on product specifications, drivers for download, and products enquiry are available.

**Epson HelpDesk (Phone: +0800212873)**

Our HelpDesk team can help you with the following over the phone:

- Sales enquiries and product information
- Product usage questions or problems
- Enquiries on repair service and warranty

**Repair service center:**

Telephone number	Fax number	Address
02-23416969	02-23417070	No.20, Beiping E. Rd., Zhongzheng Dist., Taipei City 100, Taiwan
02-27491234	02-27495955	1F., No.16, Sec. 5, Nanjing E. Rd., Songshan Dist., Taipei City 105, Taiwan
02-32340688	02-32345299	No.1, Ln. 359, Sec. 2, Zhongshan Rd., Zhonghe City, Taipei County 235, Taiwan
039-605007	039-600969	No.342-1, Guangrong Rd., Luodong Township, Yilan County 265, Taiwan
038-312966	038-312977	No.87, Guolian 2nd Rd., Hualien City, Hualien County 970, Taiwan
03-2810606	03-2810707	No.413, Huannan Rd., Pingzhen City, Taoyuan County 324, Taiwan
03-5325077	03-5320092	1F., No.9, Ln. 379, Sec. 1, Jingguo Rd., North Dist., Hsinchu City 300, Taiwan
04-23291388	04-23291338	3F., No.510, Yingcai Rd., West Dist., Taichung City 403, Taiwan
04-23805000	04-23806000	No.530, Sec. 4, Henan Rd., Nantun Dist., Taichung City 408, Taiwan
05-2784222	05-2784555	No.463, Zhongxiao Rd., East Dist., Chiayi City 600, Taiwan
06-2221666	06-2112555	No.141, Gongyuan N. Rd., North Dist., Tainan City 704, Taiwan

Telephone number	Fax number	Address
07-5520918	07-5540926	1F., No.337, Minghua Rd., Gushan Dist., Kaohsiung City 804, Taiwan
07-3222445	07-3218085	No.51, Shandong St., Sanmin Dist., Kaohsiung City 807, Taiwan
08-7344771	08-7344802	1F., No.113, Shengli Rd., Pingtung City, Pingtung County 900, Taiwan

## ***Help for Users in Singapore***

Sources of information, support, and services available from Epson Singapore are:

### ***World Wide Web (<http://www.epson.com.sg>)***

Information on product specifications, drivers for download, Frequently Asked Questions (FAQ), Sales Enquiries, and Technical Support via e-mail are available.

### ***Epson HelpDesk (Phone: (65) 6586 3111)***

Our HelpDesk team can help you with the following over the phone:

- Sales enquiries and product information
- Product usage questions or problems
- Enquiries on repair service and warranty

## ***Help for Users in Thailand***

Contacts for information, support, and services are:

### ***World Wide Web (<http://www.epson.co.th>)***

Information on product specifications, drivers for download, Frequently Asked Questions (FAQ), and e-mail are available.

### ***Epson Hotline (Phone: (66)2685-9899)***

Our Hotline team can help you with the following over the phone:

- Sales enquiries and product information
- Product usage questions or problems
- Enquiries on repair service and warranty

### ***Help for Users in Vietnam***

Contacts for information, support, and services are:

Epson Hotline (Phone): 84-8-823-9239

Service Center: 80 Truong Dinh Street, District 1, Hochiminh City  
Vietnam

### ***Help for Users in Indonesia***

Contacts for information, support, and services are:

#### ***World Wide Web (<http://www.epson.co.id>)***

- Information on product specifications, drivers for download
- Frequently Asked Questions (FAQ), Sales Enquiries, questions through e-mail

#### ***Epson Hotline***

- Sales enquiries and product information
- Technical support

Phone (62) 21-572 4350

Fax (62) 21-572 4357



**Epson Service Center**

Jakarta	Mangga Dua Mall 3rd floor No 3A/B Jl. Arteri Mangga Dua, Jakarta  Phone/Fax: (62) 21-62301104
Bandung	Lippo Center 8th floor Jl. Gatot Subroto No.2 Bandung  Phone/Fax: (62) 22-7303766
Surabaya	Hitech Mall It IIB No. 12 Jl. Kusuma Bangsa 116 – 118 Surabaya  Phone: (62) 31-5355035 Fax: (62)31-5477837
Yogyakarta	Hotel Natour Garuda Jl. Malioboro No. 60 Yogyakarta  Phone: (62) 274-565478
Medan	Wisma HSBC 4th floor Jl. Diponegoro No. 11 Medan  Phone/Fax: (62) 61-4516173
Makassar	MTC Karebosi Lt. III Kav. P7-8 Jl. Ahmad Yani No.49 Makassar  Phone: (62)411-350147/411-350148

## ***Help for Users in Hong Kong***

To obtain technical support as well as other after-sales services, users are welcome to contact Epson Hong Kong Limited.

### ***Internet Home Page***

Epson Hong Kong has established a local home page in both Chinese and English on the Internet to provide users with the following information:

- Product information
- Answers to Frequently Asked Questions (FAQs)
- Latest versions of Epson product drivers

Users can access our World Wide Web home page at:

<http://www.epson.com.hk>

### ***Technical Support Hotline***

You can also contact our technical staff at the following telephone and fax numbers:

Phone: (852) 2827-8911

Fax: (852) 2827-4383

## ***Help for Users in Malaysia***

Contacts for information, support, and services are:

### ***World Wide Web (<http://www.epson.com.my>)***

- Information on product specifications, drivers for download
- Frequently Asked Questions (FAQ), Sales Enquiries, questions through e-mail

### ***Epson Trading (M) Sdn. Bhd.***

Head Office.

Phone: 603-56288288

Fax: 603-56288388/399

### *Epson Helpdesk*

- Sales enquiries and product information (Infoline)

Phone: 603-56288222

- Enquiries on repair services & warranty, product usage and technical support (Techline)

Phone: 603-56288333

## ***Help for Users in India***

Contacts for information, support, and services are:

### ***World Wide Web (<http://www.epson.co.in>)***

Information on product specifications, drivers for download, and products enquiry are available.

### ***Epson India Head Office - Bangalore***

Phone: 080-30515000

Fax: 30515005

### ***Epson India Regional Offices:***

<b>Location</b>	<b>Telephone number</b>	<b>Fax number</b>
Mumbai	022-28261515 /16/17	022-28257287
Delhi	011-30615000	011-30615005
Chennai	044-30277500	044-30277575
Kolkata	033-22831589 / 90	033-22831591
Hyderabad	040-66331738/ 39	040-66328633

Location	Telephone number	Fax number
Cochin	0484-2357950	0484-2357950
Coimbatore	0422-2380002	NA
Pune	020-30286000 /30286001/30286002	020-30286000
Ahmedabad	079-26407176 / 77	079-26407347

### **Helpline**

For Service, Product info or to order a cartridge - 18004250011 (9AM - 9PM) - This is a Toll-free number.

For Service (CDMA & Mobile Users) - 3900 1600 (9AM - 6PM) Prefix local STD code

### **Help for Users in the Philippines**

To obtain technical support as well as other after sales services, users are welcome to contact the Epson Philippines Corporation at the telephone and fax numbers and e-mail address below:

Trunk Line:	(63-2) 706 2609
Fax:	(63-2) 706 2665
Helpdesk Direct Line:	(63-2) 706 2625
E-mail:	epchelpdesk@epc.epson.com.ph

**World Wide Web** (<http://www.epson.com.ph>)

Information on product specifications, drivers for download, Frequently Asked Questions (FAQ), and E-mail Enquiries are available.

**Toll-Free No. 1800-1069-EPSON(37766)**

Our Hotline team can help you with the following over the phone:

- Sales enquiries and product information
- Product usage questions or problems

- ❑ Enquiries on repair service and warranty

## Index

- A**
- Anti-copy (copy protection) function
    - how to use (Windows).....56
  - AUX menu.....77
  - Available paper.....201
- B**
- Bookmark menu.....89
- C**
- Canceling printing.....107, 180
  - Clock menu.....74
  - CompactFlash memory
    - how to install.....142
    - how to remove.....144
    - specifications.....208
  - Confidential Job menu.....74, 106
  - Configuration status sheet
    - how to print.....106, 166
  - Consumable products
    - Replacing.....146
  - Consumables
    - specification (photoconductor unit).....211
    - specification (staple cartridge).....211
    - specification (toner cartridge).....210
    - specification (waste toner collector).....211
  - Contacting Epson.....213
  - Control panel.....107
    - overview.....25
  - Control panel menus
    - about.....60
    - AUX.....77
    - bookmark.....89
    - clock.....74
    - confidential job.....74, 106
    - emulation.....66
    - energy saver.....87
    - ESCP2.....80
    - FX.....83
    - how to access.....60
    - I239X.....85
    - information.....62
    - network.....77
    - panel settings.....60
    - parallel.....75
    - password config.....87
    - PCL.....77
    - printing.....67
    - PS3.....79
    - quick print job.....74, 105
    - reserve job data.....105
    - reset.....73
    - setup.....69
    - support.....89
    - system information.....64
    - tray.....65
    - USB.....76
- D**
- Duplex printing.....45
- E**
- Emulation menu.....66
  - Energy saver menu.....87
  - EPSON Status Monitor
    - Accessing EPSON Status Monitor (Windows).....187
    - Installing EPSON Status Monitor (Windows).....186
    - Job Information (Windows).....189
    - Notice Settings (Windows).....191
    - Order Online.....193
    - Replacement Parts Information (Windows).....188
    - Status (Windows).....188
  - ESCP2 menu.....80
  - Ethernet.....206
- F**
- Fuser unit

Specifications.....	211
FX menu.....	83

**G**

## Guides

Font Guide.....	28
Network Guide.....	28
Online Help.....	28
Setup Guide.....	28
User's Guide.....	28

**H**

Headers and footers.....	50
Help	
Epson.....	213
Hidden Watermark (copy protection) function.....	56
How to register menus as bookmarks.....	61

**I**

I239X menu.....	85
Information menu.....	62
Installing options	
installing a CompactFlash memory.....	142
installing a memory module.....	136
installing a stapler/stacker unit.....	110
installing an interface card.....	140
installing the optional paper cassette unit.....	127
removing a CompactFlash memory.....	144
removing a memory module.....	140
removing a stapler/stacker unit.....	120
removing an interface card.....	142
removing the optional paper cassette unit.....	136
Installing the postScript printer driver (Mac OS).....	197
Installing the PostScript printer driver for the network	
interface (Windows).....	196
Installing the PostScript printer driver for the USB	
interface (Windows).....	195
Interface cards	
how to install.....	140
how to remove.....	142
Interfaces	
ethernet.....	206

USB.....	206
----------	-----

**M**

## Maintenance

printer.....	148
Printer (exposure window).....	150
Printer (pickup roller).....	148

## Maintenance Parts

specification (fuser unit).....	211
specification (transfer unit).....	212

## Maintenance parts

Replacing.....	146
----------------	-----

## Memory module

how to install.....	136
how to remove.....	140
specifications.....	208

## Monochrome Model Compatibility mode.....45

## MP tray

Specifications.....	30
Supported paper.....	30

**N**

Network menu.....	77
-------------------	----

**O**

## Offset function

how to use.....	121
-----------------	-----

## Optional paper cassette unit

how to install.....	127
how to remove.....	136
specifications.....	206, 207

## Options

specifications (CompactFlash).....	208
specifications (memory module).....	208
specifications (optional paper cassette unit).....	206, 207
specifications (parallel interface card).....	208
specifications (stapler/stacker unit).....	208

## Overlay

how to create (Windows).....	51
how to print (Windows).....	53
how to use (Windows).....	51

<b>P</b>	
Paper	
available paper.....	201
loading the lower paper cassette.....	32
loading the MP tray.....	30
printable area.....	202
Special media.....	34
unavailable paper.....	201
Paper Jam B (Cover B).....	161
Paper Jam C5, Paper Jam C4, Paper Jam C3, Paper Jam C2, Paper Jam C1, (All paper cassette).....	165
Paper Jam E5, Paper Jam E4, Paper Jam E3, Paper Jam E2 (Cover E).....	164
Paper Jam L (Cover L).....	158
Paper Jam M (Cover M).....	156
Paper Jam MP (MP tray).....	159
Paper jams	
how to clear.....	155
Paper source	
lower paper cassette.....	32
MP tray.....	30
Parallel menu.....	75
Password config menu.....	87
PCL menu.....	77
Photoconductor unit	
Specifications.....	211
PostScript printer driver	
Accessing the PostScript printer driver (Mac OS)....	199
Accessing the PostScript printer driver (Windows) .....	197
Installing the PostScript printer driver for Mac OS X users.....	197
Selecting a printer in a network environment for Mac OS X users.....	198
Precautions	
Replacing consumable products.....	146
Replacing maintenance parts.....	146
Print layout	
Modifying the print layout.....	46
Printer	
cleaning.....	148
cleaning (exposure window).....	150
cleaning (pickup roller).....	148
consumable products.....	27
electrical.....	205
environmental.....	204
general.....	203
maintenance parts.....	28
mechanical.....	205
optional products.....	26
parts (front view).....	22
parts (inside).....	23
parts (rear view).....	23
standard and approvals.....	205
transporting.....	15
transporting (long distance).....	152
transporting (short distance).....	153
Printer driver	
Accessing the printer driver (Windows).....	184
Uninstalling the Printer software (Windows).....	193
Printer driver settings	
Creating an overlay (Windows).....	51
Delete the form overlay data on the storage.....	55
Duplex printing.....	45
Making a new watermark.....	49
Making Extended settings (Windows).....	185
Making Optional settings (Windows).....	185
Monochrome model compatibility mode.....	45
Offset stacking.....	121
print layout.....	46
Printing multiple print jobs at once.....	57
Printing the copy-protected document.....	56
Printing with an overlay.....	53
Printing with storage form overlay.....	55
Register the storage form overlay data on the storage .....	54
Re-Print Job.....	59
Reserve Job.....	58
staple.....	121
Using a watermark.....	48
Using an overlay.....	51
Using headers and footers.....	50
Using storage form overlay.....	54
Printer software (Windows)	
About.....	184
Printing menu.....	67
Problems	
contacting Epson.....	213
solving.....	213



PS3 menu.....	79	Transporting the printer (long distance).....	152
<b>Q</b>		Transporting the printer (short distance).....	153
Quick Print Job menu.....	74, 105	Tray menu.....	65
<b>R</b>		Troubleshooting.....	90, 106 , 155 , 166 , 180
Relocating the printer.....	15	color printing problems.....	171
Replacement Messages.....	146	memory problems.....	176
Reserve job data.....	105	operational problems.....	167
Reset menu.....	73	options.....	177
<b>S</b>		paper handling problems.....	177
Service.....	213	PostScript 3 mode.....	180
Setup menu.....	69	print quality problems.....	172
Special media		printout problems.....	169
Printing on.....	34	USB problems.....	179
Staple cartridge		<b>U</b>	
specifications.....	211	Unavailable paper.....	201
Stapler/stacker unit		USB.....	206
how to install.....	110	USB menu.....	76
how to remove.....	120	<b>W</b>	
specifications.....	208	Waste toner collector	
Stapling function		Specifications.....	211
how to use.....	121	Watermark	
Status and error messages.....	90	how to make.....	49
Storage form overlay		how to use.....	48
how to delete (Windows).....	55		
how to print (Windows).....	55		
how to register (Windows).....	54		
how to use (Windows).....	54		
Support menu.....	89		
System information menu.....	64		
<b>T</b>			
Toner			
Toner Save mode.....	44		
Toner cartridge			
Specifications.....	210		
Toner Save mode.....	44		
Transfer unit			
Specifications.....	212		