

EN Setup Guide For detailed information and safety recommendations, refer to the User's Manual (installed with the software).

FR Guide d'installation Pour plus d'informations et pour les recommandations de sécurité, référez-vous au Manuel de l'utilisateur (installé avec le logiciel).

ES Guía de instalación Para obtener información detallada y recomendaciones de seguridad, consulte el Manual del usuario (instalado con el software).

PT Manual de instalação Para obter informações e recomendações de segurança detalhadas, consulte o Manual do Utilizador (instalado com o software).

No part of this publication may be reproduced, stored in a retrieval system, or transmitted in any form or by any means, electronic, mechanical, photocopying, recording, or otherwise, without the prior written permission of Seiko Epson Corporation. No patent liability is assumed with respect to the use of the information contained herein. While every precaution has been taken in the preparation of this guide, Seiko Epson Corporation assumes no responsibility for errors or omissions. Neither is any liability assumed for damages resulting from the use of the information contained herein.

Neither Seiko Epson Corporation nor its affiliates shall be liable to the purchaser of this product or third parties for damages, losses, costs, or expenses incurred by purchaser or third parties as a result of: accident, misuse, or abuse of this product or unauthorized modifications, repairs, or alterations to this product, or (excluding the U.S.) failure to strictly comply with Seiko Epson Corporation's operating and maintenance instructions.

Seiko Epson Corporation shall not be liable against any damages or problems arising from the use of any options or any consumable products other than those designated as Original Epson Products or Epson Approved Products by Seiko Epson Corporation.

EPSON is a registered trademark of Seiko Epson Corporation in Japan and other countries/regions.

NOTICE: The contents of this manual are subject to change without notice.

Standards and Approvals

The following standards are applied only to the printers that are so labeled. (EMC is tested using the Epson power supplies.)

North America: FCC Class A, CAN ICES-3 (A)/NMB-3 (A)

WARNING

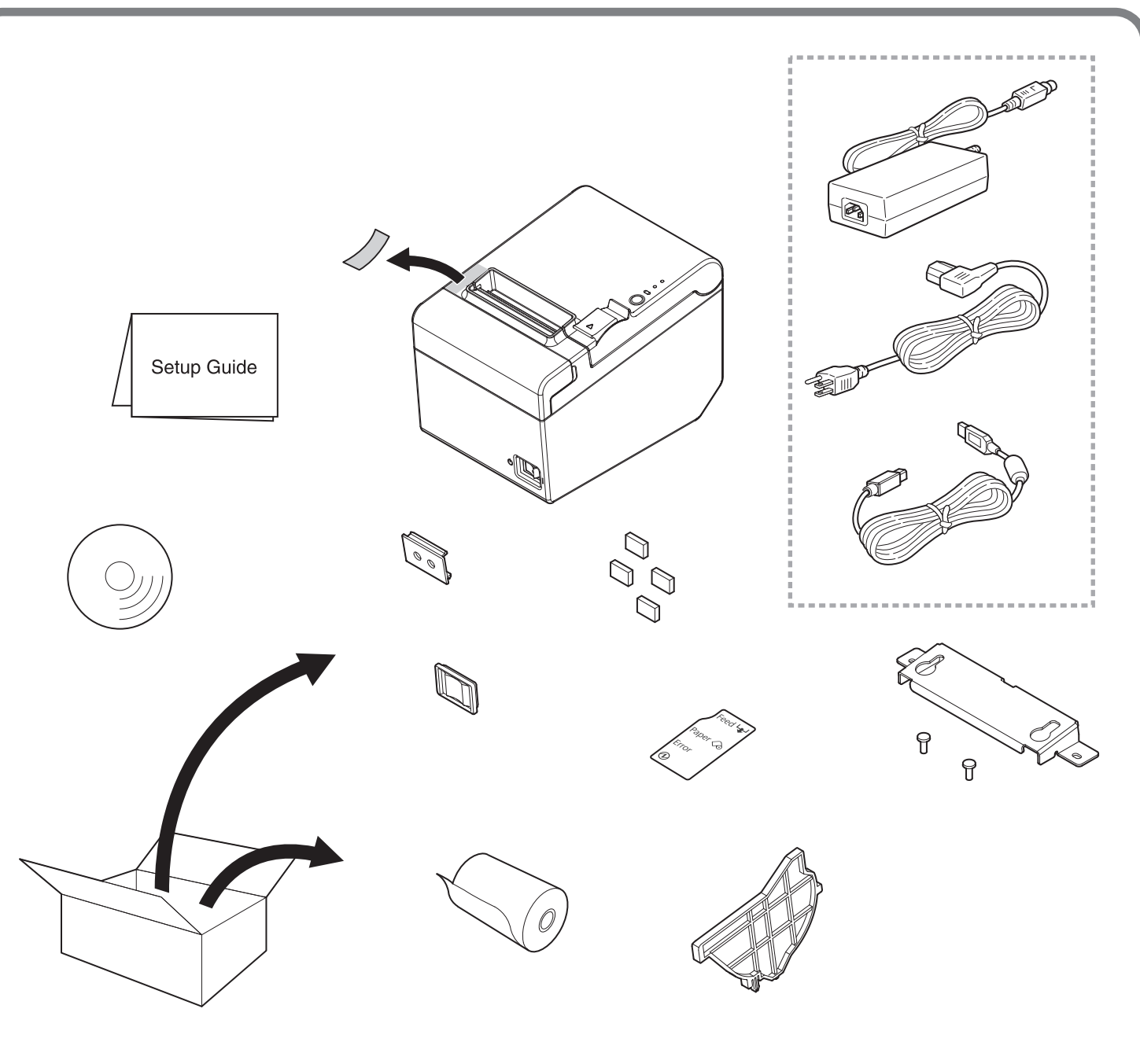
The connection of a non-shielded printer interface cable to this printer will invalidate the EMC standards of this device. You are cautioned that changes or modifications not expressly approved by Seiko Epson Corporation could void your authority to operate the equipment.

FCC Compliance Statement For American Users

This equipment has been tested and found to comply with the limits for a Class A digital device, pursuant to Part 15 of the FCC Rules. These limits are designed to provide reasonable protection against harmful interference when the equipment is operated in a commercial environment.

This equipment generates, uses, and can radiate radio frequency energy and, if not installed and used in accordance with the instruction manual, may cause harmful interference to radio communications.

Operation of this equipment in a residential area is likely to cause harmful interference, in which case the user will be required to correct the interference at his own expense.

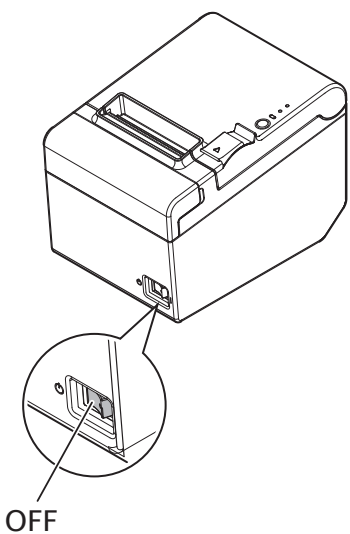


EN Depending on the model, the accessories in the broken line box may not be included. The shape of the accessories varies between models and areas.

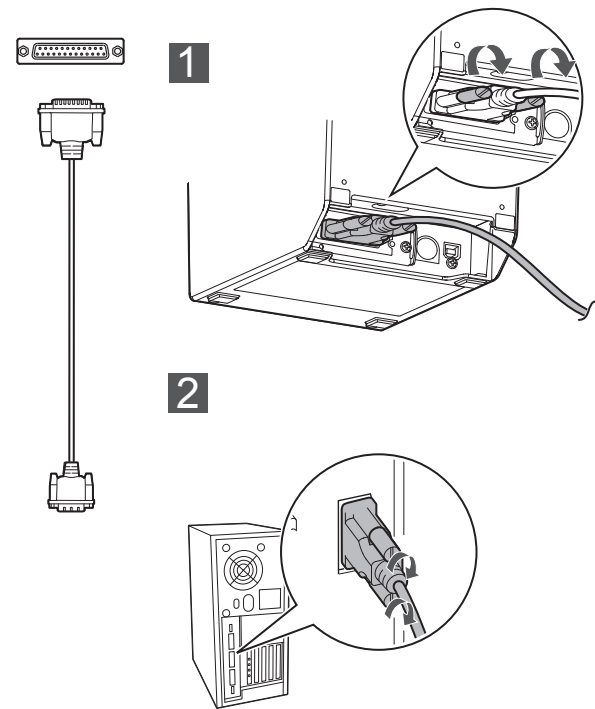
FR En fonction du modèle, il se peut que les accessoires représentés dans le cadre formé par une ligne discontinue ne soient pas fournis. La forme des accessoires varie d'un modèle et d'un pays à l'autre.

ES En función del modelo, los accesorios en el cuadro con la línea discontinua pueden no estar incluidos. La forma de los accesorios varía según el modelo y el área.

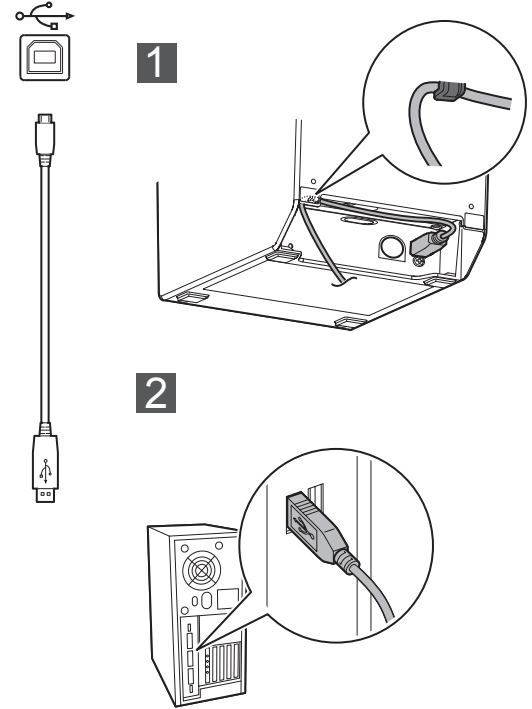
PT Dependendo do modelo, os acessórios na secção picotada poderão não estar incluídos. O formato dos acessórios varia consoante os modelos e zonas.

1**2**

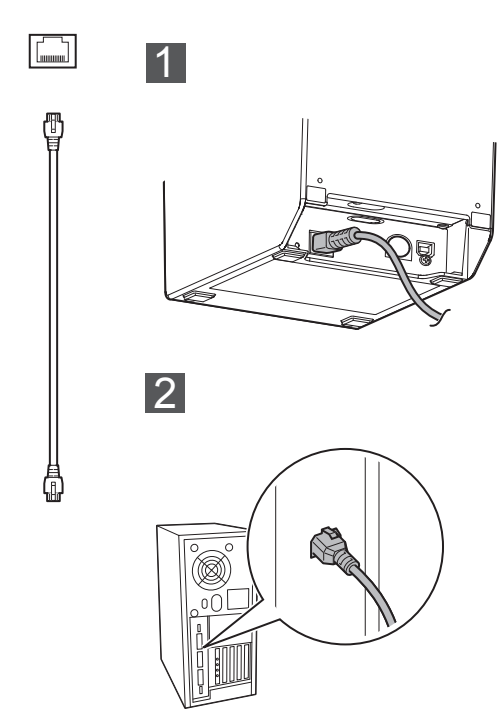
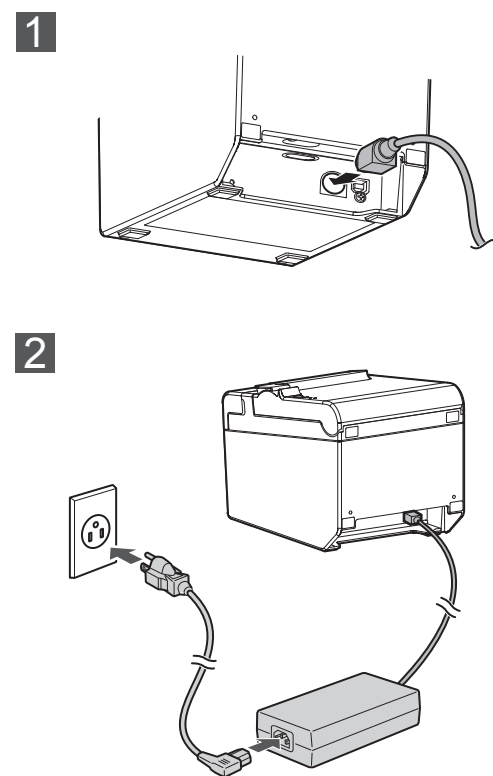
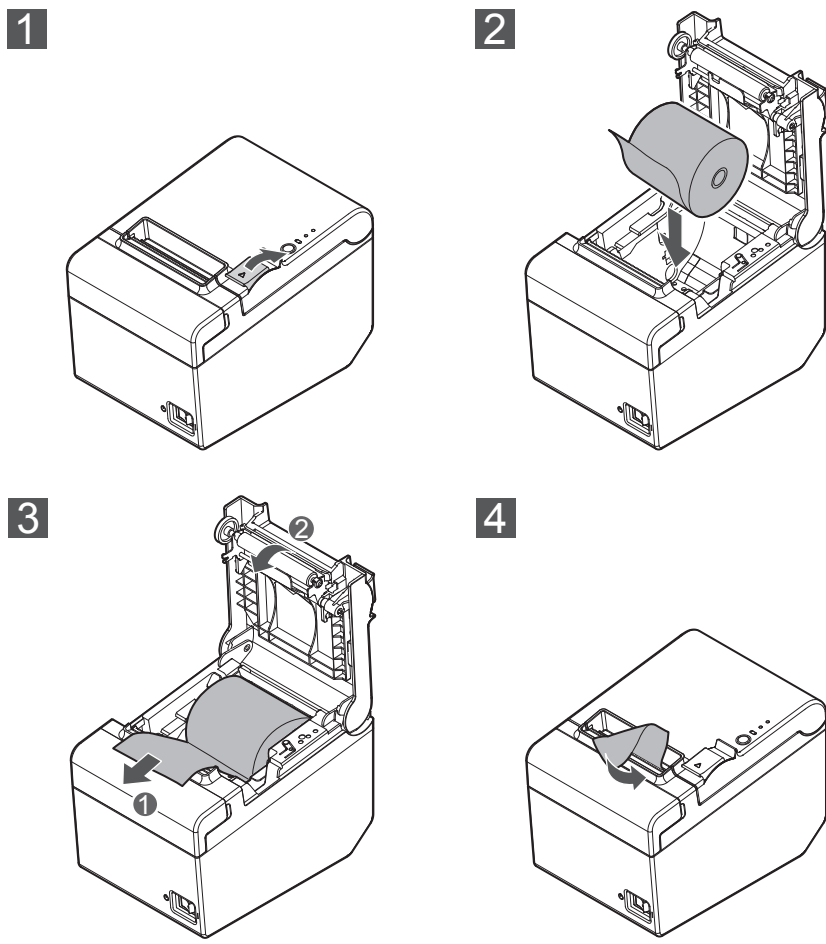
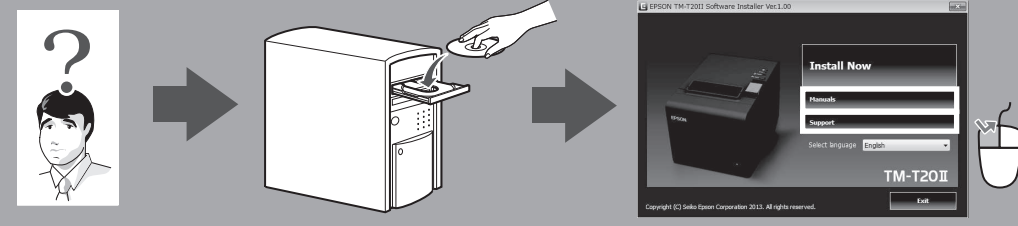
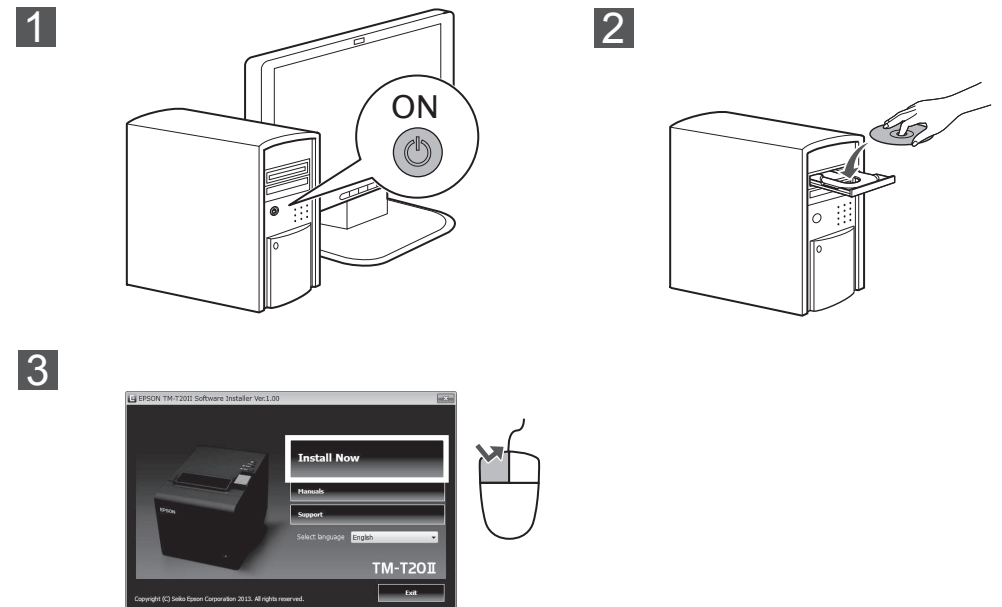
RS-232



USB



10/100BASE-T/TX

**3****4****5**

EN

To use the printer vertically, see the illustrations below for installation. For detailed description and other ways of installation, see the User's Manual.

FR

Pour utiliser l'imprimante verticalement, reportez-vous aux illustrations ci-dessous relatives à l'installation. Pour une description détaillée et d'autres types d'installation, reportez-vous au Manuel de l'utilisateur.

ES

Para utilizar la impresora en posición vertical, refiérase a las ilustraciones a continuación para la instalación. Para una descripción detallada y otras opciones de instalación, consulte el Manual del usuario.

PT

Para visualizar a impressora na vertical, consulte as imagens da instalação apresentadas abaixo. Para obter uma descrição detalhada e outros métodos de instalação, consulte o Manual do Utilizador.

