

FUJITSU Tablet STYLISTIC V727



Congratulations on your purchase of an innovative product from Fujitsu.

The latest information about our products, tips, updates etc. can be found on the Internet at: ["http://www.fujitsu.com/fts"](http://www.fujitsu.com/fts)

You can find driver updates at: ["http://support.ts.fujitsu.com/download"](http://support.ts.fujitsu.com/download)

Should you have any technical questions, please contact:

- our Hotline/Service Desk (["http://support.ts.fujitsu.com/contact/service desk"](http://support.ts.fujitsu.com/contact/service desk))
- Your sales partner
- Your sales office

We hope you enjoy working with your new Fujitsu system!



Published by / Contact address in the EU

Fujitsu Technology Solutions GmbH

Mies-van-der-Rohe-Straße 8

80807 Munich, Germany

["http://www.fujitsu.com/fts/"](http://www.fujitsu.com/fts/)

Copyright

© Fujitsu Technology Solutions GmbH 2018. All rights reserved.

Publication Date

06/2018

Order No.: A26391-K480-Z320-1-7619, edition 1

FUJITSU Tablet STYLISTIC V727

Operating manual

Innovative technology	7
Ports and controls	9
Important notes	12
First-time setup of your device	16
Working with the Tablet PC	19
Accessories for your Tablet PC (optional)	39
Security functions	50
Connecting external devices	59
Settings in BIOS Setup Utility	64
Troubleshooting and tips	67
Technical data	76
Manufacturer's notes	80
Index	81

Remarks

Information on the product description meets the design specifications of Fujitsu and is provided for comparison purposes. Several factors may cause the actual results to differ. Technical data is subject to change without prior notification. Fujitsu rejects any responsibility with regard to technical or editorial mistakes or omissions.

Trademarks

Fujitsu, the Fujitsu logo and STYLISTIC are registered trademarks of Fujitsu Limited or its subsidiaries in the USA and other countries.

Microsoft and Windows are trademarks or registered trademarks of Microsoft Corporation in the USA and/or other countries.



HDMI and High-Definition Multimedia Interface are trademarks or registered trademarks of HDMI Licensing, LLC.s.

Bluetooth® and the Bluetooth logo are registered trademarks of Bluetooth SIG, Inc.

Adobe Reader is a trademark of Adobe Systems Incorporated.

USB Type-C™ and USB-C™ are trademarks of the USB Implementers Forum in the USA and other countries.

All other trademarks specified here are the property of their respective owners.

Copyright

No part of this publication may be copied, reproduced or translated without the prior written consent of Fujitsu.

No part of this publication may be saved or transferred by any electronic means without the written approval of Fujitsu.

Contents

Innovative technology	7
Further information	7
Notational conventions	8
Ports and controls	9
Important notes	12
Safety notes	12
Additional safety notes for devices with wireless components	12
Caution: Device contains magnets	13
Protecting the display screen	13
Energy saving	13
Energy saving under Windows	13
Travelling with your Tablet PC	14
Before you travel	14
Transporting the Tablet PC	14
Cleaning the Tablet PC	15
First-time setup of your device	16
Unpacking and checking the device	16
Selecting a location	17
Mains adapter connecting	17
Switching on the device for the first time	18
Working with the Tablet PC	19
Status indicators	19
Switching on the Tablet PC	21
Programming the ON/OFF button	21
Switching the Tablet PC off	22
Handwriting recognition	22
Touch screen	22
Select display orientation (portrait or landscape orientation)	23
Using fingers	24
Calibrating the monitor for pen or finger tip input	24
Using the stylus pen	24
Pen position	26
Energy saving functions of the pen	26
Charging the pen battery	26
Setting the pen	27
Calibrating the pen	27
Securing the pen tether (optional)	27
Tablet buttons	28
Camera	29
Rechargeable battery	30
Charging and maintaining the battery	30
Removing and installing the battery	31
Using the power-management features	33
Memory cards	33
Supported formats	33
Inserting the memory card	34
Removing the memory card	34
SIM card (configuration dependent)	35

Inserting the SIM card	35
Removing the SIM card	36
Wireless LAN / Bluetooth / LTE radio components (configuration dependent)	37
Switching the wireless components on and off	37
Setting up WLAN access	37
Access via LTE	37
Ethernet and LAN (optional, only with cradle or adapter cable)	38
GPS	38
Accessories for your Tablet PC (optional)	39
Your cradle (optional)	40
Cradle components	40
Setting up the cradle	40
Connecting the Tablet PC to the cradle	41
Disconnecting the Tablet PC from the cradle	42
Magnetic keyboard (optional)	43
Components of the magnetic keyboard	43
Connecting the Tablet PC to the magnetic keyboard	44
Disconnecting the Tablet PC from the magnetic keyboard	45
Flip-Cover Stand (optional)	45
Insert the Tablet PC into the flip-cover stand	46
Connect the Tablet PC with flip-cover stand to the magnetic keyboard	49
Security functions	50
Setting up the fingerprint sensor (configuration dependent)	51
Using the security lock (cradle only)	51
Configuring password protection in BIOS Setup Utility	52
Protecting BIOS Setup Utility (supervisor and user password)	52
Password protection for booting of the operating system	53
Password protection for the hard disk	54
SmartCard reader (depending on configuration)	55
Inserting the SmartCard	56
Trusted Platform Module - TPM (depending on configuration)	57
Enabling TPM	57
Disabling TPM	57
Enable password entry using the on-screen keyboard (on-screen keyboard for BitLocker password)	58
Connecting external devices	59
Connecting an external monitor	59
Display port (cradle only)	59
VGA monitor port (cradle only)	60
Connecting USB devices	61
USB port with charging function (USB Type-C)	62
How to remove USB devices correctly	62
Headphones/microphone/Line-In/Line-Out/headset combination port	63
Settings in BIOS Setup Utility	64
Starting the BIOS Setup Utility	64
Operating BIOS Setup Utility	65
Exiting BIOS Setup Utility	66
Exit Saving Changes - save changes and exit BIOS Setup Utility	66
Exit Discarding Changes – Discard changes and exit BIOS Setup Utility	66
Load Setup Defaults – Copy Standard Entries	66

Discard Changes – Discard changes without exiting the BIOS Setup Utility	66
Save Changes - save changes without exiting the BIOS Setup Utility	66
Save Changes and Power Off	66
Troubleshooting and tips	67
Help if problems occur	67
The Tablet PC's date or time is incorrect	68
Battery charging indicator not lit	68
The Tablet PC's touchscreen remains dark	68
The display on the Tablet PC's touchscreen is difficult to read.	68
The external monitor remains blank	69
The external monitor is blank or the image is unstable	69
The cursor does not correctly follow the pen movements	69
Pen input not working	70
The Tablet PC does not start after switch on	70
The Tablet PC stops working	70
The printer does not print	71
The wireless connection to a network does not work	71
The battery discharges too quickly	71
SmartCard reader is not recognised.	72
SmartCard PIN forgotten	72
SmartCard lost	72
Acoustic warnings	72
Error messages on the screen	73
Restoring the system under Windows 10	75
Technical data	76
Tablet PC	76
Screen resolutions for integrated screen and external screens	77
Rechargeable battery	78
Mains adapter (65 W) for the Tablet PC with/without the magnetic keyboard	78
Mains adapter (90 W) for the Tablet PC with cradle	78
Cradle (optional)	79
Magnetic keyboard (optional)	79
Manufacturer's notes	80
Disposal and recycling	80
Electrical safety including ergonomic requirements (GS, depending on the device)	80
SAR limit value (Specific Absorption Rate)	80
Other certification markings	80
Index	81

Innovative technology

... and ergonomic design make your device a reliable and convenient companion.

The device boots very quickly, is ready for immediate use and offers a particularly long operating time because of its high capacity battery.

The user-friendly "BIOS Setup Utility" offers powerful password protection functions which can be used to control your Tablet PC's hardware and protect your system better against unauthorised use.



Information on the connections and controls for your Tablet PC can be found in chapter ["Ports and controls", Page 9.](#)

Further information






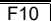


The Windows drivers for your device can be found on our Internet site. The factory installation of your device does not support any other operating system. Fujitsu Technology Solutions accepts no liability whatsoever if any other operating system is used.

Software oriented components of these instructions refer to Microsoft products, if they come within the scope of the delivery.

If you install other software products, pay attention to the operating instructions of the manufacturer.

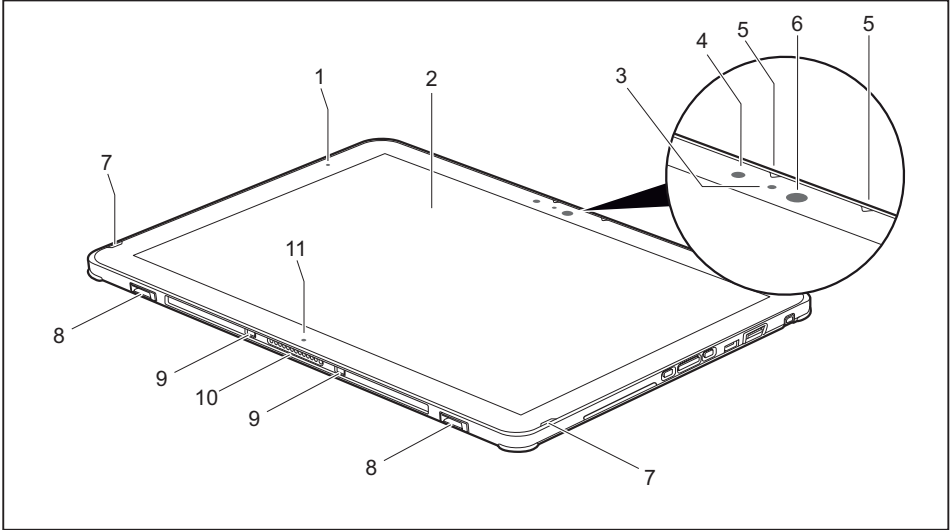
Notational conventions

	Pay particular attention to text marked with this symbol. Failure to observe these warnings could pose a risk to health, damage the device or lead to loss of data. The warranty will be invalidated if the device becomes defective through failure to observe these warnings.
	Indicates important information for the proper use of the device.
	Indicates an activity that must be performed
	Indicates a result
This font	indicates data entered using the keyboard in a program dialogue or at the command line, e.g. your password (Name123) or a command used to start a program (start.exe)
This font	indicates information that is displayed on the screen by a program, e.g.: Installation is complete.
<i>This font</i>	indicates <ul style="list-style-type: none"> terms and texts used in a software interface, e.g.: Click on <i>Save</i> names of programs or files, e.g. <i>Windows</i> or <i>setup.exe</i>.
"This font"	indicates <ul style="list-style-type: none"> cross-references to another section, e.g. "Safety information" cross-references to an external source, e.g. a web address: For more information, go to "http://www.fujitsu.com/fts/" Names of CDs, DVDs and titles or designations for other materials, e.g.: "CD/DVD Drivers & Utilities" or "Safety/Regulations" manual
	indicates a key on the keyboard, e.g: 
This font	indicates terms and texts that are emphasised or highlighted, e.g.: Do not switch off the device

Ports and controls

This chapter presents the individual hardware components of your device. It gives you an overview of the device's indicators and connections. Please familiarise yourself with these components before you start to work with the device.

Front



1 = Power indicator

2 = Touchscreen

3 = Camera LED

4 = Ambient light sensor

5 = Microphone

6 = Camera

7 = Loudspeaker

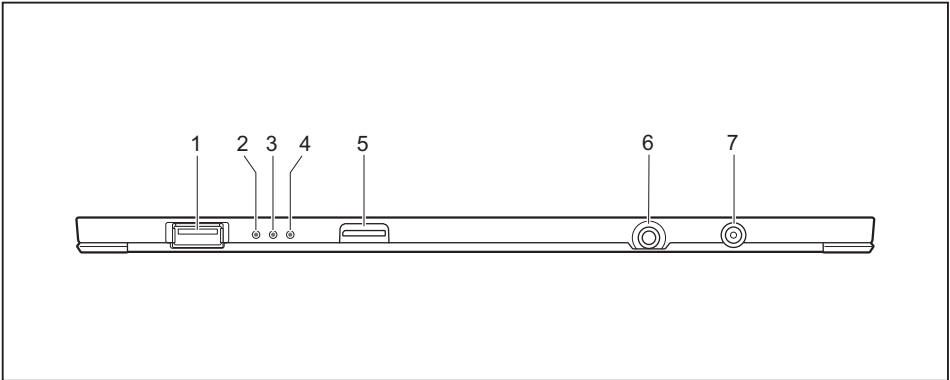
8 = Mechanical fixture for cradle

9 = Mechanical fixture for magnetic keyboard

10 = Docking port

11 = Alignment marking

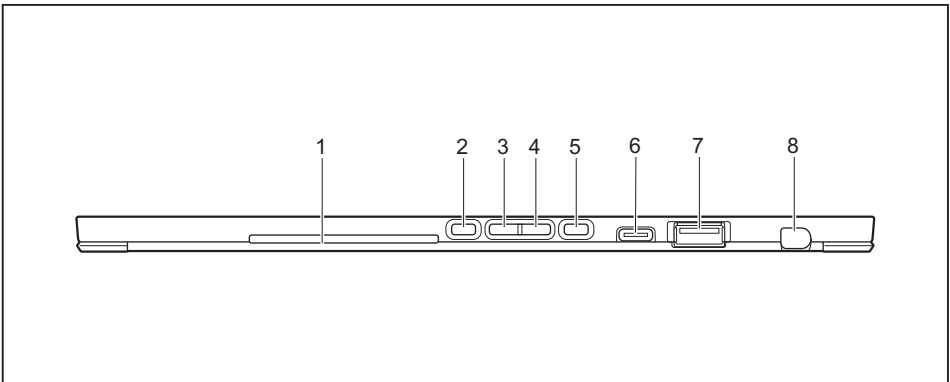
Left side



- 1 = USB port 2.0 (USB Type-A)
- 2 = Power-on indicator
- 3 = Battery charging indicator
- 4 = Wireless indicator

- 5 = Memory card slot
- 6 = Combined headphone and microphone port
- 7 = DC input connector (DC IN)

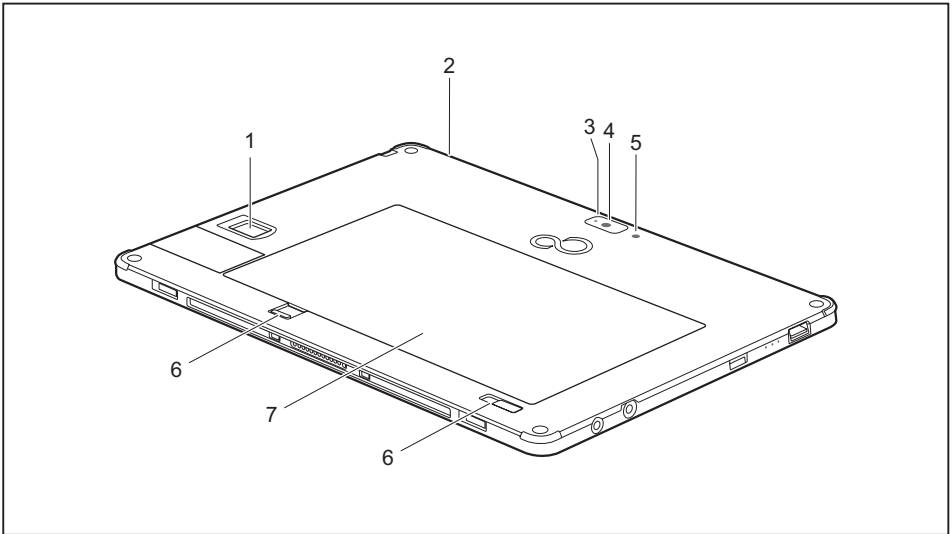
Right side



- 1 = SmartCard slot (configuration-dependent)
- 2 = Shortcut button
- 3 = Volume down button
- 4 = Volume up button

- 5 = ON/OFF button
- 6 = USB 3.1 Gen1 port with charging function (USB Type-C)
- 7 = USB port 3.0 (USB Type-A)
- 8 = Pen slot

Rear



1 = Fingerprint sensor
(configuration-dependent)

2 = Eyelet for pen tether (top of device)

3 = Camera LED

4 = Camera

5 = Camera light

6 = Battery release slider

7 = Battery compartment with SIM card
slot under the battery
(SIM card slot configuration-dependent)

Important notes



This chapter contains essential safety information which must be followed when working with your Tablet PC. The other notes provide useful information on your Tablet PC.

Safety notes



Please follow the safety notes provided in the "Safety/Regulations" manual as well as the safety notes given below.

Please pay special attention to the sections in the manual marked with the symbol on the left.

When connecting and disconnecting cables, observe the relevant notes in this operating manual.

Read the information on the ambient conditions in the "[Technical data](#)", [Page 76](#) chapter and the information in the "[First-time setup of your device](#)", [Page 16](#) chapter before preparing your Tablet PC for use and switching it on for the first time.

When cleaning the device, please observe the relevant notes in the section "[Cleaning the Tablet PC](#)", [Page 15](#).

Pay attention to the additional safety notes for devices with wireless components provided in the "Safety/Regulations" manual.

This Tablet PC complies with the relevant safety regulations for data processing equipment. If you have questions as to whether you can set up the Tablet PC in the intended environment, please contact your sales point or our hotline/help desk.

Additional safety notes for devices with wireless components

If a wireless component (Wireless LAN/ Bluetooth, UMTS/LTE) is integrated in your Tablet PC, you must be sure to observe the following safety precautions when using your Tablet PC:

- Switch off the wireless components when you are in an aircraft or driving in a car.
- Switch off the wireless components when you are in a hospital, an operating room or near a medical electronics system. The transmitted radio waves can impair the operation of medical devices.
- Switch off the wireless components when you let the device get near flammable gases or into hazardous environments (e.g. petrol station, paintshops), as the transmitted radio waves can cause an explosion or a fire.



For information on how to switch wireless components on and off, see chapter "[Switching the wireless components on and off](#)", [Page 37](#).

Caution: Device contains magnets



Magnets generate magnetic fields that can damage items or cause technical malfunctions.

Data on magnetic data storage devices (e.g. credit cards, EC cards or other magnetic stripe cards) might be erased.

The operation of pacemakers can be impaired.

Measuring instruments may be affected.

Keep this device away from items that are sensitive to magnetic fields. Observe the safety distances recommended by the manufacturers for their products. For details, please refer to the manufacturer's instructions.

Protecting the display screen



Do not pour liquids on the device or wash it with a heavily soaked cloth. Do not place items on the top of the screen, or damage may occur.

During normal use of the device, small particles from the environment can become embedded in the pen tip and scratch the screen. The warranty does not cover a scratched screen.

Energy saving

Switch off your Tablet PC if you do not need to use it. Switch off connected external devices if you are not using them. If you use the energy saving functions, the Tablet PC uses less power. You will then be able to work for longer before having to recharge the battery.



Power efficiency is increased and environmental pollution reduced. You save money and help protect the environment.

Energy saving under Windows

- ▶ Make use of the power management features (see ["Using the power-management features", Page 33](#)).

Travelling with your Tablet PC

Please observe the points listed below when travelling with your Tablet PC.

Before you travel

- ▶ Back up important data stored on your hard disk.
- ▶ Switch off the wireless component for data security reasons. With data traffic via a wireless connection, it is also possible for unauthorised third parties to receive data.



Information on activating data encryption is provided in the documentation for your wireless component.

- ▶ If you wish to use your Tablet PC during a flight, check with the airline whether this is allowed.

When travelling in other countries

- ▶ If you are travelling abroad, check that the mains adapter can be operated with the local mains voltage. If this is not the case, obtain the appropriate mains adapter for your Tablet PC. Do not use any other voltage converter!
- ▶ Check whether the local mains voltage and the power cable are compatible. If this is not the case, buy a power cable that matches the local conditions.
- ▶ Ask the appropriate government office for your travel destination, whether you may use your Tablet PC with its installed radio component. Please observe the additional safety instructions for devices with radio components, found in the handbook "Safety/formalities".

Transporting the Tablet PC



Protect the Tablet PC from severe shocks and extreme temperatures (e.g., direct sunlight in a car).

- ▶ Switch off the Tablet PC.
- ▶ Unplug the mains adapter and all external devices from the power socket.
- ▶ Disconnect the mains adapter cable and the data cables for all external devices.
- ▶ To protect against damaging jolts and bumps, use a Tablet PC carrying case to transport your Tablet PC.

Cleaning the Tablet PC



Do not clean any interior parts yourself; leave this job to a service technician.

Only use cleaning products designed for computers. Normal household cleaners and polishes can damage the markings on the keyboard and the Tablet, the paintwork or the Tablet PC itself.

Please ensure that no liquid enters the Tablet PC.

The touchscreen is very sensitive to scratches! Only clean the display surface with a very soft, slightly damp cloth.

- ▶ Switch the Tablet PC off.
- ▶ To prevent the device switching on unintentionally, disconnect the mains plug of the mains adapter from the mains socket and remove the rechargeable battery (see chapter ["Removing and installing the battery", Page 31](#)).
- ↳ The casing surfaces may be cleaned with a dry cloth. If particularly dirty, use a damp cloth that has been dipped in water mixed with mild domestic detergent and then carefully wrung out.

First-time setup of your device



Please read the chapter ["Important notes", Page 12.](#)

If your device is equipped with a Windows operating system, the necessary hardware drivers and supplied software are already pre-installed.

Before you switch on the device for the first time, connect it to the mains voltage using the mains adapter, see ["Mains adapter connecting", Page 17.](#) The mains adapter must be connected during the entire installation process.

A system test is performed when your device is first switched on. Various messages can appear. The display may remain dark for a short time or may flicker.

Please follow the instructions on the screen.

NEVER switch off your device during the first-time setup process.

On delivery, the battery can be found in the battery compartment or in the accessories kit. The battery must be charged if you want to operate your device using the battery.

When used on the move, the built-in battery provides the device with the necessary power. You can increase the operating time by using the available energy-saving functions.

For instructions on how to connect external devices (e.g. mouse, printer) to your Tablet PC, please refer to the operating manual for your device.

Unpacking and checking the device



Should you discover any damage that occurred during transportation, notify your local sales outlet immediately!

- ▶ Unpack all the individual parts.
- ▶ Check your device for any visible damage which may have occurred during transportation.



You may need the packaging in the future, if you need to transport your device.

Selecting a location



Select a suitable location for the device before setting it up. Follow the instructions below when doing so:

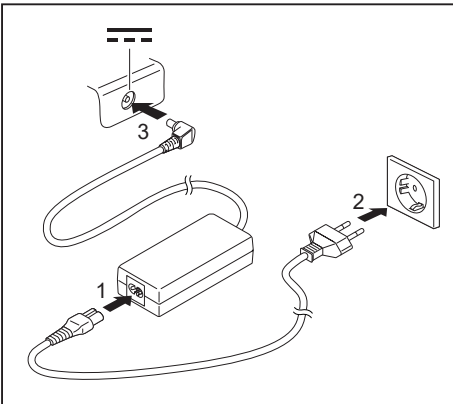
- Never place the device or the mains adapter on a heat-sensitive surface. The surface could be damaged as a result.
- Never place the device on a soft surface (e.g. carpeting, upholstered furniture, bed). This can result in damage caused by overheating.
- The underside of the device heats up during normal operation. Prolonged contact with the skin may become unpleasant or even result in burns.
- Place the device on a stable, flat, non-slippery surface. Please note that the rubber feet of the device may mark certain types of delicate surfaces.
- Keep other objects at least 100 mm / 4 inches away from the device and its mains adapter to ensure adequate ventilation.
- Do not expose the device to extreme environmental conditions. Protect the device against dust, moisture and heat.

Mains adapter connecting



Observe the safety notes in the enclosed "Safety/Regulations" manual.

The supplied power cable conforms to the requirements of the country in which you purchased your device. Make sure that the power cable is approved for use in the country in which you intend to use it.



- ▶ Connect the power cable (1) to the mains adapter.
- ▶ Plug the mains cable (2) into a mains outlet.
- ▶ Connect the mains adapter cable (3) to the DC jack (DC IN) of the device.

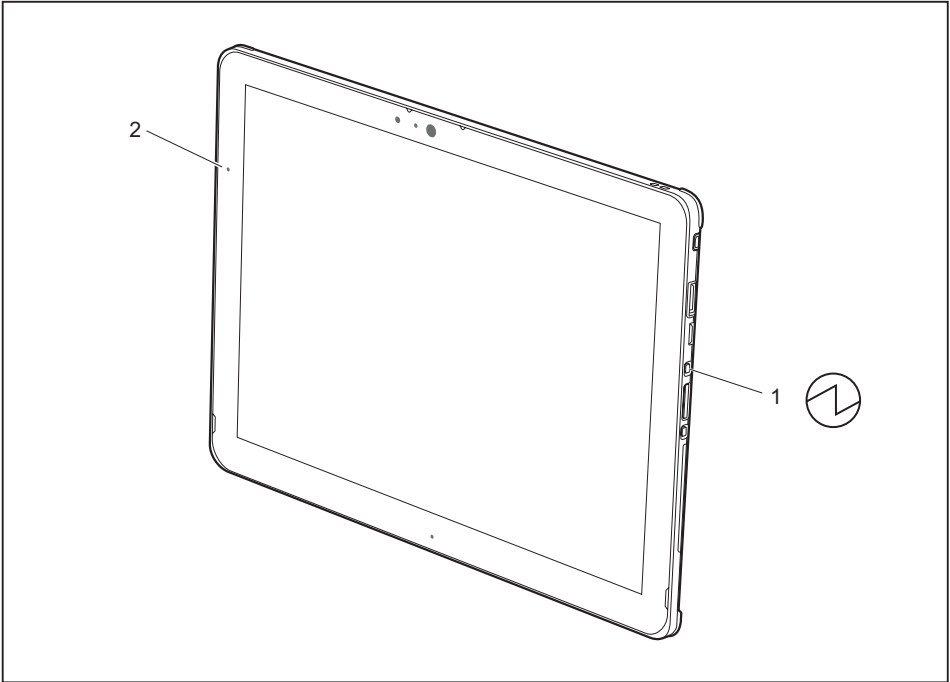
Switching on the device for the first time



When you switch on the device for the first time, the supplied software is installed and configured. Because this procedure must not be interrupted, you should set aside enough time for it to be fully completed and connect the device to the mains using the mains adapter.

During the installation process, **DO NOT** restart the device unless you are requested to do so!

To make it easier to use your device for the first time, the operating system is pre-installed on the hard disk.



- ▶ Press the ON/OFF button (1) for about one second to switch the device on.
- ↳ The power-on indicator (2) lights up as long as the system is switched on.
- ▶ During installation, follow the instructions on screen.



If a Windows operating system is installed on your device, you will find more information on the system and drivers, help programmes, updates, manuals etc. on the device. This information can also be found on the Internet at "<http://www.fujitsu.com/fts/support/>".

You can find information and help on the Windows operating system functions on the Internet at "<http://windows.microsoft.com>".

Working with the Tablet PC

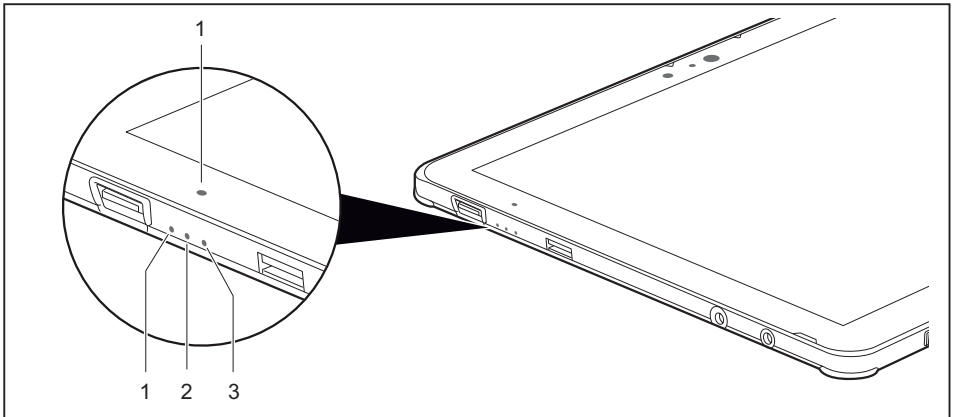
This chapter describes the basics for operating your Tablet PC. You can find instructions on how to connect external devices (e.g. mouse, flash memory) to the Tablet PC in the chapter ["Connecting external devices", Page 59](#).






Please refer to the notes in ["Important notes", Page 12](#).

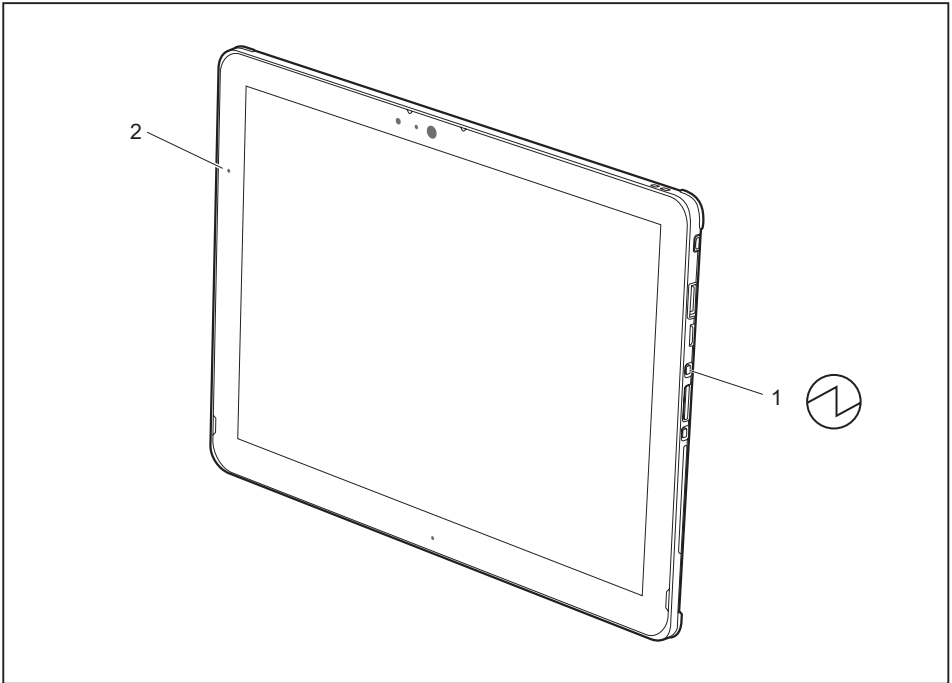
Status indicators

The status indicators (1, 2, 3) provide information about the condition of the power supply, the rechargeable battery and the wireless components.



No.	Status displays	Description
1		<p>Power-on indicator</p> <ul style="list-style-type: none"> • The indicator lights up white: The tablet PC is switched on. • The indicator flashes: The Tablet PC is in sleep mode (Save-to-RAM). • The indicator is not lit: The Tablet PC is switched off or in Save-to-Disk mode.
2		<p>Battery charging indicator</p> <p>Please note: If the mains adapter is connected when the state of charge of the battery is more than 90 %, charging will not be started. When the state of charge of the battery is less than 90 %, the battery will be charged to 100 % as soon as the mains adapter is connected.</p> <ul style="list-style-type: none"> • The indicator light is orange: The battery is being charged. • The indicator is not lit: The battery is not being charged (the battery is already more than 90% charged or the mains adapter is not connected).
3		<p>Wireless components indicator</p> <ul style="list-style-type: none"> • The indicator lights up white: The wireless components are switched on, while the Tablet PC is switched on. • The indicator is flashing: The wireless components are switched on and Wake On Wireless LAN is enabled, while the Tablet PC is in sleep mode or in save-to-disk mode, or is switched off. • The indicator is not illuminated: The wireless components are switched off.

Switching on the Tablet PC



- ▶ Press the ON/OFF button (1) for about one second to switch the device on.
- ↳ The power-on indicator (2) lights up as long as the system is switched on.

Programming the ON/OFF button

You can program the ON/OFF button:

Operating system	Menu
Windows 10	<i>Control Panel - Hardware and Sound - Power Options</i>



If you have assigned a password, you must enter this when requested to do so, in order to start the operating system. Detailed information can be found in the chapter ["Security functions", Page 50](#).

Switching the Tablet PC off



Back up your data and close all applications before you switch off your device. Otherwise data might be lost.

- ▶ Shut down the operating system correctly.
- ▶ If the Tablet PC does not switch off automatically, press the ON/OFF button for about five seconds.

Handwriting recognition

For detailed information on handwriting recognition, see the documentation on your operating system.

At present, handwriting recognition under Windows supports the following languages:

English, German, French, Italian, Japanese, Korean, Chinese (traditional and simplified), Dutch, Portuguese, Spanish, Brazilian, Norwegian (Bokmål and Nynorsk), Swedish, Finnish, Danish, Polish, Rumanian, Serbian (Cyrillic and Latin script), Catalan, Russian, Czech and Croatian.

Under Windows you can set the required language under *Control Panel – Time, Language and Region – Language*.

Touch screen



Information on screen resolution can be found in the section "[Screen resolutions for integrated screen and external screens](#)", [Page 77](#).

High-quality LCD screens (TFT) are installed in Fujitsu Tablet PCs. For technical reasons, these screens are manufactured for a certain resolution. An optimum and sharp image can only be ensured with the resolution intended for the particular screen. A screen resolution which differs from the specification can result in an unclear image.

The screen resolution of your Tablet PC's touchscreen is optimally set at the factory.

With the present standards of production technology, absolutely flawless screen images cannot be guaranteed. There may be a few constantly light or dark pixels (picture elements) on the screen. The maximum permitted number of such faulty pixels is specified in the international standard ISO 9241-307 (Class II).

Example:

A monitor with an HD resolution of 1280 x 1024 has 1,310,720 pixels. Each pixel consists of three subpixels (red, green and blue), so there are almost 3.9 million subpixels in total. According to ISO 9241-307 (class II), a maximum of 3 light and 3 dark pixels and in addition 7 light or 13 dark subpixels or an equivalent mix (1 light subpixel counts as 2 dark subpixels) are allowed to be defective.

Pixel	A pixel consists of 3 subpixels, normally red, green and blue. A pixel is the smallest element that can be generated by complete functionality of the display.
Subpixel	A subpixel is a separately addressable internal structure within a pixel that enhances the pixel function.
Cluster	A cluster contains two or more defective pixels or subpixels in a 5 x 5 pixel block.

Background lighting

LCD screens are operated with background lighting. The luminosity of the background lighting can decrease over the period of use of the Tablet PC. However, you can set the brightness of your screen individually.

Ambient light sensor

If your Tablet PC was shipped with the *Windows* operating system, the screen brightness is regulated by the ambient light sensor according to the particular light conditions. This results in optimum readability and longer battery life at the same time.

If your Tablet PC was shipped with Windows 10, the adaptive brightness setting is enabled. To change the ambient light sensor settings, select *Control Panel - System and Security - Power Options - Change plan settings - Change advanced power options - Display - Activate adaptive brightness setting*.

Synchronising the display on the touchscreen and an external monitor

In Windows 10 you can proceed as follows to set the output type:

- ▶ Wipe your finger over the screen starting from the right-hand edge.
- ▶ Select *All settings*.
- ▶ Look for the keyword "project".
- ▶ Select the required function.

Select display orientation (portrait or landscape orientation)

You can choose to use either portrait or landscape orientation for the display, or whether the display orientation should automatically adapt to the orientation of the Tablet PC.



The automatic adaptation of the display orientation is disabled while a magnetic keyboard is attached.

In the settings there are profiles saved for operation with different screen orientations. These profiles have preset standard configurations that can be modified as desired.

These settings do not just affect the monitor settings on the tablet PC, but also on any external monitors that may be connected.



You can change these settings under *Control Panel - Hardware and Sound - Windows Mobility Center / Rotate screen*.

Using fingers

You can execute certain commands by using your finger tip on the touchscreen of your device.



Everything which you can select or activate using your finger tip can also be selected or activated using the pen.

Calibrating the monitor for pen or finger tip input

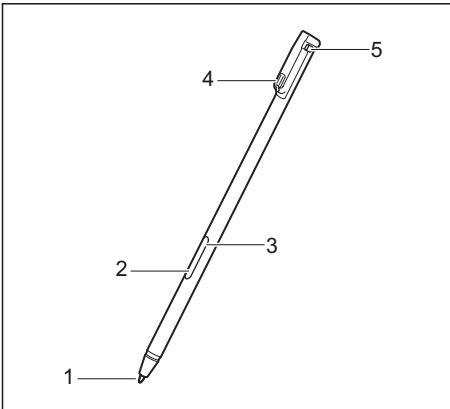


Via the operating system, you must calibrate your tablet PC before first use with your fingers, so that it detects your finger tips as accurately as possible.

As soon as you ascertain that the accuracy is deteriorating, you must recalibrate the device.

Operating system	Menu
Windows 10	To calibrate, call up the <i>Hardware and Sound / Tablet PC Settings</i> function in the Control Panel. You need to calibrate both portrait and landscape formats.

Using the stylus pen



- 1 = pen tip
- 2 = pen button (= delete function)
- 3 = pen button (= right mouse button)
- 4 = charging contacts
- 5 = eyelet for optional pen strap

You can use the pen on your Tablet PC as an electronic writing implement to select items, and to navigate through programs on it. Programs that support handwriting recognition also allow you to write characters directly on the screen with the pen. You can also use the pen as a drawing tool.

A pen tether is available as an optional extra and you can use this to tie the eyelet on the pen to the eyelet on the Tablet PC.



Use only the pen provided with your Tablet PC. Do not use substitutes that were not designed for your Tablet PC. Replace the stylus tip if it is worn. The warranty does not cover a scratched screen.

While writing, you should take care not to scratch the surface of the display (e.g. with a wristwatch or bracelet).



The Tablet PC's pen is an electronic instrument that can be damaged if used improperly. Handle the pen with care.

The following list contains guidelines for proper pen handling:

- Do not gesture with the pen.
- Do not use the pen as a pointer.
- Do not use the pen on surfaces other than the screen of the Tablet PC.
- Do not try to turn the thumb grip on the pen. The grip is used to place the pen in its slot or to remove it from the slot.
- Never store the pen with the tip bearing the weight of the pen (e.g. with the tip down in a pen holder). If the pen is stored with the tip pointing down, this may have an adverse effect on the pen mechanism (particularly at high temperatures). In this case the pen tip may react as though it is constantly being pressed down. To avoid damage, the pen should be stored in the slot when not in use.

The pen can be influenced by electromagnetic fields (cursor quivers or jumps). There may be a few areas on the screen where the cursor quivers slightly in spite of pressing the pen down firmly.

The screen responds to entries made with the tip of the finger or the pen when the tip of the finger or the pen is in direct contact with the screen.

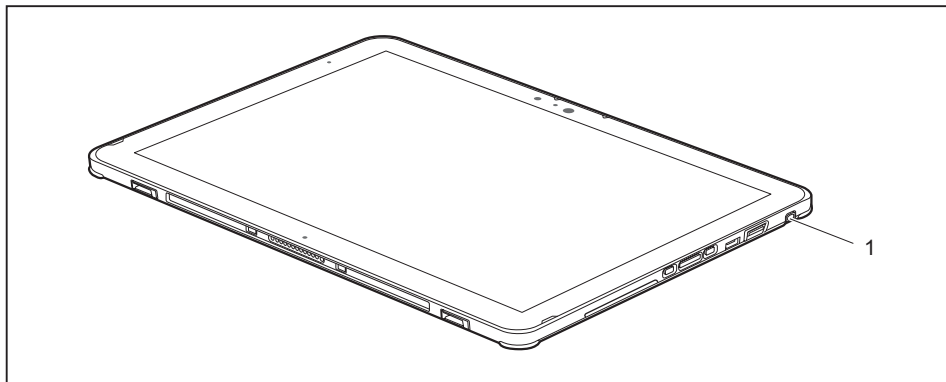
You can use the pen to run all functions for which you would otherwise use a mouse.

Handling	Mouse	Pen
Selecting menu items	Click with the left-hand mouse button.	Touch the menu entry with the pen tip.
Starting programs	Double click with the left-hand mouse button.	Briefly touch the program icon twice with the pen tip.
Moving an object/window	Drag with the left-hand mouse button held pressed.	Place the pen tip directly on the object/window. Hold the pen tip pressed against the screen. Move the desired object/window.
Opening a context menu	Click with the right-hand mouse button.	Place the pen directly on the required element and hold the pen pressed against the screen.
Moving the cursor	-	Place the pen tip directly on the screen.

Pen position



To prevent the pen from becoming jammed in its slot (1), make sure that you always insert the pen into its slot the correct way round (see ["Charging the pen battery", Page 26](#)).



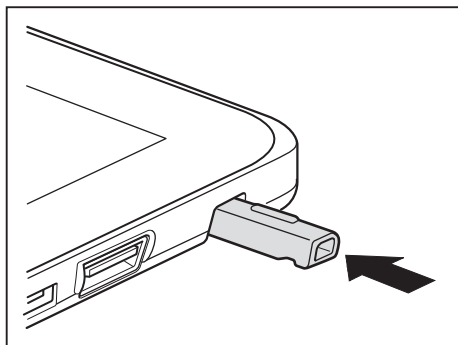
Energy saving functions of the pen

To save energy, the pen automatically switches off after 10 minutes of inactivity and is then in power saving mode.

The pen automatically returns to normal operating mode after the next contact with the pen tip.

Charging the pen battery

The pen contains an integrated battery, which is automatically charged when the pen is fully inserted into its slot. The pen is also charged when the Tablet PC is in power saving mode or is switched off. A charging time of approximately 15 seconds is sufficient to enable the pen to be used for 90 minutes again.



- ▶ Insert the pen fully in the slot.
- ↳ After a charging period of approximately 5 minutes, the pen battery is fully charged.

Setting the pen

Operating system	Menu
Windows 10	You can make various settings for the pen under <i>System Control - Hardware and Sound - Pen and Touch</i> .

Calibrating the pen

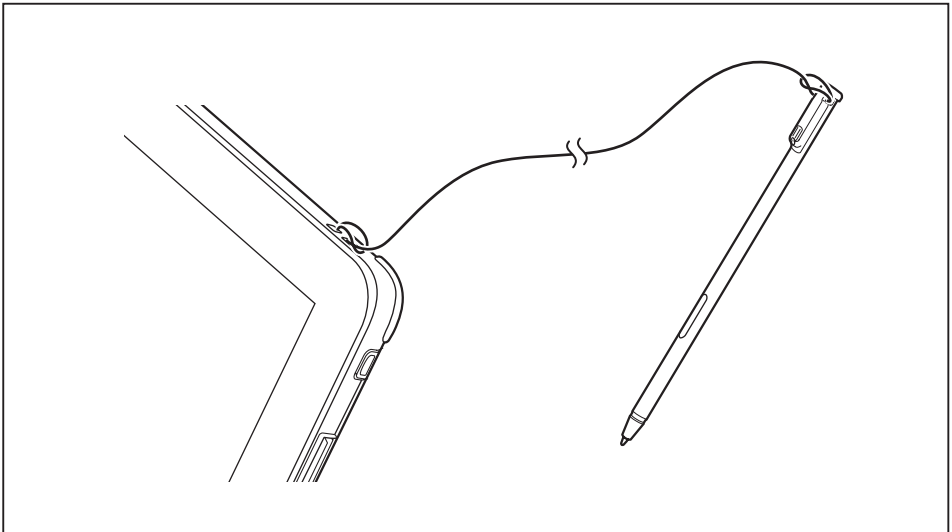
Via the operating system, you must calibrate your tablet PC before first use with the pen, so that it recognises the pen as accurately as possible.

You should also always repeat the calibration if the co-ordination between the pen and cursor movement deteriorates.

Operating system	Menu
Windows 10	To calibrate, call up the <i>Hardware and Sound / Tablet PC Settings</i> function in the Control Panel. You need to calibrate both portrait and landscape formats.

Securing the pen tether (optional)

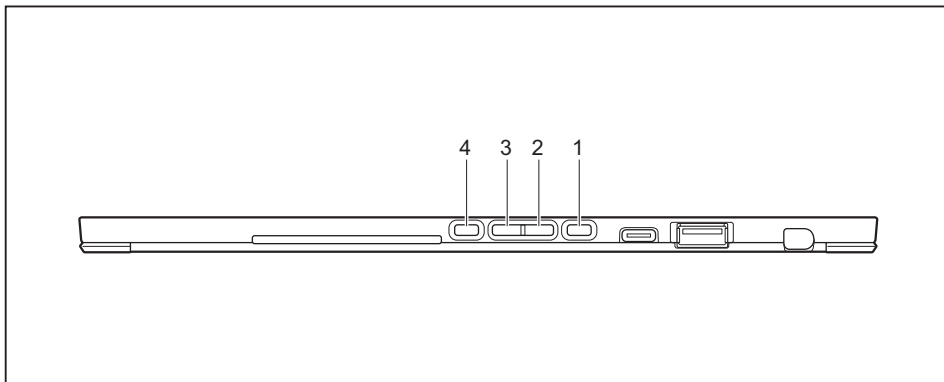
You can attach the pen with an optional pen tether to prevent accidentally dropping it or losing it.



- Secure one end of the pen tether to the pen and the other end to the Tablet PC.

Tablet buttons

In addition to the ON/OFF switch (1), your Tablet PC is also equipped with three tablet buttons.



No.	Description	Functions
2	Volume up button	Increase the volume
3	Volume down button	Decrease the volume
4	Shortcut button	Start function manager or screen shot function



If the ON/OFF switch of the Tablet PC is pressed in combination with the volume-down button, this corresponds to the function of the key combination **Ctrl** + **Alt** + **Del** on a keyboard.

Camera



Your device has two cameras: one on the front of the device and one on the back.

Each camera has its own status indicator. The status indicator lights up when the camera is active.

Depending on the software used, you can use your camera to take pictures, record video clips or take part in web chats.

- The picture quality depends on the lighting conditions and the software being used.
- You can only use the camera with a particular application (e.g. an Internet telephony program or a video conferencing program which supports a camera).
- When using the camera, the Tablet PC support must not shake.
- The camera automatically adjusts itself to the current light level. For this reason the touchscreen may flicker while the light level is adjusted.



Further information on use of the camera and additional settings can be found in the Help function of the program which uses the camera.

Rechargeable battery

For mobile use, the built-in battery provides the Tablet PC with the necessary power. You can increase the life of the battery by caring for the battery properly. The average battery life is around 500 charge/discharge cycles.

You can extend the battery life by taking advantage of the available energy saving functions.

Charging and maintaining the battery

The rechargeable battery of the Tablet PC can only be charged when the ambient temperature is between 5 °C / 41 °F and a maximum temperature of 35 °C / 95 °F.

You can charge the battery by connecting the Tablet PC to the mains adapter (see ["Mains adapter connecting", Page 17](#)).

If the mains adapter is connected when the state of charge of the battery is more than 90%, charging will not be started. When the state of charge of the battery is less than 90%, the battery will be charged to 100% as soon as the mains adapter is connected.

If the battery is running low you will hear a warning alarm. If you do not connect the mains adapter within five minutes of the warning alarm described above, your Tablet PC will switch off automatically.

monitoring the battery charging level

In the system bar / status display there is a battery symbol shown for monitoring the battery capacity. The battery symbol shows you the battery charge.

If you place the mouse cursor over the battery symbol, the system shows you the level of charge of the battery.

Storing the battery

Store battery packs in a dry environment at a temperature between 0°C / 32°F and 30°C / 86°F. The lower the temperature at which the batteries are stored, the lower the rate of self-discharge.



If you will be storing batteries for an extended period (longer than two months), the level of charge of the battery should be about 30 %. To prevent exhaustive discharge which would permanently damage the battery, check the level of charge of the battery at regular intervals.

To be able to make use of the optimum charge capacity of the battery, it should be completely discharged and then fully recharged.



If you do not use the batteries for long periods, remove them from the Tablet PC. Do not store batteries in the device!

Removing and installing the battery



Only use batteries approved by Fujitsu for your tablet PC.

Never use force when fitting or removing a battery.

Make sure that no foreign bodies get into the battery connections.

Never store a battery for longer periods in the discharged state. This can make it impossible to recharge.

Removing the battery



Please observe the safety information in chapter ["Important notes", Page 12](#).

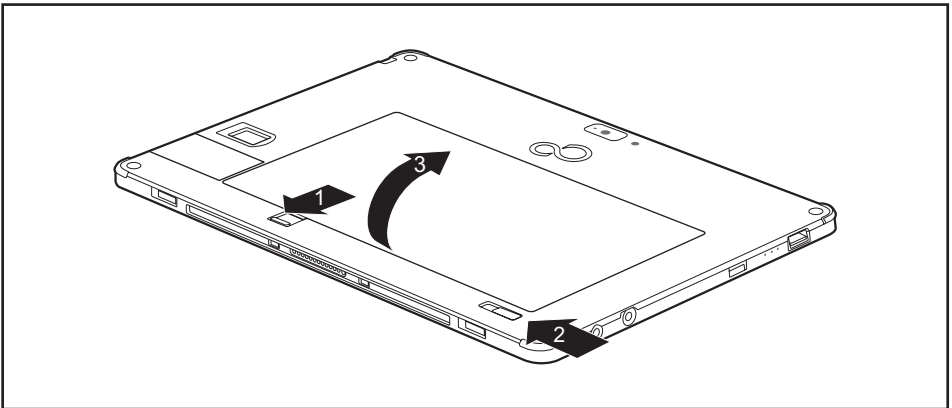
Remove the power plug from the mains outlet!

- ▶ Switch off the tablet PC.



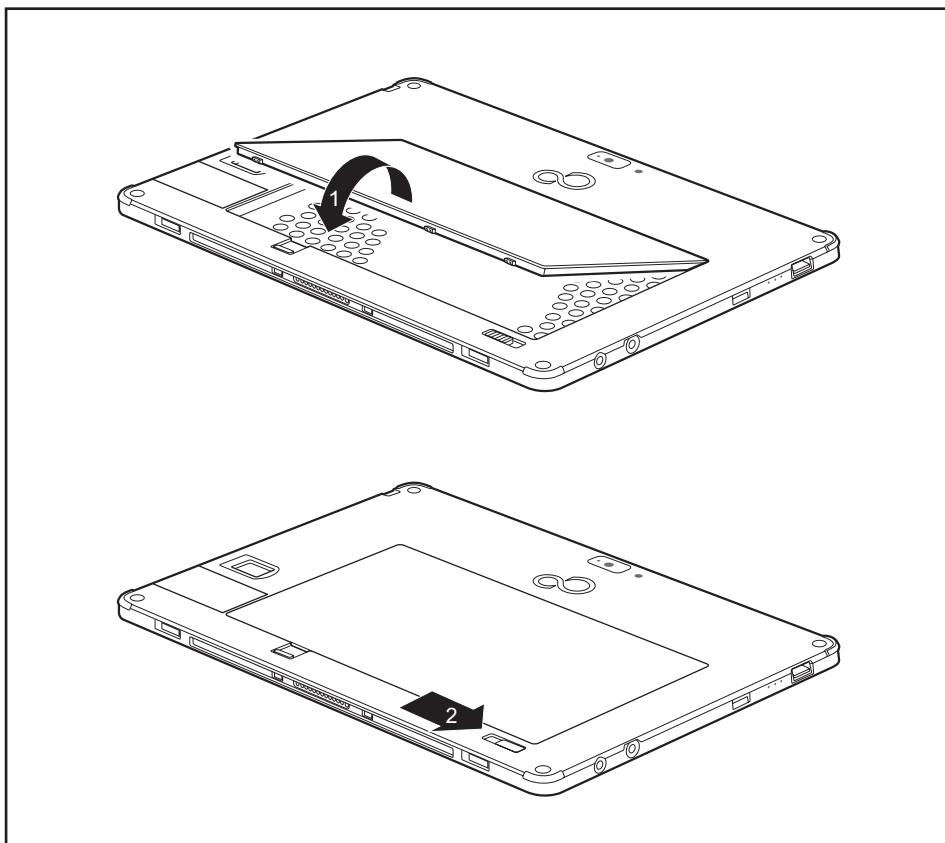
The device must not be in energy-saving mode.

- ▶ Remove all the cables from the device.
- ▶ Turn the device over and place it on a stable, flat and clean surface. If necessary, place a slip-resistant cloth on this surface to prevent the device from being scratched.



- ▶ Slide the battery release in the direction of the arrow (1) and hold it in place.
- ▶ Slide the battery release in the direction of the arrow (2).
- ▶ Lift the battery out of the battery compartment (3).

Installing the battery



- ▶ Insert the battery in the battery compartment (1).
- ▶ Slide the battery release in the direction of the arrow (2).
- ↳ The battery is now secured in place.
- ▶ Turn the Tablet PC the correct way around again and place it on a flat surface.
- ▶ Reconnect the cables that were previously disconnected.

Using the power-management features

The Tablet PC uses less power when the power management features are enabled. You will then be able to work longer when using the battery before having to recharge it.



Power efficiency is increased and environmental pollution reduced. By choosing the best power options, you can make significant savings and at the same time help protect the environment.

- ▶ Select the power management functions in your Control Panel.

When the Tablet PC is in power saving mode, you must remember the following:



During power saving mode, open files are held in the main memory or in a swap file on the hard disk.

Never switch off the Tablet PC while it is in a power saving mode. If the built-in battery is nearly flat, close the open files and do not go into power saving mode.

If you do not intend to use your Tablet PC for a long period of time:

- ▶ Exit the power saving mode if necessary via touching the screen or by switching on the Tablet PC.
- ▶ Close all opened programs and completely shut down the Tablet PC.

Memory cards

Your Tablet PC is equipped with an integrated memory card reader. You can use memory cards to increase the storage of your Tablet PC.



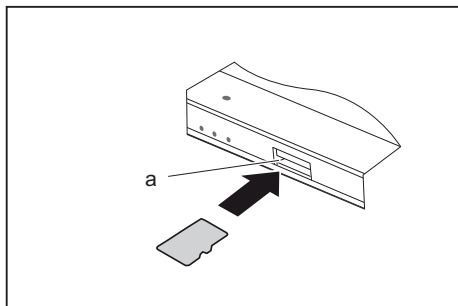
Observe the manufacturer's instructions when handling the memory cards.

Supported formats

It supports the following formats:

- Micro Secure Digital (microSD™ Card)
- microSDHC
- microSDXC

Inserting the memory card

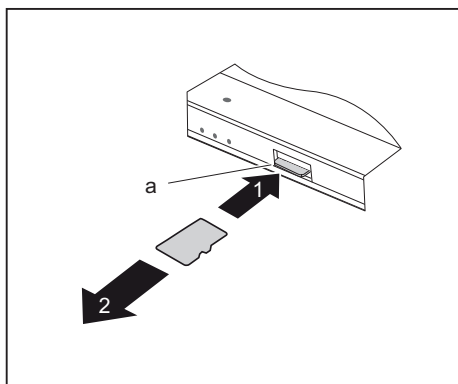


- ▶ Carefully push the memory card into the slot until you feel it click into place. The label area must face the front of the Tablet PC. Do not apply any force, otherwise the delicate contact surfaces could be damaged.

Removing the memory card



To avoid any loss of data, always follow the correct procedure for removing the card (see the documentation for your operating system).



- ▶ Press the edge of the memory card so that the memory card jumps (1) slightly out of the slot (a).
- ▶ Pull the memory card out of the slot (a) in the direction of the arrow (2).

SIM card (configuration dependent)

A SIM card (Subscriber Identity Module) is a chip card which is inserted in a mobile telephone or Tablet PC and, together with an integrated UMTS/LTE module, enables access to a mobile network.



Follow the instructions supplied by the provider of the SIM card.

The SIM card slot is located in the battery compartment and is only accessible after the battery has been removed.

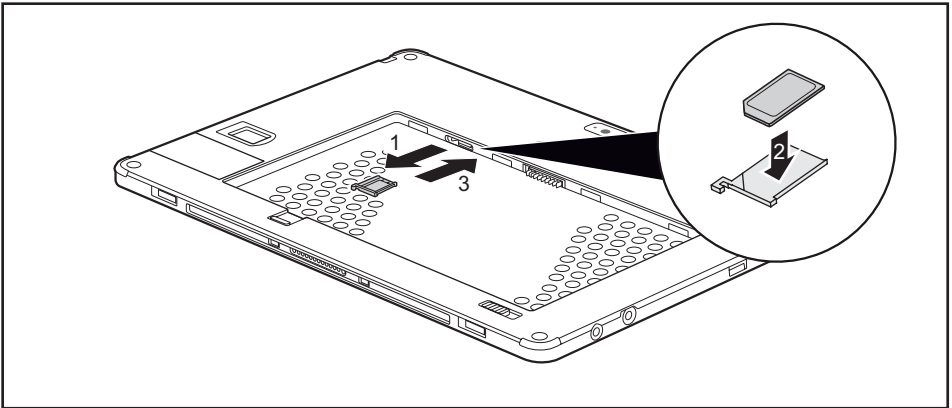


Please note that the SIM card format must be nano-SIM (4FF). Other SIM card formats, such as full-size (1FF), mini-SIM (2FF) or micro-SIM (3FF) do not fit in the SIM card slot of your Tablet PC.

Please do not insert any other format of SIM card as they could jam or could even damage the system.

Inserting the SIM card

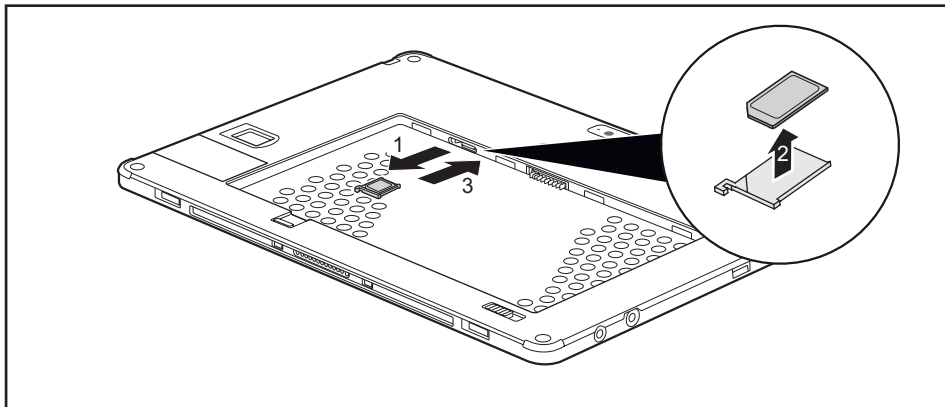
- ▶ Remove the battery, see ["Removing the battery", Page 31.](#)



- ▶ Pull the SIM card holder out of the slot (1).
- ▶ Insert the SIM card (2) into the SIM card holder as shown in the diagram on the SIM card holder.
- ▶ Slide the SIM card holder with the SIM card into its slot (3).
- ▶ Install the battery again, see ["Installing the battery", Page 32.](#)

Removing the SIM card

- ▶ Remove the battery, see ["Removing the battery", Page 31](#).



- ▶ Pull the SIM card holder out of the slot (1).
- ▶ Remove the SIM card from the SIM card holder (2).
- ▶ Slide the SIM card holder back into its slot (3).
- ▶ Install the battery again, see ["Installing the battery", Page 32](#).

Wireless LAN / Bluetooth / LTE radio components (configuration dependent)



The installation of radio components not approved by Fujitsu will invalidate the certifications issued for this device.

Switching the wireless components on and off

wireless components are switched on and off via the corresponding functions of the operating system.

- ▶ To switch wireless components on and off individually, select *Settings – Change PC settings – Network – Airplane mode*.

Setting up WLAN access

- Requirement: A WLAN must be available and you must have the corresponding access information.



Information on configuring the WLAN access can be found in the documentation for your operating system.

Access via LTE

If you ordered an integrated LTE module with your system, you can fully enjoy optimum reception and maximum energy efficiency without the hassle of cables or antennae. An installed LTE module is ready for immediate use.

If you did not order an LTE module, you can purchase the accessories for LTE reception from your retailer or your Fujitsu Technology Solutions dealer.

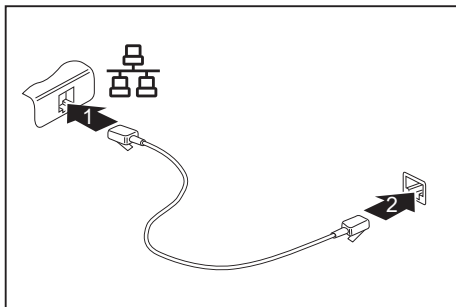
For information about connecting with the LTE network, please see the documentation for the hardware that you will be using.

You can connect your device to the internet via LTE. To do this, use one of the following connection types:

- Integrated LTE module (the type depends on your model variant)
- a USB dongle (a USB stick with your mobile phone provider's SIM card)
- a mobile end-device (e.g. mobile phone with Bluetooth or cable connection)

Ethernet and LAN (optional, only with cradle or adapter cable)

With optionally available accessories, you can establish a connection to a local network (LAN = Local Area Network).



- ▶ Connect the network cable to the LAN port of the accessory (1).
- ▶ Connect the network cable to your network connection (2).



Your network administrator can help you to configure and use the LAN connections.

The network cable is not included in the delivery scope. This type of cable can be obtained from a specialist dealer.

Use a shielded network cable (CAT 5e).

GPS



Whether your device has this function or not depends on the device configuration chosen.

Accessories for your Tablet PC (optional)

The following accessories are available for your Tablet PC:

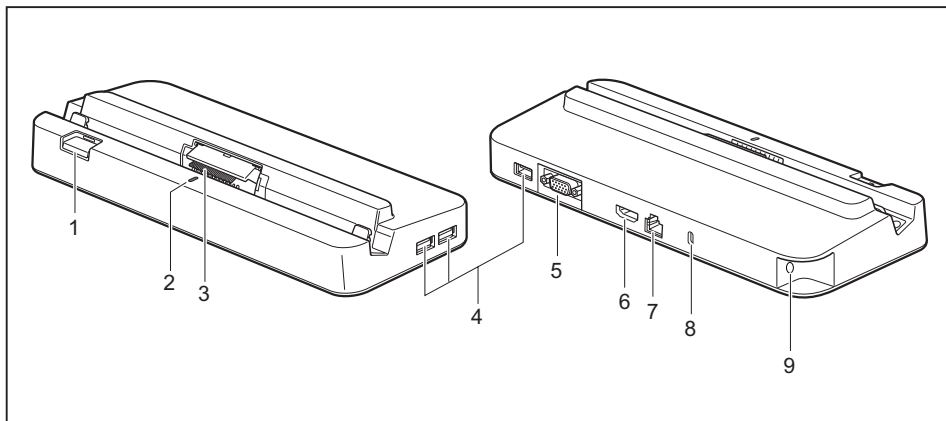
- Cradle for charging the Tablet PC and with additional ports
- Magnetic keyboard
- Flip-cover stand
- USB - LAN adapter cable
- Adapter cable USB Type-C - HDMI

The following sections provide more information on handling the accessories.

Your cradle (optional)

As well as providing rapid charging, your cradle is a device which helps you to quickly connect your tablet PC to your peripheral devices, such as a display, keyboard, mouse, etc. You only need to dock the tablet PC in order to work with your peripheral devices.

Cradle components



- | | |
|--|--------------------------------|
| 1 = Release button | 6 = Display port
HDMI port |
| 2 = Status LED | 7 = LAN port |
| 3 = Connector on the cradle for the docking
port of the Tablet PC | 8 = Security Lock Device |
| 4 = USB 3.0 port (Type-A) | 9 = DC input connector (DC IN) |
| 5 = VGA (video graphics array) screen
connection | |



The status LED (2) of the cradle lights up as soon as the Tablet PC is connected to the cradle, even if the Tablet PC is switched off.

Setting up the cradle



Select a suitable location for the cradle before setting it up. Follow the instructions below when doing so:

- Place the cradle on a flat, stable, nonslippery surface.
- Never place the cradle and the mains adapter on a heat-sensitive surface.
- Do not expose the cradle to extreme environmental conditions.
- Protect the cradle from dust, humidity and heat.

Connecting the Tablet PC to the cradle



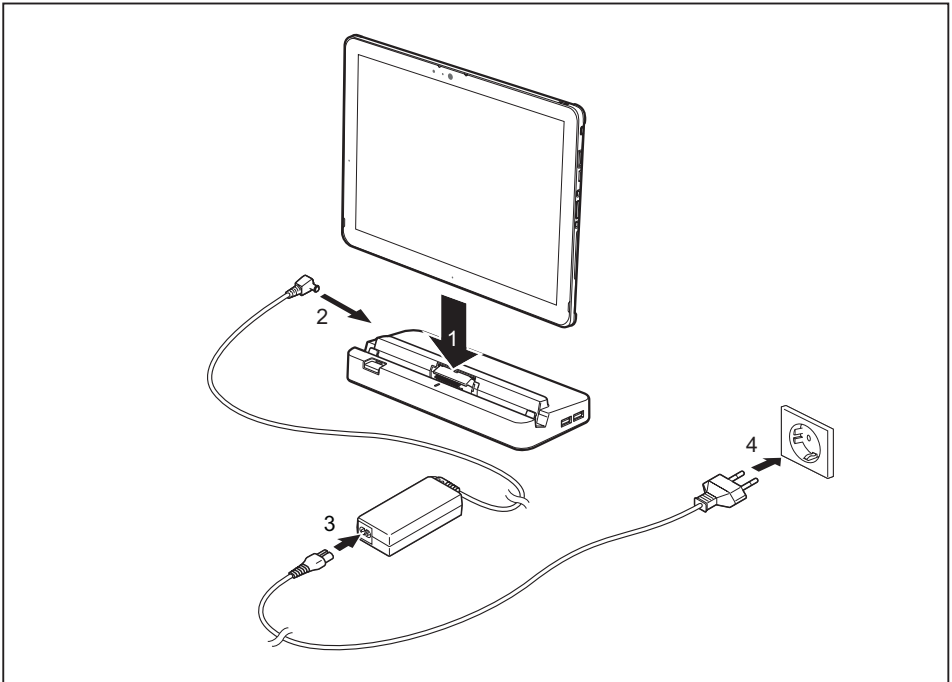
It is possible to connect the Tablet PC to the cradle while it is operating.

Unplug the mains adapter from the Tablet PC before you connect the Tablet PC to the cradle.



If the tablet PC is connected to the cradle, you must connect the mains adapter to the cradle in order to be able to use all of the cradle's functions.

- ▶ Remove the power plug of the mains adapter from the mains socket.
- ▶ Pull the mains adapter cable out of the DC jack (DC IN) of the Tablet PC.

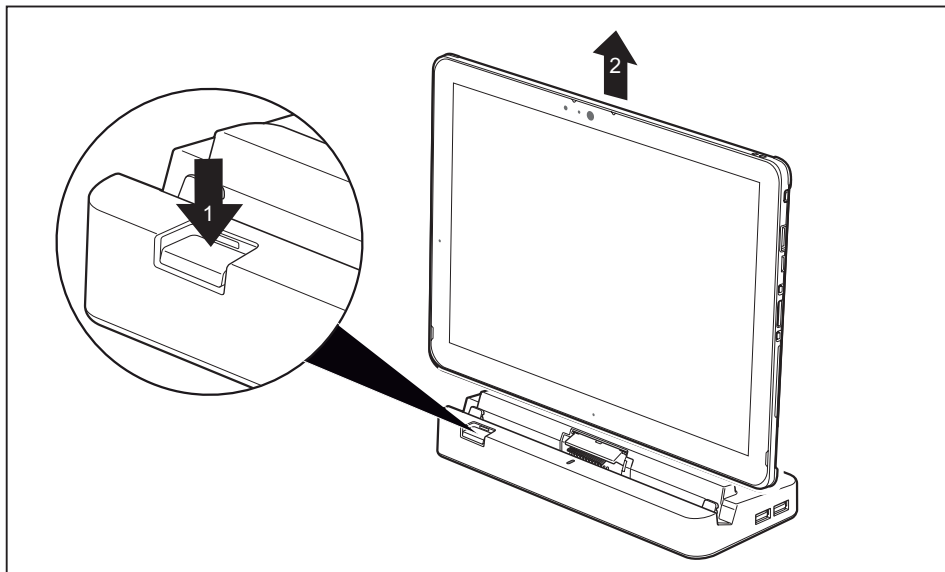


- ▶ Position the Tablet PC so that it lies on the surface of the tray on the cradle.
- ▶ Push the tablet PC onto the cradle in the direction of the arrow (1) until you feel it engage in the connector and until the release button has returned to its original position.
- ▶ Plug the DC output connector on the mains adapter into the DC input connector (DC IN) on the cradle.
- ▶ Connect the power cable to the mains adapter (3).
- ▶ Plug the power cable into the mains socket (4).

Disconnecting the Tablet PC from the cradle



It is possible to separate the Tablet PC from the cradle during operation.

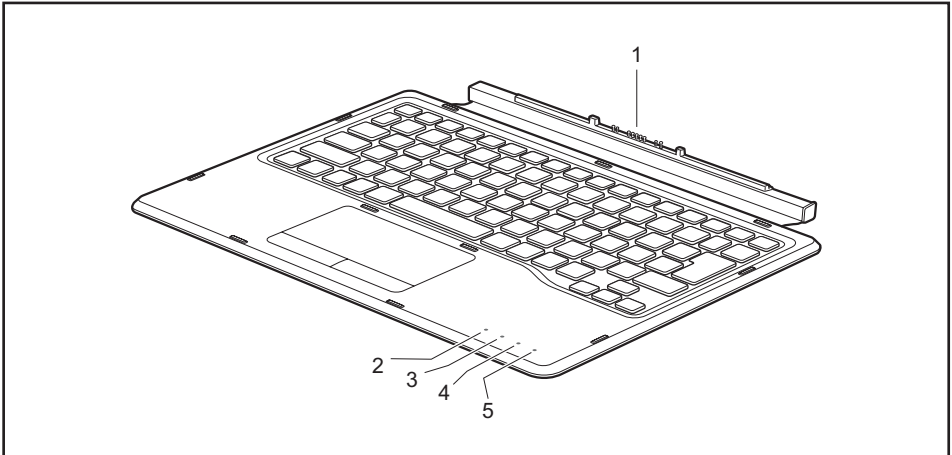


- ▶ Push the release button in the direction of the arrow (1) until it remains in the pressed position (red marking becomes visible).
- ▶ While holding the bottom part of the cradle, lift the Tablet PC away from the cradle in the direction of the arrow (2).

Magnetic keyboard (optional)

The magnetic keyboard is a device which is optimised for the convenient input of text. You only need to dock the Tablet PC.

Components of the magnetic keyboard

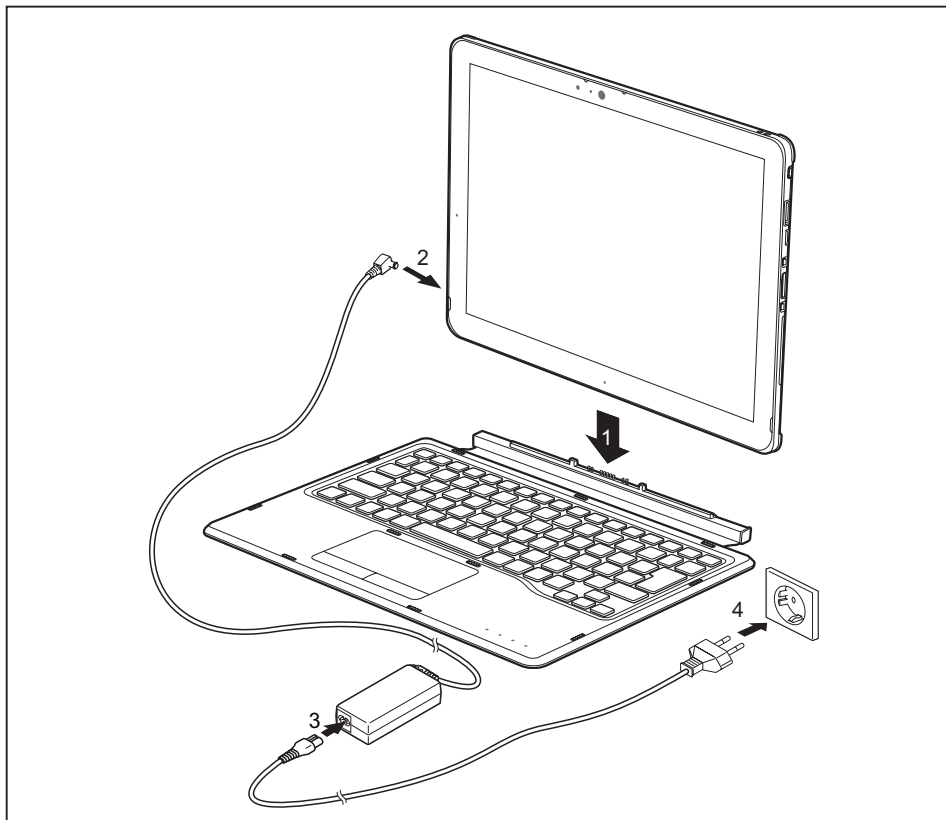


- | | |
|--|---|
| 1 = Docking port for the Tablet PC | 4 = Caps Lock indicator (switch upper case writing function on and off) |
| 2 = Function Lock indicator (execute Fn functions by directly pressing the keys) | 5 = Scroll Lock indicator (scroll, function depends on application program) |
| 3 = Num Lock indicator (switch virtual keypad on and off) | |



A microfibre cloth is provided with your magnetic keyboard. To protect your Tablet PC's touchscreen, we recommend placing the microfibre cloth between the keyboard and the touchscreen when the device is folded closed.

Connecting the Tablet PC to the magnetic keyboard

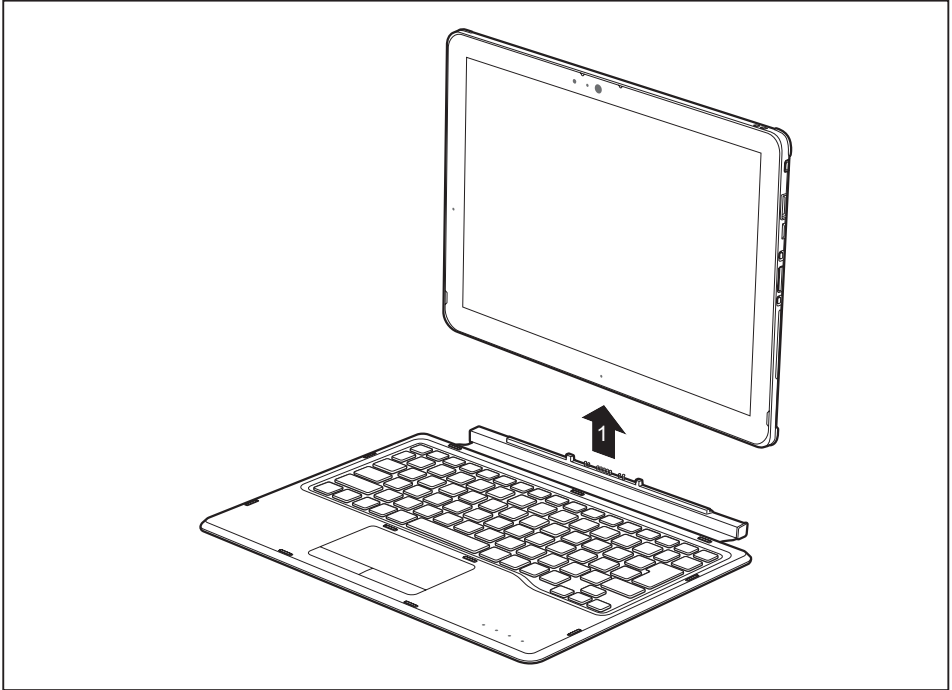


- ▶ Position the Tablet PC so that the docking ports of the Tablet PC and the magnetic keyboard approach in the direction of the arrow (1) and the magnetic connection clicks into place.
- ▶ Connect the mains adapter cable to the DC input connector (DC IN) on the Tablet PC (2).
- ▶ Connect the mains cable to the mains adapter (3).
- ▶ Plug the mains cable into the mains socket (4).

Disconnecting the Tablet PC from the magnetic keyboard



It is possible to disconnect the Tablet PC from the magnetic keyboard while it is operating.



- ▶ While holding the lower area of the magnetic keyboard, lift the Tablet PC away from the magnetic keyboard in the direction of the arrow (1).

Flip-Cover Stand (optional)

With the Tablet PC installed in the flip-cover stand, you can use it in the upright position by itself or together with a magnetic keyboard. When it is folded over, the flip-cover stand serves as a protective cover for the Tablet PC and magnetic keyboard.



The flip-cover stand contains magnets. Please take into account the safety information in chapter ["Important notes", Page 12](#), section ["Caution: Device contains magnets", Page 13](#).



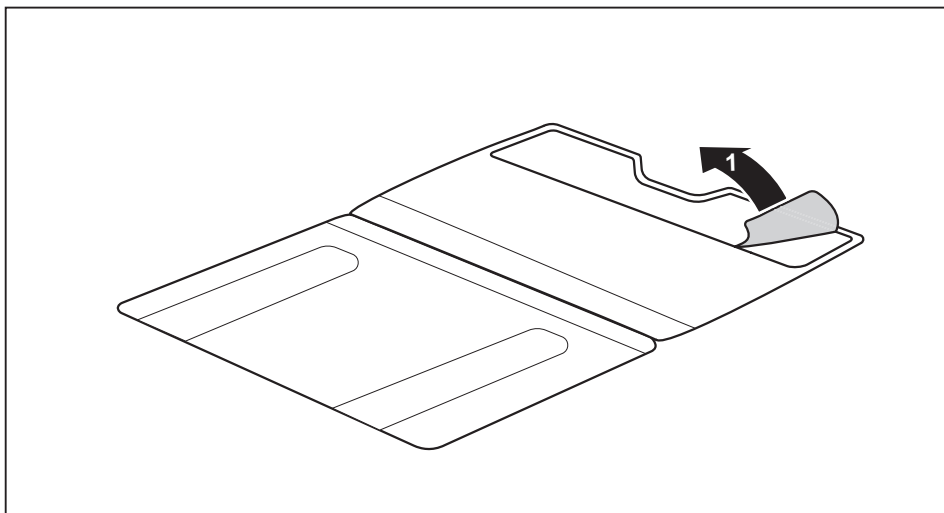
Please clean the inner surfaces of the flip-cover stand regularly to remove any dust or dirt.

In order to protect the touchscreen, we recommend that the Tablet PC is always carried together with the magnetic keyboard in the flip-cover stand. In this way you will prevent any particles of dirt on the inside of the flip-cover from causing scratches on the touchscreen.

The flip-cover stand has an adhesive surface on the inside for securing the Tablet PC. Only separate the flip-cover stand from the Tablet PC in exceptional circumstances, because otherwise the permanent adhesive ability will be reduced.

Insert the Tablet PC into the flip-cover stand

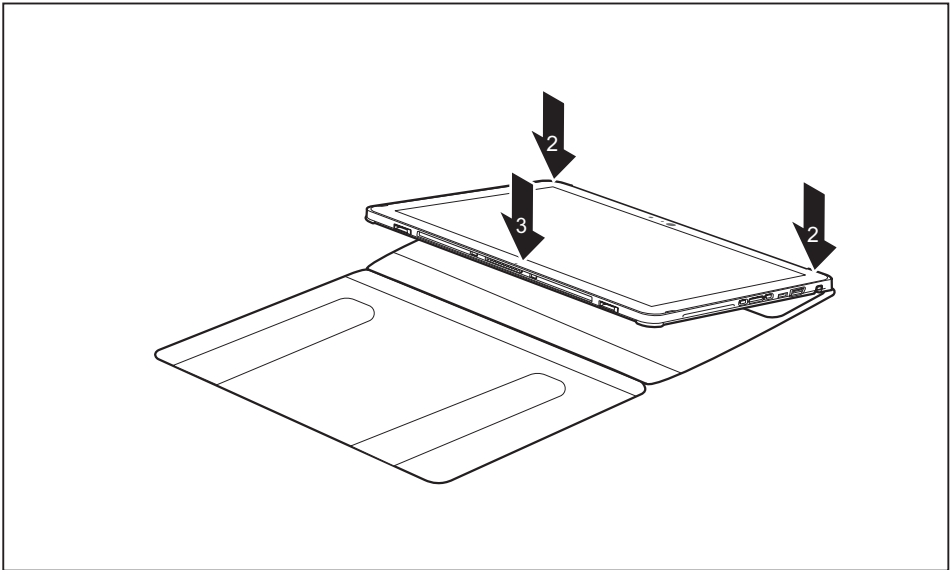
- ▶ Switch the Tablet PC off before attaching the flip-cover stand.
- ▶ Remove the mains adapter, the magnetic keyboard and all other connected devices.
- ▶ When necessary, clean the back of the Tablet PC to remove dust and dirt.



- ▶ Remove the film from the adhesive surface of the flip-cover stand (1).

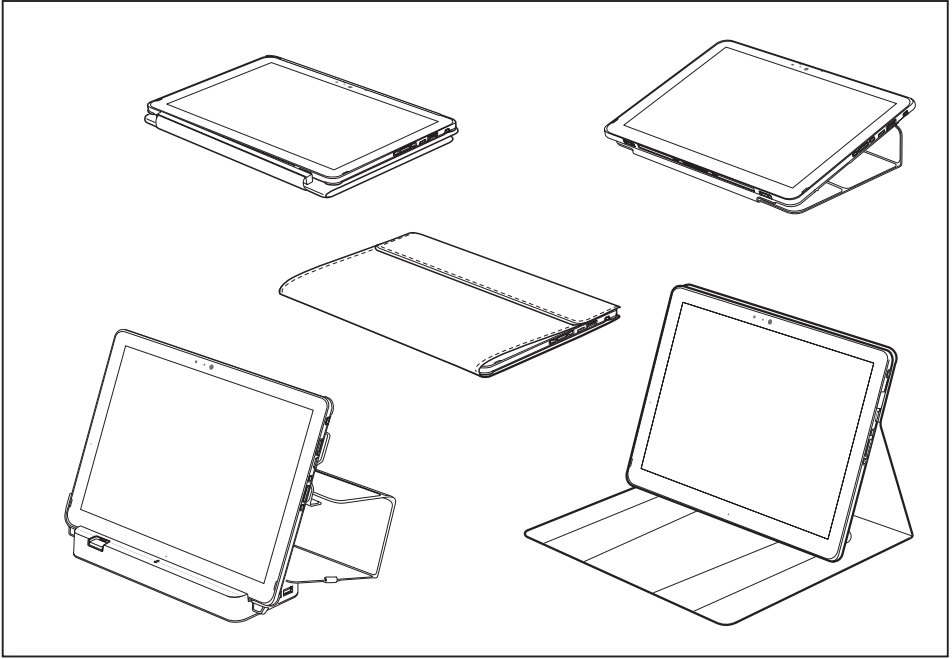


When inserting the Tablet PC into the flip-cover stand, only apply light pressure to the touchscreen. Do not use any tools. Make sure that no cables or other objects become trapped between the Tablet PC and the flip-cover stand.

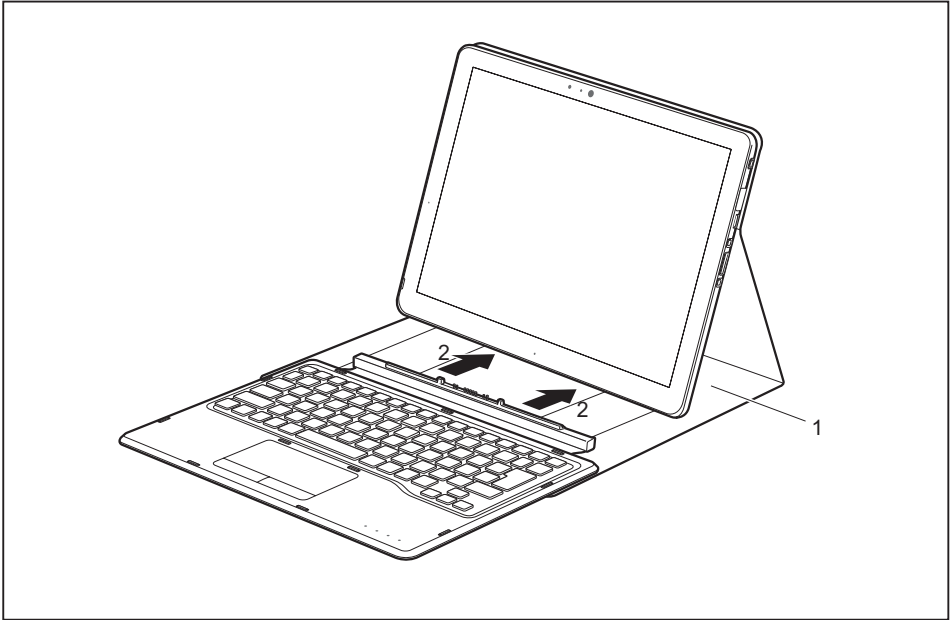


- ▶ Apply the Tablet PC to the edge of the flip-cover stand as shown (2).
- ▶ Place the Tablet PC down on the flip-cover stand (3).
- ▶ Carefully lift the Tablet PC and flip-cover stand and check that they are firmly connected together.
- ↳ When required, the Tablet PC and flip-cover stand can be connected to the magnetic keyboard (optional).

The following illustration shows you the many ways in which the cover can be used:



Connect the Tablet PC with flip-cover stand to the magnetic keyboard



- ▶ Move the Tablet PC into the upright position with the aid of the flip-cover stand (1).
- ▶ Position the Tablet PC so that the docking ports of the Tablet PC and the magnetic keyboard approach in the direction of the arrow (2) and the magnetic connection clicks into place.

Security functions

Your Tablet PC has several security features that you can use to secure your system from unauthorised access.

This chapter explains how to use each function, and what the benefits are.



Please remember that in some cases, for example, forgetting your password, you may be locked out and unable to access your data. Therefore, please note the following information:

- Back up your data on external data carriers at regular intervals.
- Some security functions need you to choose passwords. Make a note of the passwords and keep them in a safe place.

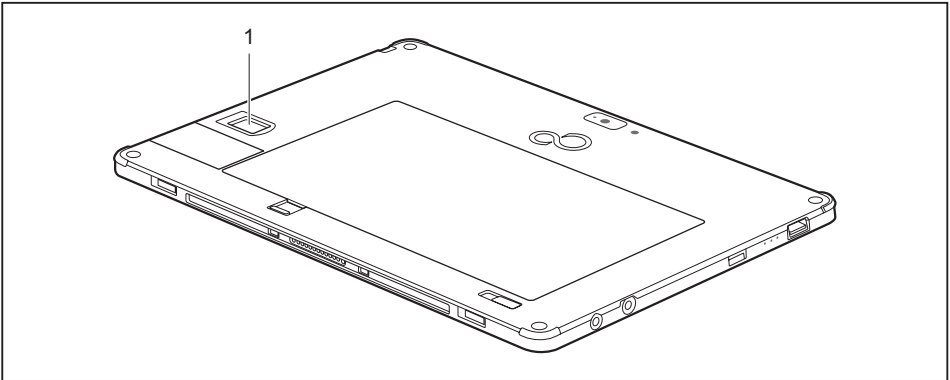
If you forget your passwords you will need to contact the our Service Desk. Deletion or resetting of passwords is not covered by your warranty and a charge will be made for assistance.

Setting up the fingerprint sensor (configuration dependent)



Whether your device has a fingerprint sensor or not depends on the device configuration that you ordered.

The fingerprint sensor can record an image of a fingerprint. With additional fingerprint software, this image can be processed and used instead of a password.



- ▶ You must install the fingerprint software in order to be able to use the fingerprint sensor (1).

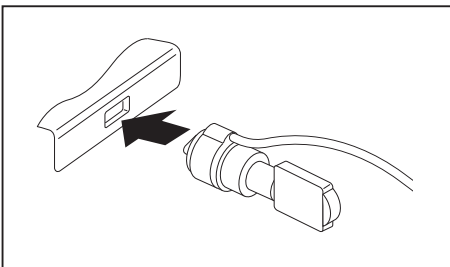


The current *Workplace Protect* software for the fingerprint sensor can be found on the Internet at

["http://www.fujitsu.com/fts/solutions/business-technology/security/secure/index.html."](http://www.fujitsu.com/fts/solutions/business-technology/security/secure/index.html)

Using the security lock (cradle only)

Your cradle (optional) is equipped with a security device for a Kensington lock cable. You can use the Kensington lock cable, a sturdy steel cable, to protect the cradle against theft. The Kensington lock cable is available as an accessory.



- ▶ Fit the Kensington lock cable to the device on your cradle.

Configuring password protection in BIOS Setup Utility



Before using the various options for password protection in the *BIOS Setup utility* to increase data security, please observe the following:

Make a note of the passwords and keep them in a safe place. If you forget your supervisor password you will not be able to access your Tablet PC. Deletion of the password is not covered by your warranty and a charge will be made for assistance.



Your password can be up to 32 characters long and can contain letters, numbers and special characters. A distinction is made between upper and lower case.

When using special characters, please remember that they depend on the country version of the keyboard being used.

Protecting BIOS Setup Utility (supervisor and user password)



If you have opened these operating instructions on the screen, we recommend that you print them out. You cannot call the instructions onto the screen while you are setting up the password.

The supervisor password and the user password both prevent unauthorised use of the *BIOS Setup Utility*. With the aid of the supervisor password you can access all of the functions of the *BIOS Setup Utility*, while the user password will only give you access to some of the functions. You can only set up a user password if a supervisor password has already been assigned.



Please refer to section "[Settings in BIOS Setup Utility](#)", [Page 64](#) for a description of how to call up and operate the *BIOS-Setup-Utility*.

Setting supervisor and user password

- ▶ Start the *BIOS Setup Utility* and go to the *Security* menu.
- ▶ Select the *Set Supervisor Password* field and press the Enter key.
- ↳ With *Enter new Password*: you are asked to enter a password.
- ▶ Enter the password and press the Enter key.
- ↳ *Confirm new Password* requires you to confirm the password.
- ▶ Enter the password again and press the Enter key.
- ↳ *Changes have been saved* is a confirmation that the new password has been saved.
- ▶ To set the user password, select *Set User Password* and proceed exactly as when configuring the supervisor password.
- ↳ If you do not want to change any other settings, you can exit *BIOS Setup Utility*.
- ▶ In the *Exit* menu, select the option *Save Changes & Exit*.
- ▶ Select *Yes* and press the Enter key.
- ↳ The Tablet PC is rebooted and the new password is effective. It will now be necessary to first enter your supervisor or user password in order to open the *BIOS Setup Utility*. Please note that the user password only provides access to a few of the BIOS settings.

Changing the supervisor or user password

You can only change the supervisor password when you have logged into the *BIOS Setup Utility* with the supervisor password.

- ▶ Call the *BIOS Setup Utility* and go to the *Security* menu.
- ▶ When changing the password, proceed exactly as for password assignment.

Removing passwords

To remove a password (without setting a new password) perform the following steps:

- ▶ Start the *BIOS Setup Utility* and go to the *Security* menu.
- ▶ Highlight the *Set Supervisor Password* or *Set User Password* field and press the Enter key.
 - ↳ You will be requested to enter the current password by the *Enter Current Password* prompt. You will be requested to enter a new password by the *Enter New Password* prompt.
- ▶ Press the Enter key twice.
- ▶ In the *Exit* menu, select the option *Save Changes & Exit*.
- ▶ Select *Yes* and press the Enter key.
- ↳ The Tablet PC is rebooted and the password is cancelled.
 - Removing the supervisor password simultaneously deactivates the user password.

Password protection for booting of the operating system



With the supervisor password you have set in the *BIOS Setup Utility* (see section "[Setting supervisor and user password](#)", Page 52), you can also prevent starting of the operating system.

Activating system protection

- ▶ Start the *BIOS Setup Utility* and go to the *Security* menu.
- ▶ Select the *Password on Boot* option and press the Enter key.
- ▶ Select the desired option (*First Boot* or *Every Boot*) and press Enter
- ▶ Select the *Save Changes & Exit* option under *Exit*.
- ↳ The Tablet PC reboots. You will be prompted to enter your password (the supervisor password).

Deactivating system protection

- ▶ Start the *BIOS Setup Utility* and go to the *Security* menu.
- ▶ Select the *Password on Boot* option and press the Enter key.
- ▶ Select the *Disabled* option and press the Enter key.
- ↳ If you do not want to change any other settings, you can exit *BIOS Setup Utility*.
- ▶ Select the *Save Changes & Exit* option under *Exit*.
- ↳ The Tablet PC reboots. The system is no longer password-protected.

Password protection for the hard disk



The hard disk password prevents unauthorised access to the hard disk drives and is checked internally each time the system is booted. The prerequisite for this is that you have assigned at least the supervisor password.

Activating hard disk protection

- ▶ Call up the *BIOS Setup* and select the *Security* menu.
- ↳ If you have not assigned BIOS passwords yet, define the supervisor and the user password now, if desired (see ["Security functions", Page 50](#)).
- ▶ Mark the *Hard Disk Security* field and press the Enter key.
- ▶ In the *Drive0* area mark the *Set Master Password* field and press the Enter key.
- ↳ *Enter new Password* then appears and you are asked to enter a password.
- ▶ Enter the password and press the Enter key.
- ↳ *Confirm new Password* requires you to confirm the password.
- ▶ Enter the password again and press the Enter key.
- ↳ *Setup Notice: Changes have been saved* is displayed to confirm that the new password has been saved.
The field *Password Entry on Boot* is set to *Enabled* by default. You can exit the *BIOS Setup* once you have finished changing the settings.
- ▶ From the *Exit* menu, choose the option *Exit Saving Changes*.
- ▶ Press the Enter key and select *Yes*.
- ↳ The Tablet PC reboots and your hard disk is now protected with a password. The password prompt is enabled as soon as the Tablet PC has rebooted.

Deactivating hard disk protection

To cancel a password without setting a new one, proceed as follows:

- ▶ Call up the *BIOS Setup* and select the *Security* menu.
- ▶ Mark the *Hard Disk Security* field and press the Enter key.
- ▶ In the *Drive0* area mark the *Set Master Password* field and press the Enter key.
- ↳ You will be initially requested to enter the old password by the *Enter current Password* prompt. You will then be requested to enter a new password by the *Enter new Password* prompt.
- ▶ After providing the input, press the Enter key three times.
- ▶ From the *Exit* menu, choose the option *Exit Saving Changes*.
- ▶ Press the Enter key and select *Yes*.
- ↳ The Tablet PC reboots and there is no longer any password protection for this hard disk.

SmartCard reader (depending on configuration)



Depending on the selected model, your device may be equipped with a SmartCard reader.

SmartCards are not supplied as standard equipment. You can use all SmartCards that comply with the ISO standard 7816-1, -2 or -3. These SmartCards are available from various manufacturers.

With the appropriate software you can use your SmartCard as an alternative to password protection, but also as a digital signature, for encrypting your e-mails or for home banking.

We recommend that you always use two SmartCards. Always keep one of the SmartCards in a safe place if you are carrying the other SmartCard with you.

In order to be able to take advantage of all the security features of your Tablet PC, you will need a CardOS SmartCard from Fujitsu.



The SmartCard can only be used with a PIN, offering maximum protection even if you lose the SmartCard. In order to maximise your security, the CardOS SmartCard is disabled if three incorrect attempts are made to enter the PIN.

When you use the CardOS SmartCard for the first time, you will either need to enter the preset PIN "12345678" or the PIN given to you by your systems administrator.

Inserting the SmartCard

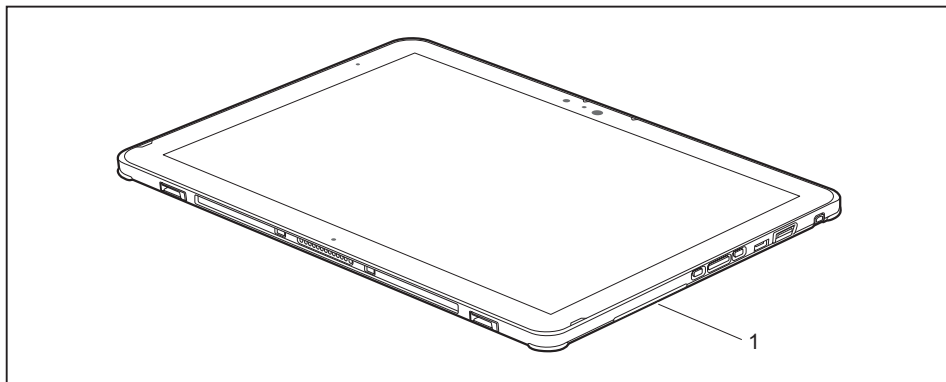


Depending on the selected model, your device may be equipped with a SmartCard reader.



Do not use force when inserting and removing the SmartCard.

Make sure that foreign objects do not fall into the SmartCard reader.



- ▶ Push the SmartCard into the SmartCard reader (1) with the chip towards the front of the Tablet PC.

Trusted Platform Module - TPM (depending on configuration)

To use the TPM, you **must** activate the TPM in the *BIOS Setup* before the software is installed. The condition for this is that you have assigned at least the supervisor password (see ["Security functions", Page 50](#)).

Enabling TPM

- Requirement: You have set a supervisor password, see ["Security functions", Page 50](#).
- ▶ Call up the BIOS Setup and select the *Security* menu.
- ▶ Mark the *TPM Security Chip Setting* field and press the Enter key.
- ▶ Select *Enabled* to activate the TPM.
- ↳ Once you have activated the TPM the *Clear Security Chip* option appears. Select *Clear Security Chip* to delete the holder in the TPM. By clicking on *Enabled*, all secret keys (e.g. SRK - Storage Root Keys, AIK - Attestation Identity Keys etc.) generated by applications are deleted.

Please note that you will then no longer be able to access the data you have encrypted with the keys based on that holder.
- ▶ In the *Exit* menu, choose the option *Exit Saving Changes*.
- ▶ Press the enter key and select *Yes*.
- ↳ The tablet PC restarts and the TPM is switched on after the reboot.

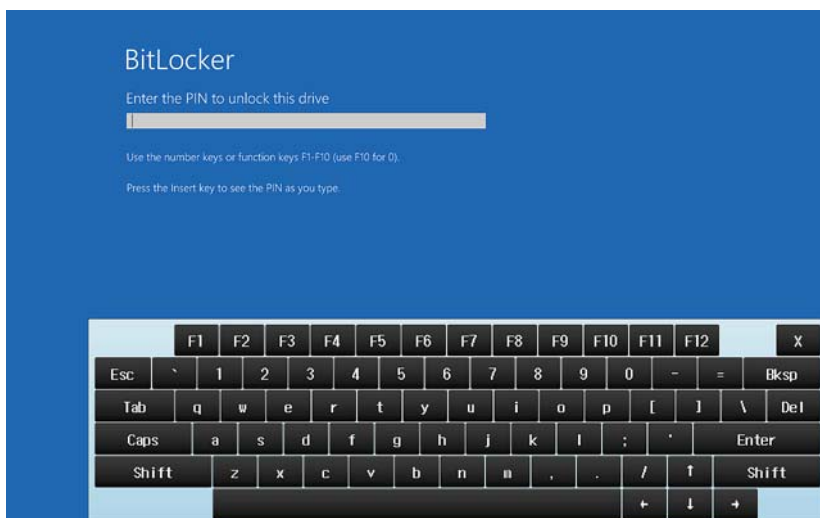
Disabling TPM

- Requirement: You have set a supervisor password, see ["Security functions", Page 50](#).
- ▶ Call up the BIOS Setup and select the *Security* menu.
- ▶ Mark the *TPM Security Chip Setting* field and press the Enter key.
- ▶ Select *Disabled* to deactivate the TPM.
- ▶ From the *Exit* menu, choose the option *Exit Saving Changes*.
- ▶ Press the Enter key and select *Yes*.
- ↳ The tablet PC is rebooted and the TPM is disabled.

Enable password entry using the on-screen keyboard (on-screen keyboard for BitLocker password)

If TPM is enabled, you can enable an OnScreen keyboard for the internal touchscreen in the BIOS Setup.

- ▶ Call BIOS Setup and select the *Advanced* menu.
 - ▶ Mark *Boot Configurations* and press the enter key.
 - ▶ From the *UEFI Boot On-Screen Keyboard* selection, choose the option *Enabled*.
 - ▶ In the *Exit* menu, choose the option *Exit Saving Changes*.
 - ▶ Press the enter key and select *Yes*.
- ↳ The tablet PC is rebooted and the password dialogue is displayed.
Tap on the password field to enable the on-screen keyboard.



Connecting external devices



Under all circumstances, please observe the safety notes provided in the ["Important notes", Page 12](#) chapter before connecting or disconnecting any devices to or from your Tablet PC.

Always read the documentation supplied with the device you wish to connect.

Never connect or disconnect cables during a thunderstorm.

Never pull at a cable when disconnecting it. Always grasp the plug.



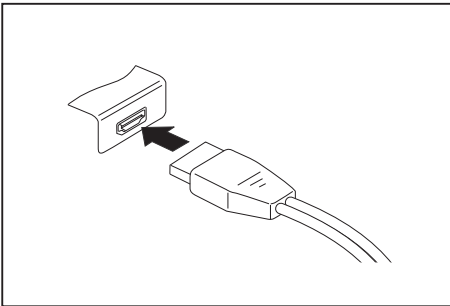
With some devices, such as USB devices, it is not necessary to switch off the Tablet PC and the device before connecting/disconnecting. For more information about whether or not devices need to be switched off, please refer to the documentation supplied with the external device.

Some of the external devices require special drivers (see the operating system and external device documentation).

Connecting an external monitor

Display port (cradle only)

The display port of the cradle can be used to connect a display, LCD TV or a plasma TV with an appropriate port. The screen output is limited to a maximum of two external screens at the same time.



- ▶ Connect the data cable to the external device.
- ▶ Connect the data cable to the display port of the cradle.

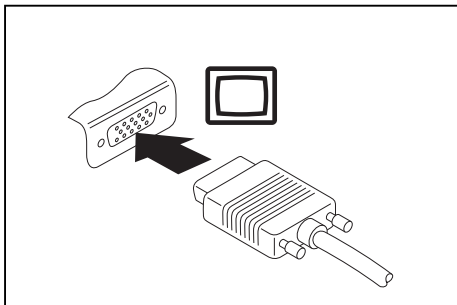


Some LCD televisions have only two loudspeaker connections and therefore cannot reproduce Dolby Digital or DTS. In order to reproduce the sound, you must go into *Windows* and adjust the sound settings.

- ▶ To do this, deactivate the *DTS Audio* and *Dolby Digital* settings in the control panel for the *Realtek HDMI Output*.

VGA monitor port (cradle only)

An analogue monitor is connected to the analogue VGA monitor port. The screen output is limited to a maximum of two external screens at the same time.



- ▶ Switch off the Tablet PC and the external monitor.
- ▶ Plug the data cable of the external monitor into the monitor port.
- ▶ First switch on external monitor and then the Tablet PC.



You can also switch back and forth between the external monitor and the LCD screen of the Tablet PC, see ["Touch screen", Page 22](#).

You can display the same picture on the external monitor and the LCD screen of the Tablet PC simultaneously.

Connecting USB devices

On the USB ports, you can connect external devices that also have a USB port (e.g. a DVD drive, a printer, a scanner or a modem).



USB devices are hot-pluggable. This means you can connect and disconnect devices while your operating system is running.

USB 1.x has a maximum data transfer rate of 12 Mbit/s.

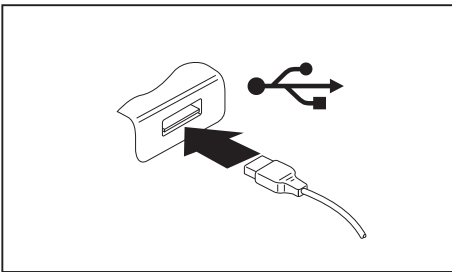
USB 2.0 has a data transfer rate of up to 480 Mbit/s.

USB 3.0 has a data transfer rate of up to 5 Gbit/s.

USB 3.1 (Gen1) has a data transfer rate of up to 5 Gbit/s.

USB 3.1 (Gen2) has a data transfer rate of up to 10 Gbit/s.

Additional information can be found in the documentation for the USB devices.



- ▶ Connect the data cable to the external device.
 - ▶ Connect the data cable to the USB port on the Tablet PC.
- or
- ▶ Connect the data cable to a USB port of the cradle.



Device drivers

USB devices will be automatically recognised and installed by your operating system.

USB port with charging function (USB Type-C)

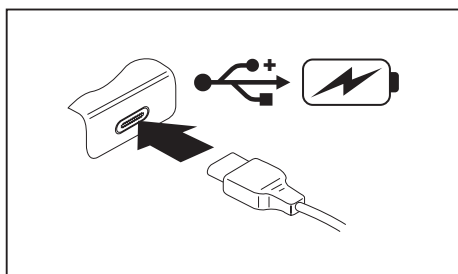
At this USB port, you can charge a connected USB device or operate devices without additional power supply.

This is also possible with the Tablet PC switched off, by activating the *USB Type-C Power Delivery on System Off* function in the *Advanced - Miscellaneous Configurations* menu of the *BIOS Setup Utility*. Instructions on how to call up and use the *BIOS Setup Utility* can be found in the "[Settings in BIOS Setup Utility](#)", [Page 64](#) section.



USB devices are hot-pluggable. This means you can connect and disconnect the cables of USB devices while the system is running.

Additional information can be found in the documentation for the USB devices.



- ▶ Connect the data cable to the external device.
- ▶ Connect the data cable to a USB port (USB Type-C) of the Tablet PC.

How to remove USB devices correctly

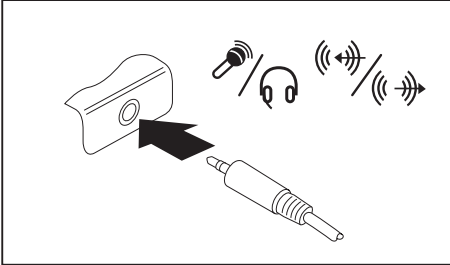


Always correctly remove the device according to the rules described below, to ensure that none of your data is lost.

- ▶ Tap the symbol for safe removal of the hardware.
- ▶ Select the device which you want to shut down and remove.
- ▶ Tap *OK*.
- ↳ Wait for the dialogue box which tells you that it is now safe to remove the device.

Headphones/microphone/Line-In/Line-Out/headset combination port

Using the headphones/microphone/Line-In/Line-Out/headset-combi port, you can connect a headset, headphones, a microphone or external loudspeakers to your Tablet PC.



- ▶ Connect the audio cable to the external device.
- ▶ Connect the audio cable to the headphone port of the Tablet PC.
- ↳ The internal loudspeakers are disabled.

i

If you purchase a cable from a retailer, please note the following information:

The headphones/microphone/Line-In/Line-Out/headset-combi port on your Tablet PC is a "3.5 mm jack socket".

If you want to connect headphones or a speaker you will need a "3.5 mm jack plug".

Settings in BIOS Setup Utility



To navigate more easily in the *BIOS Setup Utility*, you can use an external USB keyboard.

The *BIOS Setup Utility* allows you to set the system functions and the hardware configuration for the Tablet PC.

When it is delivered, the Tablet PC is set to factory default settings. You can change these settings in *BIOS Setup Utility*. Any changes you make take effect as soon as you save and exit the *BIOS Setup Utility*.

The *BIOS Setup Utility* program contains the following menus:

<i>About</i>	Displays information relating to the BIOS, processor and Tablet PC
<i>System</i>	Advanced system settings
<i>Advanced</i>	Configuration of various hardware components, such as mouse, keyboard, processor
<i>Security</i>	Password settings and security functions
<i>Boot</i>	Configuration of the start-up sequence
<i>Exit</i>	Exits the <i>BIOS Setup Utility</i>

Starting the BIOS Setup Utility

- ▶ Press and hold the volume down button and switch the tablet PC on.
- ▶ If a password has been assigned, enter the password and press the Enter key.



If you have forgotten the password, contact your system administrator or contact our customer service centre.

The *BIOS Setup Utility* starts.

Operating BIOS Setup Utility



Press the **F1** key to display help on the operation of the *BIOS Setup Utility*. The description of the individual settings is shown in the right-hand window of the *BIOS Setup Utility*.

With the **F9** key you can load the default settings of the *BIOS Setup Utility*.

- ▶ Use the cursor keys **←** or **→** to select the menu you wish to access to make changes.
- ↳ The menu is displayed on the screen.
- ▶ Select the option you want to change with the cursor keys **↑** or **↓**.
- ▶ Press the Enter key.
- ▶ Press the **ESC** key to exit the selected menu.
- ▶ For future reference, make a note of the changes you have made (for example, in this manual).

Exiting BIOS Setup Utility

You need to select the desired option in the *Exit* menu and activate it by pressing the Enter key:

Exit Saving Changes - save changes and exit BIOS Setup Utility

- ▶ To save the current menu settings and exit the *BIOS Setup Utility*, select *Exit Saving Changes* and *Yes*.
- ↳ The Tablet PC is rebooted and the new settings come into effect.

Exit Discarding Changes – Discard changes and exit BIOS Setup Utility

- ▶ To discard the changes, select *Exit Discarding Changes* and *Yes*.
- ↳ The settings in place when *BIOS Setup Utility* was called remain effective. The *BIOS Setup Utility* is terminated and the Tablet PC is rebooted.

Load Setup Defaults – Copy Standard Entries

- ▶ To copy the standard entries for all menus of the *BIOS Setup Utility*, choose *Load Setup Defaults* and *Yes*.

Discard Changes – Discard changes without exiting the BIOS Setup Utility

- ▶ To discard the changes you have made, select *Discard Changes* and *Yes*.
- ↳ The settings in place when *BIOS Setup Utility* was called remain effective. You can now make additional settings in the *BIOS Setup Utility*.
- ▶ If you want to exit *BIOS Setup Utility* with these settings, select *Exit Saving Changes* and *Yes*.

Save Changes - save changes without exiting the BIOS Setup Utility

- ▶ To save the changes, select *Save Changes* and *Yes*.
- ↳ The changes are saved. You can now make additional settings in the BIOS Setup Utility.
- ▶ If you want to exit BIOS Setup Utility with these settings, choose *Exit Saving Changes* and *Yes*.

Save Changes and Power Off

- ▶ To save the changes and switch off your device, select *Save Changes and Power Off* and *Yes*.
- ↳ The changes are saved. Your device is shut down.

Troubleshooting and tips



Follow the safety notes in the "Safety/Regulations" manual when connecting or disconnecting cables.

If a fault occurs, try to correct it as described. If you fail to correct the problem, proceed as follows:

- ▶ Make a note of the steps and the circumstances that led to the fault. Also make a note of any error messages displayed.
- ▶ Switch the Tablet PC off.
- ▶ Please contact the Hotline/Service Desk.



You will find the telephone numbers at "<http://support.ts.fujitsu.com/contact/servicedesk>". Have the following information ready when you call:

- The model name and serial number of the Tablet PC. The serial number is located on a sticker on the underside of the Tablet PC.
- Notes of any messages that appear on the screen and information on acoustic signals.
- Any changes you have made to the hardware or software after receiving the Tablet PC.
- Any changes you have made to the *BIOS Setup* settings after receiving the Tablet PC.
- Your system configuration and all peripheral devices connected to your system.
- Your sales contract.



Our Tablet PCs have been designed primarily with mobile applications in mind. This means that considerable effort has been made to optimise components and equipment in terms of weight, space and energy requirements. Depending on the particular configuration you have purchased, it is possible that functionality may be slightly reduced compared to a desktop PC if you are running processor-intensive gaming software, e.g. games with intensive 3D graphics. Updating your hardware with drivers which have not been approved by Fujitsu Technology Solutions may result in performance losses, data losses or malfunction of the equipment. A list of approved drivers and current BIOS versions can be downloaded from: "<http://support.ts.fujitsu.com/Download/Index.asp>"

Help if problems occur

Should you encounter a problem with your computer that you cannot resolve yourself:

- ▶ Note the ID number of your device. The ID number is found on the type rating plate on the back or underside of the casing.
- ▶ Contact the Service Desk responsible for your country for clarification of the problem: "<http://support.ts.fujitsu.com/contact/servicedesk>". When you do this, please have ready the ID number and serial number of your system.

The Tablet PC's date or time is incorrect

Cause	Troubleshooting
Time and date are incorrect.	▶ With the <i>BIOS-Setup-Utility</i> , you can set the date and time in the <i>main</i> menu.
Date and time are still set incorrectly after switching on the Tablet PC.	▶ Please contact your sales outlet or our Hotline/Service Desk.

Battery charging indicator not lit

Cause	Fault elimination
The battery is not being charged.	▶ Connect the Tablet PC to a mains outlet using the mains adapter. Note: The battery will only be charged again when the battery capacity is less than 90%.

The Tablet PC's touchscreen remains dark

Cause	Troubleshooting
Touchscreen is switched off.	▶ Press a key (external keyboard) or tap on the touchscreen.
External monitor or television set connected.	▶ Check whether the graphics driver settings are correct or whether an external monitor has been detected in "Intel Graphics Media Accelerator Driver for mobile".

The display on the Tablet PC's touchscreen is difficult to read.

Cause	Troubleshooting
Reflected glare	▶ Move the Tablet PC into a different position. ▶ Increase the brightness of the screen.

The external monitor remains blank

Cause	Troubleshooting
Monitor is switched off.	▶ Switch the external monitor on.
Power saving has been activated (monitor is blank).	▶ Press a key (external keyboard) or tap on the touchscreen.
Brightness is set to dark.	▶ Adjust the brightness of the monitor.
Screen output is set on the Tablet PC's touchscreen.	▶ Check whether the graphics driver settings are correct or whether an external monitor has been detected in "Intel Graphics Media Accelerator Driver for mobile".
The external monitor's power cable or data cable is not connected properly.	<ul style="list-style-type: none"> ▶ Switch off the Tablet PC and the external monitor. ▶ Check whether the power cable is plugged properly into the external monitor and into the power socket. ▶ Check whether the data cable is properly connected to the Tablet PC and the external monitor (if it is plugged in with a connector). ▶ Switch on the Tablet PC and the external monitor.

The external monitor is blank or the image is unstable

Cause	Troubleshooting
The wrong external monitor has been selected or the wrong screen resolution has been set for the application program.	<ul style="list-style-type: none"> ▶ Terminate the application program in Windows. If the error persists after terminating the program, use the key combination for switching the screen output in order to switch to the touchscreen of the tablet PC. Change the following setting: <ul style="list-style-type: none"> ▶ Set the screen resolution: Set the screen resolution as described in the documentation for your operating system. ▶ Select monitor: Select monitor 1 or 2 as described in the documentation for your operating system.

The cursor does not correctly follow the pen movements

Cause	Fault elimination
Pen incorrectly calibrated	▶ Calibrate the pen as described in chapters "Setting the pen", Page 27 and "Calibrating the pen", Page 27 .

Pen input not working

Cause	Troubleshooting
The pen is in power-saving mode.	▶ Press the pen button gently to wake the pen from sleep mode.
The pen battery is completely discharged.	▶ Insert the pen fully into its slot on the Tablet PC to charge the pen battery.

The Tablet PC does not start after switch on

Cause	Troubleshooting
The battery is not installed correctly.	▶ Check whether the battery is installed correctly in its compartment. ▶ Switch on the Tablet PC.
The battery is dead.	▶ Charge the battery. or ▶ Insert a charged battery. or ▶ Connect the mains adapter to the Tablet PC.
The power adapter is not connected correctly.	▶ Check whether the mains adapter is connected correctly to the Tablet PC. ▶ Switch on the Tablet PC.

The Tablet PC stops working

Cause	Troubleshooting
The Tablet PC is in energy saving mode.	▶ Leave energy saving mode.
An application programme has caused the malfunction.	▶ Close the application program or restart the Tablet PC (by restarting the operating system or switching the device off and back on again).
The battery is dead.	▶ Charge the battery. or ▶ Insert a charged battery. or ▶ Connect the mains adapter to the Tablet PC.

The printer does not print

Cause	Troubleshooting
The printer is not switched on.	<ul style="list-style-type: none"> ▶ Make sure that the printer is switched on and ready for operation (refer to the documentation supplied with the printer).
The printer is not connected correctly.	<ul style="list-style-type: none"> ▶ Check that the data cable connecting the Table PC to the printer is properly connected.
The printer driver is faulty or not correctly installed, or it is the wrong printer driver.	<ul style="list-style-type: none"> ▶ Check that the data cable connecting the Tablet PC to the printer is properly connected. ▶ Check whether the correct printer driver is loaded (refer to the printer documentation).

The wireless connection to a network does not work

Cause	Troubleshooting
The wireless component is disabled.	<ul style="list-style-type: none"> ▶ Switch the wireless component on (see "Switching the wireless components on and off", Page 37).
The wireless component is enabled. Despite this, the wireless connection to a network does not work.	<ul style="list-style-type: none"> ▶ Check whether the wireless connection is switched on via the software. ▶ Further information on using the wireless component can be found in the help files.

The battery discharges too quickly

Cause	Troubleshooting
The battery is either too hot or too cold. In this case the battery indicator flashes.	<ul style="list-style-type: none"> ▶ Bring the Tablet PC up/down to a normal temperature again. ▶ If the operating time of the battery life is extremely short, the battery is probably too old. Replace battery if necessary.
You may have an application running that consumes a great deal of power due to frequent accessing of the hard disk or optical drive.	<ul style="list-style-type: none"> ▶ Use the mains adapter as frequently as possible.
The maximum brightness may have been set for the screen.	<ul style="list-style-type: none"> ▶ Reduce the brightness of the screen to lower energy consumption: You will find the setting under <i>Control Panel – Hardware and Sounds – Windows Mobility Center</i>.

SmartCard reader is not recognised.

Cause	Troubleshooting
Chip card inserted incorrectly.	<ul style="list-style-type: none"> ▶ Make sure you have inserted your SmartCard into the SmartCard reader with the chip facing upwards/downwards (device-dependent). ▶ Check whether the SmartCard you are using is supported. Your SmartCard must comply with the ISO standard 7816-1, -2, -3 and -4.

SmartCard PIN forgotten

Cause	Troubleshooting
PIN forgotten	<ul style="list-style-type: none"> ▶ If you work in a network, contact your system administrator, who can unlock your Tablet PC with a supervisor PIN.

SmartCard lost

Cause	Troubleshooting
SmartCard lost	<ul style="list-style-type: none"> ▶ If you work in a network, contact your system administrator, who can boot your Tablet PC with a Supervisor SmartCard.

Acoustic warnings

Cause	Troubleshooting
<p>A beep sounds every few seconds.</p> <p>The battery is almost flat.</p>	<ul style="list-style-type: none"> ▶ Charge the battery.

Error messages on the screen

This section describes the error messages generated by the BIOS Setup. Error messages displayed by the operating system or programmes are described in the relevant documentation.



If the error message appears repeatedly, despite troubleshooting measures, please contact the place of purchase or our customer service centre.

Error message/cause	Resolution
<p><i>CMOS battery bad</i></p> <p>If the error message occurs repeatedly, the buffer battery in the Tablet PC is flat.</p>	<ul style="list-style-type: none"> ▶ Contact your sales outlet or our customer service centre.
<p><i>System CMOS checksum bad - default configuration used</i></p> <p>The system configuration information is incorrect.</p>	<ul style="list-style-type: none"> ▶ Switch off the Tablet PC. ▶ Switch on the Tablet PC. ▶ In the <i>BIOS Setup</i>, select the <i>Exit</i> menu. ▶ Select the entry <i>Load Setup Defaults</i>. ▶ Select <i>OK</i> and press the Enter key.
<p><i>Extended memory failed at offset: xxxx Failing Bits: zzzz zzzz</i></p> <p>When testing the extended memory an error has resulted at the address xxxx.</p>	<ul style="list-style-type: none"> ▶ Contact your sales outlet or our customer service centre.
<p><i>Failure Fixed Disk n</i></p> <p>The settings of the hard disk drive are incorrect.</p>	<ul style="list-style-type: none"> ▶ Start the <i>BIOS Setup (Primary Master submenu)</i> and select the correct settings.
<p><i>Keyboard controller error</i></p>	<ul style="list-style-type: none"> ▶ Switch off your Tablet PC using the ON/OFF button. ▶ Wait 3 - 5 seconds and switch on the Tablet PC again.
<p><i>Keyboard error</i></p>	<p>If you are using an external keyboard:</p> <ul style="list-style-type: none"> ▶ Check the connection and reboot the Tablet PC.
<p><i>nn Stuck key</i></p>	<ul style="list-style-type: none"> ▶ Make sure that no key is pressed.
<p><i>Operating system not found</i></p>	<ul style="list-style-type: none"> ▶ Check in the <i>BIOS Setup</i> whether your hard disk has been set correctly. ▶ Make sure that the operating system is installed on the corresponding drive.
<p><i>Press <F1> to resume, <F2> to SETUP</i></p> <p>This error message appears if an error occurs during the self-test before starting the operating system.</p>	<ul style="list-style-type: none"> ▶ Press the volume up button to start BIOS Setup. <p>or</p> <ul style="list-style-type: none"> ▶ If you are working with an external keyboard, press the [F1] or [F2] key on the keyboard.
<p><i>Real time clock error</i></p>	<ul style="list-style-type: none"> ▶ Contact your sales outlet or our customer service centre.
<p><i>nnnnK Shadow RAM failed at offset: xxxx Failing Bits: zzzz</i></p>	<ul style="list-style-type: none"> ▶ Contact your sales outlet or our customer service centre.
<p><i>System battery is dead - Replace and run SETUP</i></p>	<ul style="list-style-type: none"> ▶ Contact your sales outlet or our customer service centre.
<p><i>System cache error - Cache disabled</i></p>	<ul style="list-style-type: none"> ▶ Contact your sales outlet or our customer service centre.
<p><i>System timer error</i></p>	<ul style="list-style-type: none"> ▶ Contact your sales outlet or our customer service centre.

Restoring the system under Windows 10

If necessary, you can reset your system to the original state of the hard disk.

- ▶ Beginning at the right edge of the Windows Start screen or the desktop, use a finger to sweep over the screen to open the *Action Centre*.
- ▶ Select *All settings*.
- ▶ Select *Update & security*.
- ▶ Select *Recovery*.
- ▶ Select according to your requirements from the options given.

Technical data

Tablet PC

General	
Processor	7th. Gen Intel® Core™ processor
Main memory (SO DIMM)	4 GB / 8 GB DIMM onboard
Electrical data	
Protection class	II
Maximum power consumption (when the Tablet PC is switched on and the battery is being charged):	with magnetic keyboard: 65 W with cradle: 90 W
Touchscreen	
Size	12.3" WUXGA Antiglare
Resolution	1920 x 1280 / 16 million colours
Pixel class	II
Brightness control	12 levels
Cameras	<ul style="list-style-type: none"> • Front: 5 megapixels • Back: 8 megapixels, autofocus, mobile light
Graphics card	
Chip	Intel® Graphics 615
Maximum resolution on external display:	4096 x 2160
Dimensions	
Width x depth x height	295.2 x 209.3 x 8.9 mm 11.62 x 8.24 x 0.35 inches
Weight depending on configuration	from 770 g / 1.70 lbs
Input devices	
Tablet buttons	4 keys
Pen (optional)	Pen with 2 pen buttons
Slots	
Memory card slot	1 x microSD
SIM card slot (configuration-dependent)	1 x Nano-SIM
SmartCard reader (configuration dependent)	1 x
Ports	
Combined headphone and microphone port	3.5 mm stereo mini jack
Docking port	1 x
USB (Universal Serial Bus)	1 x USB 2.0 (Type-A), 1 x USB 3.0 (Type-A), 1 x USB 3.1 with charging function (USB-Type-C)
Ambient conditions	
Environment class DIN IEC 721	7K1
Mechanism class DIN IEC 721	7M2

Operating temperature	5 °C 35 °C / 41 °F 95 °F
Transport temperature (2K2)	-15 °C 60 °C / 5 °F 140 °F

Screen resolutions for integrated screen and external screens

	Max. number of screens	Number of external screens	Inte-grated screen	System interface	Ports on the cradle	
				Display Port	VGA	Display Port
Only Tablet PC	1	0	1920x1280 @60Hz	-	-	-
		1	-	3840x2160 @60Hz	-	-
	2	1	1920x1280 @60Hz	3840x2160 @60Hz	-	-
with cradle	2	1	1920x1280 @60Hz	-	1920x1200 @60Hz*	-
			1920x1280 @60Hz	-	-	1920x1200 @60Hz*
		2	-	3840x2160 @60Hz	1920x1200 @60Hz*	-
			-	3840x2160 @60Hz	-	1920x1200 @60Hz*
	3	2	1920x1280 @60Hz	3840x2160 @60Hz	1920x1200 @60Hz*	-
			1920x1280 @60Hz	3840x2160 @60Hz	-	1920x1200 @60Hz*
			1920x1280 @60Hz	-	1024x768 @60Hz	1024x768 @60Hz
			-	3840x2160 @60Hz	1024x768 @60Hz	1024x768 @60Hz

* with reduced blanking

Rechargeable battery



You can find information on the batteries used in your device on the Internet at ["http://www.fujitsu.com/fts/support/"](http://www.fujitsu.com/fts/support/).

	6-cell lithium-ion rechargeable battery 3140 mAh
Rated voltage	11.25 V
Rated capacity	35 Wh

Mains adapter (65 W) for the Tablet PC with/without the magnetic keyboard

Rated voltage	19 V
Max. rated current	3.42 A

An additional mains adapter or power cable can be ordered at any time.

Mains adapter (90 W) for the Tablet PC with cradle

Rated voltage	19 V
Max. rated current	4.74 A

An additional mains adapter or power cable can be ordered at any time.

Cradle (optional)

Electrical data	
Protection class	II
Ports	
Docking port	11-pin
Display port	1 x
VGA monitor port	1 x
Maximum resolution on an external monitor	1920 x 1200 (VGA or display port)
USB (Universal Serial Bus)	3 x USB 3.0
LAN port	1 x
Security Lock device	1 x
Ambient conditions	
Environment class DIN IEC 721	7K1
Mechanism class DIN IEC 721	7M2
Operating temperature	5 °C 35 °C / 41 °F 95 °F
Transport temperature	-15 °C 60 °C / 5 °F 140 °F

Magnetic keyboard (optional)

Electrical data	
Protection class	II
Ports	
Docking port	11-pin
Environmental conditions	
Environment class DIN IEC 721	7K1
Mechanism class DIN IEC 721	7M2
Operating temperature	5 °C 35 °C / 41 °F 95 °F
Temperature during transportation	-15 °C 60 °C / 5 °F 140 °F

Manufacturer's notes

Disposal and recycling

You can find information on this subject on your Tablet PC or on our website (["http://www.fujitsu.com/fts/about/fts/environment-care/"](http://www.fujitsu.com/fts/about/fts/environment-care/)).

Electrical safety including ergonomic requirements (GS, depending on the device)

Please refer to the associated data sheet to establish whether the model variant of your device has GS certification. You can find further information on the Internet at ["http://www.fujitsu.com/fts/products/computing/pc/tablets/datasheets/"](http://www.fujitsu.com/fts/products/computing/pc/tablets/datasheets/).



Intended viewing distance

400 mm as a hand-held product.

A monitor and a keyboard should be connected externally for use in an office.

SAR limit value (Specific Absorption Rate)

The SAR limit value $< 2\text{W/kg}$ is complied with.

Other certification markings

Any other certification markings are listed in the "Manual Appendix - Additional Certifications" supplement.

If such markings are available, you can find the supplement on the Internet at ["http://support.ts.fujitsu.com/Manuals/"](http://support.ts.fujitsu.com/Manuals/) with the Operating Manual for your device.

Index

A

- Acoustic error messages 72
- Anti-theft protection 51
- Audio ports 63

B

Battery

- battery life 30
- caring for and maintaining 30
- charge level 30, 33
- charging 30
- Self-discharge 30
- storing 30

Battery status meter 30

Battery:

- discharges too quickly 71

Before you travel 14

BIOS Setup Utility

- calling 64
- exiting 66
- operating 65
- protecting with password 52
- settings 64

Bluetooth, safety notes 12

C

- Camera 29
- Certification markings 80
- charge capacity, battery 30
- Cleaning 15
- Configuration, BIOS Setup Utility 64
- Connecting audio devices 63
- Connecting headphones 63
- cradle
 - Connecting a Tablet PC 41
- Cradle 40

D

- Date is incorrect 68
- Device
 - setting up 17
- Display orientation
 - selecting 23
- Display port 59

E

- Energy
 - energy saving 13
- Energy saving 13

Energy saving mode

- leaving 70

Error message:

- on the screen 73

Error messages on the screen 73

Errors

- Acoustic warnings 72

Ethernet LAN 38

F

Fault

- correction 67

Fingerprint sensor 51

- configure 51

First-time setup 16

G

Getting started 16

GPS 38

H

Hardware configuration 64

I

- Important notes 12
- Incorrect date/time 68

K

Keyboard

- cleaning 15

L

- Landscape orientation
 - screen 23
- Life, battery 30

M

Magnetic keyboard

- Connecting Tablet PC 44
- ports 43

Mains adapter

- connecting 17
- setting up 17

Memory card

- handling 33
- inserting 34
- removing 34

- Mobile operation 14
- Monitor
 - connecting 60
 - drifting display 69
 - remains blank 69
- Monitor port
 - see VGA connection socket 60
- N**
- Notes 12
 - cleaning 15
 - disposal / recycling 80
 - energy saving 13
 - Safety 12
 - touchscreen 22
 - transport 14
- O**
- Operating system
 - activating system protection 53
 - cancel system protection 53
 - protecting with password 53
- P**
- Packaging 16
- Password
 - changing 53
 - entering 52
 - removing 53
- Password protection 52
- Password protection:
 - hard disk 54
- Pen 24
- Portrait orientation
 - screen 23
- Ports 40
 - magnetic keyboard 43
- Power
 - power consumption 33
 - power-management features 33
- Power-on indicator 21
- Preparing for operation 17
- Printer does not print 71
- R**
- Rechargeable battery 30
 - see Battery 30
- S**
- Safety notes 12
- SAR 80
- Screen
 - no screen display 69
- Screen port
 - see VGA connection socket 60
- Security functions 50
 - SystemLock 55
- Security functions,
 - SmartCard 55
- Security Lock
 - anti-theft protection 51
 - Using 51
- Selecting a location 17
- Self-discharge, battery 30
- Setup
 - see BIOS Setup Utility 64
- Slot
 - Memory cards 33
- Status indicators 19
- Summer time 68
- Supervisor password
 - changing 53
 - entering 52
 - removing 53
- Switching off
 - Tablet PC 22
- Switching on for the first time 18
- Symbols
 - indicators 19
- System configuration 64
- System settings, BIOS Setup Utility 64
- T**
- Tablet PC
 - cleaning 15
 - transporting 14
 - using 19
- Tablet PC, operation 19
- Tablet PC: switching on 21
- Technical data
 - Mains adapter 78
- The Tablet PC
 - cannot be started 70
 - doesn't work. 70
- The wireless connection to a network
 - does not work 71
- Time not correct 68
- Time, daylight savings 68
- Tips 67
- Touchpad
 - cleaning 15

Touchscreen
 cleaning 15
 difficult to read 68
 notes 22
 reflected glare 68
 remains blank 68
touchscreen is too dark 68
TPM 57
Transport
 Transport damage 16
Transportation 14
Travel 14
Troubleshooting 67
Trusted Platform Module 57

U

USB connection with charging function
 (USB Type-C™) 62

USB ports 61
User password
 changing 53
 entering 52
 removing 53

V

VGA connection socket 60

W

Wireless component:
 safety notes 12
Wireless LAN:
 safety notes 12