



## In-Ceiling Electric Motorized Front Projection Screen

# **Evanesce B Series**

## User's Guide

### **Important Safety & Warning Precautions**

**Make sure to read this user's guide and follow the procedures below.**

**Caution:** The screen's Black Top Drop is already set to its maximum drop distance. There is NO extra Black Top Drop in the roller. Please be aware of this as it will void your warranty with Elite Screens. Unapproved changes or modifications (except for cutting the power cord for hardwire installations) to this unit are prohibited and will void your warranty. For more information, please contact our Technical Support Department at (877) 511-1211 Ext. 604.

- Please retain this user's guide for future reference.
- To avoid damaging the unit, do not use with any unauthorized accessories not recommended by the manufacturer.
- Handle the unit carefully during transportation to avoid any damages.
- To ensure safe and reliable operation, direct connection to a properly grounded power source is advised.
- The power outlet supplying power to the unit should be close to the unit and easily accessible.
- Do not install the unit on uneven, inclined surfaces;
- Do not install in damp places to avoid an electric shock or short circuit.
- Do not place any heavy objects over the power cord.
- Position the power cord properly to avoid creating a trip obstacle.
- To avoid an electrical shock or fire, due to a loose contact or short circuit, do not overload the power cord.
- The internal & external parts of this unit are not end user serviceable. Do not attempt to disassemble this unit by yourself. No one except authorized technicians can open and make repairs to this unit.
- Make sure the power source that this unit is connected to has a continuous power flow.
- If there is need to use an extension cord, make sure the cord has an equal rating as the appliance to avoid over heat.
- Do not handle the power plug when your hands are wet or your feet are in contact with water.
- Properly dispose of this equipment according to the environmental regulations in your area when product is no longer of service.

## **Do not use this unit under the following circumstances.**

- Disconnect the power cord under the conditions of heavy rain, wind thunder or lightning.
- Avoid direct sun light, rain shower and moisture.
- Keep away from fire sources and high temperature to prevent this device from overheating.
- Cut off the power supply first before transportation or maintenance.
- To avoid possible injury and/or an electric shock, do not attempt to use this screen if there is obvious damage or if there are any evident broken parts.

## **Installation Warning**

**The instructions provided in this user's guide are for reference only. Please consult a professional installation company for further installation and safety advice. The installer must insure that proper mounting hardware is used to provide adequate strength suitable for the installation. Elite Screens is not liable for any faulty installations. For limit adjustment instructions, please contact our Technical Support Department at (877) 511-1211 Ext. 604**

The Screen's **Top Black Drop** is already set to its maximum drop distance. There is **NO** extra top black drop in the roller. Please be aware of this as it will void the limitation of your warranty.

Individual modifications to this product are prohibited and will void the warranty with the manufacturer. Please contact Elite Screens Customer Service for any questions.

### **NOTE:**

This equipment has been tested and found to comply with the limits for a Class B digital device, pursuant to Part 15 of the FCC Rules.

These limits are designed to provide reasonable protection against harmful interference in a residential installation. This equipment generates and can radiate radio frequency energy and, if not installed and used in accordance with the instructions, may cause harmful interference to radio communications.

However, there is no guarantee that the interference will not occur on a particular installation. If this equipment causes harmful interference to radio or television reception, which can be determined by turning the equipment off and on, the user is encouraged to try to correct the interference by one or more of the following measures.

- ✓ **Reorient or relocate the receiving antenna of the device which may be causing the interference.**
- ✓ **Increase the separation between the screen and the device's receiver.**
- ✓ **Connect the equipment into a different power outlet other than the device.**

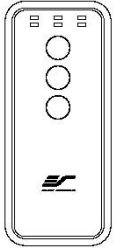
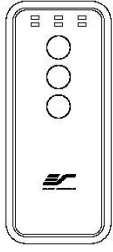



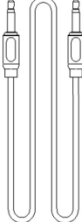

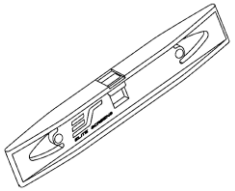
## **Pre-Installation**

1. Carefully unpack the screen.
2. Always handle the screen in a leveled position on a clean surface.
3. In order to protect the screen from exposure to stains, keep the screen out of contact with foreign particles such as dust, sawdust, and/or liquids.

## **NOTE**

Regardless of the mounting method, the screen should be securely supported so that the vibration or pulling on the viewing surface will not cause the casing to become loose or fall. The installer must insure the fasteners that are used are of adequate strength and suitable for the installation location.

## Evanesce B Series | Controls and Accessories

A. IR Remote	B. RF Remote	C. Wall switch control box	D. 5-12 volt trigger cable
			 Red 12V   Green 0V
E. IR extended "eye" receiver	F. Wireless 5-12v (3.5 mm) mono trigger cable	G. AAA batteries	H. Bubble leveler
			

### Screen Operation

**Electric Current:** Depending upon region, your Elite Screen will operate on 100v, 110v, or 220v voltage.

1. After ensuring the power outlet & screen are compatible (voltage), plug the power cord into the power outlet.
2. Once the screen has power, you'll be able to control it using any of the 6 methods described below.

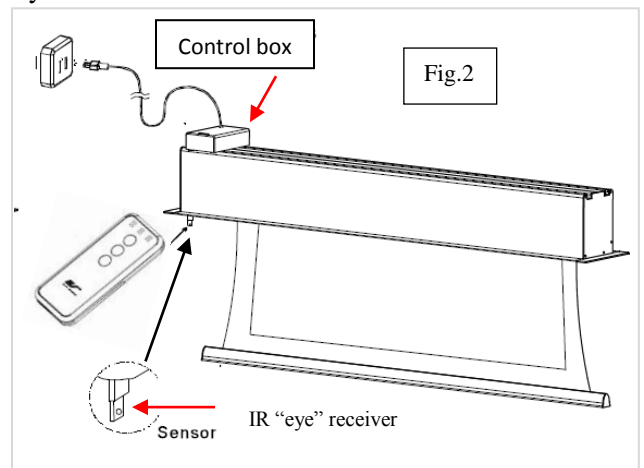
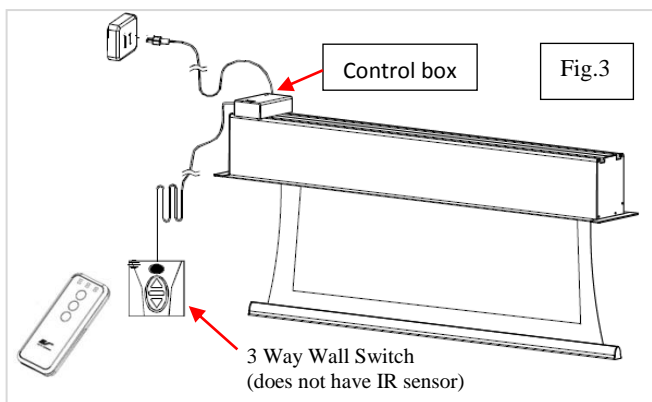
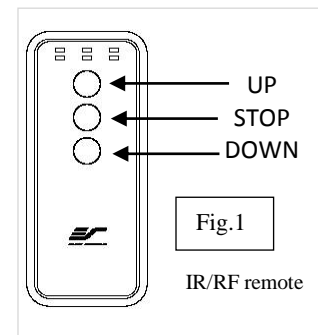
### 6 ways to control your Evanesce B

1. **IR remote control (Item A, Fig 1):** The Infrared functions by direct line of sight contact with a beam range of 30 feet. Aim the IR remote at the "eye" receiver once it has been connected to the control box's RJ45 port.

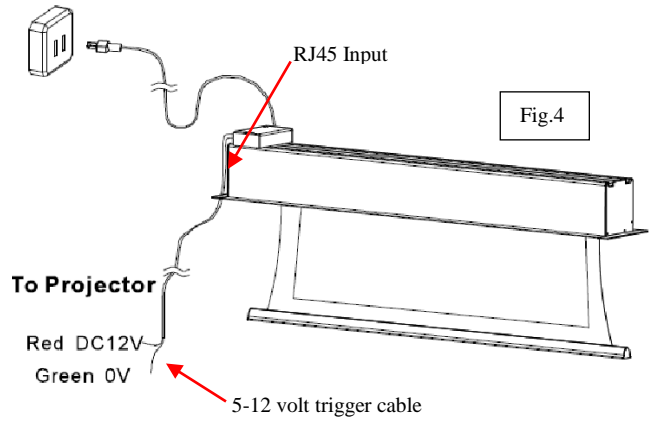
2. **IR "Eye" Receiver (Item E, Fig 2):** The IR "Eye" Receiver plugs directly into the control box's RJ45 port to present a low profile line-of-sight control option for your IR remote control even in a recessed ceiling installation.

3. **RF Remote Control (Item B):** The radio waves eliminate the need for a direct line of sight with a range of 100 feet.

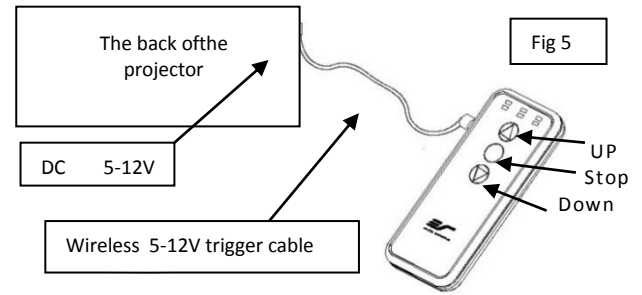
4. **3-Way Wall Switch (Item C, Fig 3):** The 3-way wall switch is a wall mount switch with an up/stop/down button and plugs directly into the control box's RJ45 port.



**5. 5-12 volt trigger (Item D, Fig 4):** The built-in 5-12V trigger input allows your screen to synchronize its drop & rise with the projector's power cycle. The screen deploys when the projector powers up and will retract when the projector powers down. The 5-12 volt RJ45 cable connects to your projector's trigger output via a separate cable that may or may not be provided by the manufacturer of the projector. The trigger feature will not work without an output cable from the projector, but it can be tested by connecting the Red (+) and Green (-) cable to a 9-volt battery.



**6. Wireless 5-12 volt trigger (Item F, Fig 5):** The RF remote control serves as a dual purpose, independently as a handheld remote control, or in conjunction with the Wireless 5-12 volt trigger cable. The radio frequency technology can be programmed to send a wireless signal to synchronize its drop/rise with the projector's power cycle.

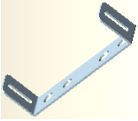
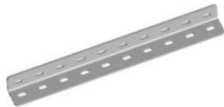









**Here's how to set up your Wireless 5-12 volt trigger | Synchronization Instructions**

- Step 1:** Connect one end of the 3.5 mm wireless 5-12 volt trigger cable to the RF remote.
  - Step 2:** Connect the other 3.5 mm end of the wireless 5-12 volt trigger cable to your projector
  - Step 3:** Make sure to unplug your screen from the power outlet
  - Step 4:** Hold the **UP** button on your RF remote
  - Step 5:** While holding the **UP** button, plug the screen back to the power outlet
  - Step 6:** Wait 5 seconds and then release the **UP** button
  - Step 7:** Your 5-12V wireless trigger should now be activated with your screen and ready to be used and able to control your screen with your projector's power cycle
- Repeat the steps again if not successful.  
 (Please be aware, the projector on/off cycle may take longer to fully activate. It usually takes around 20-30seconds for full off and on cycle each time)

**Hardware Parts List for Evanesce B Series**

*Please make sure all parts listed below are included before proceeding with the installation.*

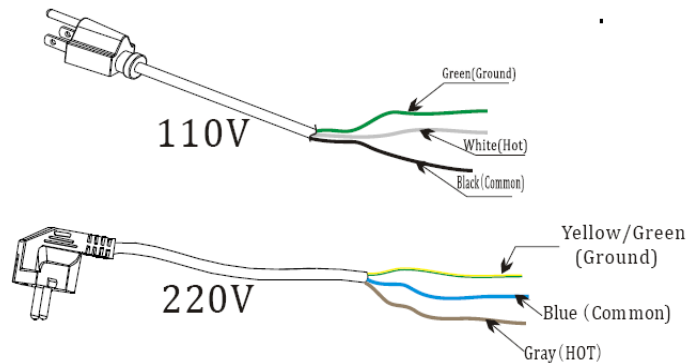
Hardware Parts List for above ceiling installation		
A. Suspension Bracket x 2 	B. Suspension Bar x 4 	C. End Flange x 2 
C. M8x16mmx1.5mm washer x 8 	D. M6x13mmx2mm washer x 8 	E. M8 nut x 4 
F. M6 nut x 4 	G. M8x40mm hex screw x 4 	H. M6x20mm screw x 4 

## Installation Instructions

The Evanesce B allows access for above or below ceiling installation. Please follow the instructions described in the following steps below for your type of installation.

### Power

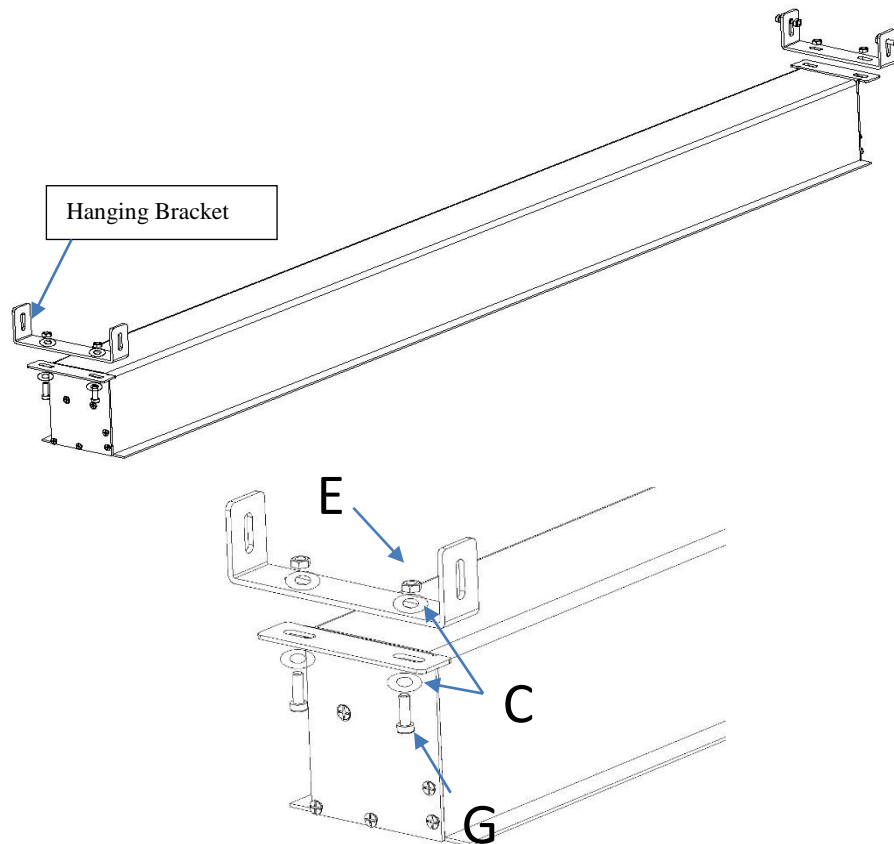
The Evanesce B Series includes a 3-Prong Power Cord (2-Prong Power Cord for some countries) for use in a non-concealed power outlet. If your installation will be entirely concealed (including power outlet), Elite Screens strongly recommends a hardwire connection. Please refer to the image below for both 110v & 220v wiring information.



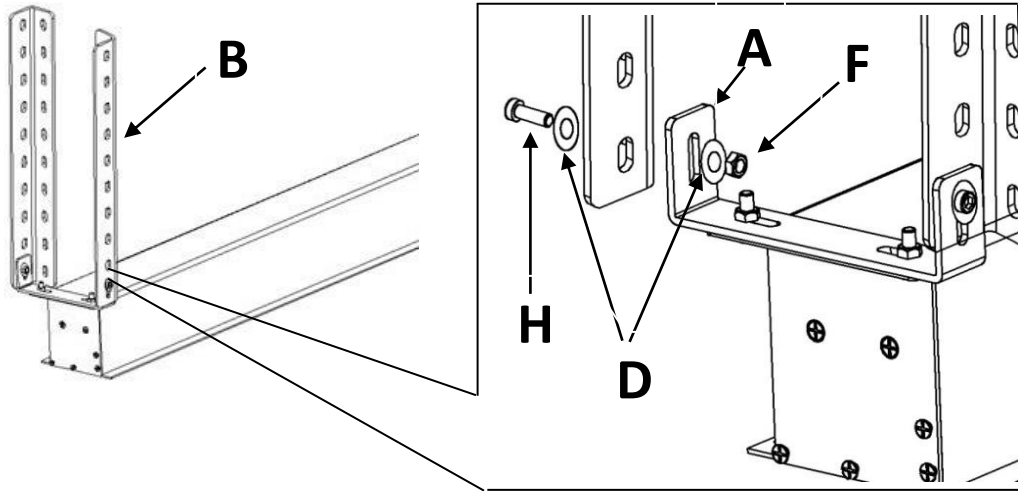
### A. Above Ceiling Installation Instructions

#### Assembly

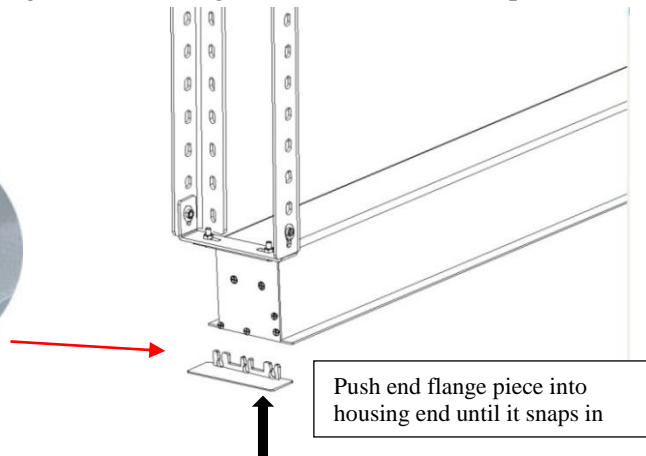
1. Place the **hanging bracket** (A) over the left and right side ends of the housing and secure each one using the **M8x40mm hex screw** (G), **M8x16mmx1.5mm washers** (C) and **M8 nut** (E) as shown below.



2. Place the **Suspension Bar (B)** over the **Hanging Bracket (A)** and align with the hole as shown below according to the height requirement for your installation area. Secure the **Suspension Bar (B)** with the **M6x20mmScrew (B)**, **M6x13mmx2mmWasher (E)** and the **M6 Nut (F)**. Repeat the process for the other side.











3. Insert the **end flange piece (C)** on the edge of the housing as shown below to complete the assembly. The screen is now ready for installation.

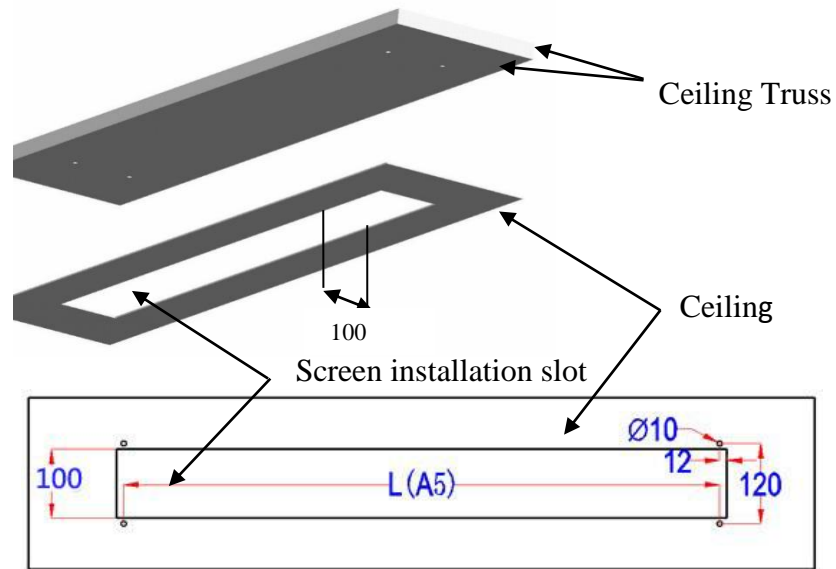


## B. Below ceiling installation instructions

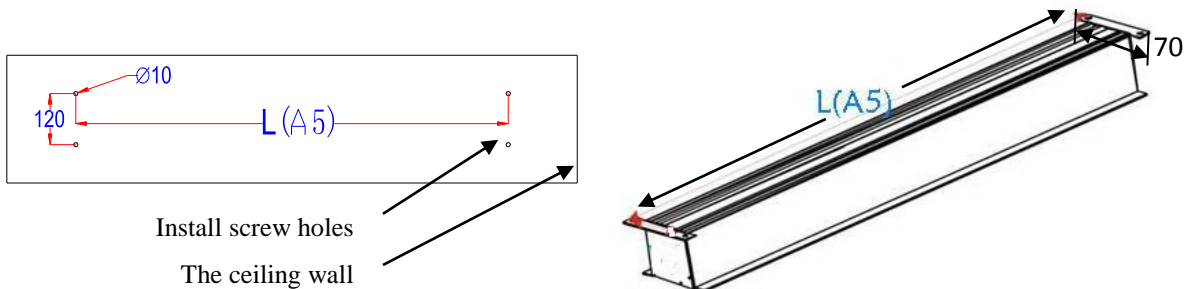
*Please make sure all parts listed below are included before proceeding with the installation.*

Hardware Parts List for below ceiling installation			
A. End Flange x 2 	B. Hanging bracket x 2 	C. Threaded rod x 4 	D. Socket wrench x 1 
E. M8x16mmx1.5mm washer x 28 	F. M8 nut x 20 	G.M8 Top expanding bolt x 4 	H. M8x40mm hex screw x 4 

1. Measure and cut the ceiling installation slot:  
The width should not exceed 100mm and not less than the width of the screen's housing. Measure the length of your screen to determine the length.

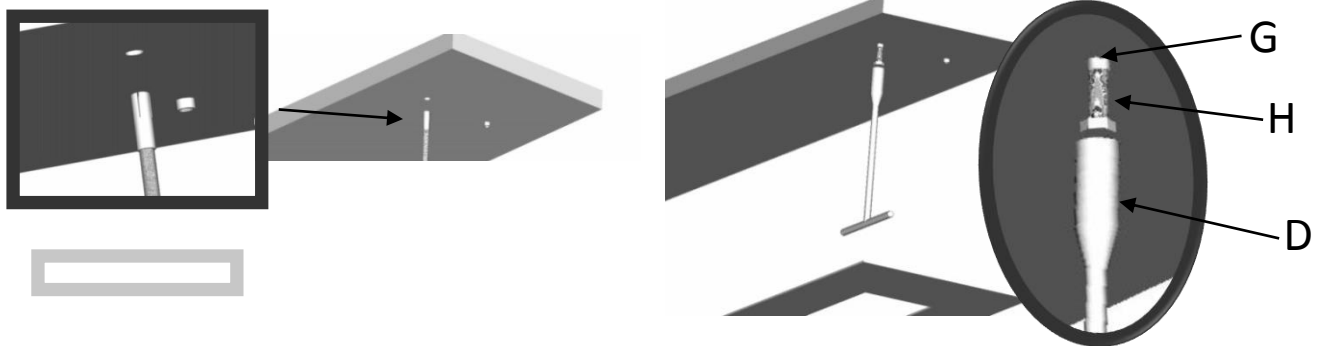


2. Drill 4 holes in the ceiling that correspond with the attachments on the various casing sizes. The width should be 120mm. The length of (A5) in the diagram below depicts the distance between the holes located on each ear end of the screen's case.

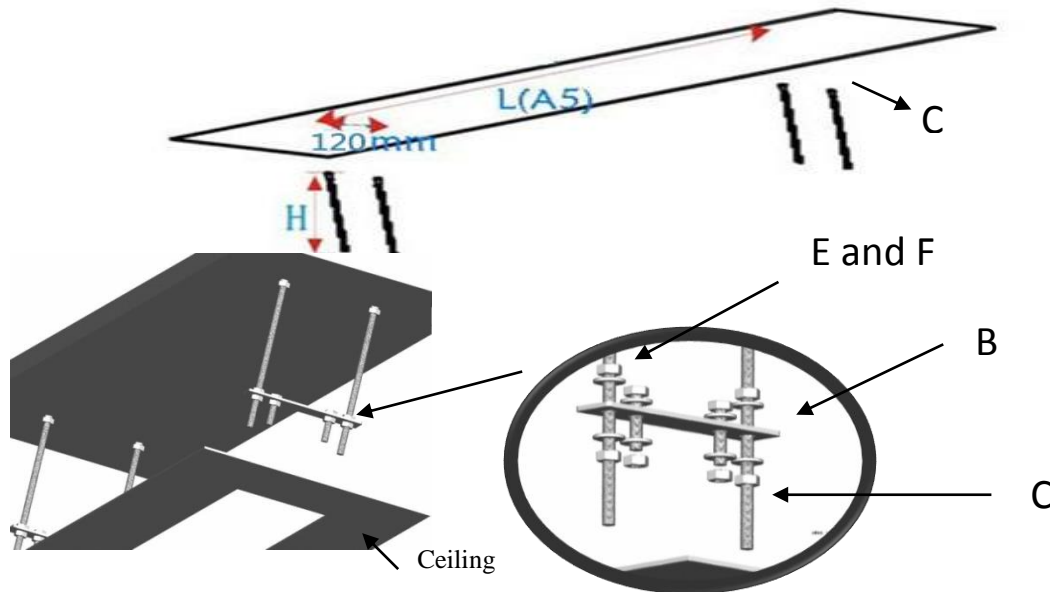


Install screw holes  
The ceiling wall

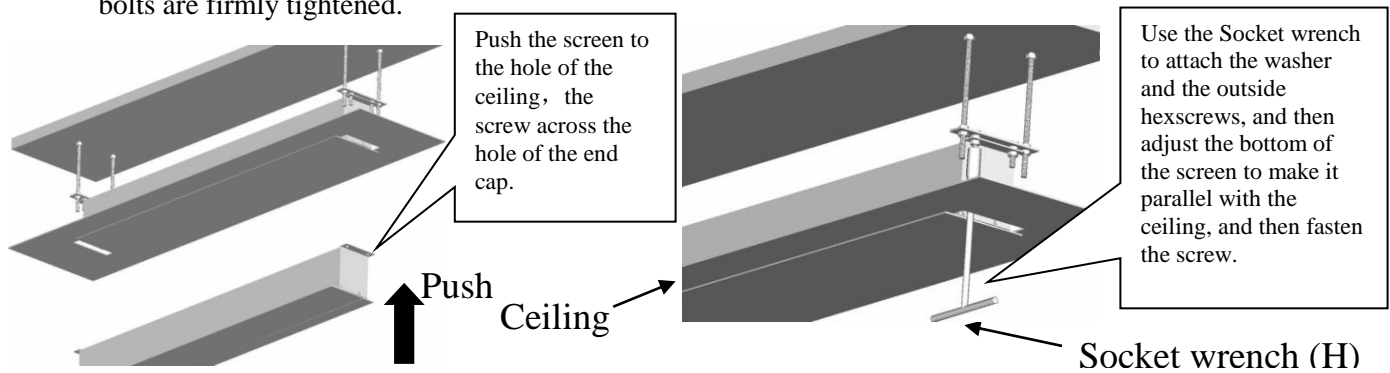
3. The **M8expanding bolts** (G) mount into thick wood beams, stone or concrete and will support the screen. Use the **Socket wrench** (D) to attach the **M8x40mm hexagonal screws**. The expanding bolts should be firmly tightened and tested to make sure that they will hold the weight of the screen.



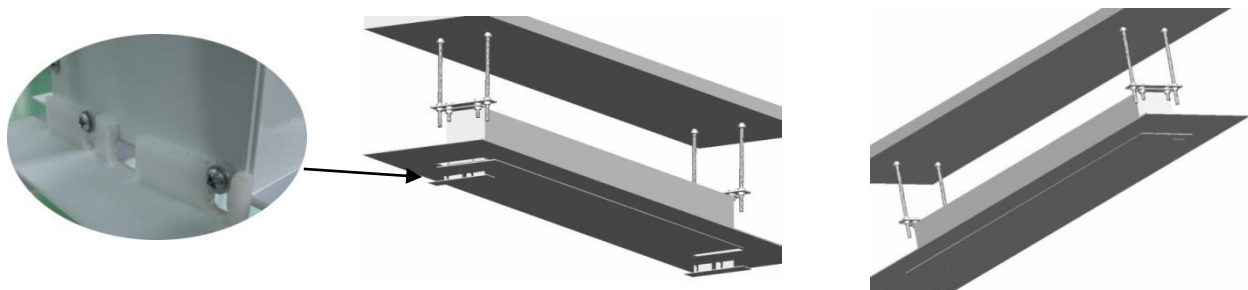
4. Insert the **threaded rods**(C) through the **M8 expanding bolts** and then attach the **M8x40mm hexagonal screws** with the **washer** (E). Last put the **Hanging Bracket** (B) through the threaded rod equal to the height of the screen's housing. Once they are firmly in place (as shown below) make sure that they will hold the weight of the screen.



5. Push the screen up into the space. Use the **threaded rods** (C) to attach the screen assembly to the ceiling. The **hexagonal screws** (E) will connect the screen to the rest of the assembly. Once firmly in place; use the **nuts** (F) to ensure a firm connection. Use the **socket wrench** (D) to make sure that the bolts are firmly tightened.



6. Install **end flange cover panel** (A) between the gap and the screen to complete the installation.



For local Elite Screens contact or Technical Support, please visit [www.elitescreens.com](http://www.elitescreens.com)





## Evanescence/Evanescence Tension Vertical Limit Switch Adjustment Instructions

**Caution:** The screen's Top Black Masking is already set to its maximum distance. There is **NO** extra black top drop in the roller. Attempting to increase the drop will damage the motor and **VOID** your warranty with Elite Screens. **DO NOT** use these instructions to try and get more out of your standard black masking drop. Please contact Elite Screens before making any adjustments.

- A. **If you over adjust the rise position**, the screen will attempt to go further into the case and cause it jitter and bounce.
- B. **If you over adjust the drop position**, the screen will begin to reverse itself back up.
- C. **Reversing the adjustments should bring the screen back to normal operation**

### 1. Allen Wrench

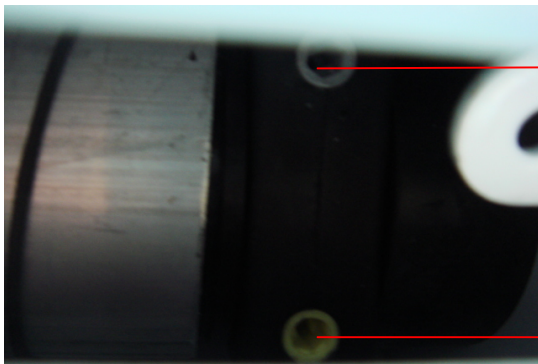


5/32" Allen wrench

Fig. 1

### 2. Limit switch adjustment holes

**Note:** The limit switches can only be viewed when the screen material is completely deployed. They are located on the right side of the screen when facing the back.



UP adjustment switch

DOWN adjustment switch

Fig. 2

**Note:** When turning the limit switches, bear in mind that a full-circle in either direction will create a one inch adjustment.

### 3. How to adjust the Retract (rise) position (shown in Fig. 3 to Fig. 6)



Fig. 3

If the screen does not retract completely (as shown in Fig. 3), use the following steps.



Fig. 4

Press the UP button on the remote first to retract the screen as much as possible.



Fig. 5

Use the allen-wrench to turn the **UP** switch counter-clockwise

**NOTE: Adjustment should be made while facing the back of the screen.**



Fig. 6

One full turn will retract your screen by 1". In order to see adjustment, deploy and retract the screen. (**Warning:** If you continue to rotate the switch once the weight bar fits flush with the casing, the screen will attempt to retract further, causing damage to the unit. DO NOT over turn the switch).

If the screen retracts too far in, press the **DOWN** button on the remote to expose the limit switches. Rotate the **UP** adjustment switch 1-2 turns clockwise. Then press the **UP** button on the remote to see the new retract position.

#### 4. How to adjust the position of the top black masking border

(shown in Fig. 7 to Fig. 9)

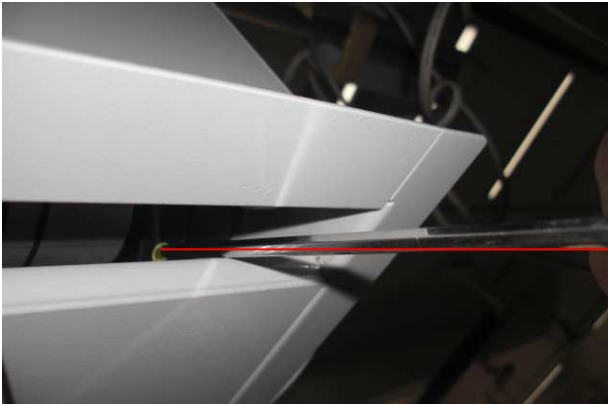
**Note:** All electric screens come with standard top black masking and they cannot be dropped further. **DO NOT** use these instructions to try to get more out of your standard black masking drop.



Fig. 7

If you need to decrease the amount of top black masking, refer to the following steps.

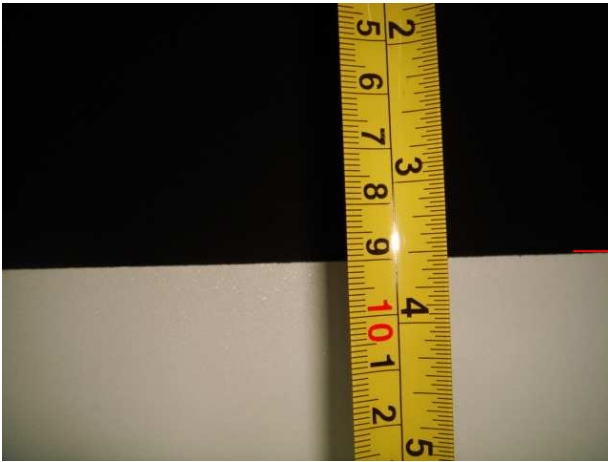
Use your remote control to fully lower the screen.



Use your allen-wrench to turn the **DOWN** switch clockwise.

**NOTE: Adjustment should be made while facing the back of the screen.**

Fig. 8



One full turn equals 1" of decreased drop. In order to notice the adjustment, retract and deploy the screen. **Warning:** Over adjusting the switch will damage the motor and void the warranty.

Fig. 9

**Note: As a rule, Elite Screens does not recommend making any unnecessary adjustments to the screen, as improper adjustment will damage the unit.**

**Please contact Technical Support for assistance @ (877) 511-1211.**

## Elite Screens - Evanesce B Dimension Table

Unit: mm																				
Models	Screen Diag. & Aspec Ratio	Overall Lenth (A)	View Width (A1)	L/R Black Masking	Screen Width	Weight Bar Length (A3)	Case Length (A4)	A5	Overall Height	Overall Height w/ Bracket (B)	View Height (B1)	Top Border (B2)	B3	Case Height (B4)	Screen Height (B5)	Case Width (C)	C1	C2	C3	C4
EB92HW2-E12	92"(16:9)	2291	2037	50	2137	2225	2230	2261	1623	2548	1146	305	76	95	1527	80	925	145	180	50
EB100HW2-E12	100"(16:9)	2471	2214	50	2314	2406	2411	2441	1722	2646	1245	305	76	95	1626	80	925	145	180	50
EB110HW2-E12	110"(16:9)	2695	2435	50	2535	2630	2635	2665	1847	2771	1370	305	76	95	1751	80	925	145	180	50
EB120HW2-E12	120"(16:9)	2913	2657	50	2756	2850	2855	2883	1867	2794	1494	203	76	95	1773	80	925	145	180	50
EB100VW2-E8	100"(4:3)	2290	2032	50	2132	2225	2230	2260	2823	3748	1524	203	76	95	1803	80	925	145	180	50
EB120VW2-E8	120"(4:3)	2695	2438	50	2598	2630	2635	2665	3128	4053	1829	203	76	95	2208	80	925	145	180	50

