

X841UHD Installation Guide

84" LCD Display

Rev 1.0

Contents:

Product Description and Notes	Page 1
Tilt Angle and Rotation	Page 1
Ventilation Recommendations	Page 2
Display Dimensions	
Front, Top, Right Side, Left Side	Page 3
Rear & Bottom	Page 4
Display Dimensions with stand	Page 5
Optional Stand dimensions	Page 6
Optional Speaker Dimensions (SP-TF1)	Page 7
Optional Speaker Dimensions (SP-RM1)	Page 8
Input Panel	Page 9
Control Codes	Page 9
Cable Connection	Page 10
Browser Control	Page 10



Product Description:

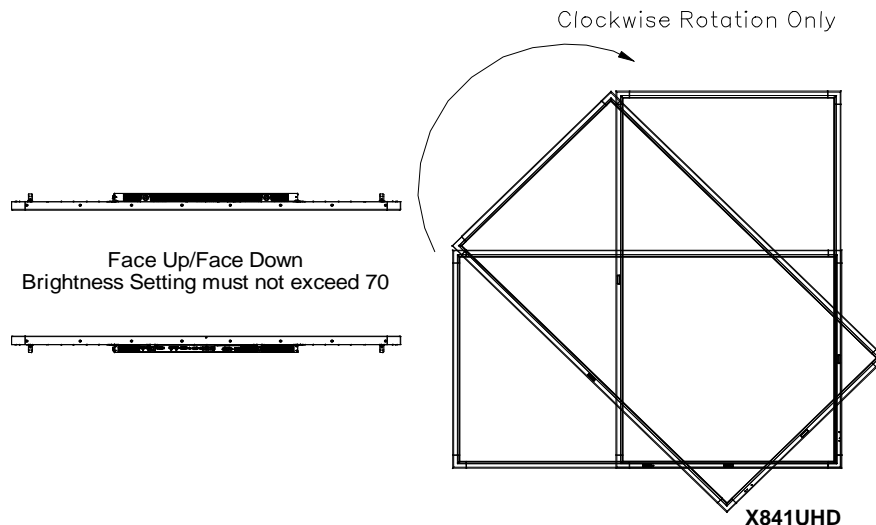
Type:	LCD Display	
Resolution:	3840 x 2160	Dimensions without stand: 76.0" (W) x 44.0" (L) x 3.3" (D)
Aspect Ratio:	16:9	Dimensions with stand: 76.0"(W) x 45.4"(H) x 23.9"(D)
FCC:	Class B	Weight without stand: 155.4 lbs
Power Consumption:	500W (max with no speaker/OPS slot)	Weight with stand: 165.6 lbs
BTU's:	1706.07 BTU/hour	

NOTES:

- This document is intended to be used as a reference guide to supply useful information for a design or installation. It is not intended to be a step-by-step procedure for installation.
- Any ceilings or walls must be strong enough to support the monitor and the installation must be in accordance with any local building codes. All mounts should make secure contact to wood studs.
- 4:3 sources can be displayed on the 16:9 screen in either normal aspect ratio with bars on the left or right, or stretched horizontally to fill the screen using the menus (see "Aspect Modes" in menus and user manual).
- Distances are in inches, for millimeters multiply by 25.4.
- Distances may vary $\pm 5\%$.

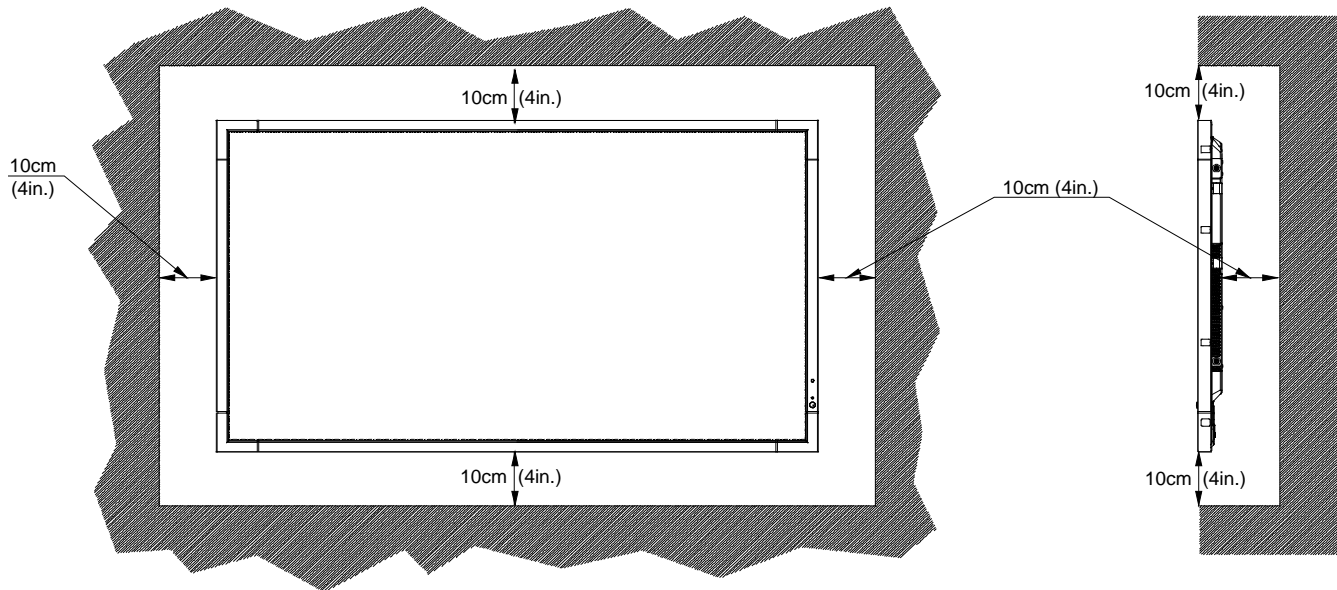
Tilt Angle and Rotation:

- Below is the maximum angle the monitor can be tilted. Note that the monitor can only be tilted in the landscape position.



Ventilation Recommendations:

Dimensions below are minimum required for proper ventilation.



NOTE:

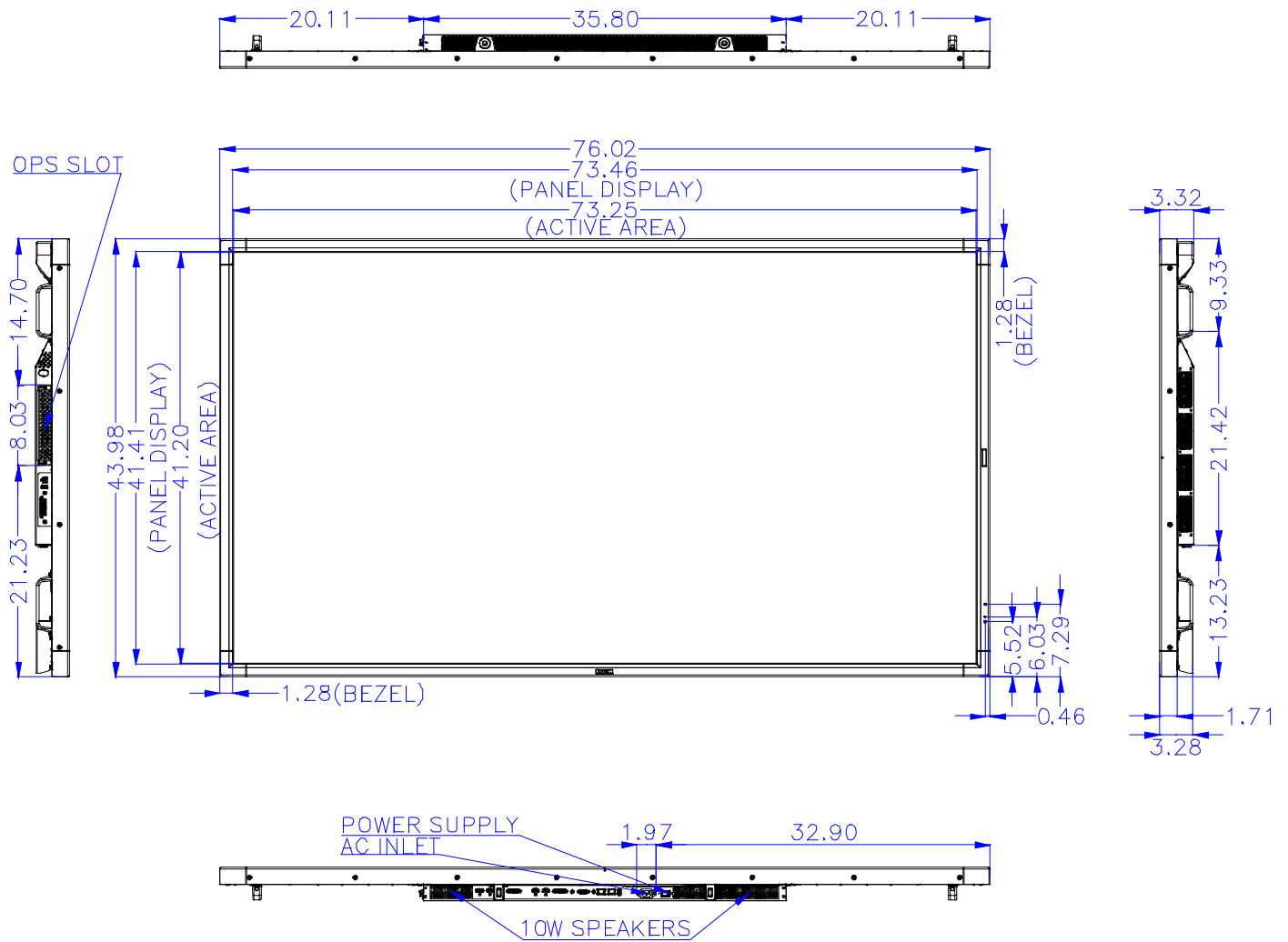
- The ventilation space should not be covered or closed off at the front of the opening. If for some reason the opening needs to be covered, other means of ventilation will need to be incorporated into the design. Contact NEC for design review and recommendations.

X841UHD Installation Guide

84" LCD Display

Rev 1.0

Display Dimensions:



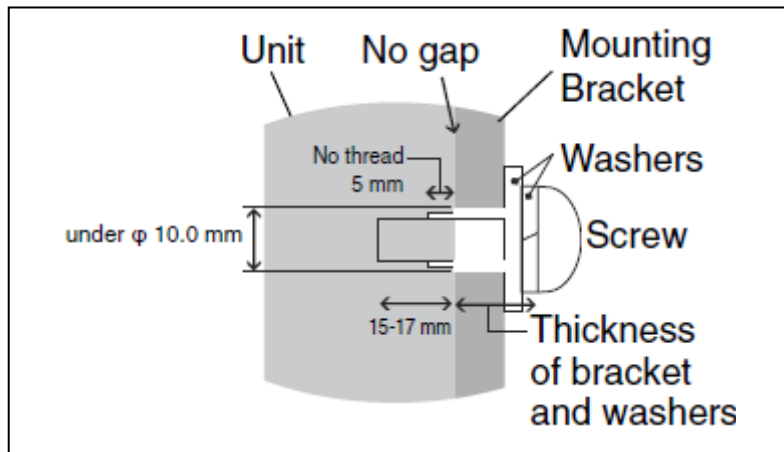
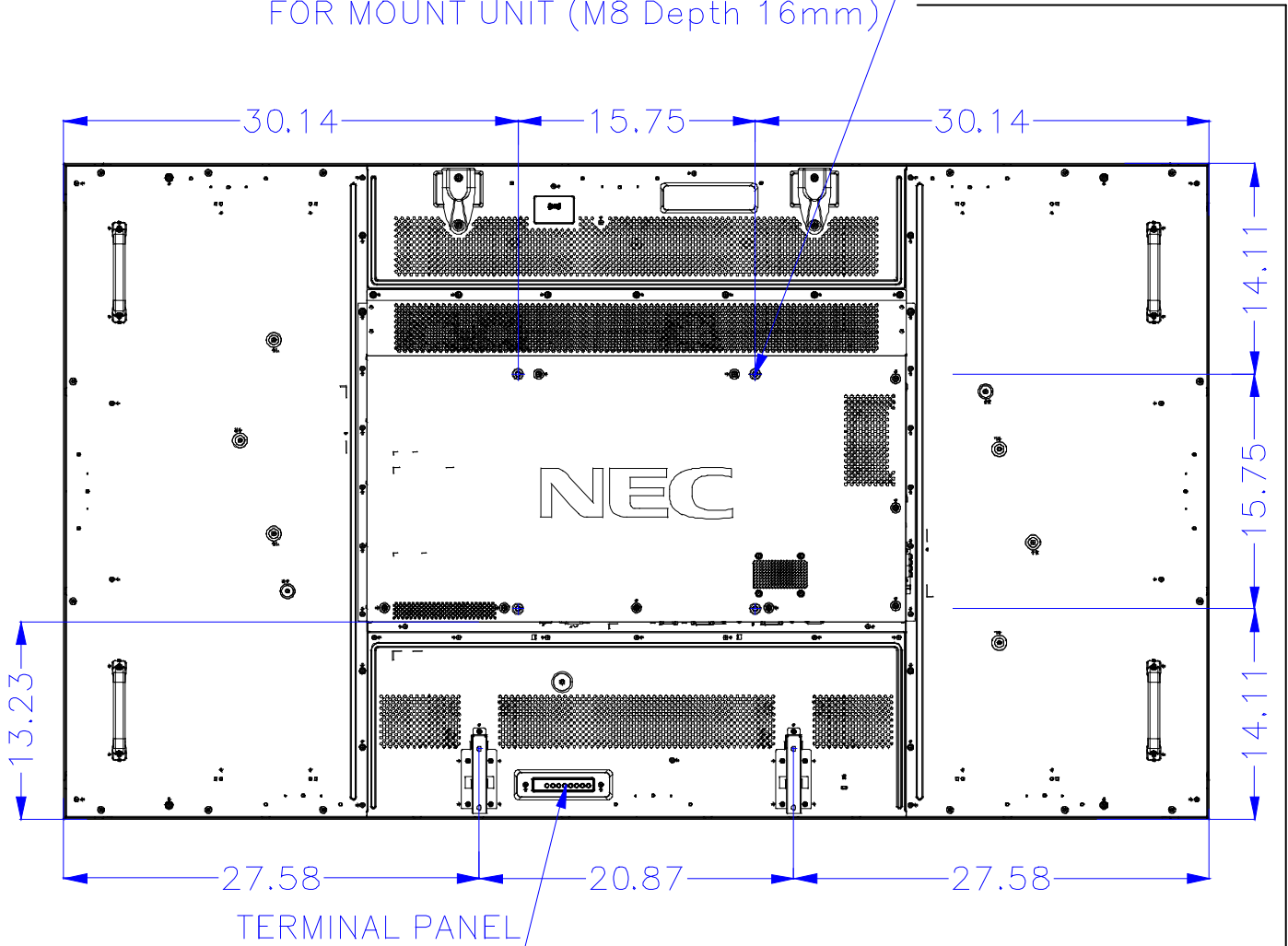
X841UHD Installation Guide

84" LCD Display

Rev 1.0

Display Dimensions (cont.):

400mm MOUNTING HOLE PATTERN
FOR MOUNT UNIT (M8 Depth 16mm)

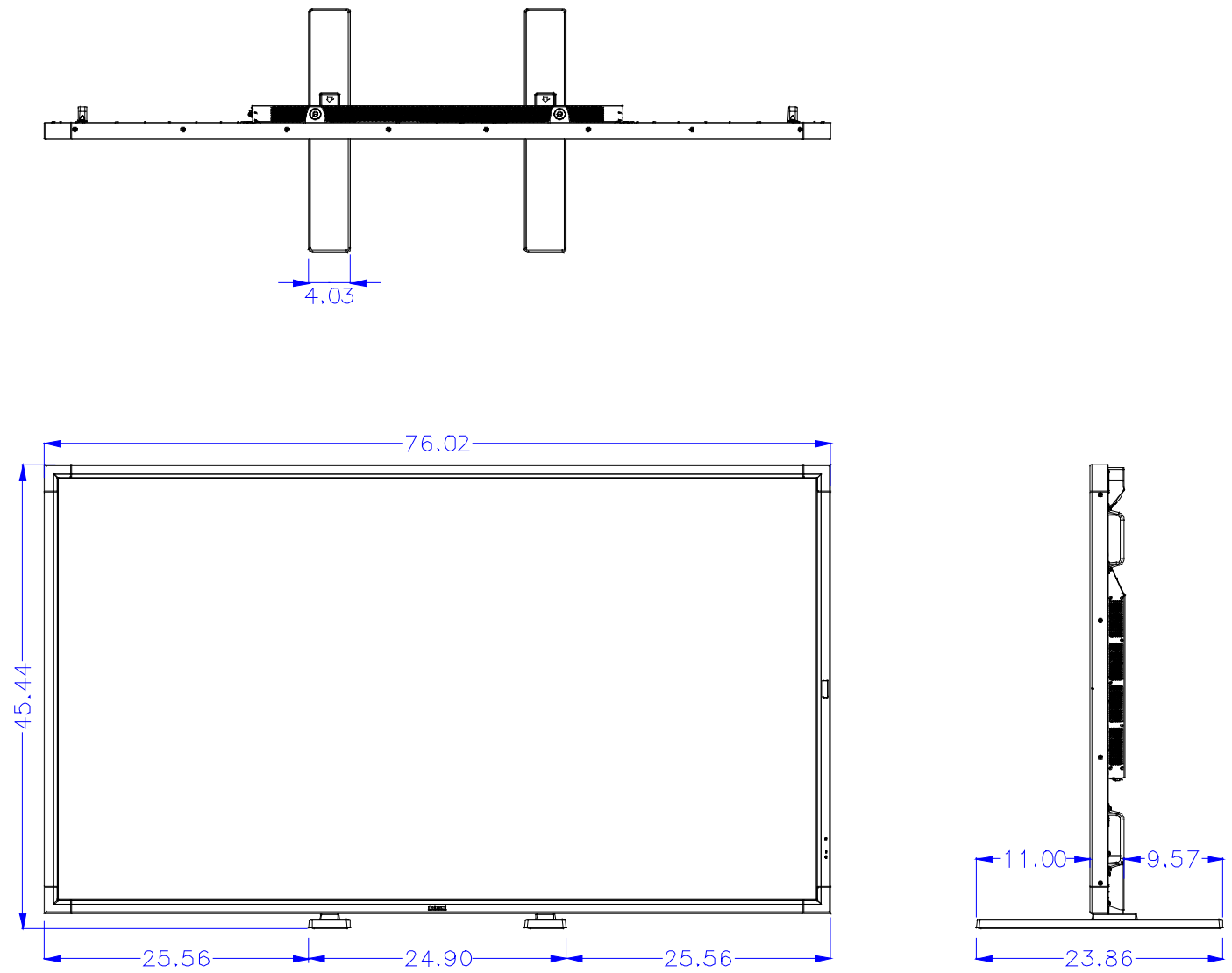


X841UHD Installation Guide

84" LCD Display

Rev 1.0

Display Dimensions (with optional stand):

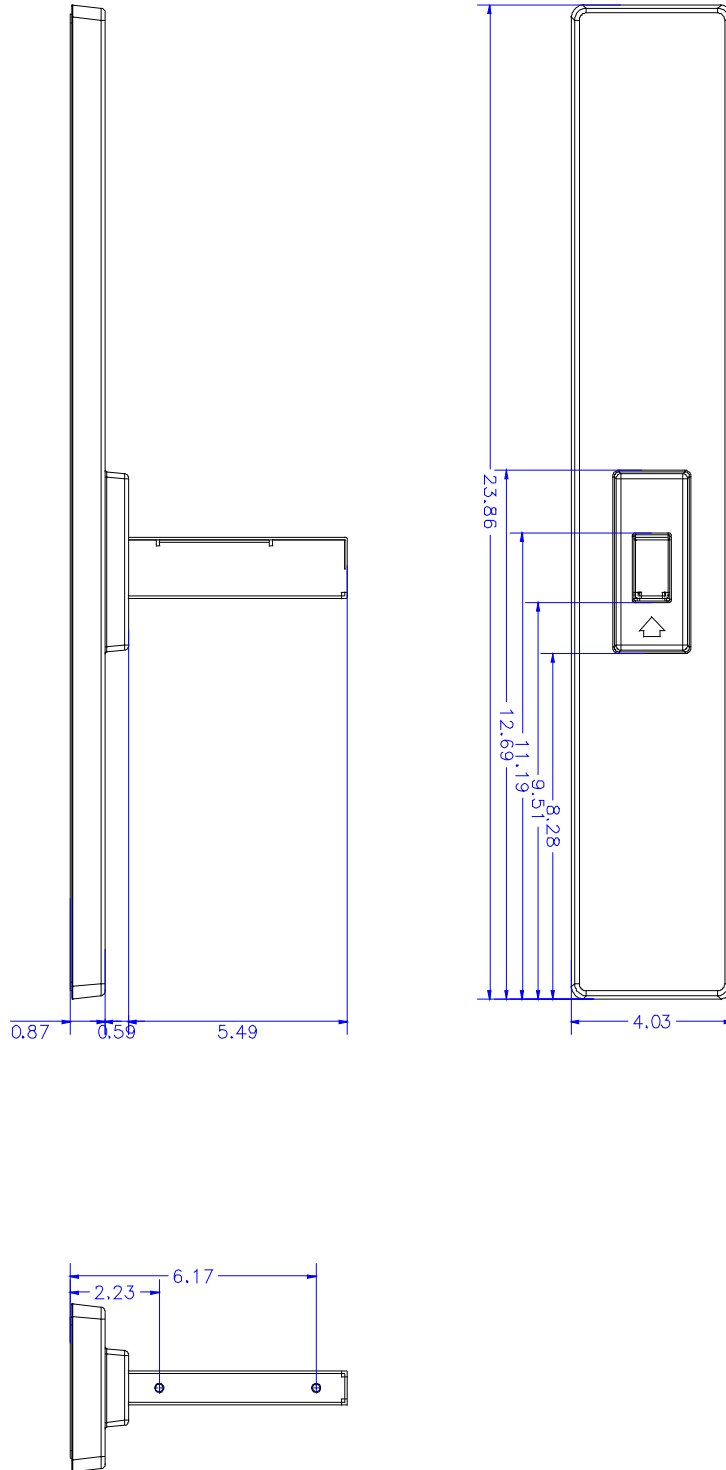


X841UHD Installation Guide

84" LCD Display

Rev 1.0

Table Top Stand Dimensions (ST-801):

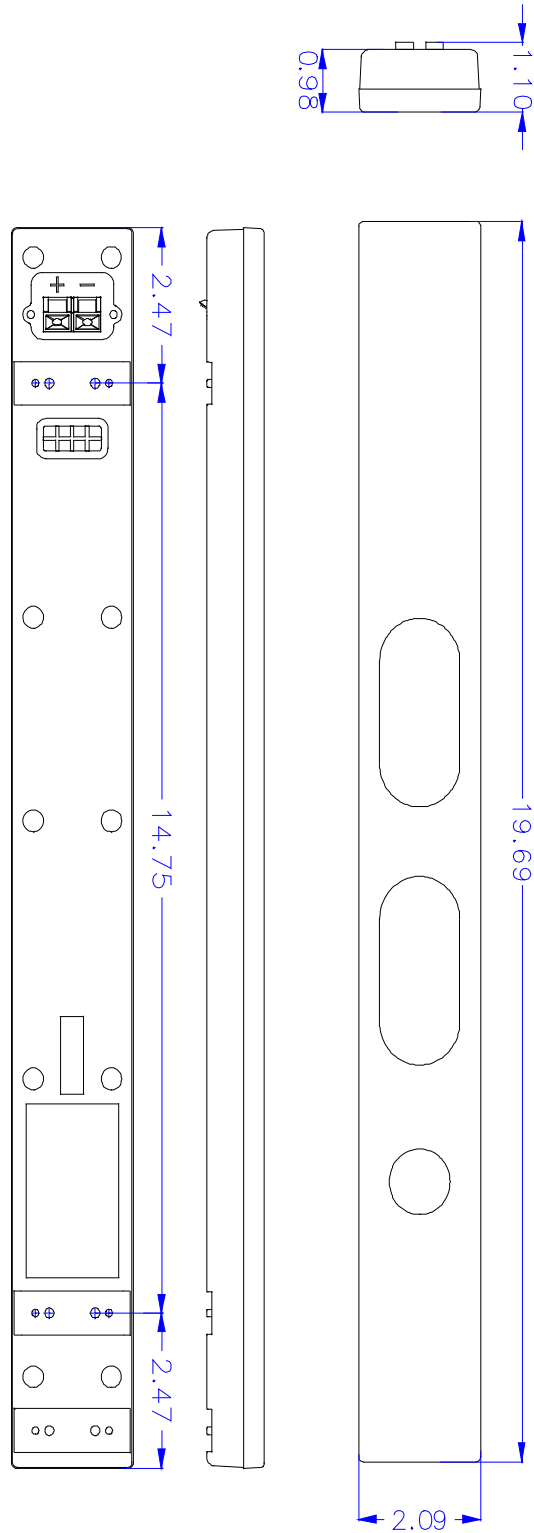


X841UHD Installation Guide

84" LCD Display

Rev 1.0

Optional Speaker Dimensions (SP-TF1)

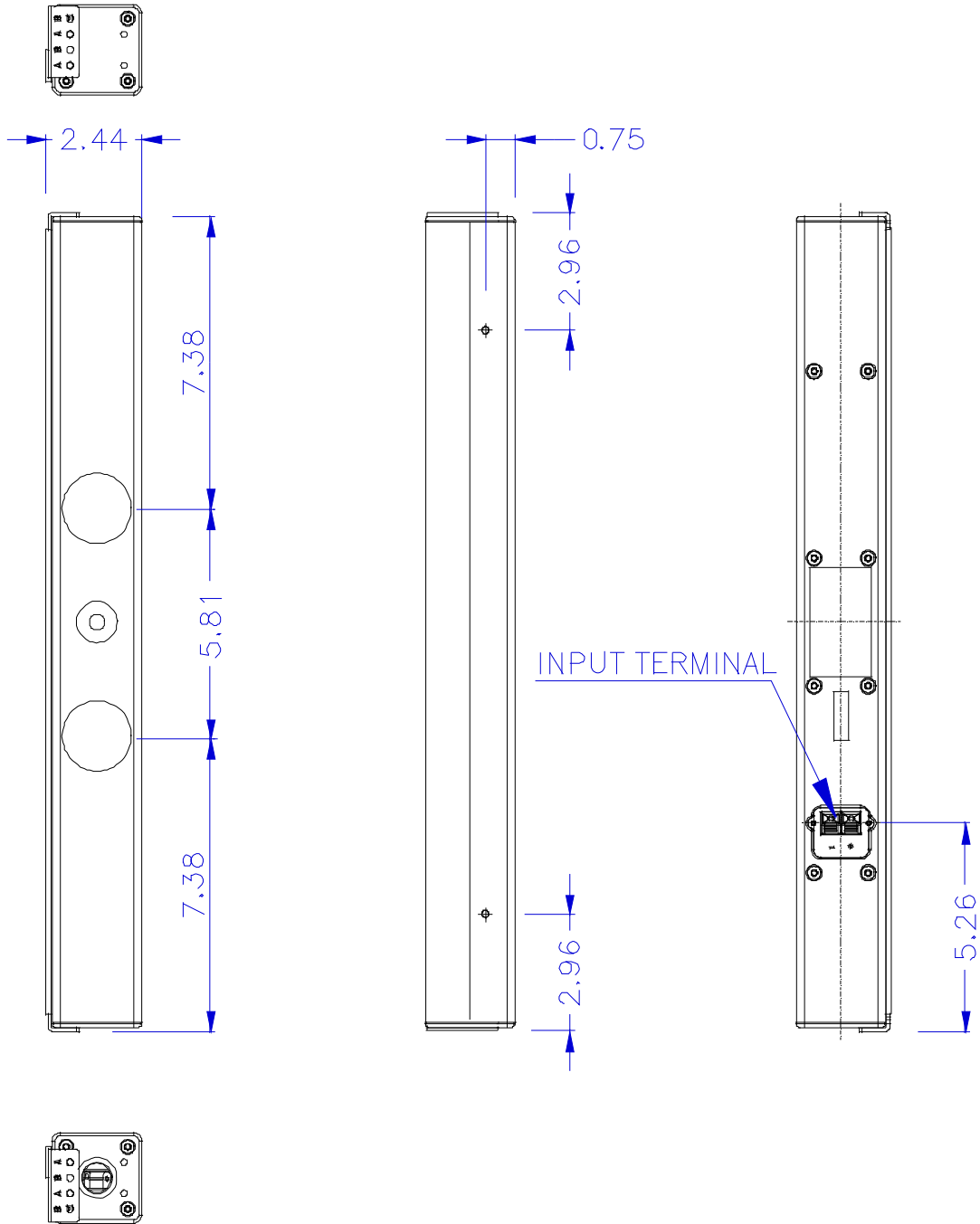


X841UHD Installation Guide

84" LCD Display

Rev 1.0

Optional Speaker Dimensions including holder (SP-RM1):



X841UHD Installation Guide

84" LCD Display

Rev 1.0

Input Panel:

Bottom



Side (Rotated)



Control Codes:

Function (Monitor ID = 1)	Code Data
Power ON	01 30 41 30 41 30 43 02 43 32 30 33 44 36 30 30 30 31 03 73 0d
Power OFF	01 30 41 30 41 30 43 02 43 32 30 33 44 36 30 30 30 34 03 76 0d
Input Source Select DisplayPort	01 30 41 30 45 30 41 02 30 30 36 30 30 30 30 46 03 04 0d or 01 30 41 30 45 30 41 02 31 31 30 36 30 30 30 46 03 04 0d
Input Source Select DVI1	01 30 41 30 45 30 41 02 30 30 36 30 30 30 30 33 03 71 0d or 01 30 41 30 45 30 41 02 31 31 30 36 30 30 30 33 03 71 0d
Input Source Select DVI2	01 30 41 30 45 30 41 02 30 30 36 30 30 30 30 34 03 76 0d or 01 30 41 30 45 30 41 02 31 31 30 36 30 30 30 34 03 76 0d
Input Source Select HDMI1	01 30 41 30 45 30 41 02 30 30 36 30 30 30 31 31 03 72 0d or 01 30 41 30 45 30 41 02 31 31 30 36 30 30 31 31 03 72 0d
Input Source Select HDMI2	01 30 41 30 45 30 41 02 30 30 36 30 30 30 31 32 03 71 0d or 01 30 41 30 45 30 41 02 31 31 30 36 30 30 31 32 03 71 0d
Input Source Select HDMI3	01 30 41 30 45 30 41 02 31 31 30 36 30 30 38 32 03 78 0d
Input Source Select HDMI4	01 30 41 30 45 30 41 02 31 31 30 36 30 30 38 33 03 79 0d
Input Source Select OPTION	01 30 41 30 45 30 41 02 30 30 36 30 30 30 30 44 03 06 0d or 01 30 41 30 45 30 41 02 31 31 30 36 30 30 30 44 03 06 0d
Sound Mute ON	01 30 41 30 45 30 41 02 30 30 38 44 30 30 30 31 03 09 0d
Sound Mute OFF	01 30 41 30 45 30 41 02 30 30 38 44 30 30 30 32 03 0a 0d

NOTE: Contact your NEC representative for codes not listed.

X841UHD Installation Guide

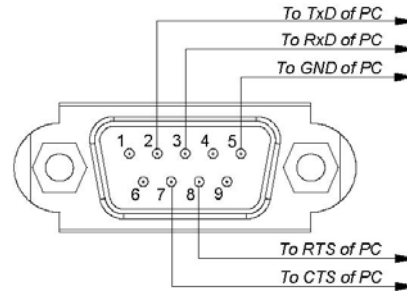
84" LCD Display

Rev 1.0

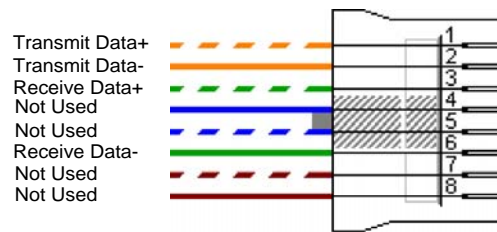
Cable Connection

Communication Protocol:

Interface: RS-232C
 Communication System: Asynchronous
 Baud Rate: 9600 bps
 Data Length: 8 bits
 Parity: None
 Stop Bit: 1 bit
 Communication Code: ASCII



Interface: Ethernet (CSMA/CD)
 Communication System: TCP/IP (Internet Protocol Suite)
 Communication Layer: Transport layer (TCP)
 IP Address: 192.168.0.10 (default out of box)
 Port Number: 7142 (Fixed)



Browser Control

Information and control can also be available through the HTTP browser control menu.

In order to accomplish this, type: **http://<the Monitor's IP address>/pd_index.html**

Note that the LAN Power needs to be turned on in order for the display to be controlled while the units are off.

All displays are set to the IP address 192.168.0.10 out of the box

Communicating network PC needs to be on the same subnet as display that is being communicated with

NEC X841UHD HDMI1

- HOME
- REMOTE CONTROL
- PICTURE ADJUST
- AUDIO
- SCHEDULE
- MULTI PICTURE CONTROL
- OSD
- MULTI DISPLAY
- DISPLAY PROTECTION
- EXTERNAL CONTROL
- ADVANCED OPTION1
- ADVANCED OPTION2
- NETWORK
- MAIL
- SNMP
- AMX
- CRESTRON
- NAME
- NETWORK PASSWORD
- FD LIST
- MEMO
- UPDATE FIRMWARE
- PORT
- UPDATE FIRMWARE(ALL)

HOME

Welcome to the management and configuration web interface.
 You can use the navigation menus on the left to access additional pages.

MONITOR INFORMATION	
MODEL NAME	X841UHD
SERIAL	45500005TA

FIRMWARE VERSION	
FIRMWARE1	0.017
FIRMWARE2	0.008
FIRMWARE3	0.011
FIRMWARE4	0.002

ETHERNET	
MAC ADDRESS	58:C2:32:33:00:03
IPv4 ADDRESS	192.168.0.10
SUBNET MASK	255.255.255.0
DEFAULT GATEWAY	0.0.0.0
DNS PRIMARY	0.0.0.0
DNS SECONDARY	0.0.0.0

ID

Copyright © NEC Display Solutions, Ltd. 2014. All rights reserved.