

ML280eco

OKI

••• USER'S GUIDE



Every effort has been made to ensure that the information in this document is complete, accurate, and up-to-date. The manufacturer assumes no responsibility for the results of errors beyond its control. The manufacturer also cannot guarantee that changes in software and equipment made by other manufacturers and referred to in this Guide will not affect the applicability of the information in it. Mention of software products manufactured by other companies does not necessarily constitute endorsement by the manufacturer.

While all reasonable efforts have been made to make this document as accurate and helpful as possible, we make no warranty of any kind, expressed or implied, as to the accuracy or completeness of the information contained herein.

The most up-to-date drivers and manuals are available from the OKI Data global website:

<http://www.oki.com/printing/>

Copyright © 2017. All rights reserved.

OKI and Microline are registered trademarks of Oki Electric Industry Co., Ltd.

Hewlett-Packard, HP, and LaserJet are registered trademarks of Hewlett-Packard Company.

Microsoft, MS-DOS and Windows are registered trademarks of Microsoft Corporation.

Apple, Macintosh and Mac OS are registered trademarks of Apple Computer Inc.

Other product names and brand names are registered trademarks or trademarks of their proprietors.



This product complies with the requirements of the Council Directives 2014/30/EU (EMC), 2014/35/EU (LVD), 2014/53/EU (RED) and 2011/65/EU (RoHS) as amended where applicable, on the approximation of the laws of the member states relating to electromagnetic compatibility, low voltage and restriction of hazardous substances.

CONTENTS

Notes, Cautions and Warnings	5
Introduction	6
Using this Manual	6
Online usage	7
Printing Pages	7
Getting Started	9
Location	9
Contents and Unpacking	9
Removing the shipping restraint	10
Installing/Replacing the Ribbon Cartridge	11
Ribbon Cartridge Handling	11
Installing the Platen Knob	13
Adjusting the Head Gap	14
Fitting the Paper Separator	15
Setting up your Printer	16
Power Connection	16
Loading Paper	17
Rear feed continuous form fan-fold paper	17
Bottom feed continuous form fan-fold paper. . .	19
Top feed single sheet paper	20
Testing your printer	21
Computer Connections	23
Parallel (LPT) Connection, IEEE 1284	23
USB Connection	24
Serial Connection	25
Printer Drivers	26
Operating your Printer	27
Front Panel Operation	27
Setting Printer Defaults	29
Entering the MENU mode	29
Default Menu selections	30
Using the pull Tractor Unit (if fitted)	31
Using the Roll Paper Stand (if fitted)	33
Loading the Paper	33
Maintenance	35
Replacing the Ribbon Cartridge	35

Adjusting the Printhead Gap	35
Loading Paper	35
Testing your printer	35
Troubleshooting	36
General Information	36
Clearing Paper Jams	40
Rear Feed Jams	40
Rear Feed, Repeating Paper Jams	41
Single Sheet Paper Jams	42
Parts and Accessories	43
Purchasing Parts & Accessories	43
Options	44
Specifications	45
Index	47
Oki contact details	49

NOTES, CAUTIONS AND WARNINGS

CAUTION!

A caution appears in this manual like this. A caution provides additional information which, if ignored, may result in equipment malfunction or damage.

WARNING!

A warning appears in this manual like this. A warning provides additional information which, if ignored, may result in a risk of personal injury.

NOTE

A note appears like this. A note provides additional information to supplement the main text.

NOTE

This product is not intended for use in the immediate visual field on the display work place. To avoid disturbing reflections on the display work place, this product shall not be placed in the immediate field of vision.

INTRODUCTION

Congratulations on purchasing this Oki printer!

In this chapter you will find a summary of the main features of your printer followed by some advice on how to use this User's Guide to get the most from your printer.

The ML280eco is an entry level 9 pin dot-matrix printer. It is fast, robust, compact and light. Outstanding reliability, compact size and ease of use make it ideal for industrial workstation applications, as well as customer service points in wholesale, retail and service environments.

USING THIS MANUAL

This manual will lead you logically through the unpacking, setting up and operation of your printer to help you to make the best use of its many advanced features. Also included are guidelines for troubleshooting and maintenance to ensure that it continues to perform at its best. Instructions are also provided for adding optional accessories as your needs evolve.

- ❖ The User's Guide has been written using one printer as a model, and the illustrations/screenshots reflect this. What you see will be appropriate to the model you are installing.
- ❖ The User's Guide has been designed to provide you with a clear presentation on the installation and maintenance of your new printer. This information is compiled in the logical sequence required to result in a successful installation.

NOTE

- ❖ *The information in this manual is supplemented by the extensive online help facility associated with the printer driver software.*
 - ❖ *In addition, we provide a Technical Reference Guide for those users requiring more in-depth Technical information. This is available in English only.*
-

ONLINE USAGE

This manual is intended to be read on screen using Adobe Acrobat Reader. Use the navigation and viewing tools provided in Acrobat.

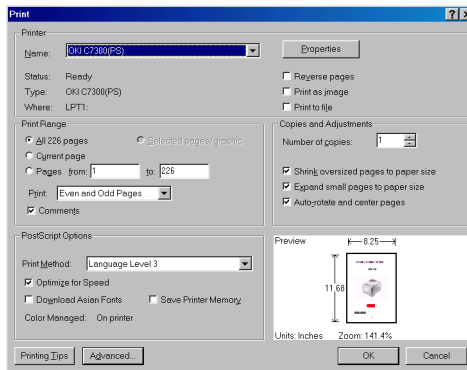
You can access specific information in two ways:

- ❖ In the list of bookmarks down the left hand side of your screen, click on the topic of interest to jump to the required topic. (If the bookmarks are not available, use the Table of Contents).
- ❖ In the list of bookmarks click on Index to jump to the Index. (If the bookmarks are not available, use the Table of Contents). Find the term of interest in the alphabetically arranged index and click on the associated page number to jump to the page containing the subject.

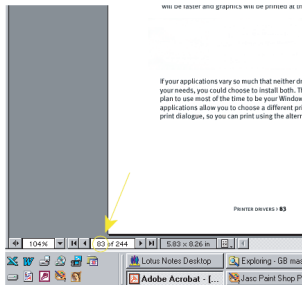
PRINTING PAGES

The whole book, individual pages, or sections may be printed. The procedure is:

1. From the toolbar, select [File], then [Print] (or press the Ctrl + P keys).
2. Choose which pages you wish to print:
 - (a) **All pages**, for the entire manual.
 - (b) **Current page** for the page at which you are looking.



- (c) **Pages from and to** for the range of pages you specify by entering their page numbers.



3. Click on **OK**.

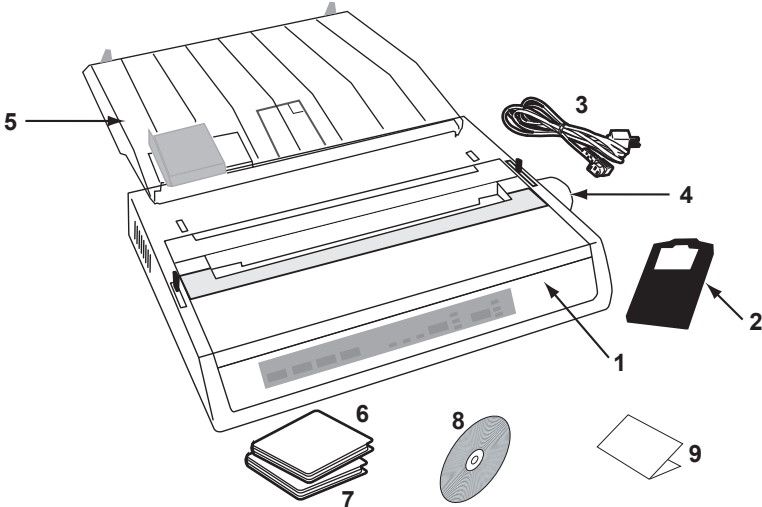
GETTING STARTED

LOCATION

- ❖ Select a firm, solid surface on which to site your printer.
- ❖ Allow enough space around the printer to easily access the platen knob and the various paper feed paths.
- ❖ Make sure a suitable grounded power outlet is available nearby.
- ❖ Read the Installation Safety Booklet.

CONTENTS AND UNPACKING

- ❖ If any items are missing, contact your dealer immediately.
- ❖ Keep your packing materials and carton in case you ever need to ship or transport the printer.

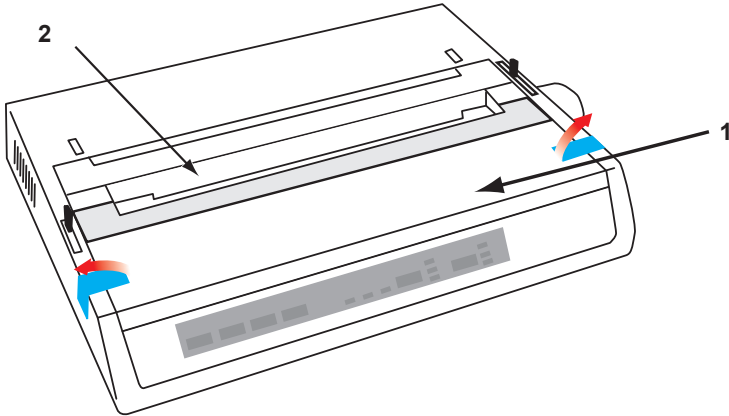


- | | |
|-----------------------|----------------------------------|
| 1. Printer | 6. Installation Safety booklet |
| 2. Ribbon Cartridge | 7. Pan European limited Warranty |
| 3. Power Cord(s) - AC | 8. Printer Software CD |
| 4. Platen Knob | 9. Setup Guide |
| 5. Sheet Separator | |

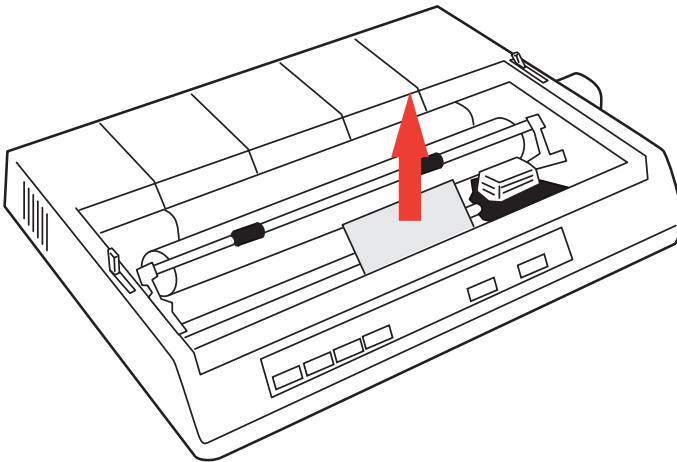
Do not plug the printer into the AC supply until the following steps have been completed:

REMOVING THE SHIPPING RESTRAINT

1. Remove any packing tape. Insert your hand in the top cover slot (2) and remove the **access cover** (1) by lifting it.



2. Remove the **printhead shipping restraint**. Keep shipping restraint for future use.



3. Reinstall the **access cover**.

INSTALLING/REPLACING THE RIBBON CARTRIDGE

CAUTION!

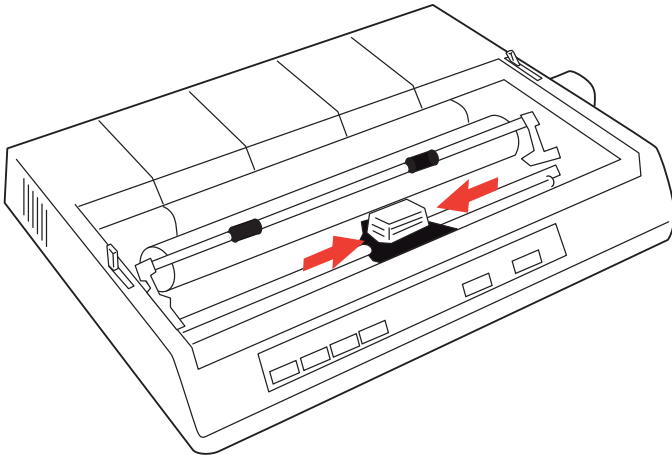
When replacing a Ribbon Cartridge, make sure you have the correct replacement ribbon for your printer. The wrong ribbon will not print when installed in your printer.

RIBBON CARTRIDGE HANDLING

- ❖ Leave unused ribbon cartridges in their packages until needed.
- ❖ Careful; the ribbon ink may cause permanent stains.
- ❖ Ribbon ink on skin or clothing can usually be removed with soap and water.

Make sure the printer is turned OFF.

1. Open the access cover and center the printhead (1).

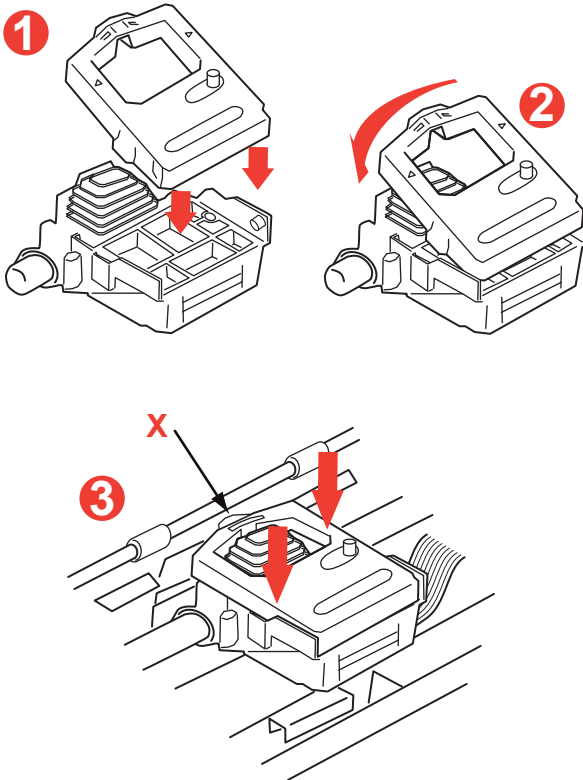


2. When replacing a Ribbon Cartridge, first remove the old one.

WARNING!

If you are replacing the ribbon Cartridge, the printhead may be HOT!

3. Unpack the ribbon cartridge and install it on the printhead.

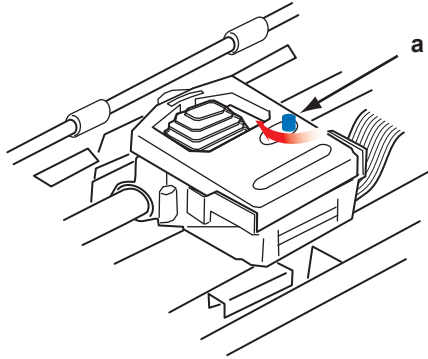


4. Press gently on the ribbon cartridge until you feel it click into place.

CAUTION!

Do not remove the ribbon shield ("X" in graphic above) from the ribbon!

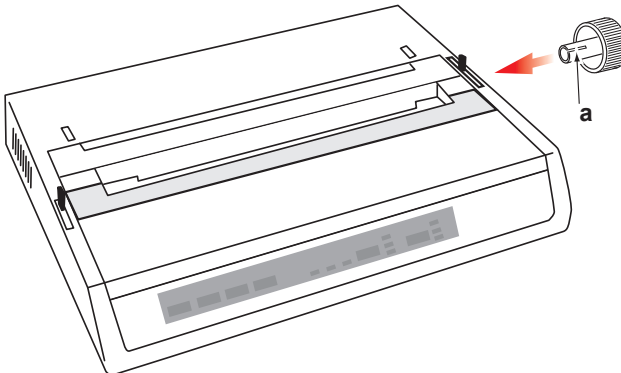
5. Turn the take-up knob (a) in the direction of the moulded arrow to take up any ribbon slack.



6. Replace the access cover.

INSTALLING THE PLATEN KNOB

If the Platen Knob is not already fitted, align the key way (a) correctly and push it firmly into place.



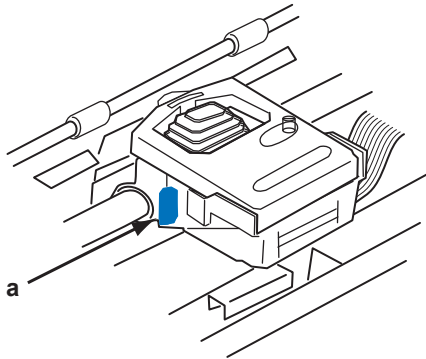
ADJUSTING THE HEAD GAP

The head gap is the distance between the print head and the platen roller. When you use envelopes or multi-part forms you will need to have a larger gap than when using plain paper. Use the recommended head gap to ensure the best print quality and easy paper feed.

CAUTION!

Incorrect setting of the print head gap can cause print head damage or ribbon jams. To avoid these problems set the print head gap for the type of stationery being used.

To adjust the print head gap, move the coloured lever located to the left of the ribbon cartridge (a), to the correct position for the type of stationery being used.....



.....as detailed in the following table:

PAPER TYPE	WEIGHT	LEVER POSITION
Single part paper	14 - 20lb (52 - 75gm)	1, 2
Form		
Two part	9 - 11 lb. (35 - 40 gm) with a	2 - 3
Three part	maximum thickness of	3
Four part	0.28mm	3

FITTING THE PAPER SEPARATOR

The Paper Separator is utilised when using single sheets (no carbons) and when using continuous stationery to separate the ingoing/outgoing paper to prevent paper jams. It is fitted as follows:

- 1.** Grasp the paper separator by either side, with the spring loaded stays to the rear of the printer.
- 2.** Locate the two hooked lugs on the edges of the paper separator into the two corresponding slots in the top of the printer.
- 3.** Release paper separator on to the top of the printer.

SETTING UP YOUR PRINTER

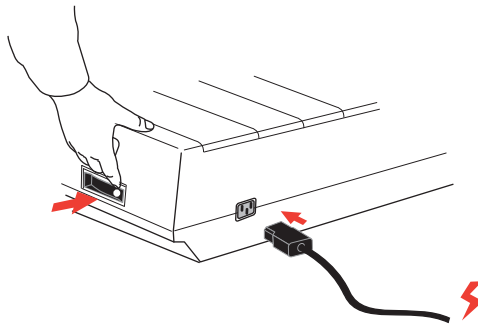
POWER CONNECTION

WARNING!

Operations of this equipment are not warranted when the equipment is connected to UPS (Uninterruptible Power Supply) and/or inverter. Doing so may result in damage of this equipment. Do not use an UPS and/or inverter.

Make sure both the printer and the computer are switched OFF.

1. Plug the power cord into the back of the printer, then into a grounded AC outlet.



2. Switch the Printer ON.

LOADING PAPER

Three types of paper can be used with your printer:

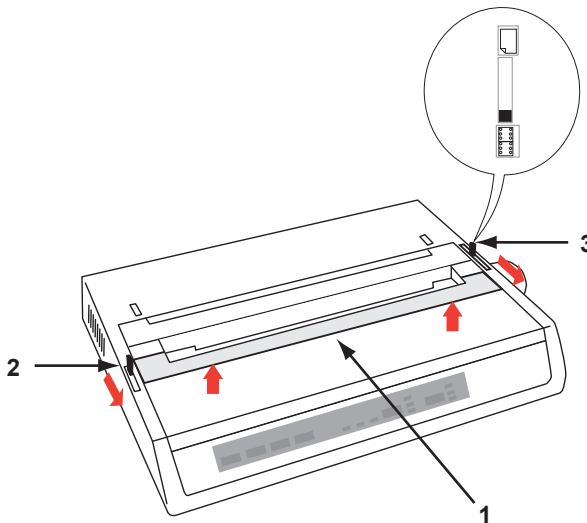
- ❖ Single sheet (with or without the optional cut sheet feeder)
- ❖ Roll paper (use the correct rollpaper stand)
- ❖ Fan-fold paper (with or without the optional tractor feed unit)

When using fan-fold paper, adjust the distance between the sprocket pins at the ends of the platen to the holes in the paper. Fan-fold paper can be fed from the rear of the printer, or, if a slotted stand is available, from underneath.

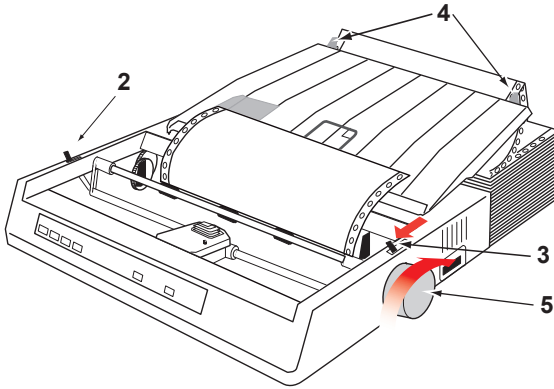
REAR FEED CONTINUOUS FORM FAN-FOLD PAPER

Ensure that the printer is switched **OFF** and the power supply lead removed.

1. Place a box of fan-fold paper behind the printer.
2. Remove the **Access cover** (1).



3. Move the **Bail arm lever** (2) (on the left-hand side of the printer) to the front of the machine to lift the **Bail bar**.
4. Move the **Paper lever** (3) (on the right-hand side of the printer) to the front of the machine, to the **fan-fold** symbol.
5. Insert the first sheet of paper between the separator paper guides (4).



Push the paper in just enough so that its sprocket holes engage the sprocket pins located on the platen ends.

6. Turn the **Platen knob** (5) to advance the paper until it appears in front of the platen.
7. Move the **Bail arm lever** (2) to the rear of the machine to lower the **Bail bar**.
8. Use the **Platen knob** (5) to advance the paper to the first printing line.
9. Replace the **Access cover** and switch the printer **ON**.

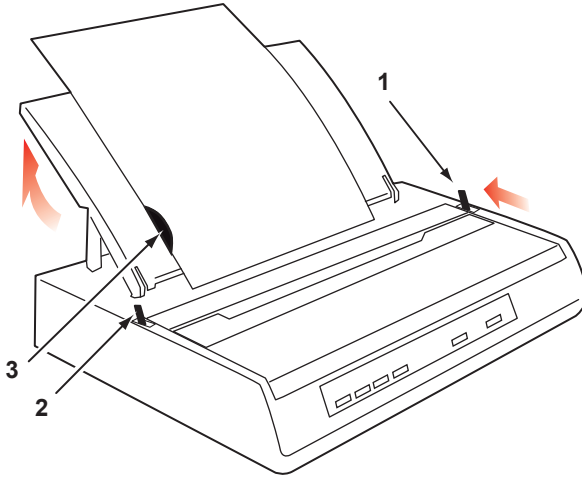
BOTTOM FEED CONTINUOUS FORM FAN-FOLD PAPER

Ensure that the printer is switched **OFF** and the power supply lead removed.

1. Place the printer on a slotted printer stand, carefully aligning the slot in the stand with the slot in the base of the printer.
2. Place a box of fan-fold paper under the printer stand.
3. Remove the **Access cover**.
4. Move the **Bail arm lever** (2) (on the left-hand side of the printer) to the front of the machine to lift the **Bail bar**.
5. Move the **Paper lever** (3) (on the right-hand side of the printer) to the front of the machine, to the **fan-fold** symbol.
6. Insert the first sheet of paper through the opening in the printer stand and the bottom of the printer.
7. Adjust the **Platen sprocket(s)** to align with the sprocket holes in the paper.
8. Use the **Platen knob** to gently pull the paper up until it appears in front of the platen, and above the Bail bar.
9. Move the **Bail arm lever** to the rear of the machine to lower the **Bail bar** (6).
10. Use the **Platen knob** (5) to advance the paper to the first printing line.
11. Replace the **Access cover** and switch the printer **ON**.

TOP FEED SINGLE SHEET PAPER

Your printer can accommodate single sheets of 216mm width x 297 or 355mm length paper. Remove the Tractor Feed **unit** and any other accessories, then raise the **Paper Separator** into its upright position.



1. Switch the printer **ON**.
2. Move the **Paper lever** (1) (on the right-hand side of the printer) to the rear of the machine, to the **Blank sheet of paper** symbol.
3. Ensure that the printer is **OFF-LINE** (press the **SELECT** switch if necessary).
Make sure the **Bail arm lever** (2) is set to the rear of the machine (in its closed position).
4. Raise the paper separator as shown above.

5. Adjust the **Cut Sheet guide** (3) on the **Paper Separator** to position the left edge of the sheet.

NOTE

If letter size paper is used, set the cut sheet guide to the line mark on the paper separator. 80 character width text (10cpi) is then positioned centrally on the paper.

6. Insert a single sheet along the **Cut Sheet guide** until it reaches the pinch roller. Be sure to keep the paper inside the platen ends, otherwise the built-in sprocket rollers will tear it.
7. Move the **Bail arm lever** (2) towards the front of the machine, into the open position. The sheet of paper will be pulled around the platen.
8. Close the **Bail arm lever** (2) ensuring that the paper has been positioned correctly.
9. Press the **SELECT** button to bring the printer **ON-LINE**.
10. The sprockets can be released and moved out from the platen if required.

TESTING YOUR PRINTER

Your printer has a built-in test (self test) to make sure that your printer is set up and working correctly.

1. Firstly, load continuous forms paper into the printer (Please see the "Loading Paper" section of this Guide).
2. Hold down the **LINE FEED** button and turn the printer **ON**.
The printer will begin its test print.
3. To stop the test, press the **SELECT** button or turn the printer **OFF**.

Typical test print:

ML280eco MEI E

F/W XX.XX

46614301YR-XX

LD XX.XX

HSD 10CPI

!"£\$%^&* () 0123456789:;<=>@aBCDEFGHIJKLMNOPQRSTUVWXYZ[\] abcdefghijklm

nopqrstuvwxyz

NOTE

The top of each print test contains information about your printer model. Be sure to have a copy of the printout handy if you have to call for service.

COMPUTER CONNECTIONS

NOTE

❖ The operation of a printer is not assured if a USB compatible device is connected concurrently with other USB compatible machines.

❖ Interface cables are not supplied with your printer.

PARALLEL (LPT) CONNECTION, IEEE 1284

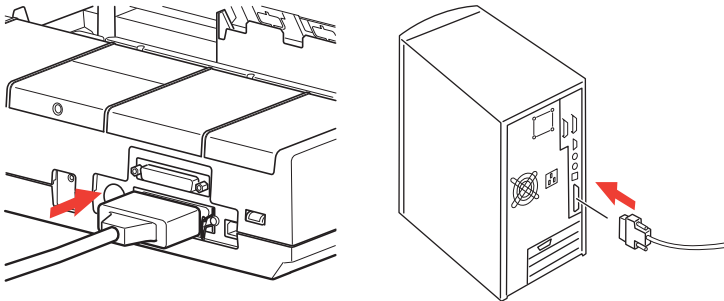
❖ Requires a **bi-directional cable**, max. length 6 ft. (1.8 m), not supplied

❖ The printer has a 36-pin Centronics type socket.

CAUTION!

Make sure the printer and computer are both turned OFF.

1. Switch both the computer and the printer **OFF**.
2. Attach a suitable **bi-directional cable** to the parallel connector on the back of the printer. Then attach and secure the cable to your computer.



3. Turn the printer and computer back **ON**.

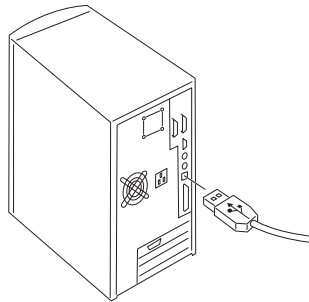
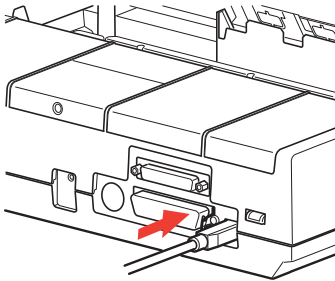
USB CONNECTION

- ❖ Requires a USB 1.1 or higher cable, maximum length 19.7 ft. (5 m), not supplied.
 - ❖ Printer has a USB series "B" receptacle.
-

NOTES

- ❖ *The operation of a printer is not assured if a USB compatible device is connected concurrently with other USB-compatible machines.*
 - ❖ *When connecting multiple printers of the same type, they appear as *****, *****(2), *****(3), etc. These numbers depend on the order of connecting or turning on each printer.*
 - ❖ *USB is a "hot-pluggable" protocol. This means that the printer and computer do not necessarily have to be switched **OFF**.*
-

1. Attach a suitable USB cable to the printer. Then attach the cable to your computer.



2. If you have turned the computer and printer **OFF**, turn them back **ON**.

Follow any on-screen instructions.

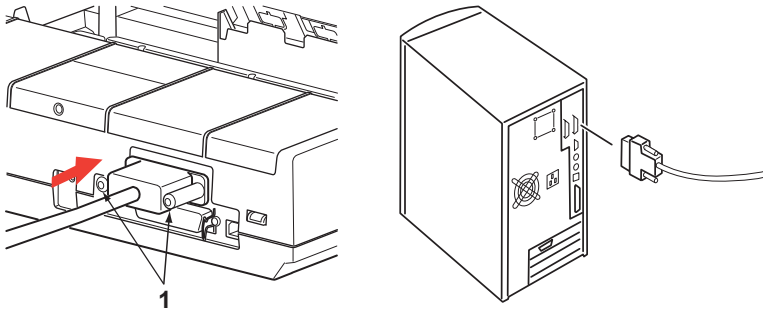
SERIAL CONNECTION

The serial interface settings will appear in the printer menu and may need to be adjusted to match your PC.

CAUTION!

Make sure the printer and computer are both turned OFF.

1. Switch both the computer and the printer **OFF**.
2. Plug the cable into the serial ports of both your PC and printer and tighten the thumbscrews (1).



The cable should comply with the RS232C Serial Interface Specification and have a maximum length of 15 metres (49ft).

3. Turn the printer and computer back **ON**.

PRINTER DRIVERS

Printer drivers enable your computer to communicate with the printer. As with most printer manufacturers, Oki creates printer drivers for use with popular types of software, such as Microsoft Windows operating systems, from Windows Server 2008/Windows 7 onwards. Installing a printer driver is normally a simple process of making a selection within the software. If a driver is not available by name for your printer, contact the software manufacturer and ask if they can supply an updated version of their software with additional drivers. Alternatively, check the driver availability on the OKI Data global Web Site at:

<http://www.oki.com/printing/>

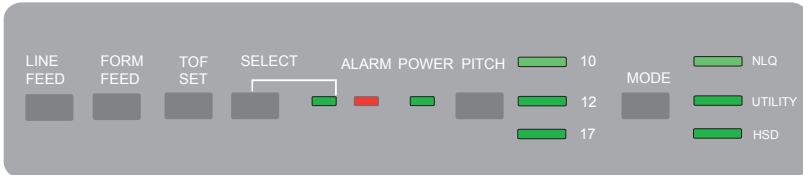
If you are using bespoke software or software created specifically for your company, it is unlikely that the CDs supplied with this software will include drivers for your printer. In this instance you will have to choose a driver as closely compatible as possible. Compatible drivers contain printing codes that will operate your printer. They may not offer the special features of an original driver, but they will allow you to perform normal printing tasks.

Oki's printers contain more than one printer emulation selectable via the menu system. See the table below for compatible drivers. However, please note that the emulations listed toward the bottom of this list are more basic and offer fewer of the printer's features.

MICROLINE EMULATION	IBM EMULATION	EPSON LQ EMULATION
ML280 Microline	ML280 IBM	ML280 Epson
	IBM Graphics Printer	Epson FX80
		Epson FX

OPERATING YOUR PRINTER

FRONT PANEL OPERATION



The Front Panel has 9 indicators and 6 buttons. The function of each is as follows:

Indicators

- SELECT** Lit - Printer ON-LINE, **unlit** printer OFF-LINE. **Flashes** with **ALARM** on to indicate a fault has been detected.
- ALARM** ...❖ If lit permanently and **SELECT** is **not** lit - it is indicating paper out or paper jam if a Cut Sheet Feeder is in use.
- ...❖ If lit permanently and **SELECT** is **flashing** - it is indicating that auto diagnostics have detected an error.
- ...❖ If **flashing** and **SELECT** is lit - it is indicating either printhead temperature protection circuit, firmware protection of line feed or space motor is operating. In any case, normal print operation will resume after a cooling period.
- POWER** Indicates that the printer is connected to the supply and is switched **ON**.
- PITCH** Indicates the current character pitch selected.
- MODE** Indicates the current print mode selected - NLQ, Utility, HSD (HSD is SSD if 12cpi is selected).

Buttons

- LINE FEED** Advances the paper one line for each press.
- FORM FEED** Advances the paper to the next top of form (TOF) or ejects any single sheet paper from the printer.
- TOF SET** Sets new top of form (TOF) position.
- SELECT** Places printer **ON** or **OFF** line.
- PITCH** Changes the character pitch setting (cpi).
- MODE** Changes the print style setting.

Additional button functions if pressed at Power ON

LINE FEED	Initiates the printer self test.
SELECT and LINE FEED	Initiates the printer's continuous rolling ASCII test.
SELECT and FORM FEED	Places the printer into a Hex dump mode, printing all data and control commands received as HEX codes for fault finding.
SELECT	Enters the printer's Menu Mode.
TOF SET	Selects the print pitch as 17dpi.

SETTING PRINTER DEFAULTS

The printer has an internal **MENU** containing a number of default conditions that can be set to enable your printer to match the parameters required by your computer.

ENTERING THE MENU MODE

1. Power on the printer while holding down the **SELECT** button. The **12** and **UTILITY** LEDs will flash.
2. Press the **SELECT** button to print the complete menu. This will detail the current default settings.
3. Press the **LINE FEED** button to select the relevant group that needs to be changed (the group is the left-hand column on the MENU printout).
4. Press the **FORM FEED** button to select the relevant item within the selected group (the Item is the centre column on the MENU printout).
5. Press the **TOF SET** button to cycle through the settings available for the item you want to change (the settings are the right-hand column on the MENU printout).
6. Once you have reached the setting that you want, press either the **LINE FEED** button (for the next group) or the **FORM FEED** button (for the next item) to be changed.

Follow steps to 3 to 5 until all your required settings have been changed.

7. On completion of the changes, press the **PITCH** and **MODE** buttons together to exit and save all the changes you have made.

NOTE

Important, do not exit the menu mode by switching off the printer, as this will not save any changes you have made.

DEFAULT MENU SELECTIONS

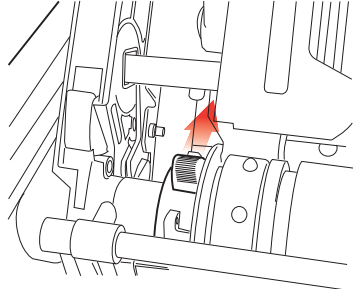
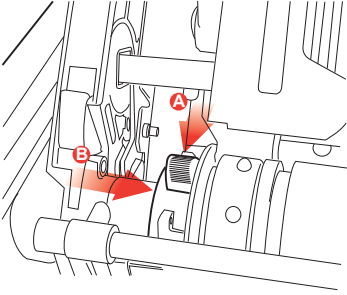
GROUP	ITEM	SETTING
Printer Control	Emulation Mode	IBM
Font	Print Mode	Utility
	Draft Mode	SSD
	Pitch	10 CPI
	Proportional Spacing	No
	Style	Normal
	Size	Single
Symbol Sets	Character Set	Set II
	Language Set	ASCII
	Zero Character	Unslashed
	Code Page	USA
	Slashed Letter O	No
Vertical Control	Line Spacing	6 LPI
	Skip Over Perforation	No
	Page Length	12"
Set-up	Graphics	Uni-directional
	Receive Buffer Size	64K
	Paper Out Override	No
	Print Registration	0
	Operator Panel Function	Semi Operation
	Reset Inhibit	No
	Printer Suppress Effective	Yes
	Auto LF	No
	Auto CR	Yes
	SI Select Pitch (10 CPI)	17.1 CPI
	SI Select Pitch (12 CPI)	20 CPI
	Time Out Print	Invalid
	Auto Select	No
	ESC/SI Pitch	17.1 CPI
	Impact Mode	Normal
	Power Saving	Enable
	Power Save Time	5 min
Parallel I/F	I - Prime	Buffer Print
	Bi - Direction	Enable
Serial I/F	Parity	None
	Serial Data 7/8 Bits	8 Bits
	Protocol	Ready/Busy
	Diagnostic Test	No
	Busy Line	SSD-
	Baud Rate	9600 BPS
	DSR Signal	Valid
	DTR Signal	Ready on Power UP
	Busy Time	200 ms

Only appears
for printers
equipped with
Serial
Interface.

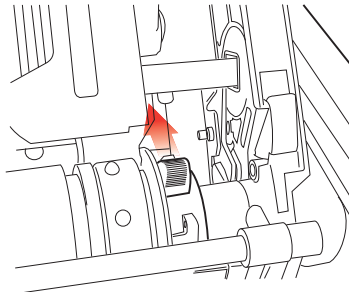
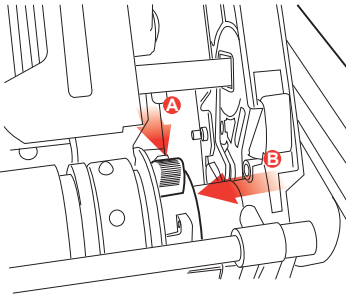
USING THE PULL TRACTOR UNIT (IF FITTED)

Paper can be loaded either from the rear of the printer or from the bottom if you have a slotted printer stand.

1. Remove the access cover.

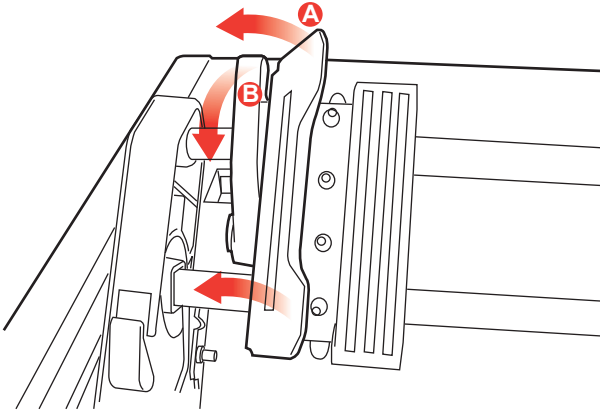


2. Adjust the left tractor if necessary, making sure that it is not more than 12.7mm (0.5 inch) from the left-hand end of the tractor unit. To move the tractor, pull the lock lever forward, slide the tractor to the desired position, then push the lock lever backward to lock it in place.



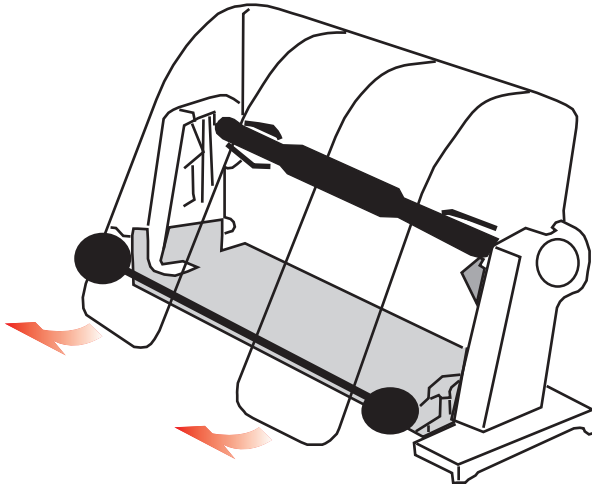
3. Adjust the right tractor to the paper width by pulling its lock lever forward, sliding the tractor to the desired position, then pushing the lock lever backward to lock it in place.

4. Pull the paper under the Bail bar and up to the level of the tractor unit.
5. Open the sprocket covers and slide the paper release lever forward.



6. Locate the sprocket holes in the paper over the sprockets on the tractor unit and close both sprocket covers (leave the paper release lever open).
7. Replace the access cover.

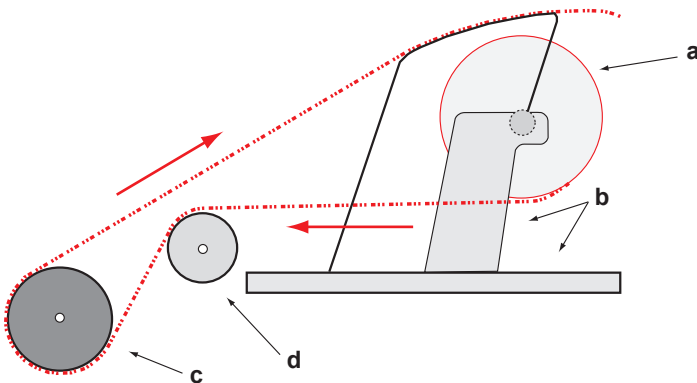
USING THE ROLL PAPER STAND (IF FITTED)



LOADING THE PAPER

1. Open the paper separator all the way.
2. Remove the paper roller.
Note that there is a disk on the left end of the roller.
3. Slide the roller into a tube of paper.
Ensure the disk is on the left side and paper must roll up from the bottom.
4. Replace the paper roller back into the stand, with the disc on the left side.
5. Feed the paper over the roller on the stand. **NOT UNDER!**
6. Adjust the round paper guides at either side to the paper width.
7. Feed the paper down behind the platen and use platen knob to bring paper through the printer.
Lift the bail arm as paper comes round to front of platen. (The paper release lever needs to be in the top position to perform this step).

8. Continue to feed the paper through for approx. 4 inches.
9. Move the paper release lever toward the front of the machine. Align the paper so that the exit and entry paper edges align. Return the paper release lever to the rear position to re-apply pressure on platen.
10. Close the bail arm.
11. Replace the access cover. Fit the cover tabs into the slots at the printer front. Lower the cover carefully, making sure the paper fits through the front slot in the access cover.
12. Lower the paper separator so that paper enters the printer from under the separator and exits the printer going over the separator (see below).
13. Turn the platen knob to move the paper to the point where you want printing to start. (Many word processing packages automatically allow for a top margin of 25.4mm (1 inch)).



Correct paper path

- | | | | |
|---|------------|---|------------------|
| a | Paper roll | b | Roll Paper Stand |
| c | Platen | d | Paper Guide |

MAINTENANCE

REPLACING THE RIBBON CARTRIDGE

See ["Installing/Replacing the Ribbon Cartridge"](#) on page 11.

ADJUSTING THE PRINTHEAD GAP

See ["Adjusting the Head Gap"](#) on page 14.

LOADING PAPER

See ["Loading Paper"](#) on page 17.

TESTING YOUR PRINTER

See ["Testing your printer"](#) on page 21.

TROUBLESHOOTING

GENERAL INFORMATION

Here are some general things to check before proceeding with detailed troubleshooting.

- > Is the printer plugged in and turned ON?
- > Are the connections (power and interface) secure?
- > Is the product being operated under the proper ambient conditions?
- > Does the paper being used meet the specifications for this product?
- > Is the paper properly installed?
- > Is the ribbon properly installed?
- > Is an Oki ribbon being used?
- > Is the printhead gap correctly set?
- > Are the correct printer drivers being used for the printer?

NOTE

- ...✦ *Settings in your software application will normally override any settings in your printer driver.*
- ...✦ *Printer driver settings normally override settings from the printer menu or printer front panel.*

Problem

My word processor files do not print the way I have the menu and front panel set.

Solution

Remember: The note above!

Before sending a file to the printer, many word processors send either an "initialization string" or an **I-Prime** signal to the printer.

The initialization string contains codes that override the panel and menu settings. To change your printer to ignore the reset code, enter the **Menu Mode**, go to the **Set-Up** group and change the setting for **Reset Inhibit** to **Yes**.

The I-Prime signal will automatically override any front panel settings you have made. To eliminate this problem, enter the **Menu Mode**, go to the **Parallel Interface** group and change the setting for **I-Prime** to **Invalid**.

For more information on changing menu settings, see "Changing the Menu Settings" in Chapter 3.

Problem

Nothing happens when I turn ON the printer.

Solution

Check the power cord connection to the outlet and to the printer. If you are using a power strip, make sure it is turned ON, and that the fuse hasn't blown or that the circuit breaker hasn't tripped. If the solution is not obvious — call for service.

Problem

The printer does not print when the computer sends data.

Solutions

1. Is the **SEL** light on? If not, press the **SEL** key.
2. Check that the interface cable is securely connected to both the printer and the computer.

Problem

I'm getting strange symbols, incorrect fonts, etc., when I try to print a document.

Solutions

1. Check to be sure that the printer driver you have selected in your software matches the printer emulation.
2. Please refer to the **Printer Driver** section for details of emulations, then check the menu settings (see "Setting Printer Defaults" in the **Operating your Printer** section).

3. If you have embedded any printer commands in your software, check to be sure that you entered them correctly.

Problem

Ink smears on the paper when I print narrow columns.

Solutions

The head gap could be too close. Check that the head gap is set correctly (see the table in "Adjusting the head gap" in the **Getting Started** section).

Problem

I've installed a new ribbon and the printing is smeared and streaked.

Solution

The ribbon shield (1) is either loose or missing.



Remove the ribbon cartridge and check the ribbon shield.

If it is loose, secure it. If it is missing, find it and install it. If you cannot find it, replace the ribbon cartridge.

Tip: If you still have an old ribbon cartridge, remove the shield from it and install it on the ribbon cartridge on your printer.

Problem

There are dots missing in my printouts (typically, tops and /or bottom of characters missing).

Solution

The head gap may not be set correctly. Try moving the headgap lever to a lower setting. If that doesn't help, the printhead may be damaged; call for service.

Problem

*The **ALARM** light is flashing.*

Solution

Try turning the printer **OFF** and then back **ON** again. If the light still blinks, call for service.

Problem

*The **Print Quality** and **Character Pitch** keys on the front panel don't work.*

Solution

The Operator Panel Function in the printer menu can be used to disable these buttons (Limited Function). If the printer is part of a customized system or if it is used by a number of people, the system manager may have used this option to make sure the printer is always set properly.

Check with your system manager before changing any menu settings.

Problem

My printer keeps indicating "Paper out" when there is paper installed.

Solution

The most likely cause is that the paper sensor groove in the platen is not being covered by paper. Re-align paper to cover the sensor groove.

Problem

When I am using continuous feed paper, the sprocket holes are torn, causing alignment problems.

Solution

The most likely cause is that the paper lever is set to friction feed. Move the lever to "Fan-fold" (to the front of the printer).

CLEARING PAPER JAMS

REAR FEED JAMS

1. Turn the printer **OFF**.
2. Use the platen knob to back the paper all the way out of the printer.

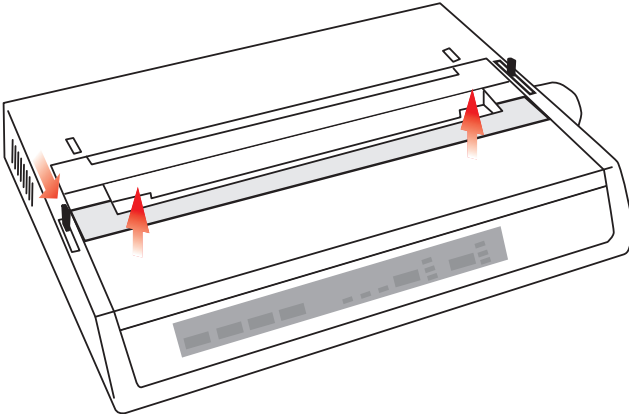
CAUTION!

Make sure the printer is turned **OFF** before you open the access cover.

WARNING!

The printhead may be **HOT!**

3. Open the **access cover**, move the **bail arm lever** toward the front of the printer and remove any torn paper.



4. Reload the paper (see section on "Maintenance"), move the bail arm lever towards the rear of the printer and close the access cover.
5. Turn the printer **ON**.

REAR FEED, REPEATING PAPER JAMS

If the paper keeps jamming, you may have:

- > defective paper
- > misaligned paper
- > bits of paper in the paper path

Defective Paper

Replace the defective paper with a fresh stack.

Misaligned Paper

1. Turn the printer **OFF**.
2. Use the platen knob to back the paper all the way out of the printer.
3. Tear off a couple of sheets of paper, leaving a new, clean, square-cut edge.
4. Reload the paper and turn the printer back **ON**.

Bits of paper in the paper path

Depending on which paper feed method you are using, remove any accessories, open the access cover and remove any debris from the paper path.

WARNING!

- ❖ Always ensure that the printer is switched OFF and that the power supply lead is disconnected.
- ❖ If the printer has been recently used, the printhead may be **HOT!**

SINGLE SHEET PAPER JAMS

1. Turn off the printer.
2. Use the platen knob to back the paper out.
3. Open the access cover.
4. Remove any torn pieces from around the carriage.
5. Close the access cover.

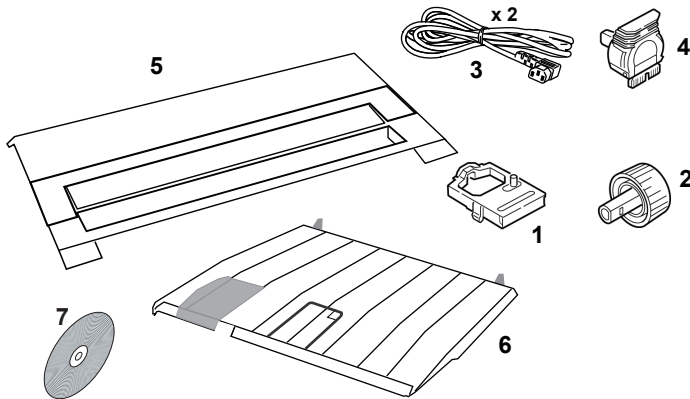
PARTS AND ACCESSORIES

PURCHASING PARTS & ACCESSORIES

Before you purchase parts and accessories, make a note of your printer model name (see the front of the unit) and have the correct part number and description of the item you wish to purchase. Item descriptions and part numbers are provided in this section.

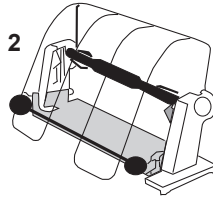
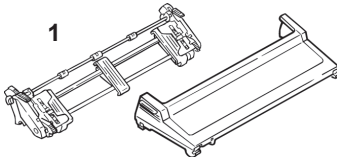
- ❖ Consult the dealer where you purchased your printer.
- ❖ Locate an Authorised Oki Data Reseller by visiting your local Oki web site. Links to all countries are provided on:

<http://www.oki.com/printing/>



ITEM	PART NUMBER	COMMENT
Ribbon Cartridge (1)	09002303	Life - 3 million characters
Platen Knob (2)	40673402	
Power Cord AC (3) - Euro	YS4011-1272P001	
UK	YS4011-1273P001	
Software CD (7)	44500105 (for Europe) 44781607 (for Oceania)	
Printhead (4)	42666401	Life - 200 million characters
Access Cover (5)	42594601	
Sheet Guide (6)	42017901	

OPTIONS



OPTION	PART NUMBER
Pull Tractor Assembly (1)	09002363
Roll Paper Stand (2)	40108610

All Accessories are supplied complete with an Installation Guide.

SPECIFICATIONS

ITEM	SPECIFICATION
Print Method	Impact dot matrix
Printhead	9 pins, 0.34 mm (0.0134") diameter, with thermal protection
Emulations (co-resident)	Epson FX IBM Graphics Oki MICROLINE
Print Speed	
High Speed Draft (HSD)	333cps*
Utility (UTL)	250cps*
Near Letter Quality (NLQ)	62.5cps*
	* cps = characters per second

Paper Specifications

Type	Feed	Weight	Width (range)
Cut Sheets	Top only	16 to 21lb. (60 to 81g/m ²)	
Single part Continuous	Rear/Bottom	14 to 20lb. (53 to 75g/m ²)	3 to 9.5 inches
Multi Part Continuous	Rear/Bottom	14 to 20lb. (53 to 75g/m ²)	3 to 9.5 inches
Maximum thickness		0.28mm (0.11 inches)	
Maximum number of sheets		4 (original plus 3 copies) carbonless	

Reliability

Ribbon Life (black)	3 million characters, on average
Printhead Life	200 million characters average in 10cpi utility mode
Mean Time Between Failures (MTBF)	20,000 hours at 25% duty cycle and 35% page density
Mean Time to Repair (MTTR)	15 minutes

General Printer Characteristics

Dimensions	Height: 80mm (height) x 360mm (width) x 275mm (depth)
Weight	3.9Kg
Buffer size	128Kb
Noise level	58dBA (Utility-MODE)
Power requirements	220-240VAC (±10%) @50/60Hz (±2%)

ITEM	SPECIFICATION
Temperature	
Operating	5 to 35°C
Storage	-40 to +70°C
Humidity	
Operating	20 to 80% RH
Storage	5 to 95% RH

Interfaces:

Standard: Centronics parallel, IEEE-1284 compliant
 USB 2.0 (Full Speed)
 RS-232C Serial

INDEX

A

- Access cover 17, 19
- Additional button functions if
pressed at Power ON 28
- ALARM 27
- Auto CR 30
- Auto LF 30
- Auto Select 30

B

- Bail arm lever 18, 19
- Baud Rate 30
- Bi - Direction 30
- Blank sheet of paper symbol 20
- Bottom feed continuous form fan-
fold paper 19
- Busy Line 30
- Busy Time 30

C

- Centering printhead position 38
- Character Set 30
- Clearing Paper Jams 40
- Code Page 30
- Computer Connections 23

D

- Diagnostic Test 30
- DSR Signal 30
- DTR Signal 30

E

- Emulation Mode 30
- ESC/SI Pitch 30

F

- Fanfold 18, 19
- Fitting the Paper Separator 15
- Fonts
 - Embedded Printer
 - Commands 38
- FORM FEED 27

- Front Panel 27

G

- Graphics 30

H

- Humidity 46

I

- Impact Mode 30
- Initialization string 36
- Installing the Ribbon
 - Cartridge 11
 - I-Prime 30, 36

L

- Language Set 30
- Limited Operation 39
- LINE FEED 27, 28
- Line Spacing 30
- Loading Paper 17

M

- Mean Time Between Failures
(MTBF) 45
- Mean Time to Repair (MTTR) 45
- MODE 27

O

- Operator Panel 30
- Operator Panel Function 39

P

- Page Length 30
- Paper lever 18, 19, 20
- Paper out Override 30
- Paper Separator 20, 21
- Paper Specifications 45
- Parallel (LPT) Connection 23
- Parallel Interface
 - I-PRIME Signal 36
- Parity 30

PITCH	27	SELECT and FORM FEED	28
POWER	27	SELECT and LINE FEED	28
Power Connection	16, 23	Serial Cable Connection	25
Power Save Time	30	Serial Data 7/8 Bits	30
Power Saving	30	Setting Printer Defaults	29
Print Method	45	SI Select Pitch (12 CPI)	30
Print Registration	30	Skip Over Perforation	30
Print Speed	45	Software	
Printer Drivers	30	Embedded commands	38
Printer Suppress Effective	30	Software vs. printer settings ...	36
Printhead	45		
Protocol	30		
R			
Rear feed continuous form fan-fold paper	17		
Receive Buffer Size	30		
Removing the shipping restraint	10		
Reset Inhibit	30		
Ribbon Shield	13, 38		
RS-232C Serial Interface	46		
S			
SI Select Pitch (10 CPI)	30		
SELECT	27		
T			
Time Out Print	30		
TOF SET	27, 28		
Top feed single sheet paper	20		
Tractor Feed unit	20		
U			
Unpacking	9		
USB Connection	24		
Using the pull Tractor Unit	31		
Using the Roll Paper Stand	33		
Z			
Zero Character	30		

OKI CONTACT DETAILS

OKI Systems (UK) Ltd.

Blays House
Wick Road
Egham
Surrey
TW20 0HJ

Tel: +44 (0) 1784 274300
Website: www.oki.com/uk

OKI Systems (Ireland) Ltd

A7 Calmount Park
Ballymount
Dublin 12
D12 TX94
Ireland

Tel: +353 (0) 1 4049590
Fax: +353 (0)1 4049591
Website: www.oki.com/ie

OKI Systems (Czech and Slovak), s.r.o.

Futurama Business Park -
Sokolovská 651/136D
186 00 Praha 8
Czech Republic

Tel: +420 224 890158
Fax: +420 22 232 6621
Website: www.oki.cz, www.oki.sk

Oki Systems (Deutschland) GmbH

Hansaallee 187
40549 Düsseldorf

Tel: +49 (0) 211 / 5266-0
Fax: +49 (0) 211 59 33 45
Website: www.oki.de
Email: info@oki.de

CEE Export Group:

OKI Systems (Poland) Sp. z o.o.

Platinum Business Park 2, 3rd Floor
ul. Domaniewska 42, 02-672 Warsaw
Poland

Tel: +48 (0) 22 448 65 00
Fax: +48 (0) 22 448 65 0
Website: www.oki.pl

Albania, Bosnia, Bulgaria, Croatia,
Cyprus, Estonia, Greece, Israel,
Latvia, Lithuania, Macedonia,
Romania, Serbia, Slovenia

Oki Systèmes (France) S.A.

Zone Silic - Immeuble Osaka
21 rue du Jura
CS 90277
94633 RUNGIS Cedex
Paris

Tél: Standard 0820 200 410
(0.09€/min depuis une ligne fixe*)
Hotline 01 76 54 21 50 (n° non surtaxé)
Website: www.oki.fr

OKI Systems (Magyarország) Kft.

H-1133 Budapest,
Váci út 76
Hungary

Telefon: +36 1 814 8000
Telefax: +36 1 814 8009
Website: www.okihu.hu

OKI Systems (Italia) S.p.A.

via Milano, 11,
20084 Lacchiarella (MI)

Tel: +39 (0) 2 900261
Fax: +39 (0) 2 70059826
Website: www.oki.it

OKI Systems (Polska) Sp. z o.o

Platinum Business Park II, 3rd Floor
ul. Domaniewska 42
02-672 Warsaw
Poland

Tel: +48 22 448 65 00
Fax: +48 22 448 65 01
Website: www.oki.pl
E-mail: oki@oki.com.pl
Hotline: 0800 120066
E-mail: tech@oki.com.pl

OKI Europe Limited, Sucursal em Portugal

Av. Quinta Grande, n° 53
7° D - Alfragide
2610-156 Amadora
Portugal

Tel: +351 21 470 4200
Fax: +351 21 470 4201
Website: www.oki.com/pt
E-mail: oki-portugal@okieurope.com

Oki Service
Serviço de Apoio Técnico ao
Cliente

Tel: 214 727 660
E-mail: portugal@okiservice.com

Oki Systems Rus, LLC (Russia)
Sector B, 3rd Floor, Svyatogor-4
Business Center10/4, Letnikovskaya
str.115114, Moscow

Tel: +7 495 258 6065
Fax: +7 495 258 6070
e-mail: info@oki.ru
Website: www.oki.ru

Technical support:
Tel: +7 495 564 8421
e-mail: tech@oki.ru

Oki Systems (Österreich)
Campus 21
Businesszentrum Wien Sued
Liebermannstrasse A02 603
22345 Brun am Gebirge

Tel: +43 223 6677 110
Service-Hotline:
+43 (0) 2236/677 110-501
Website: www.oki.at

Oki Europe Ltd. (Ukraine)
Raisy Opkinoy Street,8
Building B, 2nd Floor,
Kiev 02002
Ukraine

Tel: +380 44 537 5288
e-mail: event@oki.ua
Website: www.oki.ua

Oki Sistem ve Yazıcı Çözümleri Tic. Ltd. Şti.
Harman sok Duran Is Merkezi,
No:4, Kat:6,
34394, Levent
İstanbul

Tel: +90 212 279 2393
Faks: +90 212 279 2366
Web: www.oki.com.tr

Oki Systems (Belgium)
Medialaan 24
1800 Vilvoorde

Helpdesk: 02-2574620
Fax: 02 2531848
Website: www.oki.be

Oki Systems (Denmark) a-s
Herstedoestervej 27
2620 Albertslund
Danmark

Adm.: +45 43 666 500
Fax: +45 43 666 590
E-mail: salg@oki.dk
Website: www.oki.dk

Oki Europe Limited, Sucursal en España
Complejo Vega Norte. C/ Anabel Segura, 16.
Edif. 3 – 4º Plta.
28.108, Alcobendas
Madrid

Tel: +34 91 343 16 20
Website: www.oki.com/es

Soporte Técnico:
Tel: (+34) 91 217 15 63
Email: espana@okiservice.com

Oki Middle East, India and Sub Sahara
Africa

Building 7W A
Office 2008,
Dubai Airport Free Zone
PO Box 54604
Dubai, UAE

Tel: +971 4 204 5810
Website: www.oki.com/me

Oki Systems (Finland) Oy
Vänrikinkuja 3
02600 Espoo
Finland

Tel: +358 207 900 800
Fax: +358 207 900 809
Website: www.oki.fi

Oki Systems (Holland) b.v.
Neptunstraat 27-29
2132 JA Hoofddorp

Helpdesk: 0800 5667654
Tel: +31 (0) 23 55 63 740
Fax: +31 (0) 23 55 63 750
Website: www.oki.nl

Oki Systems (Norway) AS
Tevlingveien 23
1081 Oslo

Tel: +47 63 89 36 00
Telefax: +47 63 89 36 01
Website: www.oki.no

Oki Systems (Sweden) AB

Box 1193
164 26 KISTA
Stockholm
Sverige

Tel: +46 (0) 8 634 37 00
Fax: +46 (0) 8 634 37 01
Website: www.oki.se

Oki Systems (Schweiz)

Baslerstrasse 15
CH-4310 Rheinfelden

Support deutsch +41 61 827 94 81
Support français +41 61 827 94 82
Support italiano +41 61 827 94 73

Tel: +41 61 827 94 94
Email: info@oki.ch
Website: www.oki.ch

Oki Data Americas Inc.(United States • États-Unis)

2000 Bishops Gate Blvd.
Mt. Laurel, NJ 08054
USA

Tel: 1-800-654-3282
Fax: 1-856-222-5247
<http://WWW.OKIPRINTINGSOLUTIONS.COM>
<http://my.okidata.com>

8505 Freeport Pkwy
Suite 100
Irving, TX 75063

<http://www.okidata.com>

2067 Wineridge Place
Suite C & D
Escondido, CA 92029

Phone: 760-781-5200
Toll Free: 800-264-1272
<http://www.okidata.com/wide-format>

Oki Data Americas Inc.(Canada • Canadá)

4140B Sladeview Crescent Unit 7 & 8
Mississauga, Ontario
Canada L5L 6A1

Tél: 1-905-608-5000
Télééc: 1-905-608-5040
<http://WWW.OKIPRINTINGSOLUTIONS.COM>

Oki Data Americas Inc.(América Latina (OTRO))

2000 Bishops Gate Blvd.
Mt. Laurel, NJ 08054
USA

Tel (Español): 1-856-222-7496
1-856-222-5276

Fax: 1-856-222-5260
Email: LASatisfaction@okidata.com

Oki Data de Mexico, S.A. de C.V.

Mariano Escobedo #748, Piso 8
Col. Nueva Azules
C.P. 11590, México, D.F.

Tel: 52-555-263-8780
Fax: 52-555-250-3501
<http://WWW.OKIPRINTINGSOLUTIONS.COM>

Oki Data do Brasil Informática Ltda.

Av. Alfredo Egídio de Souza Aranha,
100 - 5º Andar - Bloco C
Chácara Santo Antonio - São Paulo,
SP - Brasil
CEP: 04726-170

Tel: 55-11-3543-5500
Fax: 55-11-3444-3501
email: okidata@okidata.com.br
[HTTP://www.okiprintingsolutions.com](http://www.okiprintingsolutions.com)

Argentina/Chile/Paraguay/Perú/Uruguay**Oki Data Americas, Inc.**

Sucursal Argentina
Ugarte 3610 Piso 4°(1605) Olivos
Buenos Aires, Argentina

TEL: +54 11 5288 7500
Fax: +54 11 5288 7599

Colombia/Ecuador/Venezuela/**Centroamérica y Caribe****Oki Data Americas, Inc.**

Sucursal Colombia
Carrera 13 #97-51, Oficina 101
Bogotá Colombia

TEL: +57 1 704 5159

Oki Data (Singapore) Pte. Ltd.

438A Alexandra Road #02-11/12,
Lobby 3, Alexandra Technopark
Singapore (119967)

Tel: (65) 6221 3722
Fax: (65) 6594 0609
<http://www.oki.com/sg/printing>

Oki Systems (Thailand) Ltd.

1168/32 Lumpini Tower,
16th Floor, Rama IV Road,
Tungmahamek, Sathorn
Bangkok 10120

Tel: (662) 679 9235

Fax: (662) 679 9243/245

<http://www.oki.com/th/printing>

Oki Data(Australia) Pty Ltd.

Level1 67 Epping Road, Macquarie Park
NSW 2113, Australia

Tel: +61 2 8071 0000

(Support Tel: 1800 807 472)

Fax: +61 2 8071 0010

<http://www.oki.com.au>

OKI Data New Zealand

8 Antares Place Rosedale,
Auckland, 0632 New Zealand

Tel: (64) 9 477 0500

(Customer Support: 0800 778 800)

Fax: (64) 9 477 0549

<http://www.oki.co.nz>

Oki Data(S) P Ltd. Malaysia Rep Office

Suite 21.03, 21st Floor Menara IGB,
Mid Valley City,
Lingkaran Syed Pura 59200,
Kuala Lumpur, Malaysia

Tel: (60) 3 2287 1177

Fax: (60) 3 2287 1166

Oki Data Corporation
4-11-22 Shibaura, Minato-ku, Tokyo
108-8551, Japan