

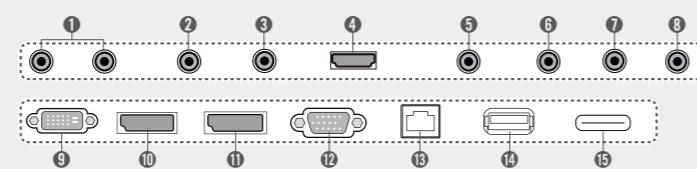
Specifications

LS75C Series	55LS75C-B	49LS75C-B	42LS75C-B
Screen Size	54.64 inches (1387.80mm) diagonal	48.50 inches (1232.00mm) diagonal	41.92 inches (1064.67mm) diagonal
Panel Technology	IPS	IPS	IPS
Aspect Ratio	16:9	16:9	16:9
Native Resolution	1,920 x 1,080 (FHD)	1,920 x 1,080 (FHD)	1,920 x 1,080 (FHD)
Brightness	700cd/m ²	700cd/m ²	700cd/m ²
Contrast Ratio	1,300:1	1,300:1	1,300:1
Viewing Angle (H x V)	178 x 178	178 x 178	178 x 178
Response Time	1ms (G to G), 8ms (MPRT)	8ms (G to G BW) typ.	8ms (G to G BW) typ.
Surface Treatment	Hard coating (3H), Anti-glare treatment of the front polarizer (Haze 10%)	Hard coating (3H), Anti-glare treatment of the front polarizer (Haze 10%)	Hard coating (3H), Anti-glare treatment of the front polarizer (Haze 10%)
Life time (Typ.)	50,000 Hrs min.	50,000 Hrs min.	50,000 Hrs min.
Operation Hours	24 Hrs / 7 Days	24 Hrs / 7 Days	24 Hrs / 7 Days
Orientation	Portrait & Landscape	Portrait & Landscape	Portrait & Landscape
Input	HDMI (2), DP, DVI-D, Audio in, OPS		
External Control	RS232C in/out, RJ45, IR / Light sensor, Pixel sensor, USB 3.0		
Output	DP, External Speaker out		
Bezel Color	Black	Black	Black
Bezel Width	7.4 mm (T/L/R/B even)	7.4 mm (T/L/R/B even)	7.4 mm (T/L/R/B even)
Monitor Dimension (W x H x D)	1,230 x 714 x 32 mm	1,095 x 637 x 32 mm	949 x 555 x 32 mm
Weight (Head)	20.7 kg	15.6 kg	12.5kg
Monitor with Optional Stand Dimensions (W x H x D)	1,230 x 776 x 298 mm	1,095 x 700 x 298 mm	949 x 618 x 298 mm
Weight (Head+Stand)	22.1 kg	17.0 kg	13.9 kg
Carton Dimensions (W x H x D)	1,330 x 815 x 174 mm	1,197 x 760 x 134 mm	1,045 x 645 x 127 mm
Packed Weight	25.2 kg	18.7 kg	14.8 kg
VESA™ Standard Mount Interface	400 x 400 mm	400 x 400 mm	400 x 400 mm
SPECIAL FEATURES	Temperature sensor, Auto brightness sensor, Tile Mode, DPM select, DPM wake up, Energy saving, Smart energy saving, File play with USB, PIP/PBP(2), Internal memory 16GB (System 4GB + Available 12GB), Wi-Fi dongle ready (802.11n), USB cloning, Fail over		
ENVIRONMENTAL CONDITIONS	Operating Temperature	0°C to 40°C	0°C to 40°C
	Operating Humidity	10% to 80%	10% to 80%
	Power Supply	100-240V~, 50/60Hz	100-240V~, 50/60Hz
	Power Type	Built-In Power	Built-In Power
	Power Typ.	140 W (TBD)	125 W (TBD)
	Consumption Smart Energy Saving	100 W (TBD)	80 W (TBD)
STANDARD (CERTIFICATION)	Safety	UL / cUL / CB / TUV / KC	UL / cUL / CB / TUV / KC
	EMC	FCC Class "A" / CE / KCC	FCC Class "A" / CE / KCC
	ErP / Energy Star	NA / Yes (Energy Star 7.0)	NA / NA
MEDIA PLAYER COMPATIBILITY	OPS Type Compatible	Yes	Yes
	External Media Player Attachable	Yes (MP500/MP700)	Yes (MP500/MP700)
SOFTWARE COMPATIBILITY	SuperSign W/Lite	Yes	Yes
	SuperSign C	Yes	Yes
ACCESSORIES	Basic	Remote controller (2ea batteries included), Power cord, IR/Light sensor receiver, QSG, Regular book (depend on regional standard), HDMI cable	
	Optional	SP-2100 (External speaker), ST-200T, AN-WF500 (Wi-Fi USB dongle), KT-OPSA (OPS kits), KT-SP0 (Pixel sensor)	
UPC		7 191926 0629 6	7 19192 60628 9
			7 19192 60627 2

Connectivity

- 1 SPEAKER OUT
- 2 IR & LIGHT SENSOR
- 3 PIXEL SENSOR
- 4 HDMI
- 5 RS-232C IN
- 6 RS-232C OUT
- 7 AUDIO IN
- 8 AUDIO OUT
- 9 DVI-D IN
- 10 DP IN
- 11 DP OUT
- 12 RGB IN
- 13 LAN
- 14 USB 3.0
- 15 SD

55LS75C, 49LS75C, 42LS75C



Download LG Commercial Display Mobile App



Learnmore www.lgsolutions.com

YouTube [youtube.com/c/LGCommercialDisplay](https://www.youtube.com/c/LGCommercialDisplay)

LG may make changes to specifications and product descriptions without notice. Copyright © 2016 LG Electronics Inc. All rights reserved. "LG Life's Good" is a registered trademark of LG Corp. The names of products and brands mentioned here may be the trademarks of their respective owners.



Smart Platform with a Powerful Embedded System-on-Chip Standard Premium LS75C



Images on screen are simulated.

The LS75C, webOS signage, allows for customized apps that are easy to create using LG's Software Development Kit. The high-performance SoC reduces the total cost of ownership and simplify installation, allowing you to manage content more conveniently. The LS75C series strengthens capability in supporting various network-based protocols.

Key Features

Smart Platform



Quad Core SoC*

The high-performance SoC can execute several tasks at the same time and provides smooth content playback.



*System-on-Chip

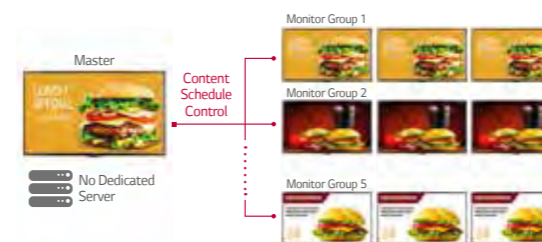
webOS 3.0

The webOS 3.0 platform provides powerful and convenient creation tools, including app development materials.



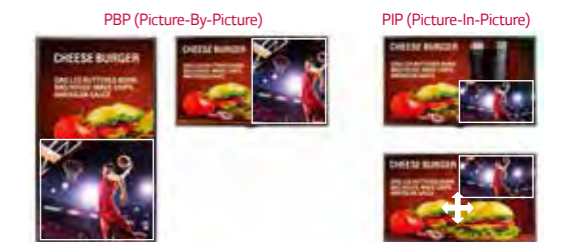
Group Manager

Content can be created, distributed and controlled by a signage without a dedicated PC or server.



PBP (Picture-By-Picture) / PIP (Picture-In-Picture)

PBP (Picture-By-Picture) and PIP (Picture-In-Picture) features enable you to compose various layouts for several digital devices.



Smart Platform with a Powerful Embedded System-on-Chip

Standard Premium LS75C Series



Screen Sizes

55"/49"/42"

LS75C Series

- Brightness : 700 cd/m²
- Bezel : 7.4 mm Even Bezel
- Depth : 32 mm
- Interface : HDMI (2) / DVI / DP / RGB / RJ45 / IR / Light Sensor / RS232C / Pixel sensor / USB 3.0 / Audio In



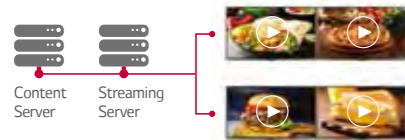
Images on screen are simulated.

Key Features

Support Network Protocol

IP Streaming Protocol

Various types of IP video streaming protocol are supported, such as RTSP/RTP, MMS, HLS and MPEG-2 TS*.



*RTSP (Real-Time Streaming Protocol), RTP (Real-time Transport Protocol), MMS (Microsoft Media Server), HLS (http live streaming)

Secure Communication Protocol

By supporting HTTPS* protocol, communication between server and signage is more secure.



*HTTPS: Hypertext Transfer Protocol over Secure Socket Layer

Proxy Server

Web access speed and security can be improved by supporting Proxy Server (A server that acts as an intermediary for requests from clients seeking resources from other servers.)



Wireless Solution

Mirroring

Content sharing is more convenient on a Wi-Fi network.



Soft AP

The LS75C with Soft AP software can operate as a wireless access point for mobile devices.



Simple Installation

Installation has been simplified by removing the external media player and Ethernet/RS232C cables.



Wi-Fi (removing Ethernet or RS232C cables)
802.11n (2.4 GHz/5 GHz)

Supportive Convenience

BEACON

With BEACON and Bluetooth Low Energy (BLE) supported by LS75C*, retail stores can provide coupons and information in real time. When Wi-Fi dongle is connected, the BEACON is available.



*LS75C is enhanced to support iBeacon** and Eddystone***
** iBeacon: Bluetooth Low Energy beacon profile released by Apple in 2013
*** Eddystone: Bluetooth Low Energy beacon profile released by Google in 2015

Industrial Design

Slimmer Even Bezel & Depth

The thinner bezel & depth allows a perfect fit for a sleek look.



Detachable Logo

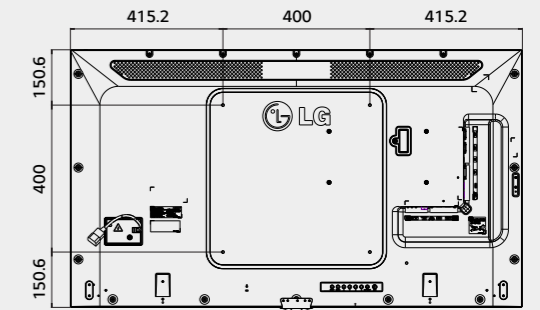
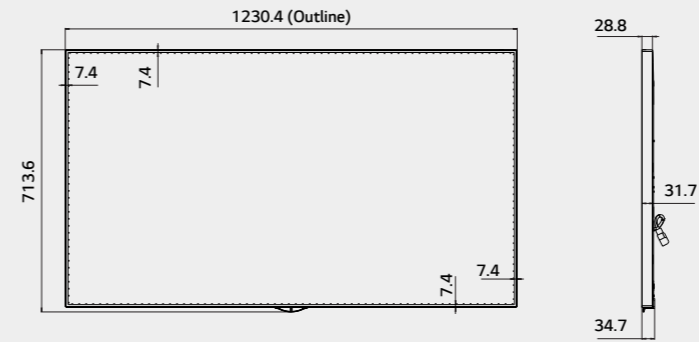
Portrait mode allows the logo to be positioned in the desired setting.



Dimensions (unit: mm)

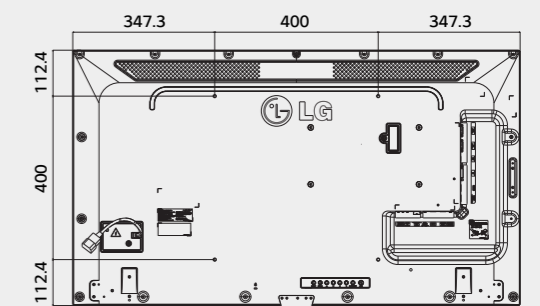
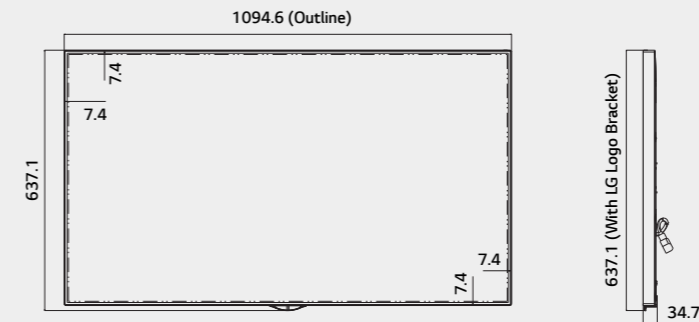
55"

1,230 x 714 x 32 / 20.7 kg



49"

1,095 x 637 x 32 / 15.6 kg



42"

949 x 555 x 32 / 12.5 kg

